



US00D579329S

(12) **United States Design Patent**
Sweeton et al.

(10) **Patent No.:** **US D579,329 S**

(45) **Date of Patent:** **** Oct. 28, 2008**

(54) **SPRAYER SHROUD**

(75) Inventors: **Steve L. Sweeton**, Lake Winnebago, MO (US); **David L. Dejong**, Ogden, UT (US)

(73) Assignee: **MeadWestvaco Calmar, Inc.**, Grandview, MO (US)

(**) Term: **14 Years**

(21) Appl. No.: **29/275,440**

(22) Filed: **Dec. 27, 2006**

(51) **LOC (8) Cl.** **09-07**

(52) **U.S. Cl.** **D9/448**

(58) **Field of Classification Search** D9/682,
D9/448, 447, 435, 434; D6/542; D23/227,
D23/226, 213; 222/255, 251, 383.3, 383.1,
222/382

See application file for complete search history.

(56) **References Cited**

U.S. PATENT DOCUMENTS

D293,707 S	1/1988	Tada	
D326,707 S *	6/1992	Silvenis et al.	D23/226
D327,222 S *	6/1992	Fuchs	D9/435
D332,652 S *	1/1993	Foster et al.	D23/226
D352,546 S *	11/1994	Silvenis et al.	D23/226
D354,226 S *	1/1995	Foster et al.	D9/448
D358,198 S *	5/1995	Wadsworth	D23/226
D366,692 S *	1/1996	Wadsworth	D23/213
D377,602 S *	1/1997	Wadsworth	D9/448
D381,581 S *	7/1997	Wadsworth	D9/448
D385,492 S *	10/1997	Foster et al.	D9/448
D394,009 S *	5/1998	Foster et al.	D9/448
D396,265 S *	7/1998	Alvern	D23/227
D406,762 S *	3/1999	Durliat	D9/448
D409,915 S *	5/1999	Durliat et al.	D9/448
D409,917 S *	5/1999	Wadsworth et al.	D9/448
D419,875 S *	2/2000	Wadsworth et al.	D9/448
D420,914 S	2/2000	Cummings	
D421,388 S	3/2000	Cummings	
D422,216 S	4/2000	Brozell	
D423,934 S *	5/2000	Brozell	D9/448

(Continued)

Primary Examiner—Gary D. Watson

Assistant Examiner—Susan B Hattan

(74) *Attorney, Agent, or Firm*—Gordon & Jacobson, PC

(57) **CLAIM**

The ornamental design for a sprayer shroud, as shown and described.

DESCRIPTION

FIG. 1 is a front side perspective view of a first embodiment of a sprayer shroud;

FIG. 2 is a back side perspective view of the first embodiment of the sprayer shroud;

FIG. 3 is a top view of the first embodiment of the sprayer shroud;

FIG. 4 is a side view of the first embodiment of the sprayer shroud, the other side being a mirror image thereof;

FIG. 5 is a front view of the first embodiment of the sprayer shroud;

FIG. 6 is a rear view of the first embodiment of the sprayer shroud;

FIG. 7 is a front side perspective view of a second embodiment of the sprayer shroud;

FIG. 8 is a back side perspective view of the second embodiment of the sprayer shroud;

FIG. 9 is a top view of the second embodiment of the sprayer shroud;

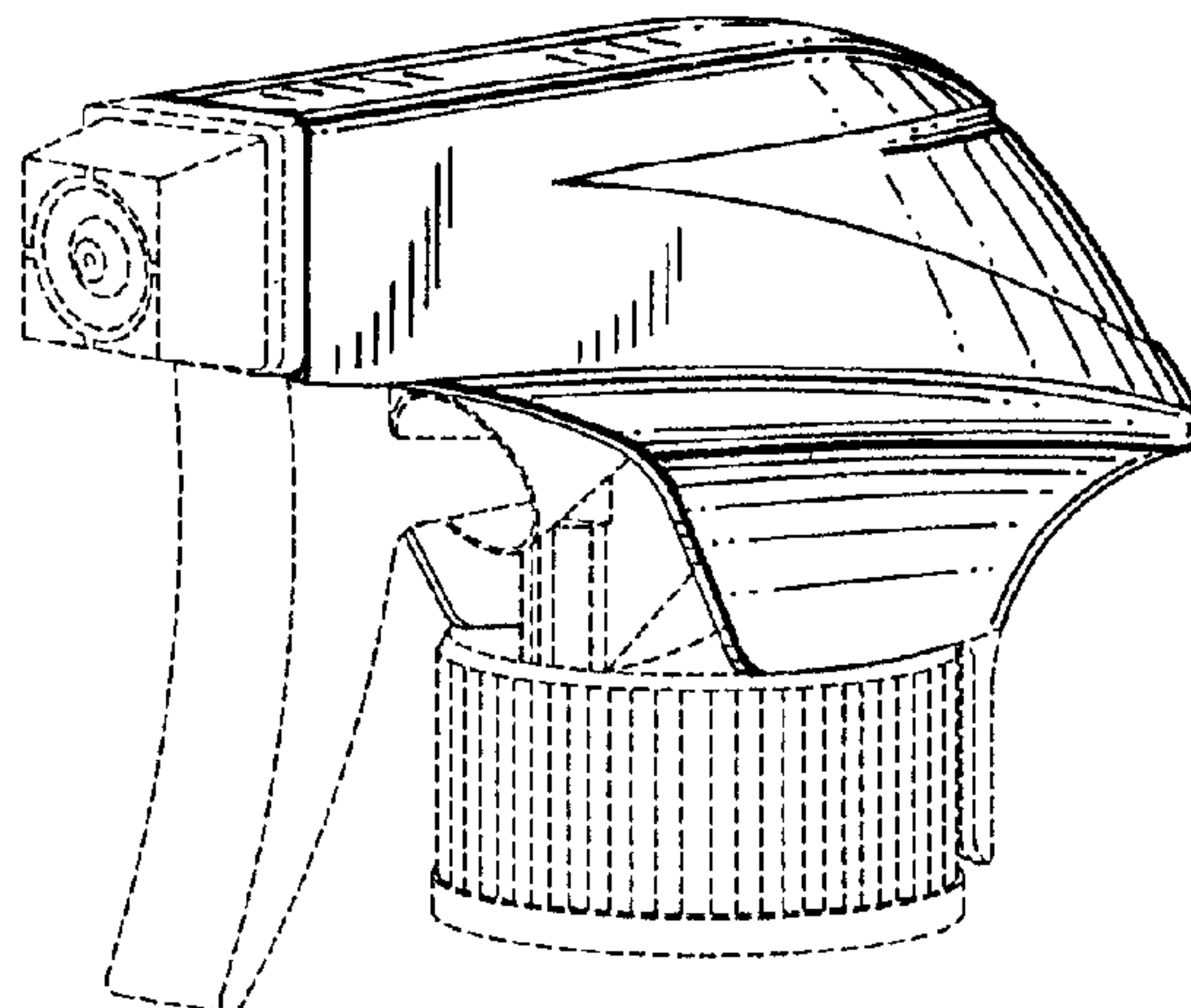
FIG. 10 is a side view of the second embodiment of the sprayer shroud, the other side being a mirror image thereof;

FIG. 11 is a front view of the second embodiment of the sprayer shroud; and,

FIG. 12 is a rear view of the second embodiment of the sprayer shroud.

In the drawings, the dash-dot-dash broken lines indicate the boundaries of the claim; the evenly spaced broken lines depict unclaimed environment. The broken lines form no part of the claimed design.

1 Claim, 6 Drawing Sheets



US D579,329 S

Page 2

U.S. PATENT DOCUMENTS

D424,939 S	5/2000	Fan et al.					
D435,448 S *	12/2000	Trepina et al.	D9/448			
D442,088 S *	5/2001	Trepina et al.	D9/448			
D454,787 S	3/2002	Cummings					
D456,262 S	4/2002	Cummings					
6,669,058 B1 *	12/2003	Sweeton	222/153.13			
D494,866 S *	8/2004	Guala	D9/448			
D495,399 S *	8/2004	Guala	D23/213			
D499,024 S *	11/2004	Sweeton	D9/448			
D508,852 S *	8/2005	Arminak	D9/448			
D519,371 S *	4/2006	Hornsby et al.	D9/448			
7,032,777 B2 *	4/2006	Good et al.	222/1			
D520,872 S *	5/2006	Paas et al.	D9/448			
D525,524 S *	7/2006	Sweeton	D9/448			
D530,201 S *	10/2006	Sweeton	D9/448			
D535,560 S *	1/2007	Sweeton	D9/448			
D541,652 S *	5/2007	Arminak	D9/448			
7,219,848 B2 *	5/2007	Sweeton	239/102.2			
2005/0082311 A1 *	4/2005	Good et al.	222/1			
2006/0091160 A1 *	5/2006	Sweeton	222/333			
2006/0153707 A1 *	7/2006	Sweeton et al.	417/411			
2007/0215724 A1 *	9/2007	Sweeton	239/525			

* cited by examiner

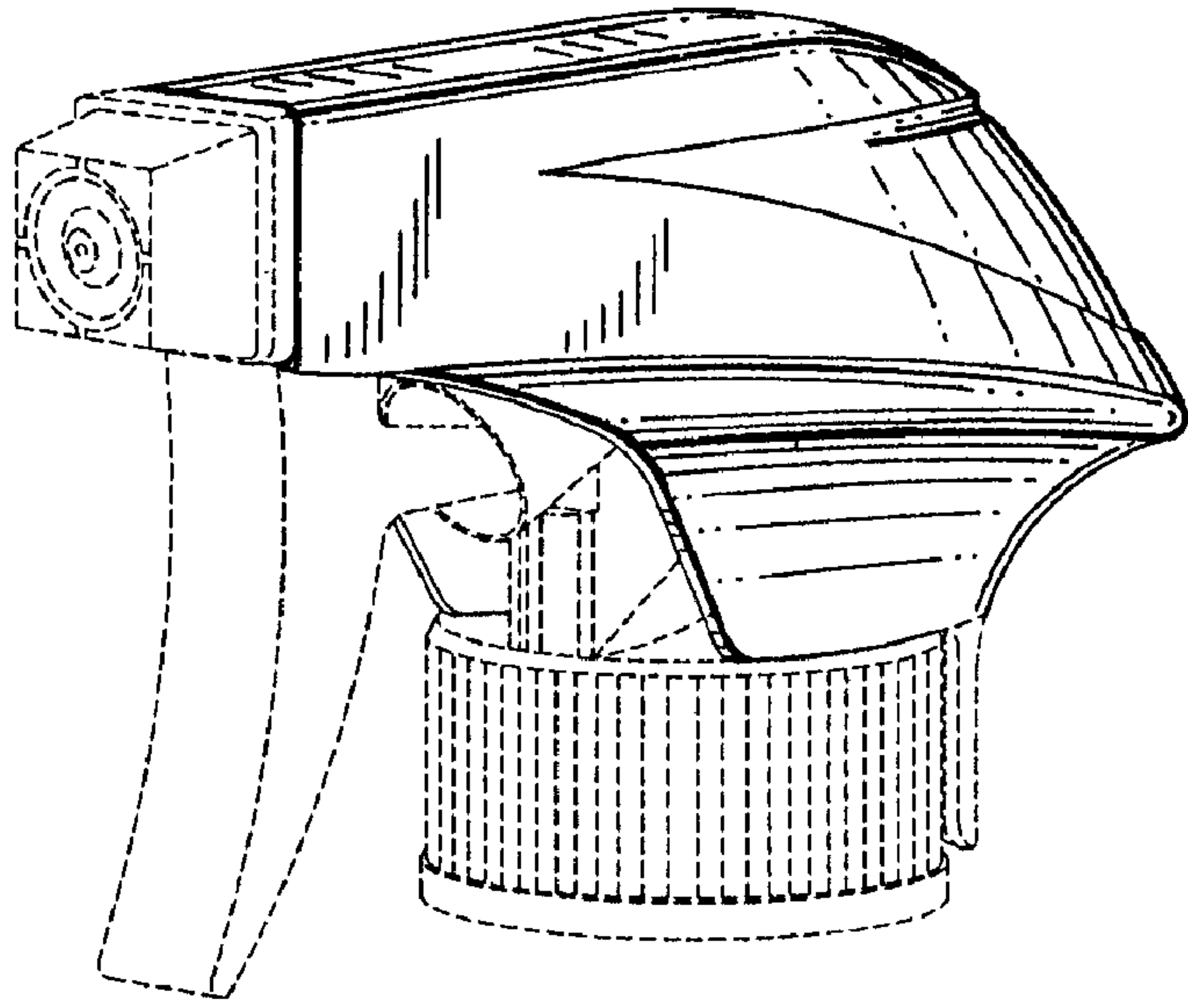


FIG. 1

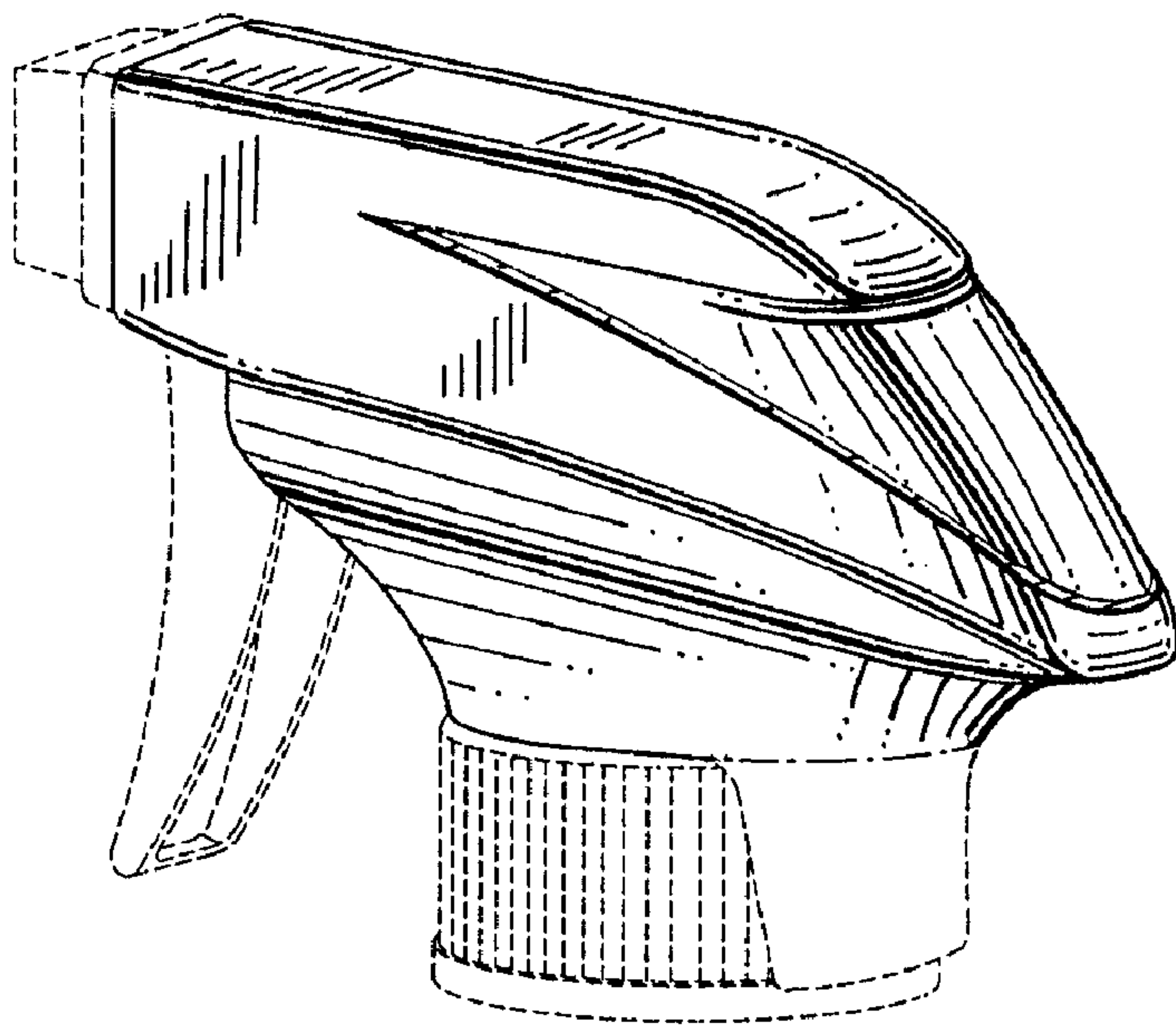


FIG. 2

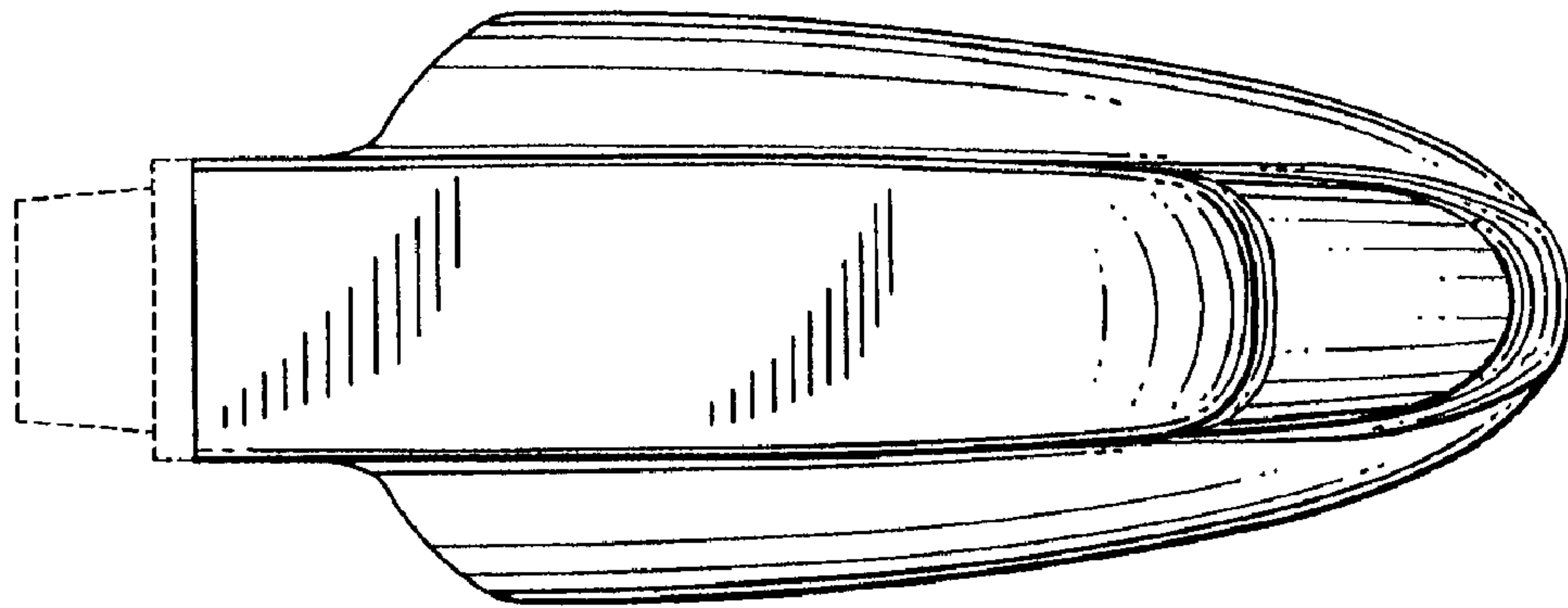


FIG. 3

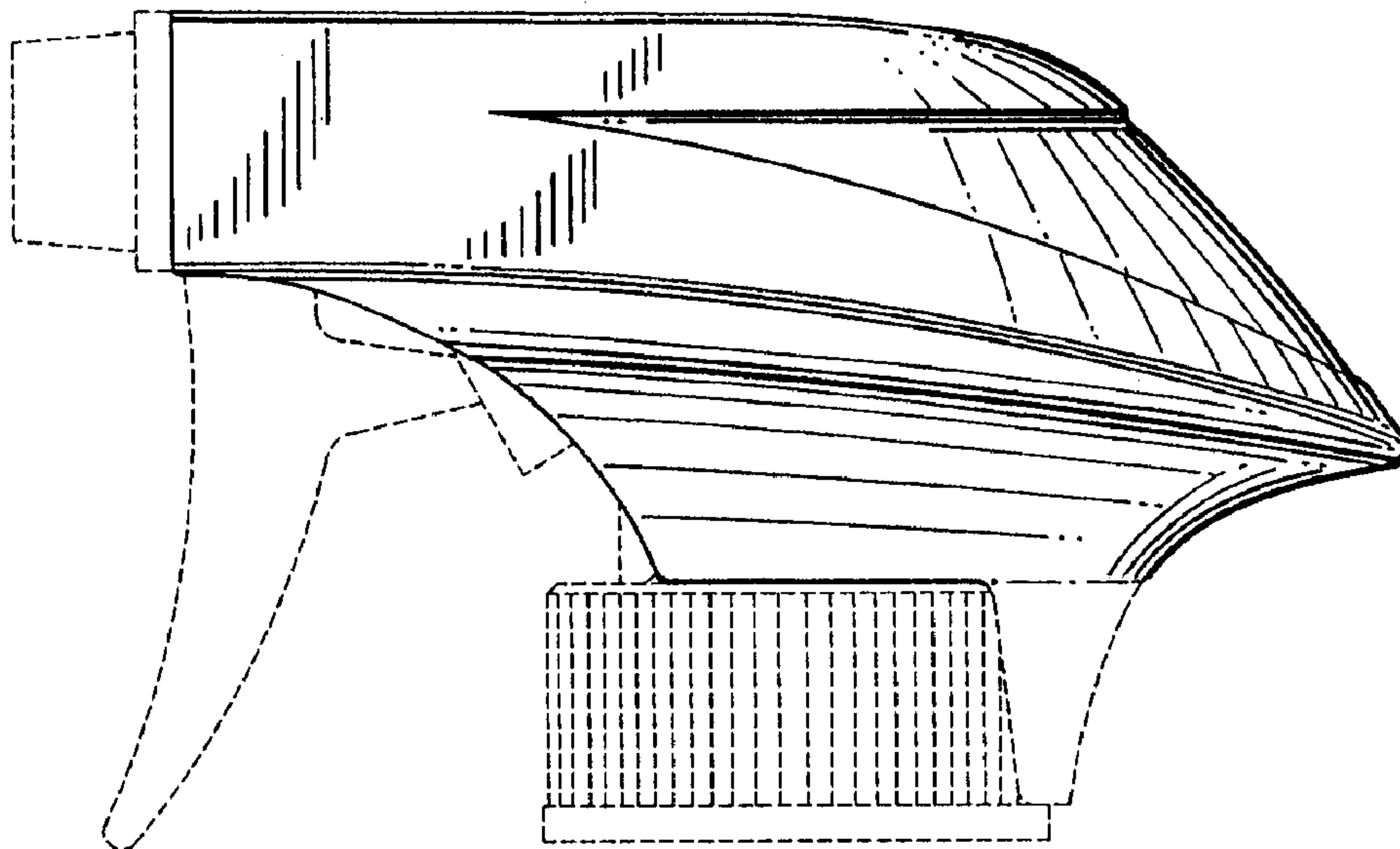


FIG. 4

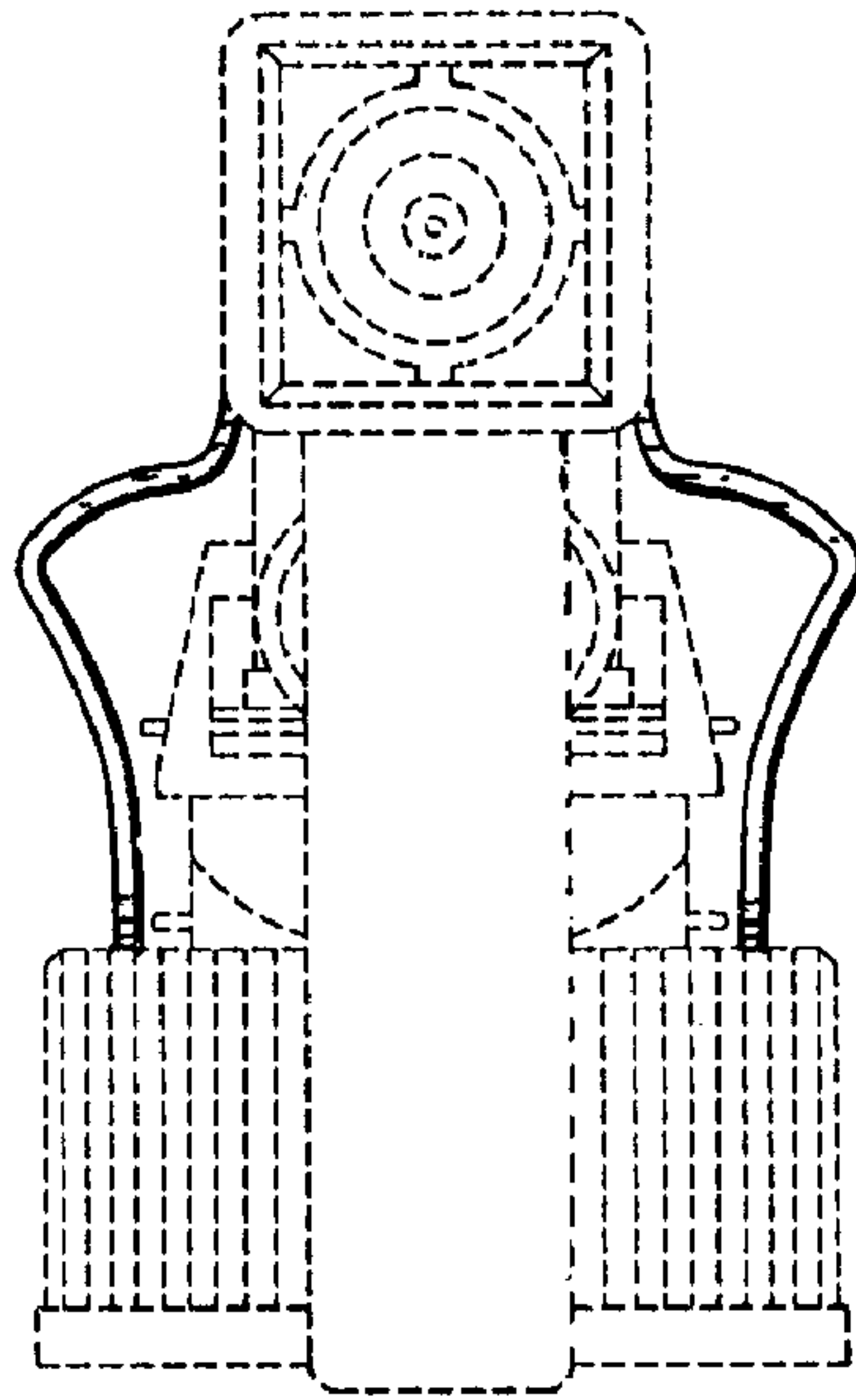


FIG. 5

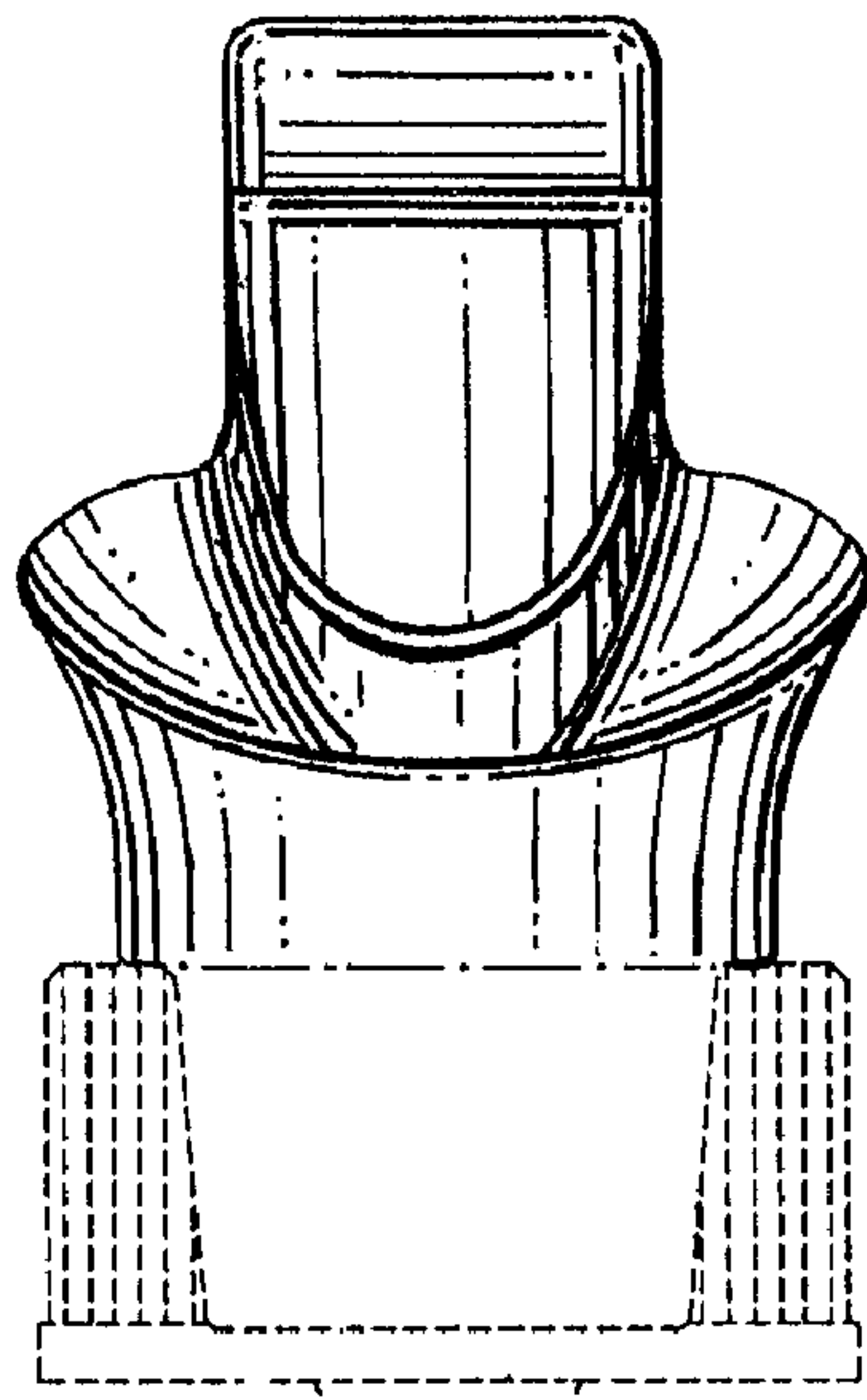


FIG. 6

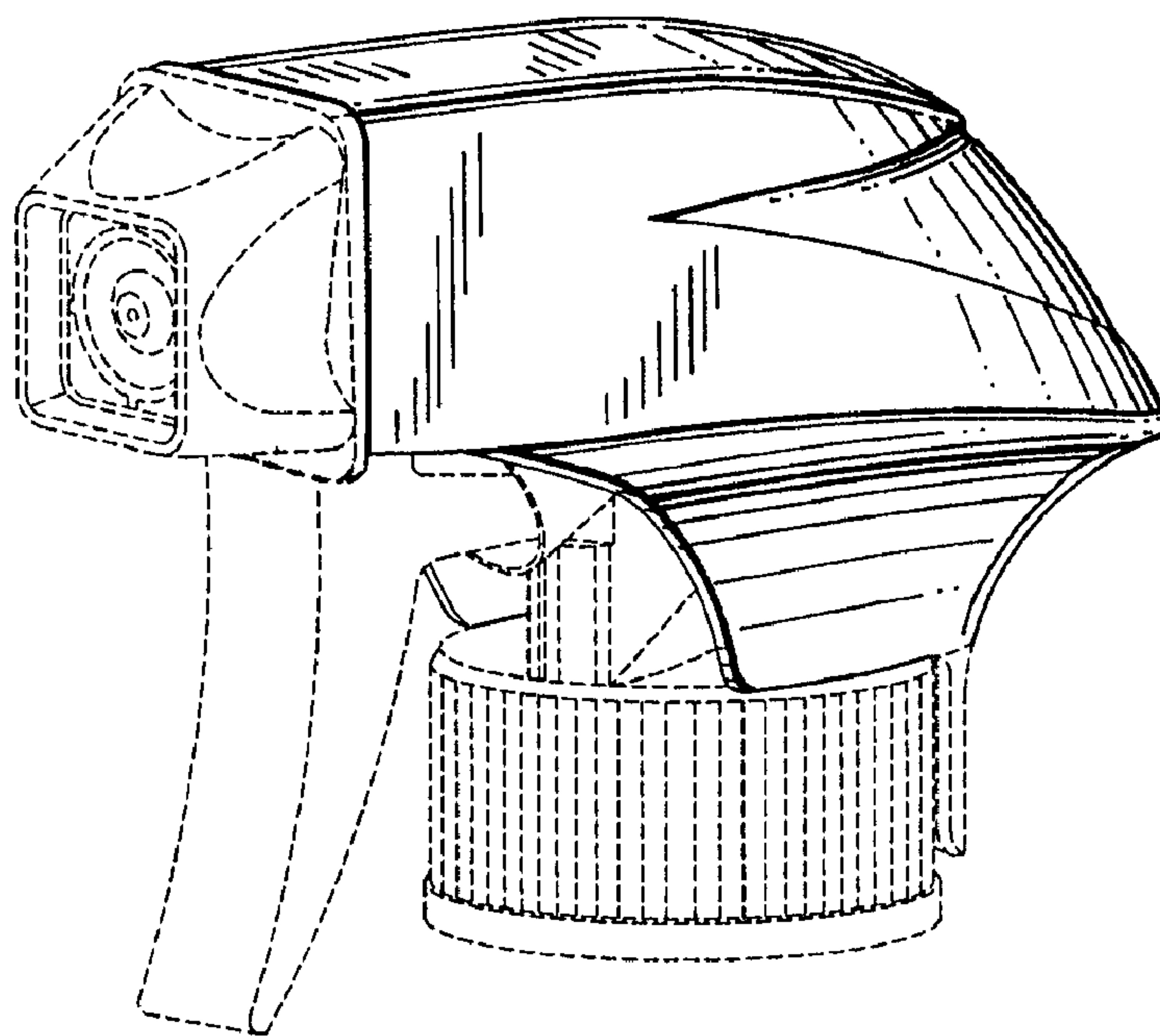


FIG. 7

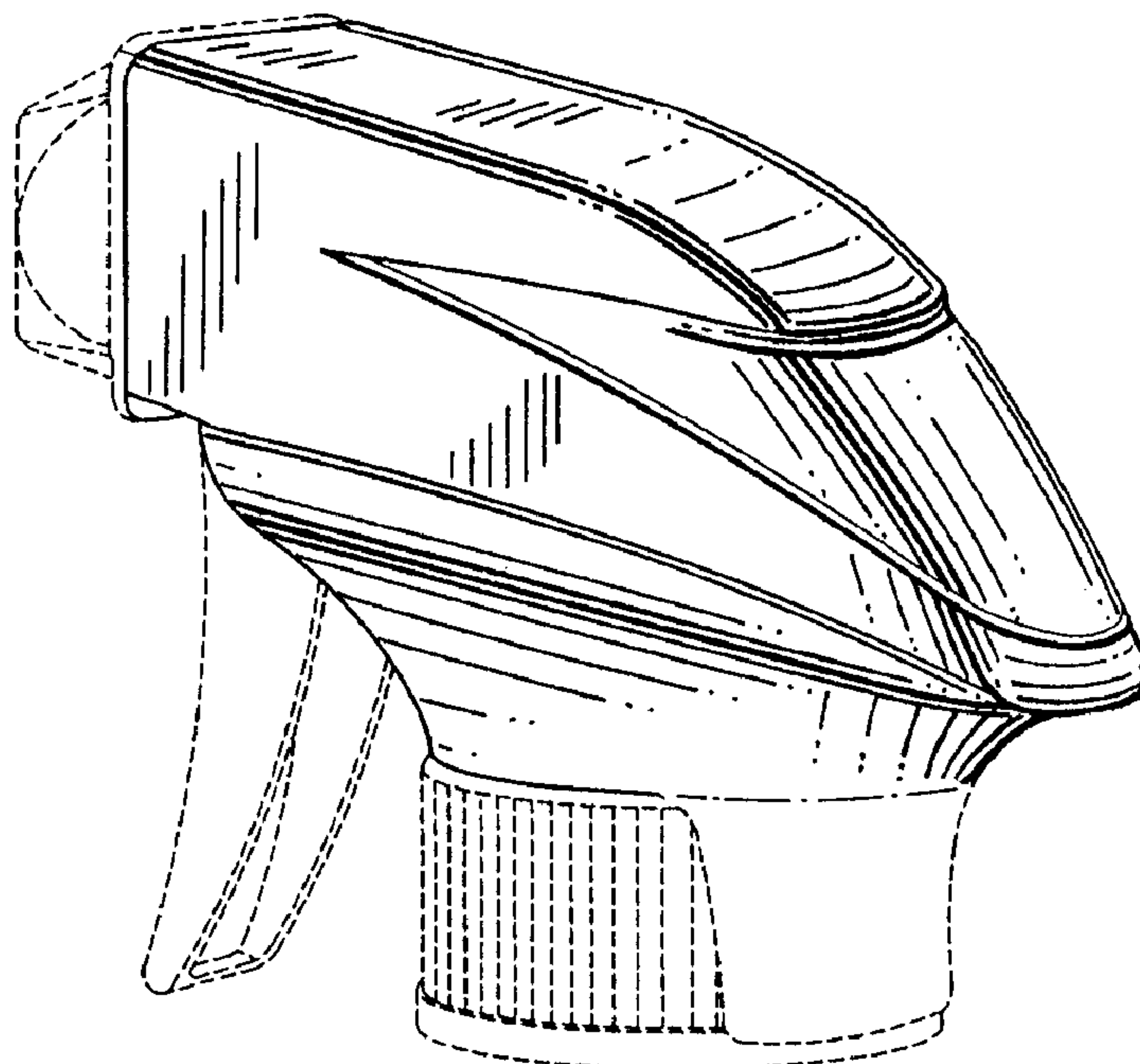


FIG. 8

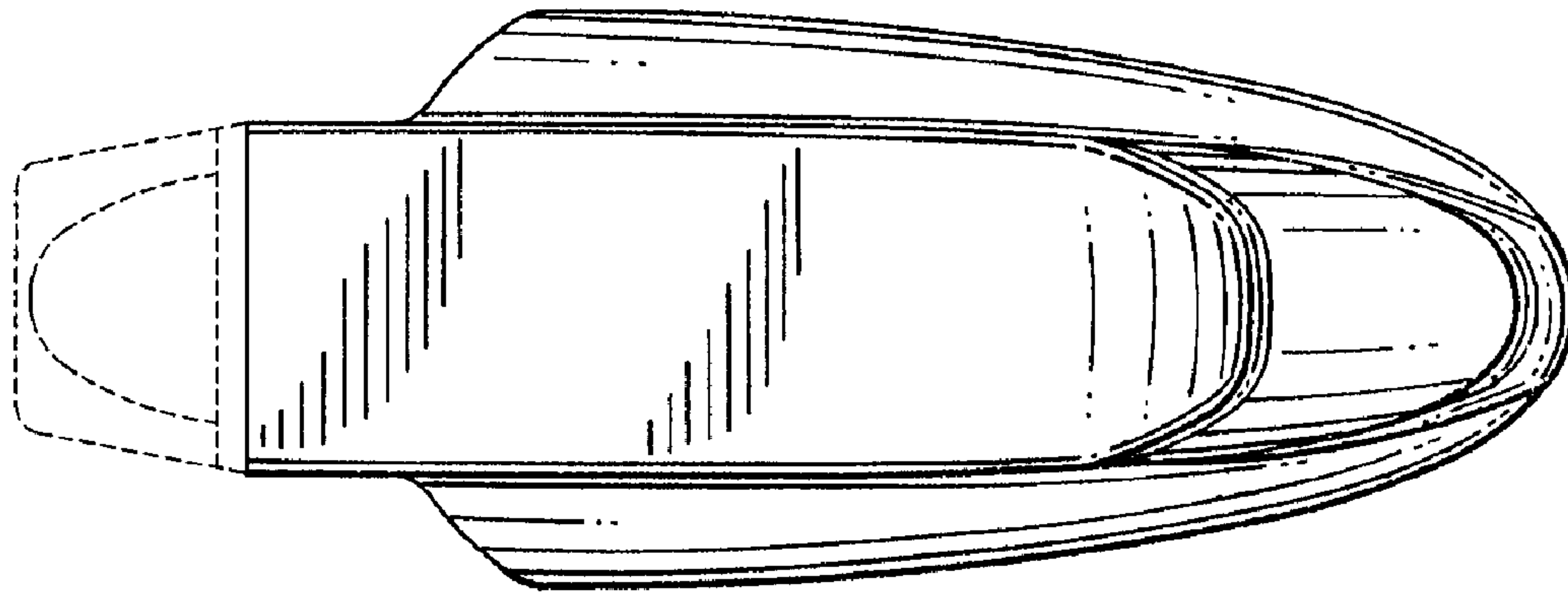


FIG. 9

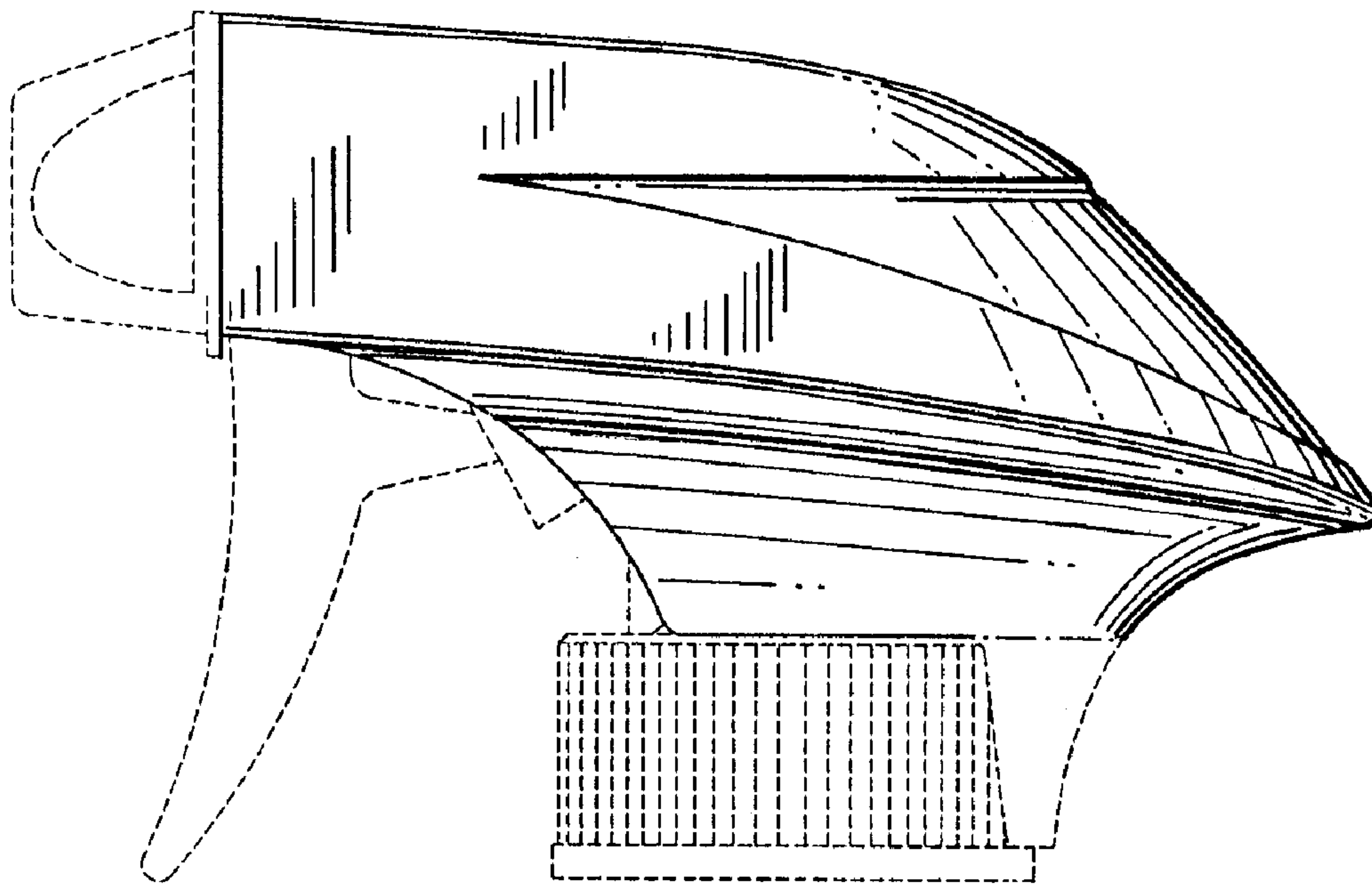


FIG. 10

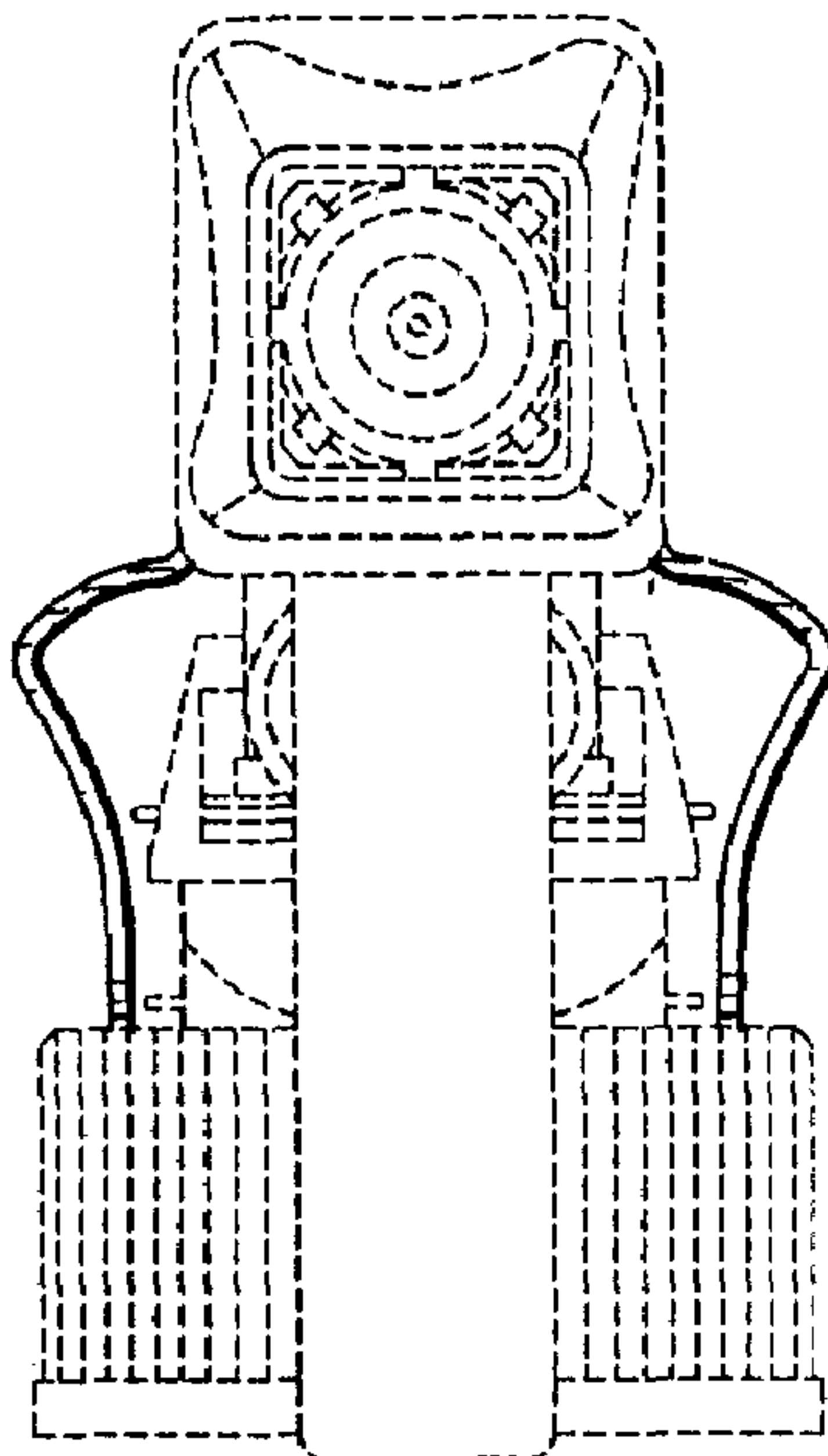


FIG. 11

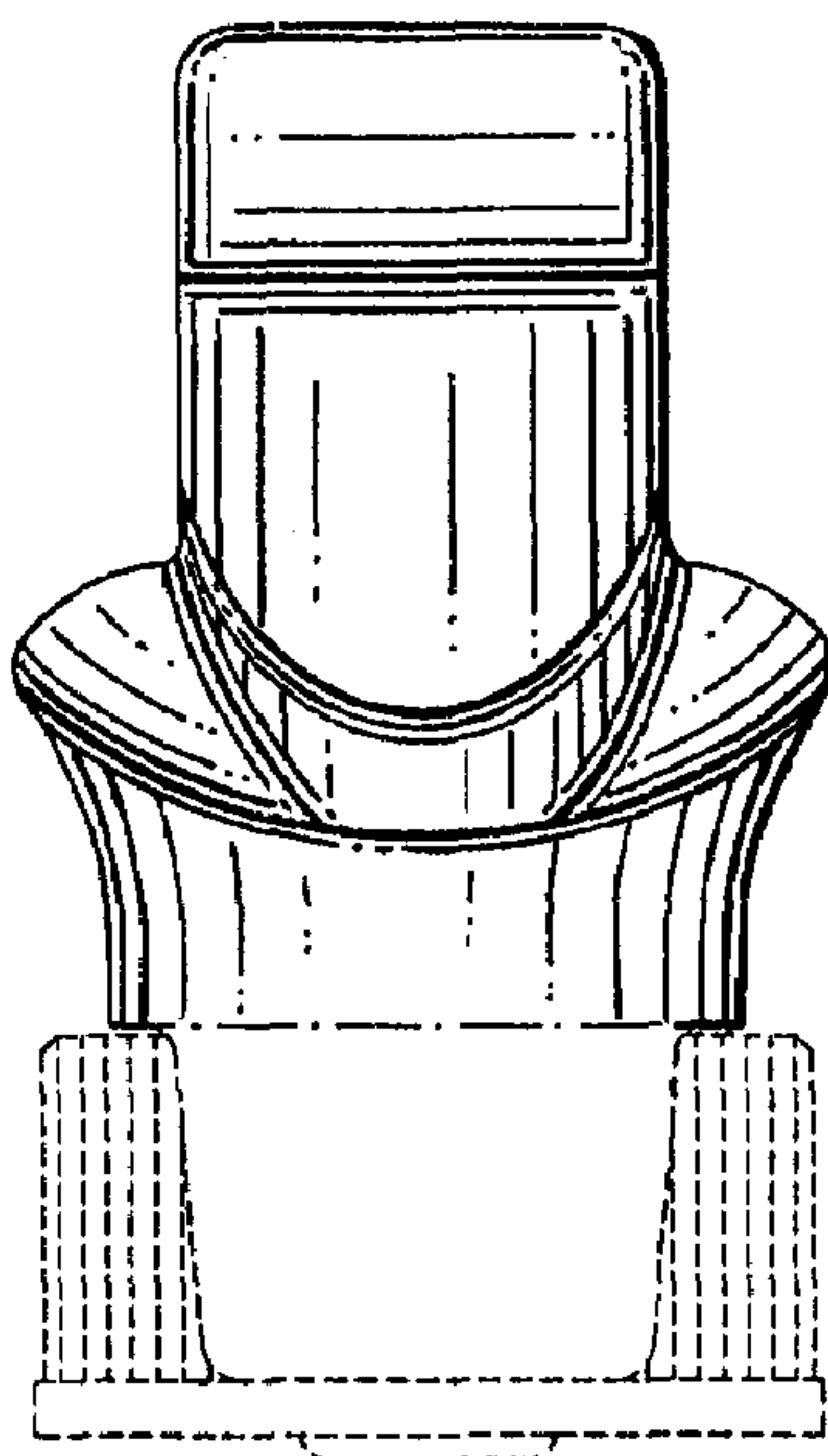


FIG. 12