



US00D579327S

(12) **United States Design Patent**
Swann

(10) **Patent No.:** **US D579,327 S**
(45) **Date of Patent:** **** Oct. 28, 2008**

(54) **BEVERAGE BUCKET CLAMSHELL
PACKAGING TRAY**

(76) Inventor: **Jack C. Swann**, 80717 Turnberry Ct.,
Indio, CA (US) 92201

(**) Term: **14 Years**

(21) Appl. No.: **29/283,729**

(22) Filed: **Aug. 22, 2007**

(51) **LOC (8) Cl.** **09-03**

(52) **U.S. Cl.** **D9/428; D9/429**

(58) **Field of Classification Search** D9/414-416,
D9/418, 420, 424-432, 433, 443, 527-530,
D9/704, 730-734, 751-757; D7/354, 360,
D7/505, 553.1, 540-545, 554, 565-567, 570,
D7/574, 584-586, 590, 604, 629; D30/123,
D30/129-133; 426/115, 122, 394; 206/162,
206/170, 216, 469, 471, 497, 508, 536, 557,
206/804, 815; 220/4.21-4.22, 266, 350,
220/470, 471, 495.01, 557, 574, 618, 793;
229/117.14, 117.18, 123.1, 125.35, 220,
229/406, 362.4; D3/203.1-203.3, 304, 314,
D3/294, 323; 221/250, 260, 267, 281, 299,
221/807; 40/310, 665

See application file for complete search history.

(56) **References Cited**

U.S. PATENT DOCUMENTS

D285,638 S * 9/1986 Trivison D7/557
D327,970 S * 7/1992 Watanabe et al. D3/313
D332,396 S * 1/1993 Bell D9/731
D364,564 S * 11/1995 Moore D9/429
D384,275 S * 9/1997 DuBois et al. D9/755

D416,433 S * 11/1999 Fletcher et al. D7/359
D421,695 S * 3/2000 Krupa et al. D7/557
D483,259 S * 12/2003 Brown D9/737
D486,732 S * 2/2004 Borkoski D9/430
D492,593 S * 7/2004 Dutton D9/760
D499,644 S * 12/2004 Sarnoff D9/429
D503,881 S * 4/2005 Govrik et al. D9/755
D517,374 S * 3/2006 Robinson D7/625
D527,628 S * 9/2006 Patel D9/429
D546,127 S * 7/2007 Vovan D7/552.2
D566,474 S * 4/2008 Ray D7/554.1

* cited by examiner

Primary Examiner—Robert M. Spear

Assistant Examiner—Susan E Krakower

(74) *Attorney, Agent, or Firm*—Fulwider Patton LLP

(57) **CLAIM**

The ornamental design for a beverage bucket clamshell pack-
aging tray, as shown and described.

DESCRIPTION

FIG. 1 is an elevated perspective view of my new design;

FIG. 2 is a front view thereof;

FIG. 3 is a rear view thereof;

FIG. 4 is a top view thereof;

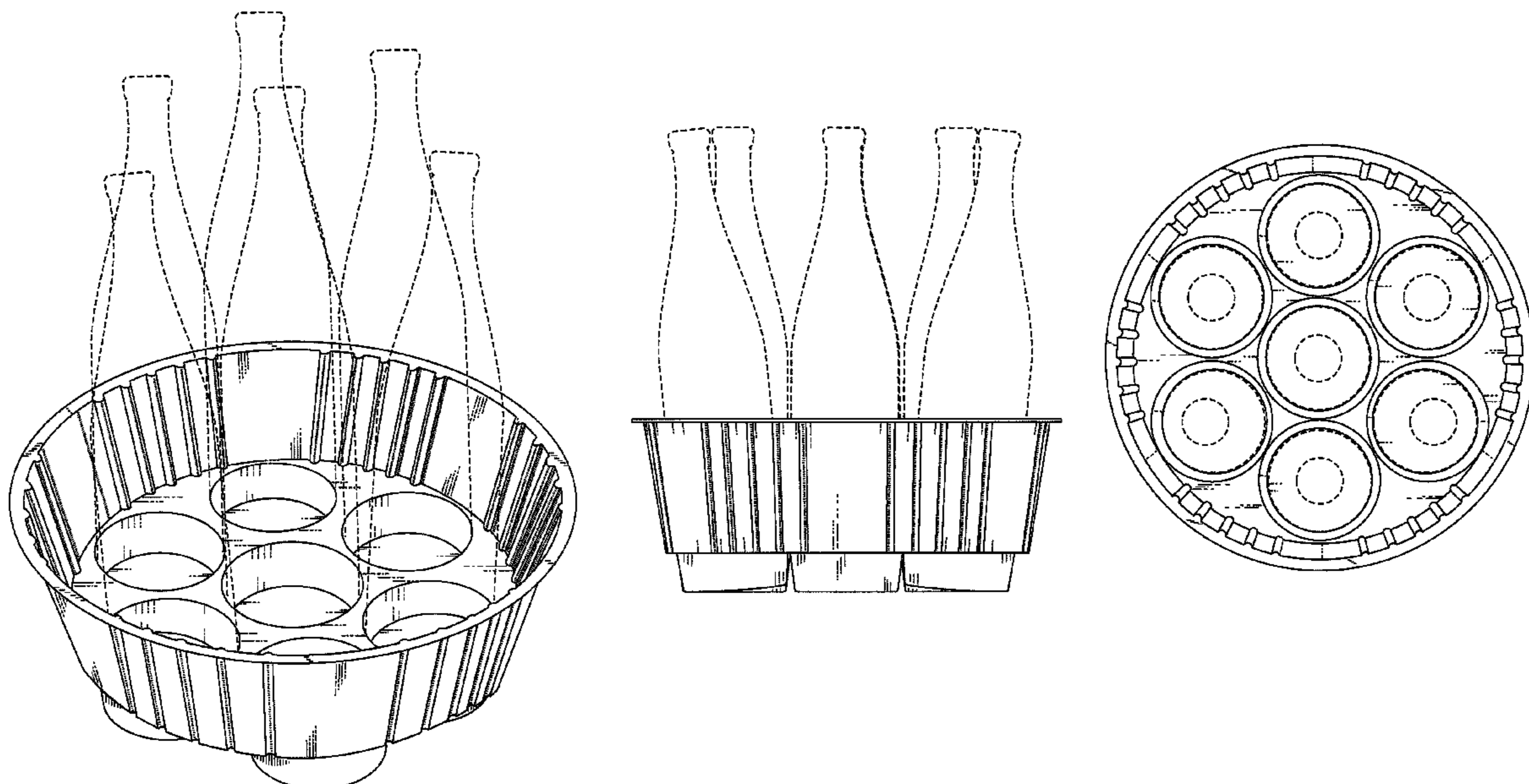
FIG. 5 is a bottom view thereof;

FIG. 6 is a right side view thereof; and,

FIG. 7 is a left side view thereof.

The broken lines in the drawings represent environmental
structure and form no part of the claimed design.

1 Claim, 4 Drawing Sheets



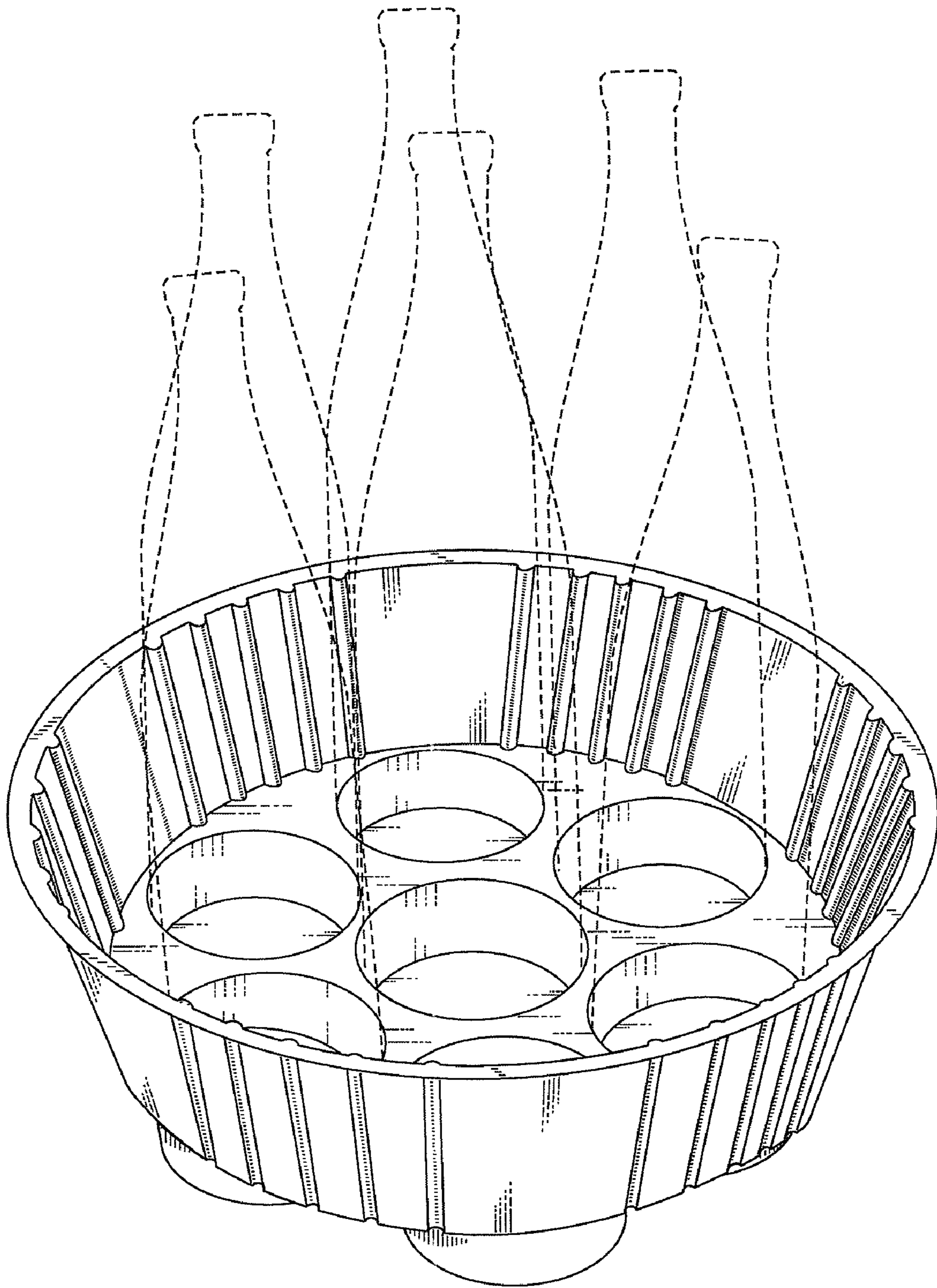


FIG. 1

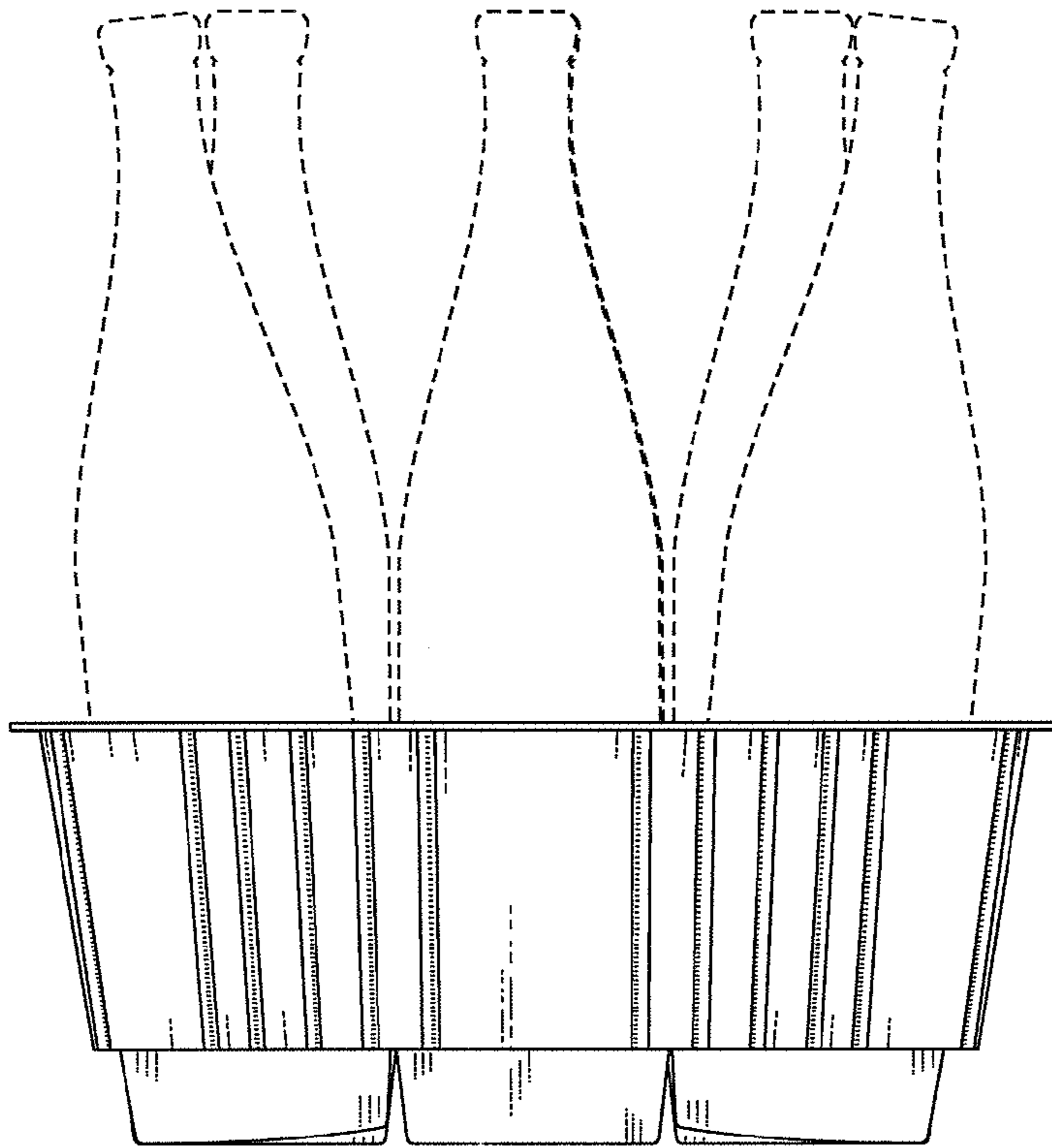


FIG. 2

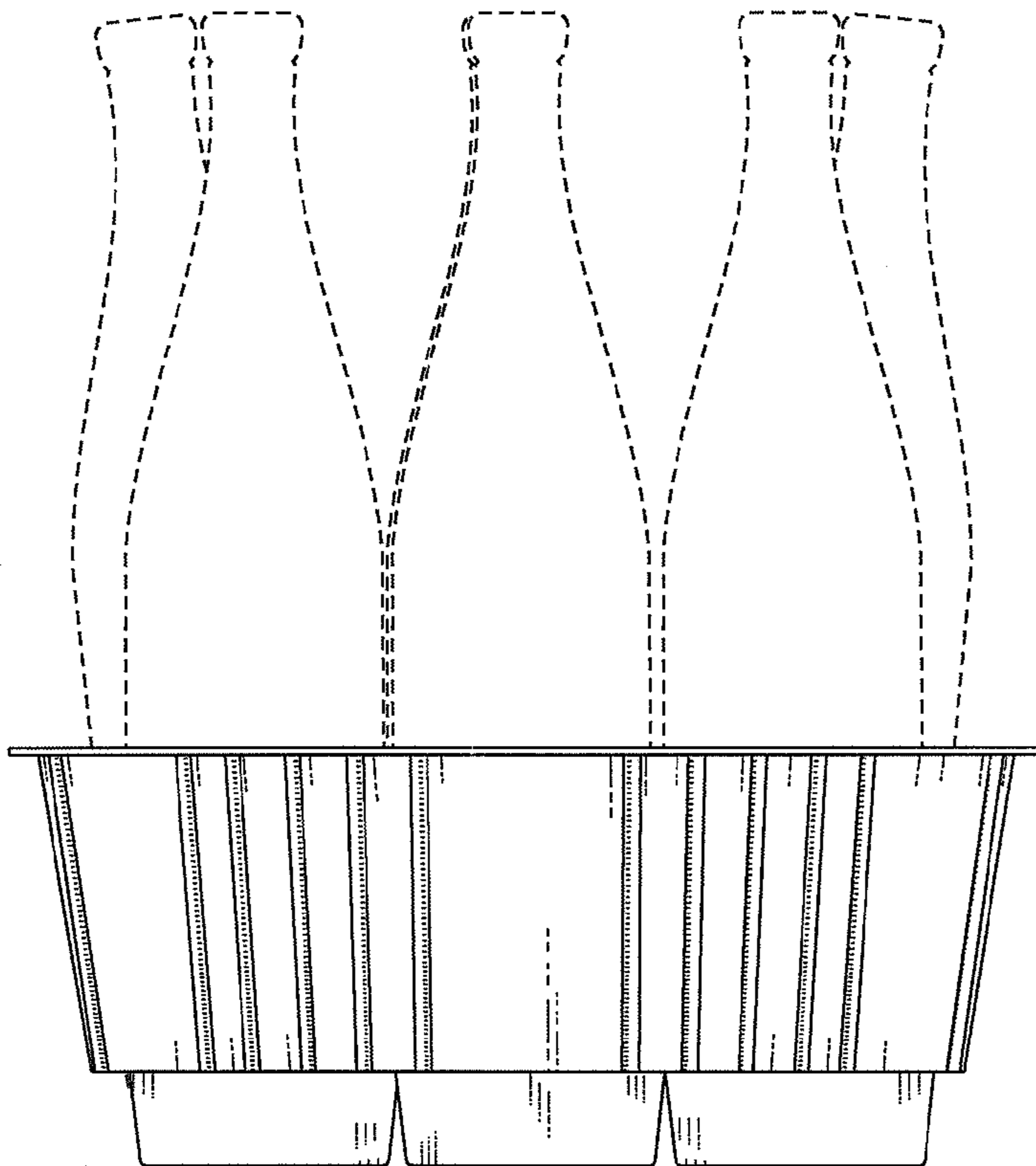


FIG. 3

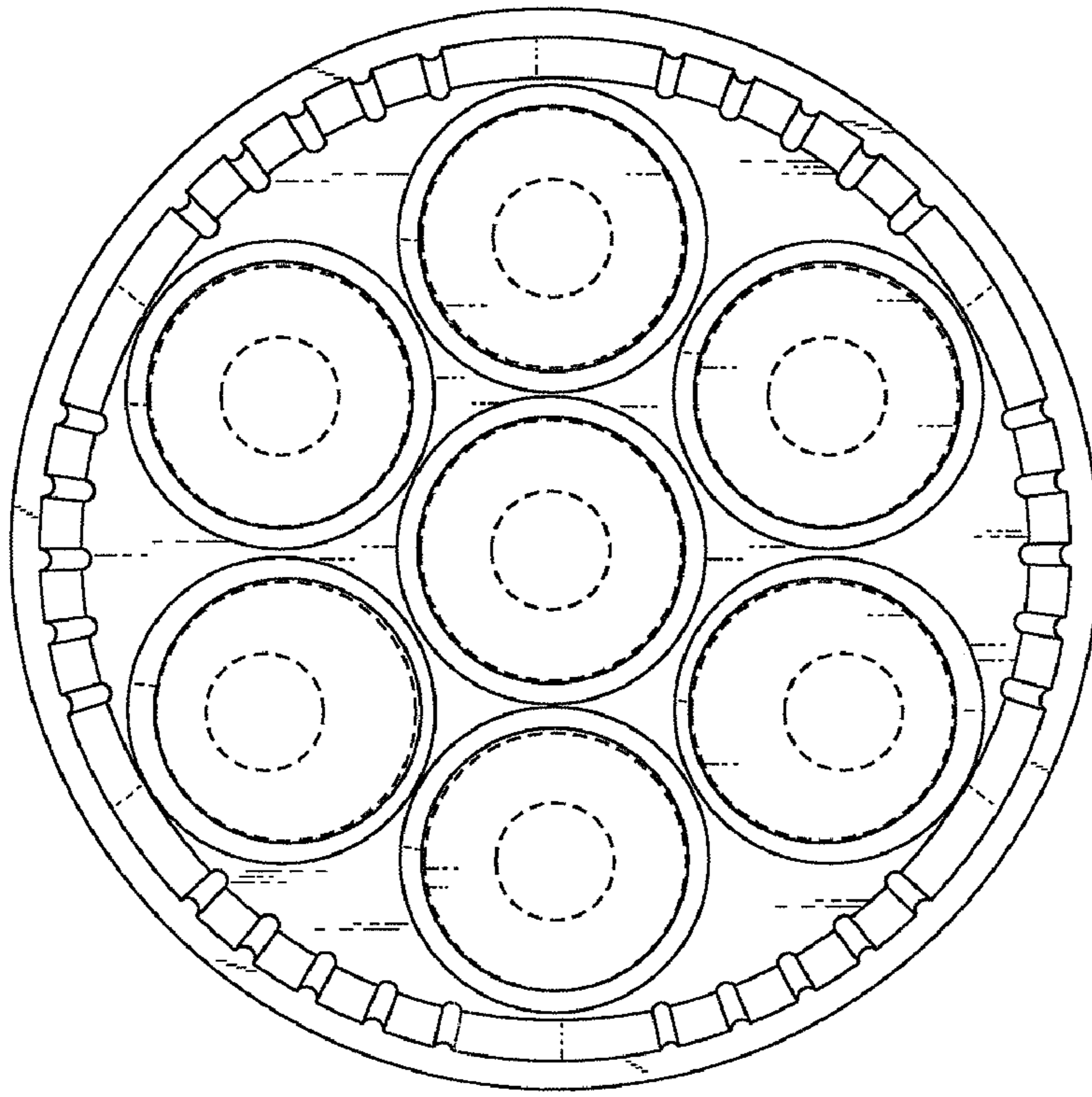


FIG. 4

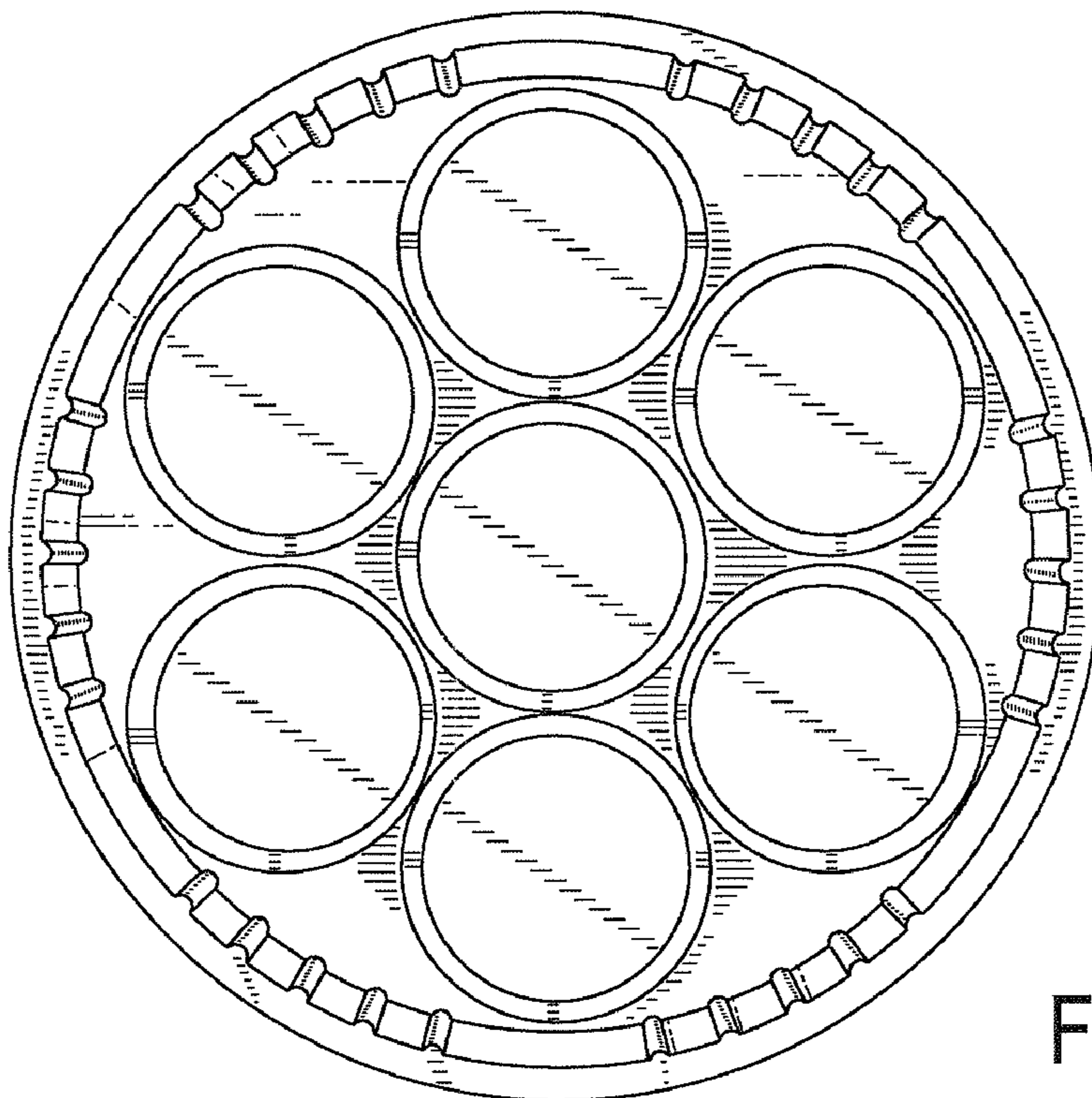


FIG. 5

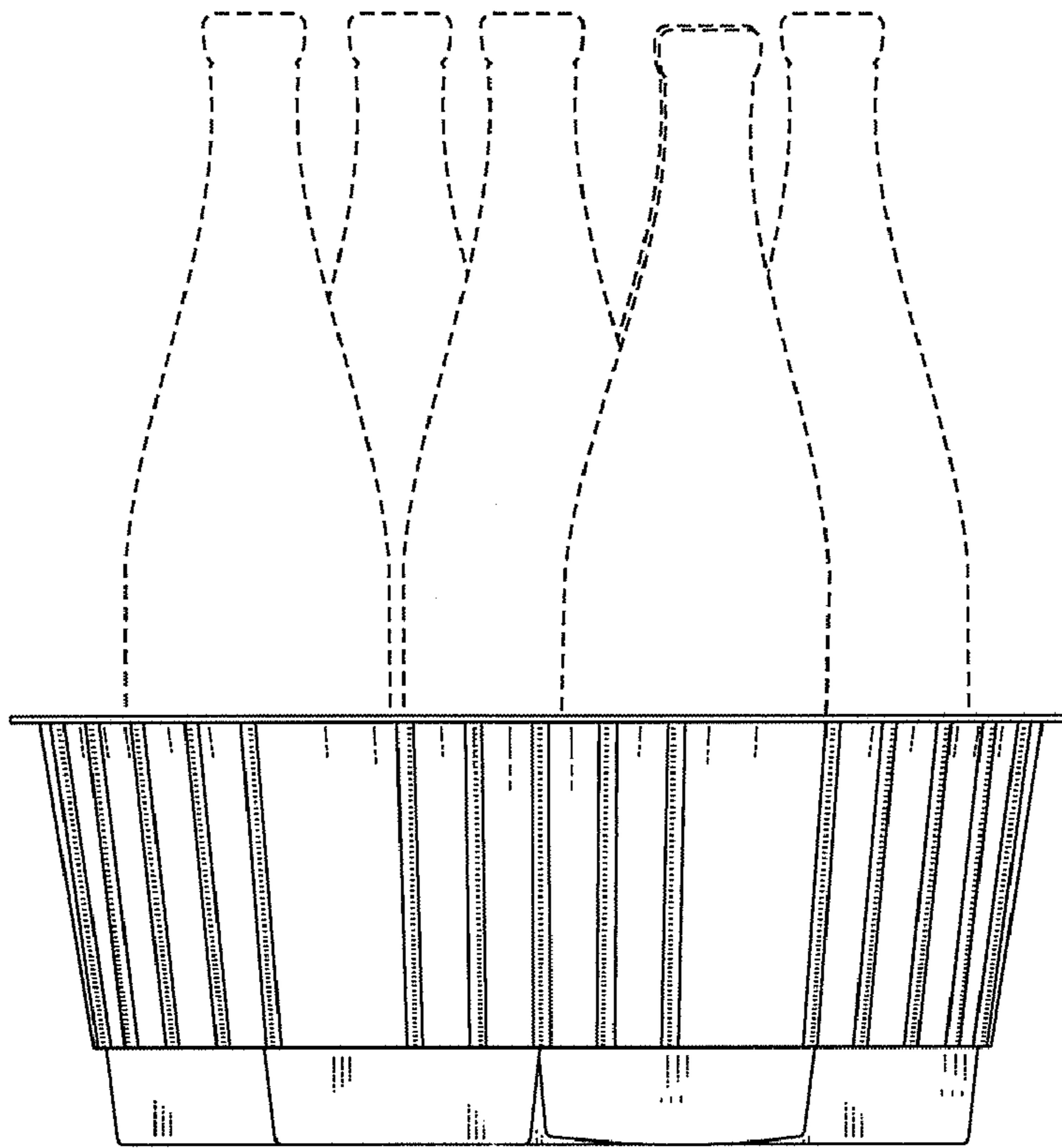


FIG. 6

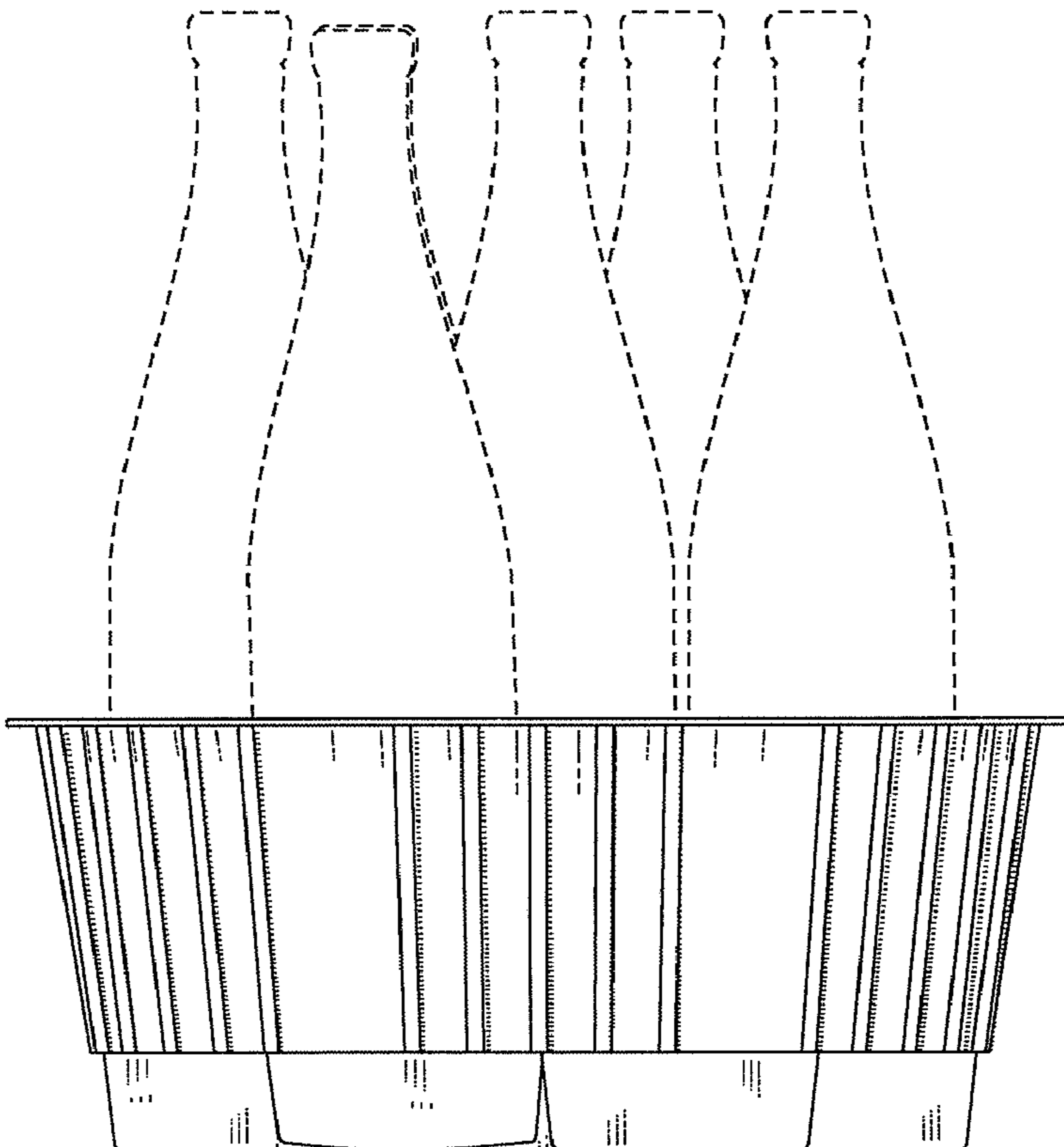


FIG. 7