



US00D579325S

(12) **United States Design Patent**  
**Bray et al.**

(10) **Patent No.:** **US D579,325 S**  
(45) **Date of Patent:** **\*\* Oct. 28, 2008**

(54) **PACK FOR SMOKING ARTICLES**

(75) Inventors: **Andrew Jonathan Bray**, Southampton (GB); **Adrian Roy Stewart-Cox**, Southampton (GB); **Alan Douglas Tearle**, Southampton (GB); **Steven Holford**, Southampton (GB)

(73) Assignee: **British American Tobacco (Investments) Limited**, London (GB)

(\*\*) Term: **14 Years**

(21) Appl. No.: **29/299,522**

(22) Filed: **Dec. 28, 2007**

**Related U.S. Application Data**

(63) Continuation of application No. 10/507,588, filed as application No. PCT/GB03/01026 on Mar. 11, 2003, now Pat. No. 7,370,756.

(30) **Foreign Application Priority Data**

Mar. 12, 2002 (GB) ..... 0205697.6

(51) **LOC (8) Cl.** ..... **09-03**

(52) **U.S. Cl.** ..... **D9/423**

(58) **Field of Classification Search** ..... D9/420, D9/423, 425, 432, 607; 206/242, 245, 265, 206/266, 268, 271, 273; 229/101, 125.21, 229/125.37, 145, 212, 225, 160.1; D27/186, D27/189

See application file for complete search history.

(56) **References Cited**

**U.S. PATENT DOCUMENTS**

4,850,482 A \* 7/1989 Campbell ..... 206/273  
5,845,770 A \* 12/1998 James et al. .... 206/268  
D421,151 S \* 2/2000 Luton et al. .... D27/189  
D462,139 S \* 8/2002 Sagmeister et al. .... D27/189  
7,175,022 B2 \* 2/2007 Ito ..... 206/268  
2005/0252796 A1 \* 11/2005 Sendo ..... 206/261

2007/0193892 A1 \* 8/2007 Tanbo et al. .... 206/205  
2007/0261704 A1 \* 11/2007 Tanbo et al. .... 131/240.1

\* cited by examiner

*Primary Examiner*—Daniel Bui

*Assistant Examiner*—Thomas J Johannes

(74) *Attorney, Agent, or Firm*—Charles I. Sherman; Middleton Reutlinger

(57) **CLAIM**

The ornamental design for a pack for smoking articles, as shown and described.

**DESCRIPTION**

FIG. 1 is a front perspective view of the design for the pack for smoking articles in a closed position;

FIG. 2 is a front view of the design of FIG. 1 in a closed position;

FIG. 3 is a rear view of the design of FIG. 1 in a closed position;

FIG. 4 is a top view of the design of FIG., the bottom view being a mirror image;

FIG. 5 is a side view of the design of FIG. 1 in a closed position; the other side being a mirror image;

FIG. 6 is a front perspective view of the design of FIG. 1 in an open position;

FIG. 7 is a front perspective view of another embodiment of the design in a closed position;

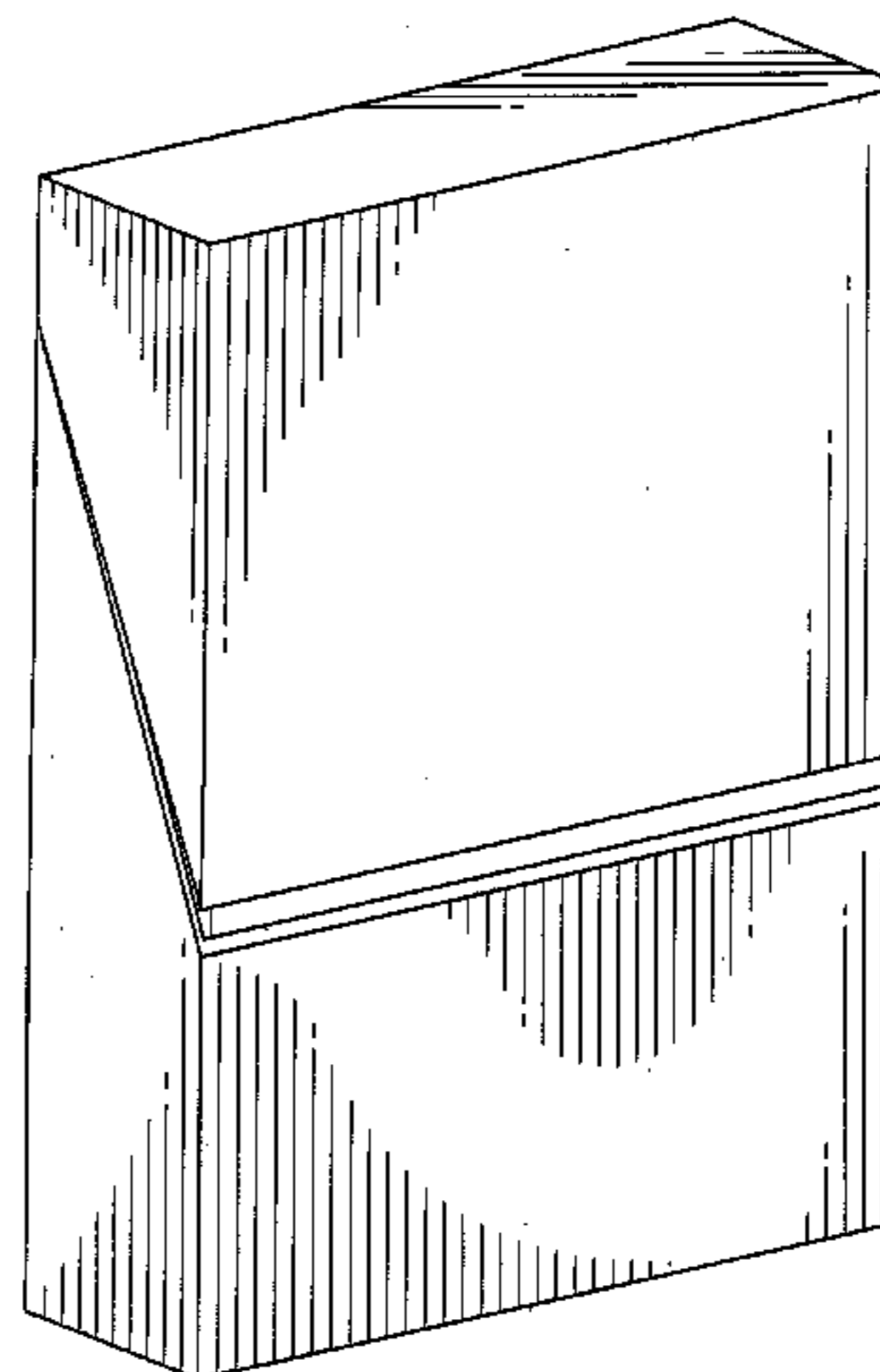
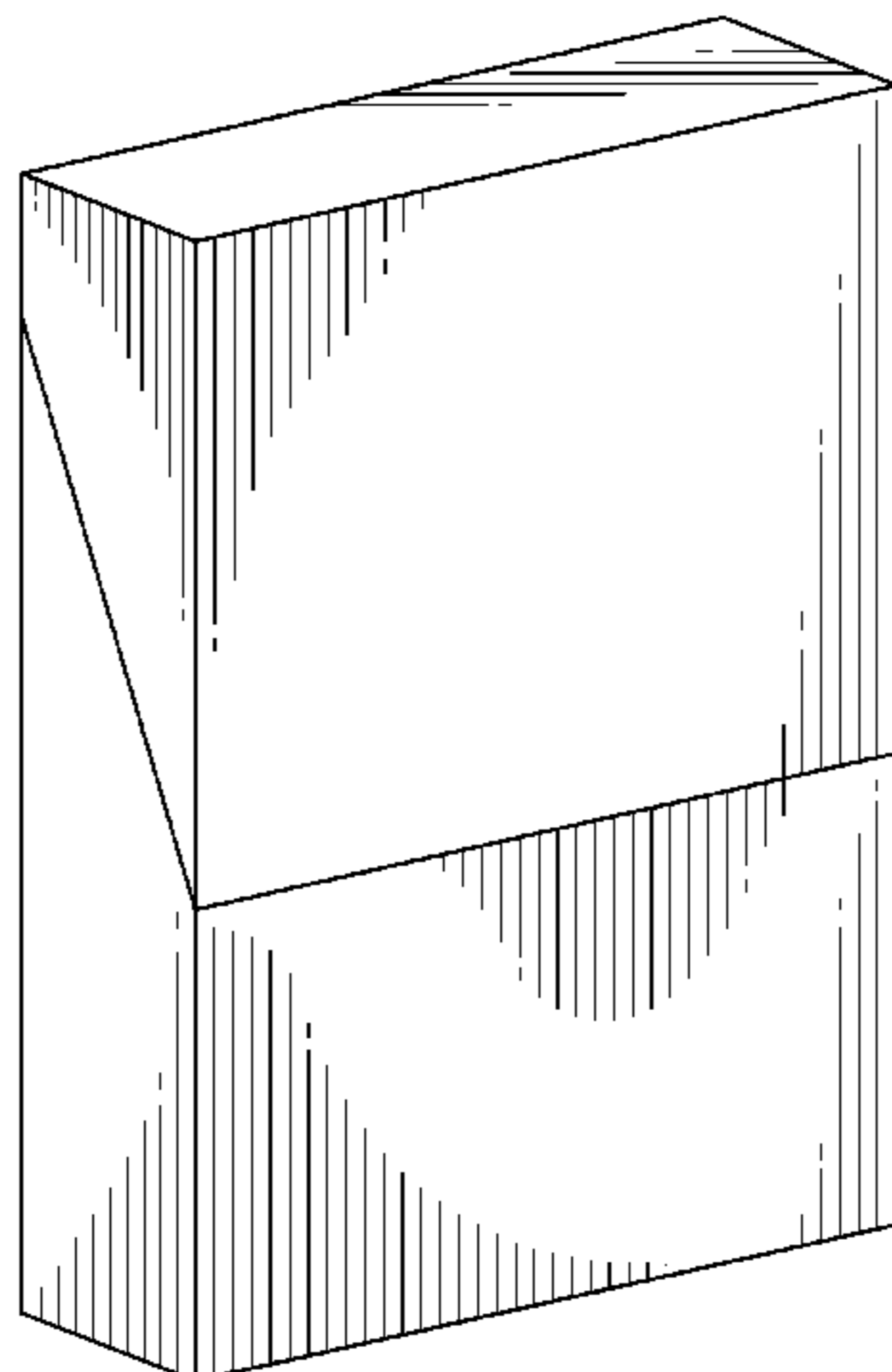
FIG. 8 is a front view of the design of FIG. 7 in a closed position;

FIG. 9 is a side view of the design of FIG. 7 in a closed position, the other side being a mirror image;

FIG. 10 is a top view of the design of FIG. 7, the bottom view being a mirror image; and,

FIG. 11 is a front perspective view of the design of FIG. 7 in an open position.

**1 Claim, 11 Drawing Sheets**



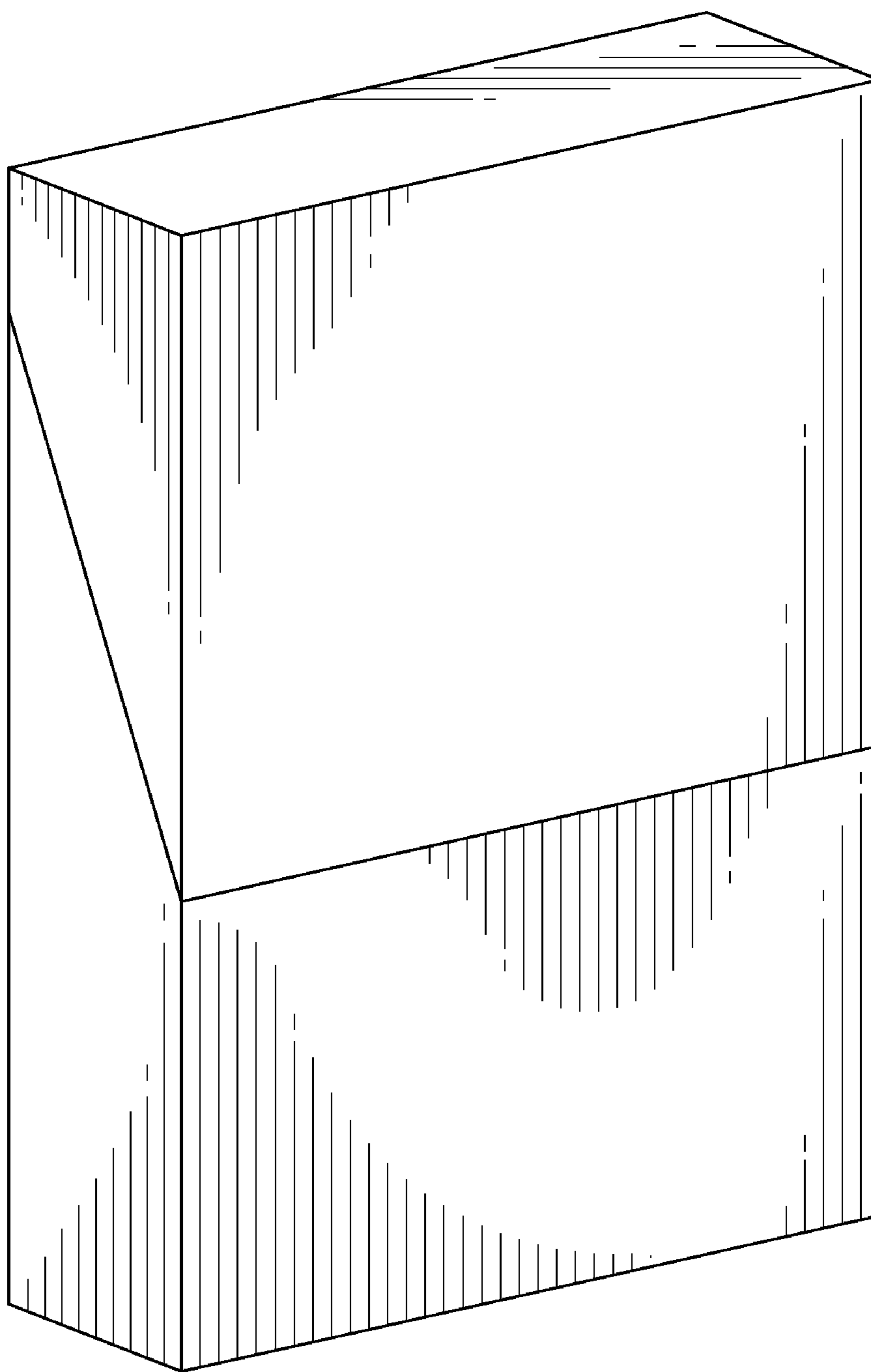


FIG. 1

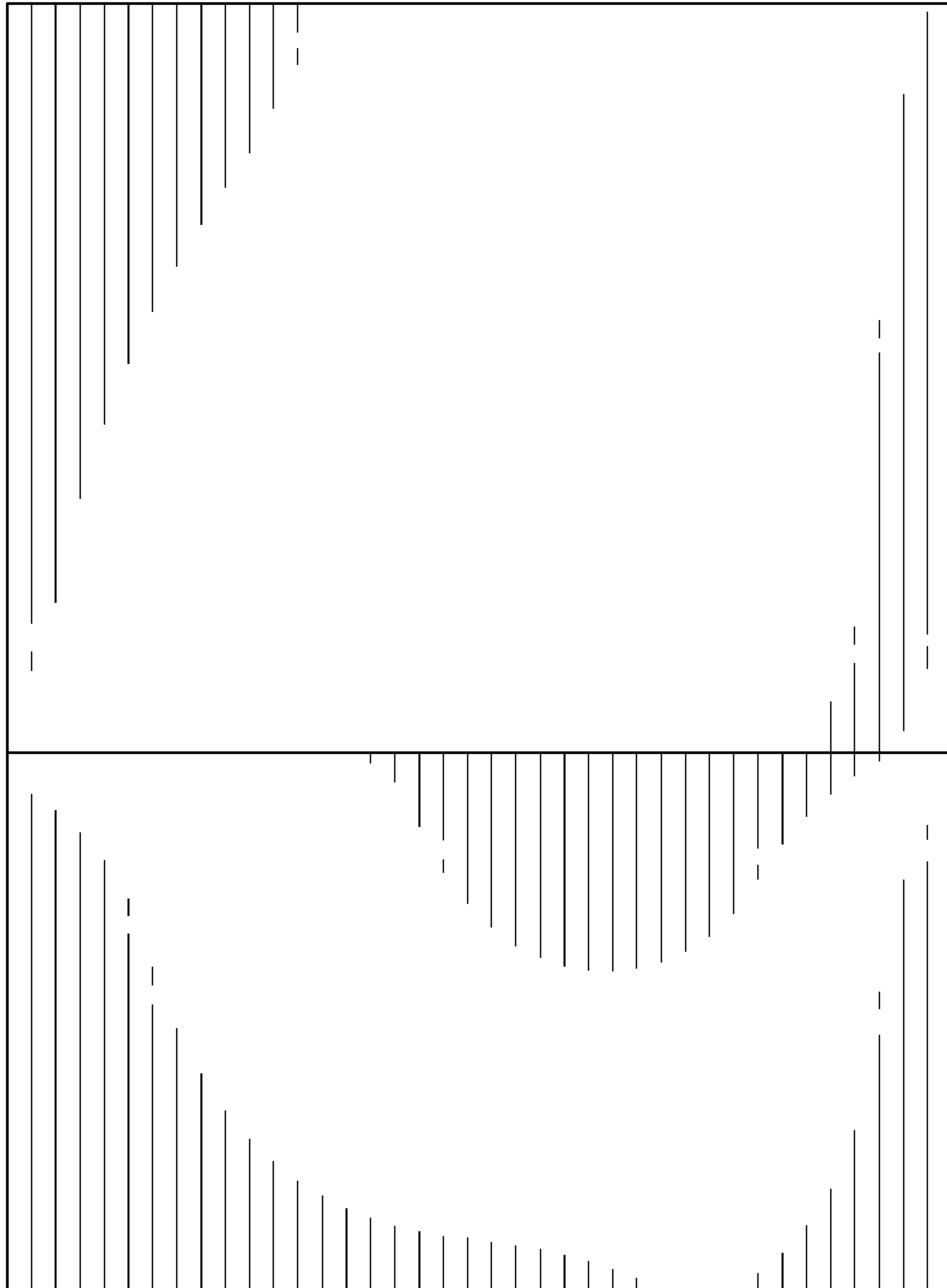


FIG. 2

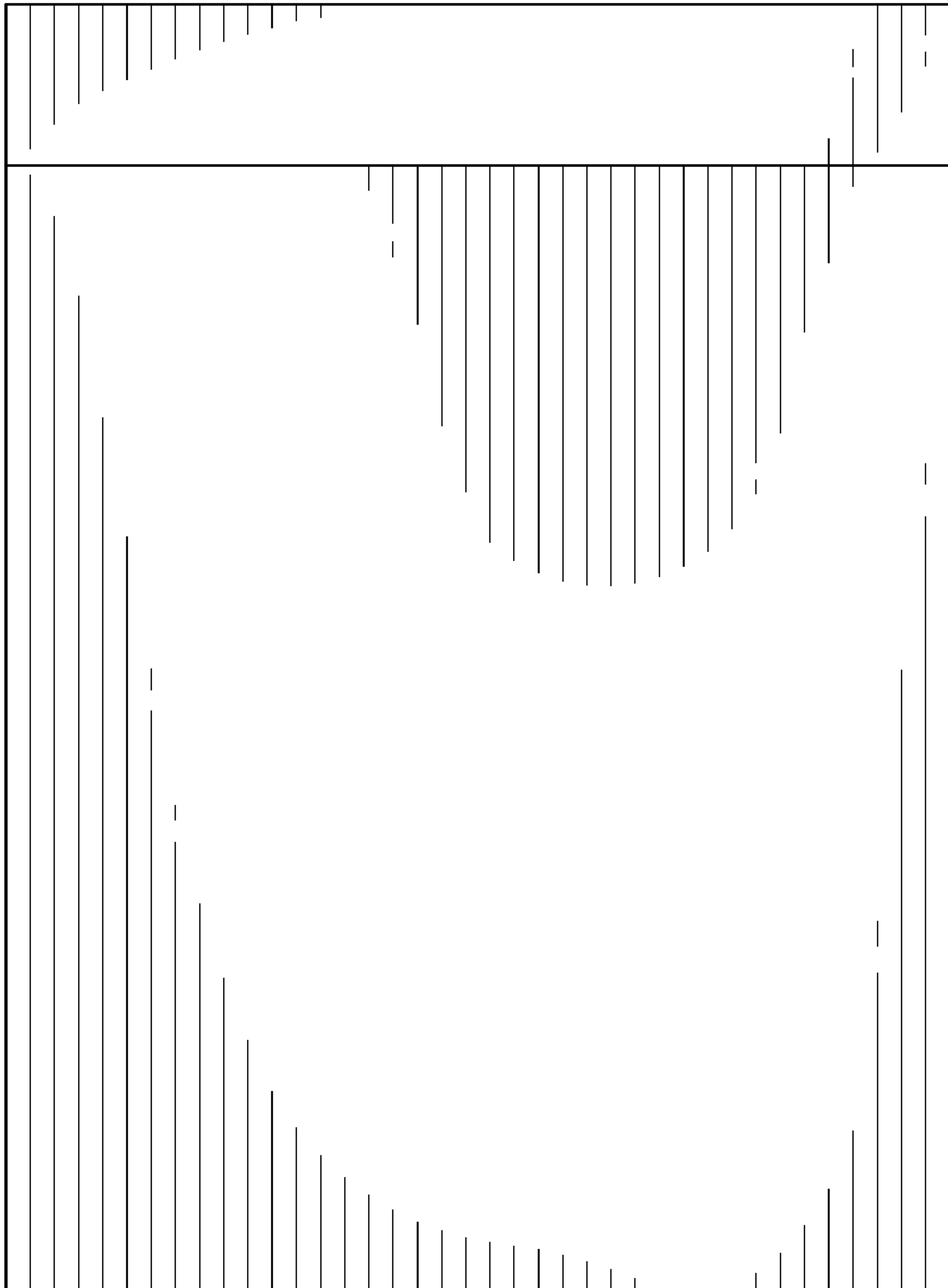


FIG. 3

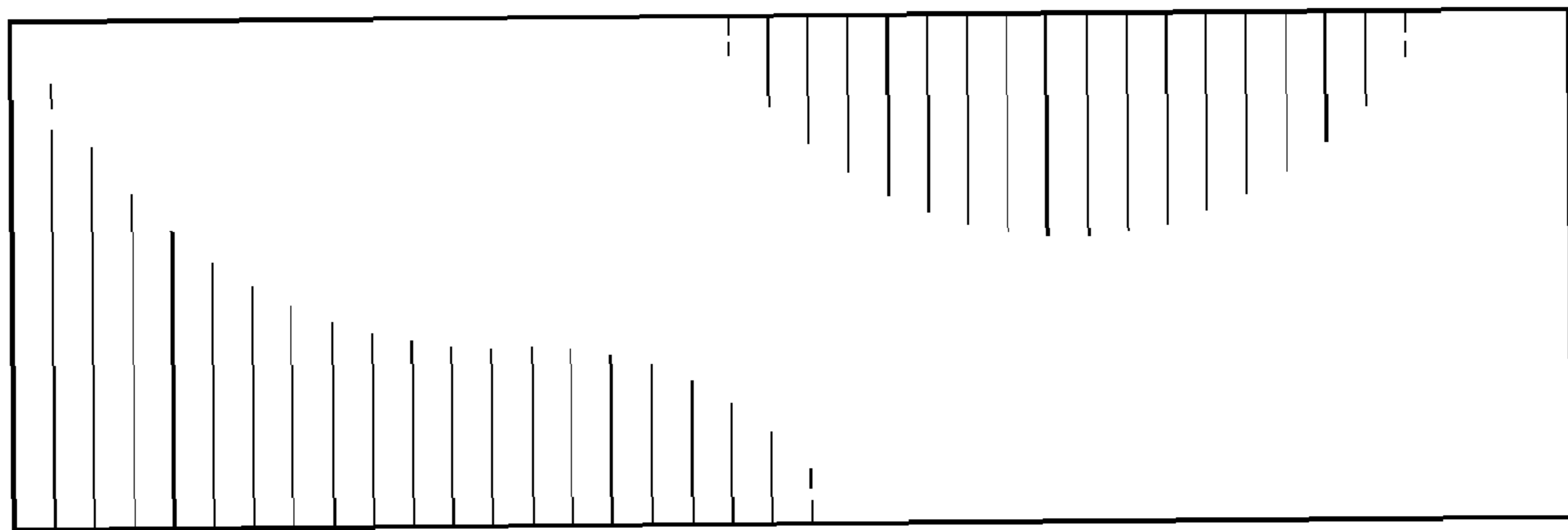


FIG. 4

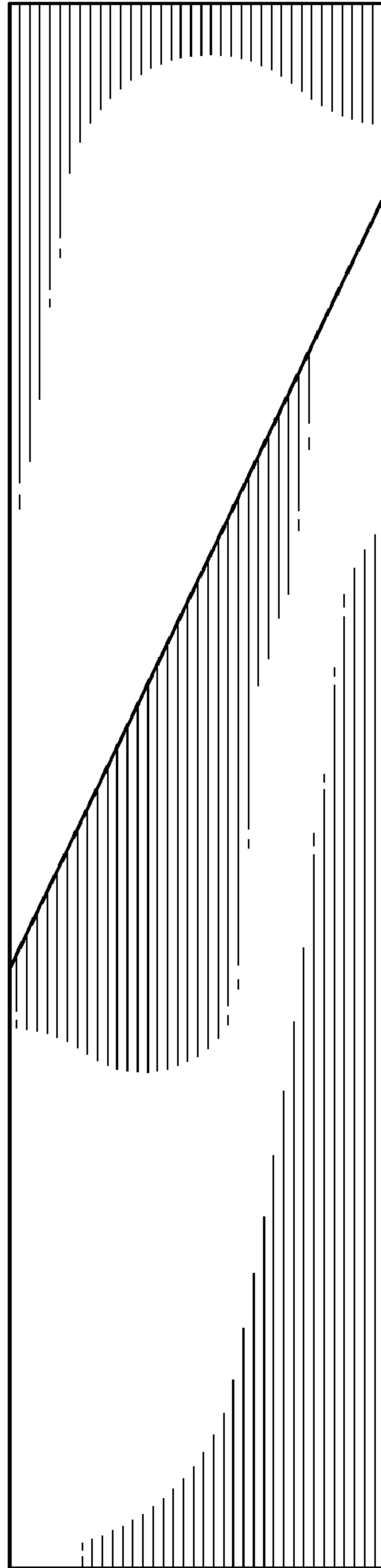


FIG. 5

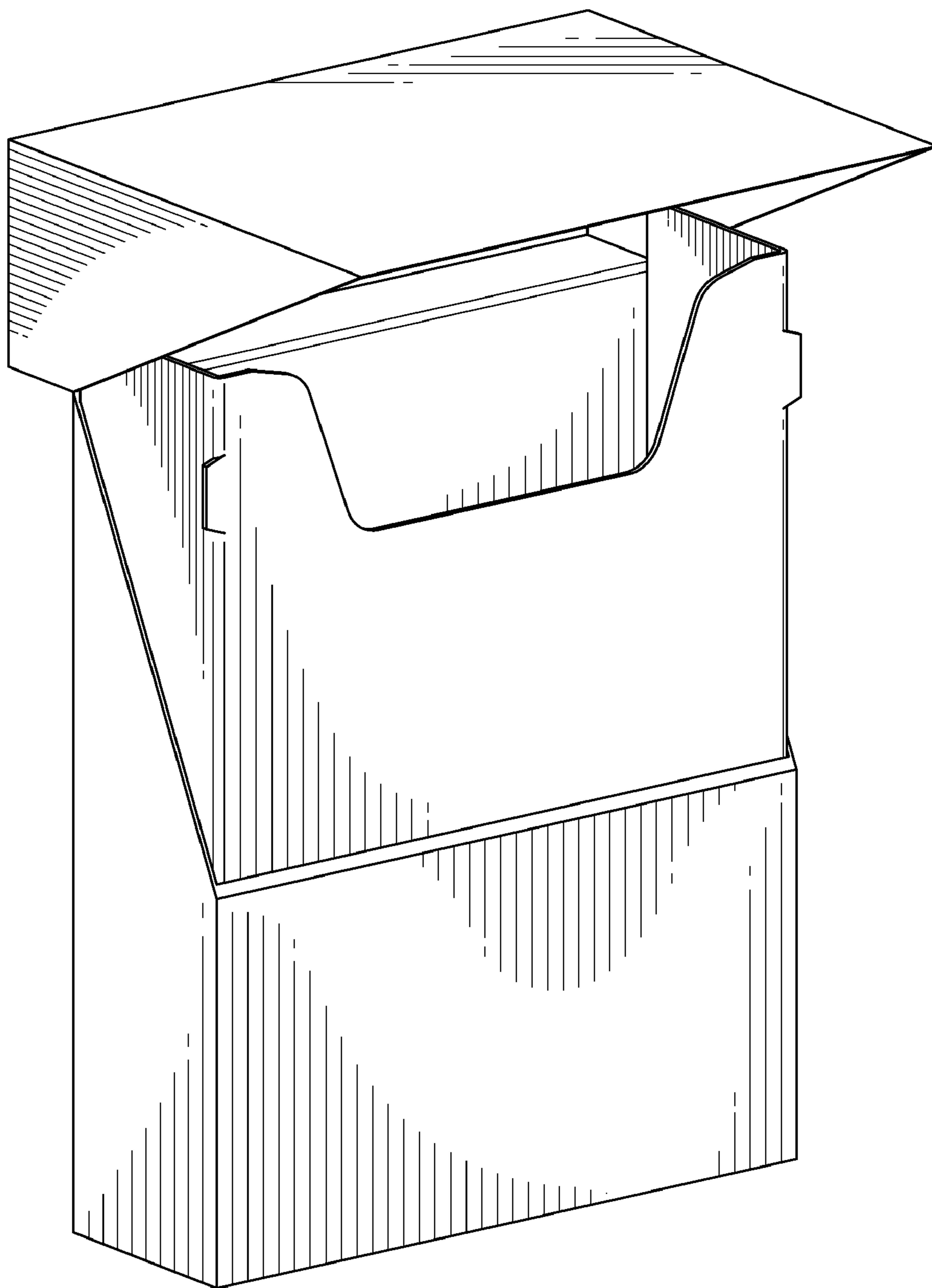


FIG. 6

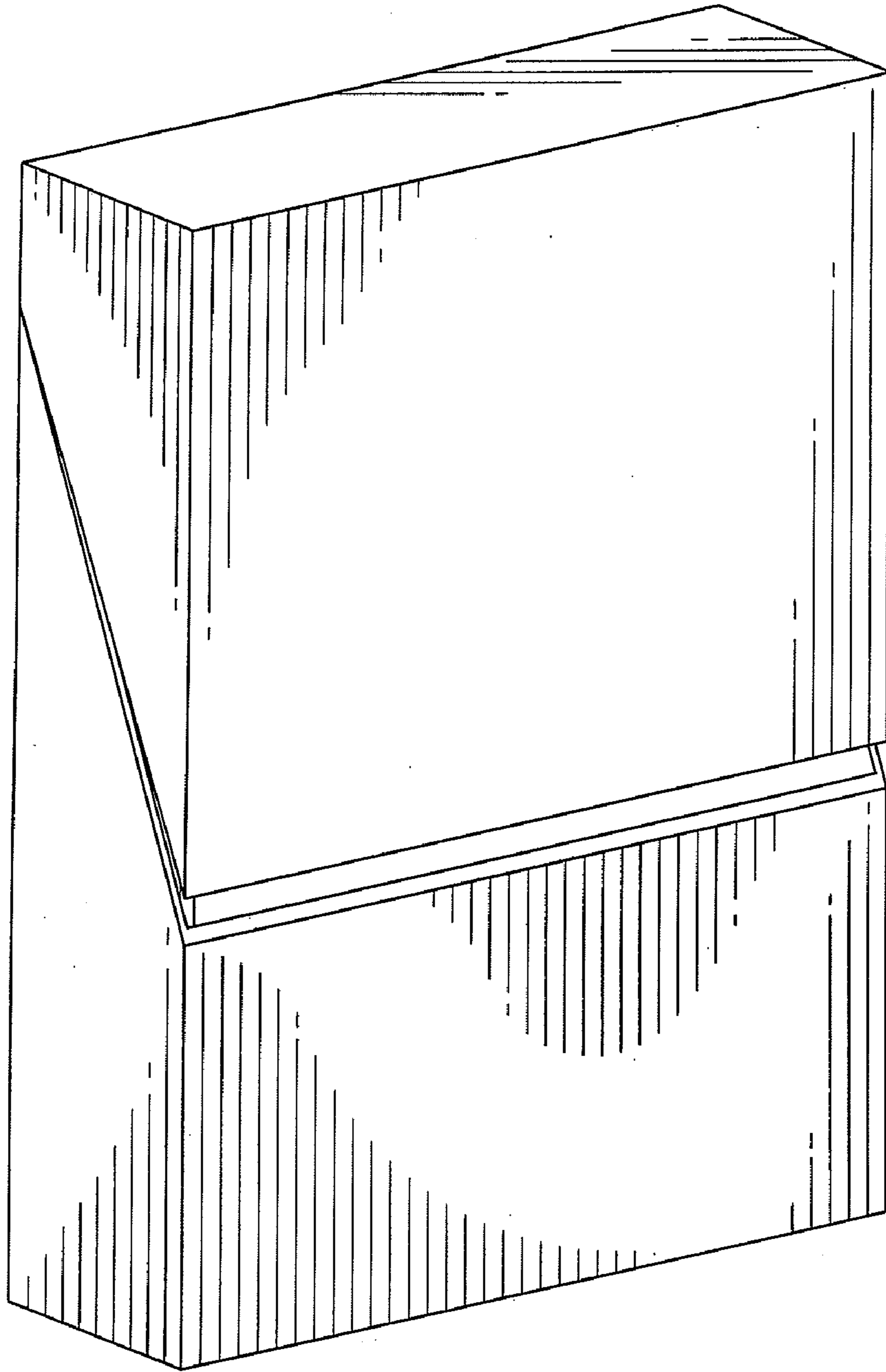


FIG. 7



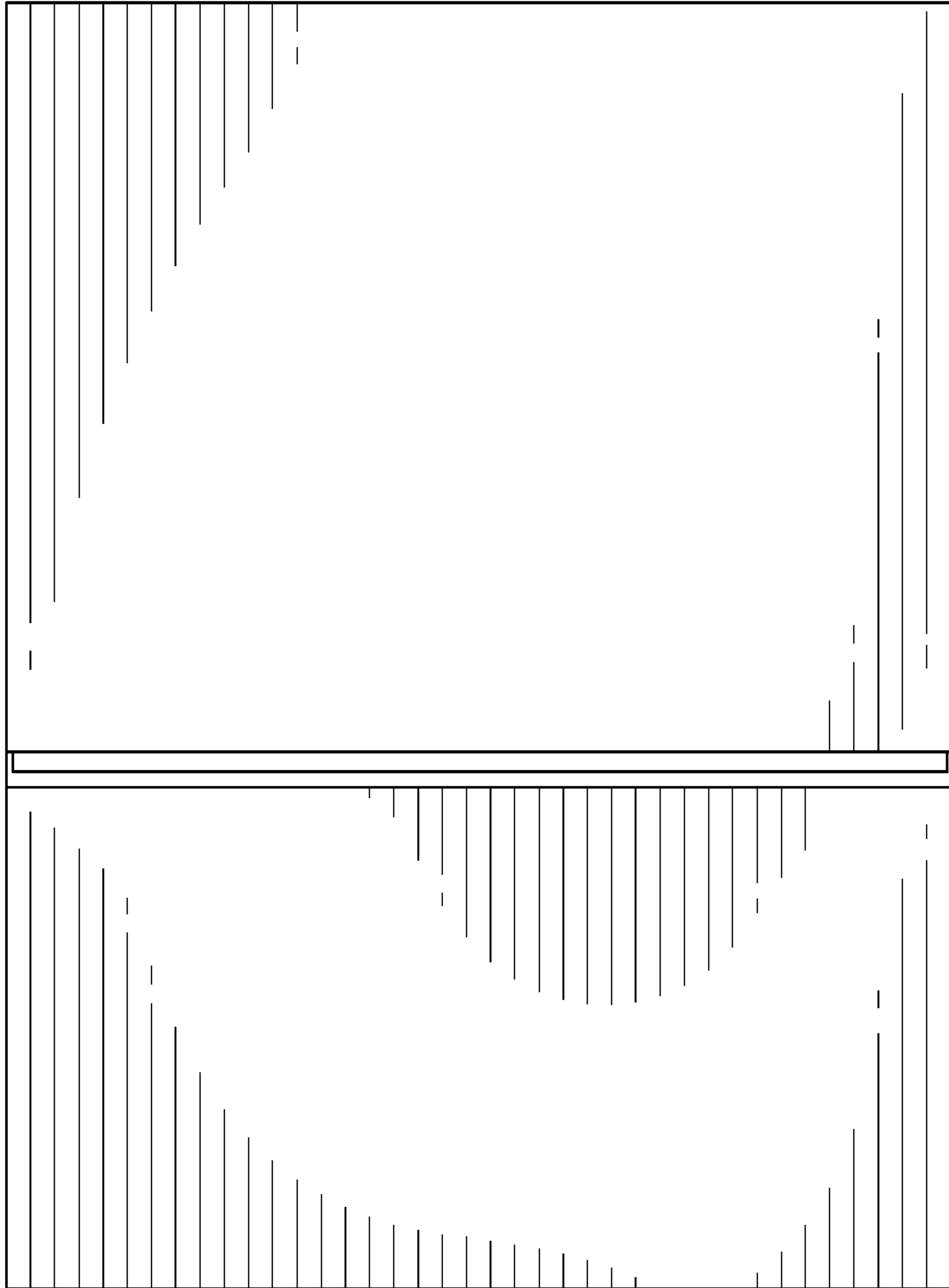


FIG. 8

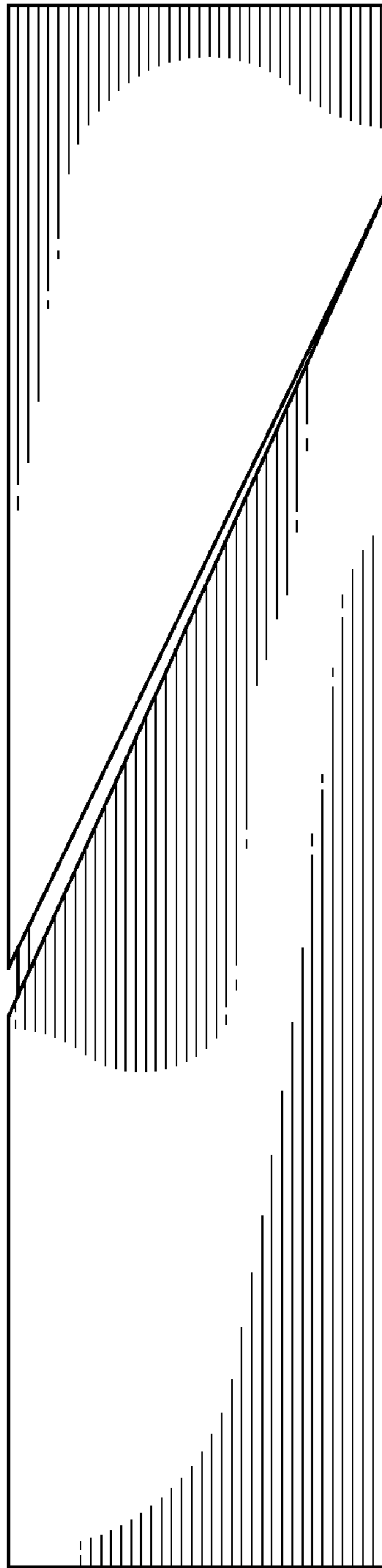


FIG. 9

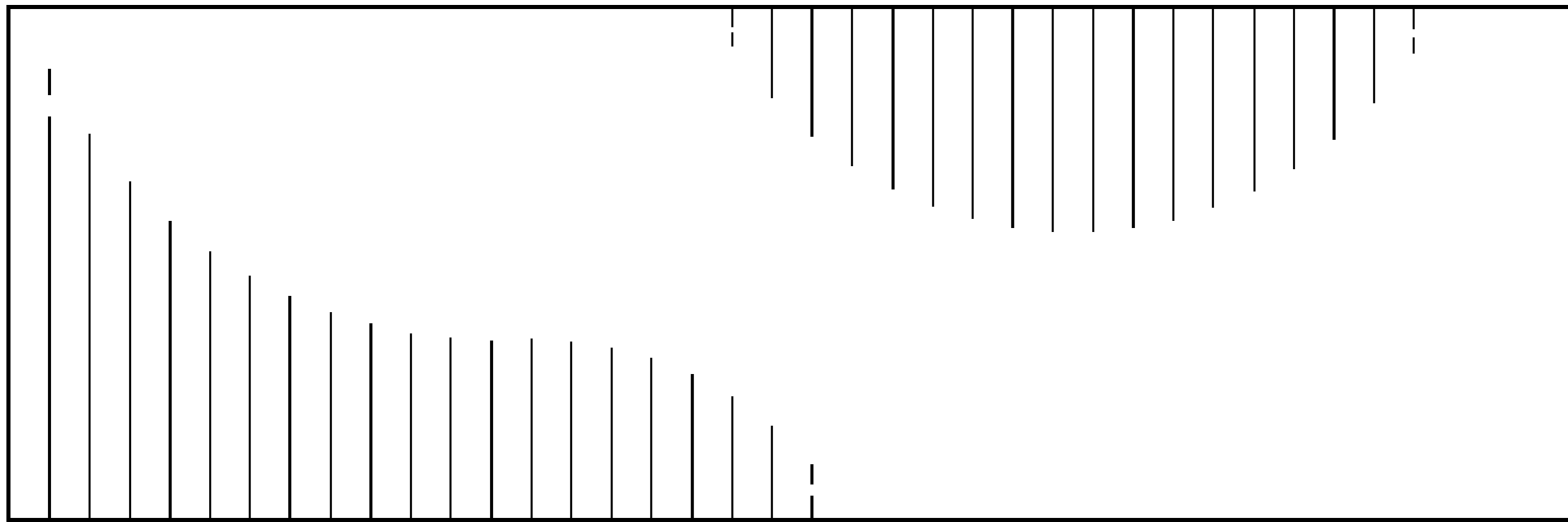


FIG. 10

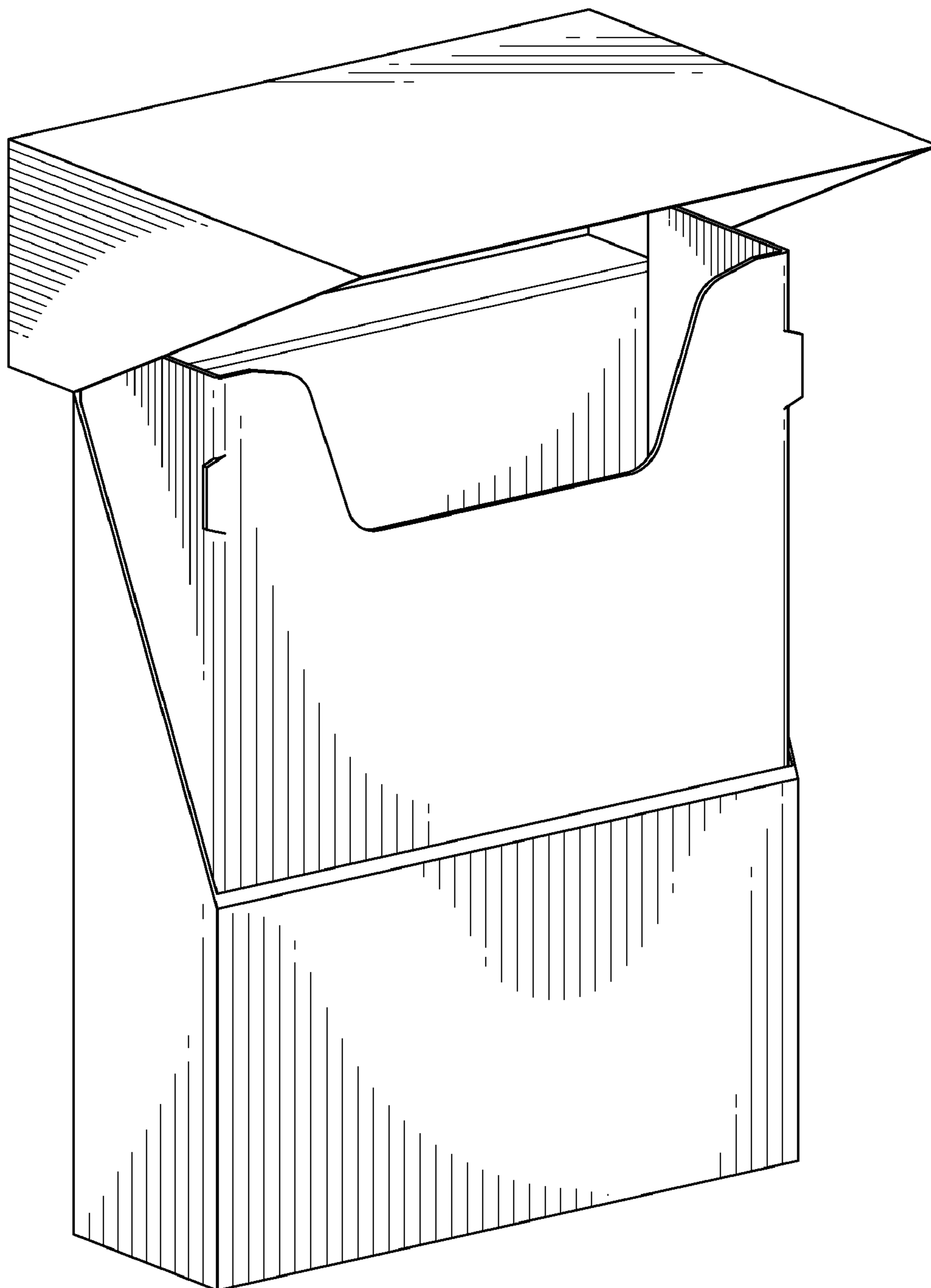


FIG. 11