



US00D579322S

(12) **United States Design Patent**
Newbould et al.

(10) **Patent No.:** **US D579,322 S**
(45) **Date of Patent:** **** Oct. 28, 2008**

(54) **ADHESIVELY MOUNTABLE HOOK**

(75) Inventors: **Peter J. Newbould**, Milan (IT);
Pasquale Cirull, Milan (IT); **Sigurdur Thorsteinsson**, Milan (IT); **Michele Cestone**, Milan (IT)

(73) Assignee: **3M Innovative Properties Company**,
St. Paul, MN (US)

(**) Term: **14 Years**

(21) Appl. No.: **29/247,837**

(22) Filed: **Jul. 14, 2006**

(51) **LOC (8) Cl.** **08-05**

(52) **U.S. Cl.** **D8/367**

(58) **Field of Classification Search** D8/367,
D8/354, 363, 370; 40/642.01; 211/59.1,
211/70.6; 248/220.41, 220.43, 222.43, 304,
248/489; D6/323

See application file for complete search history.

(56) **References Cited**

U.S. PATENT DOCUMENTS

4,094,490	A *	6/1978	Einhorn	248/489
D339,058	S *	9/1993	Greenhut et al.	D8/367
D386,389	S *	11/1997	Hofman	D8/367
D390,014	S *	2/1998	Ho	D6/323

6,199,811	B1 *	3/2001	Fargo	248/304
D446,443	S *	8/2001	Snell	D8/367
D458,535	S *	6/2002	Henderson	D8/367
D516,900	S *	3/2006	Hoernig	D8/367
D531,487	S *	11/2006	Dretzka	D8/367

* cited by examiner

Primary Examiner—T. Chase Nelson

Assistant Examiner—Barbara Blanton Lohr

(74) *Attorney, Agent, or Firm*—David B. Patchett

(57) **CLAIM**

The ornamental design for an adhesively mountable hook, as shown and described.

DESCRIPTION

FIG. 1 is a perspective view showing the new design for an adhesively mountable hook;

FIG. 2 is a front view thereof;

FIG. 3 is a back view thereof;

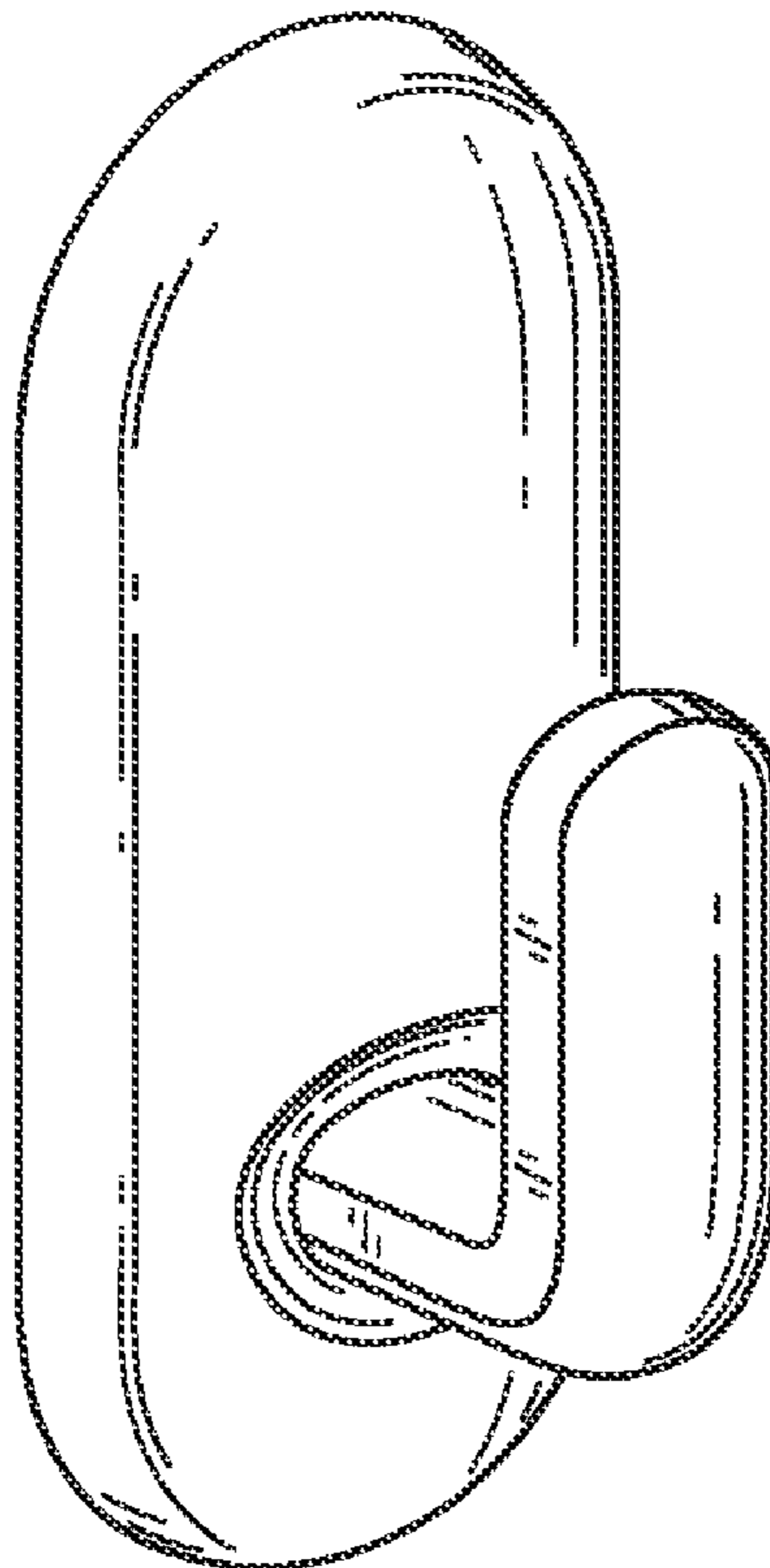
FIG. 4 is a side view thereof; the opposite side view thereof being a mirror image of the side view shown;

FIG. 5 is a top view thereof; and,

FIG. 6 is a bottom view thereof.

The broken lines in the drawings are shown for illustrative purposes only and form no part of the claimed design.

1 Claim, 1 Drawing Sheet



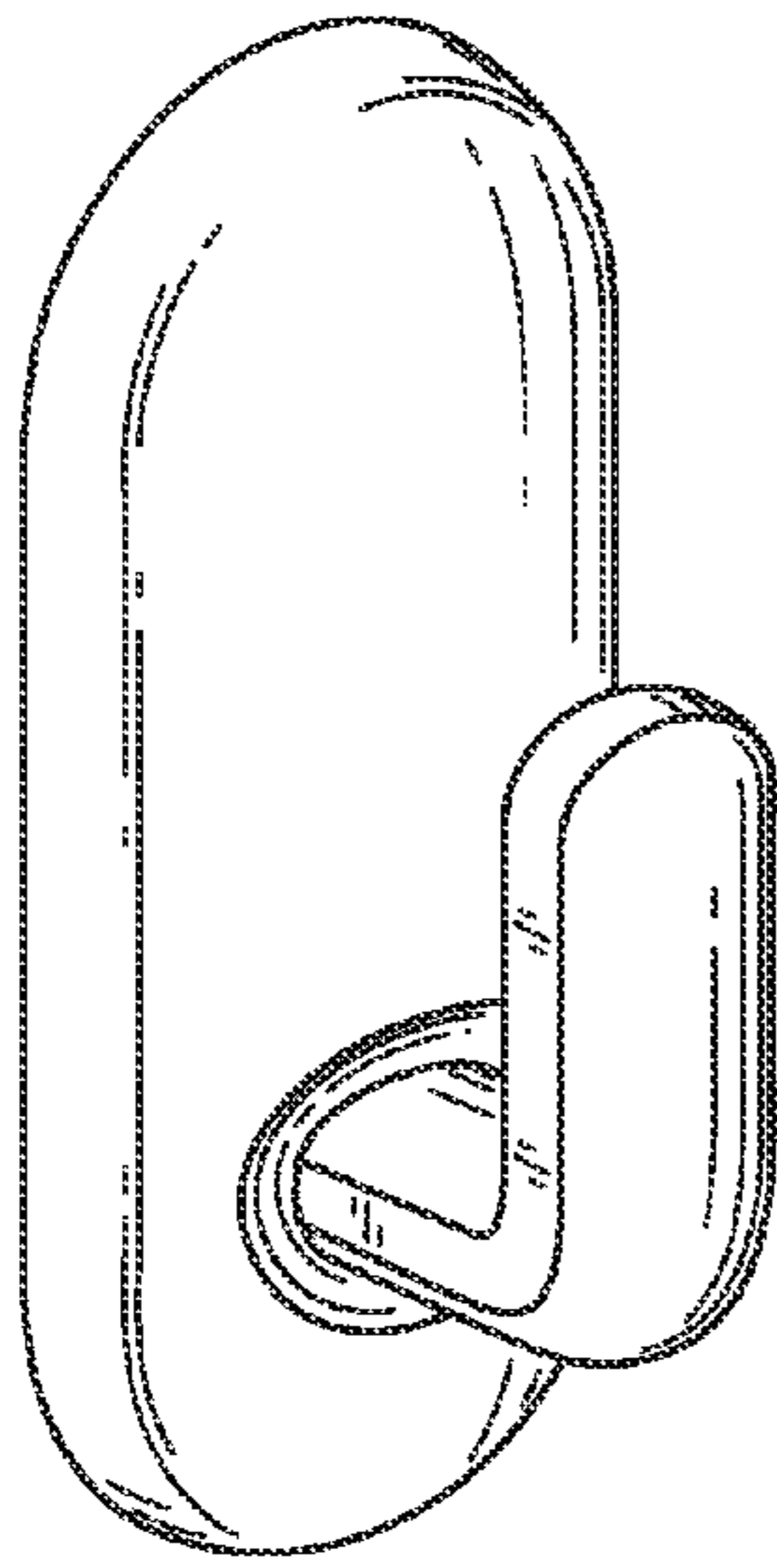


FIG. 1

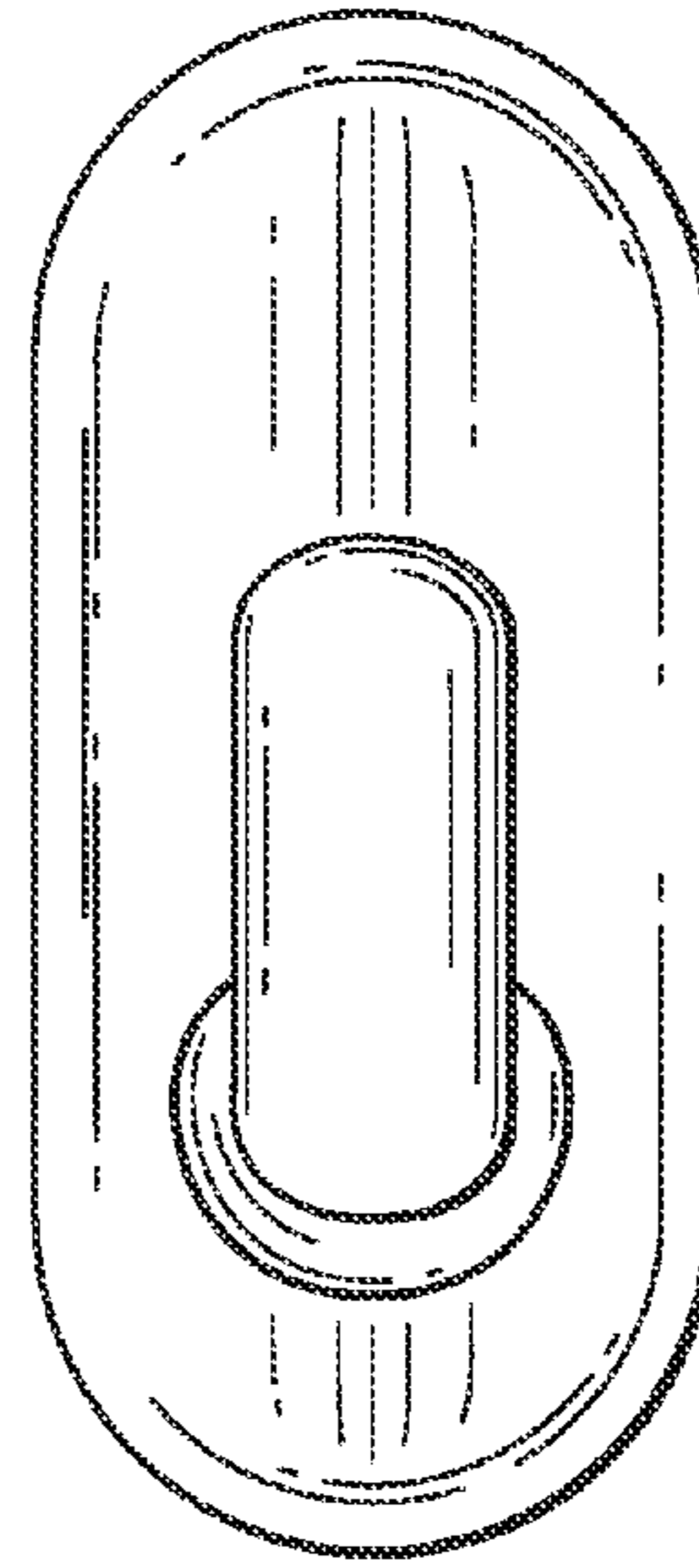


FIG. 2

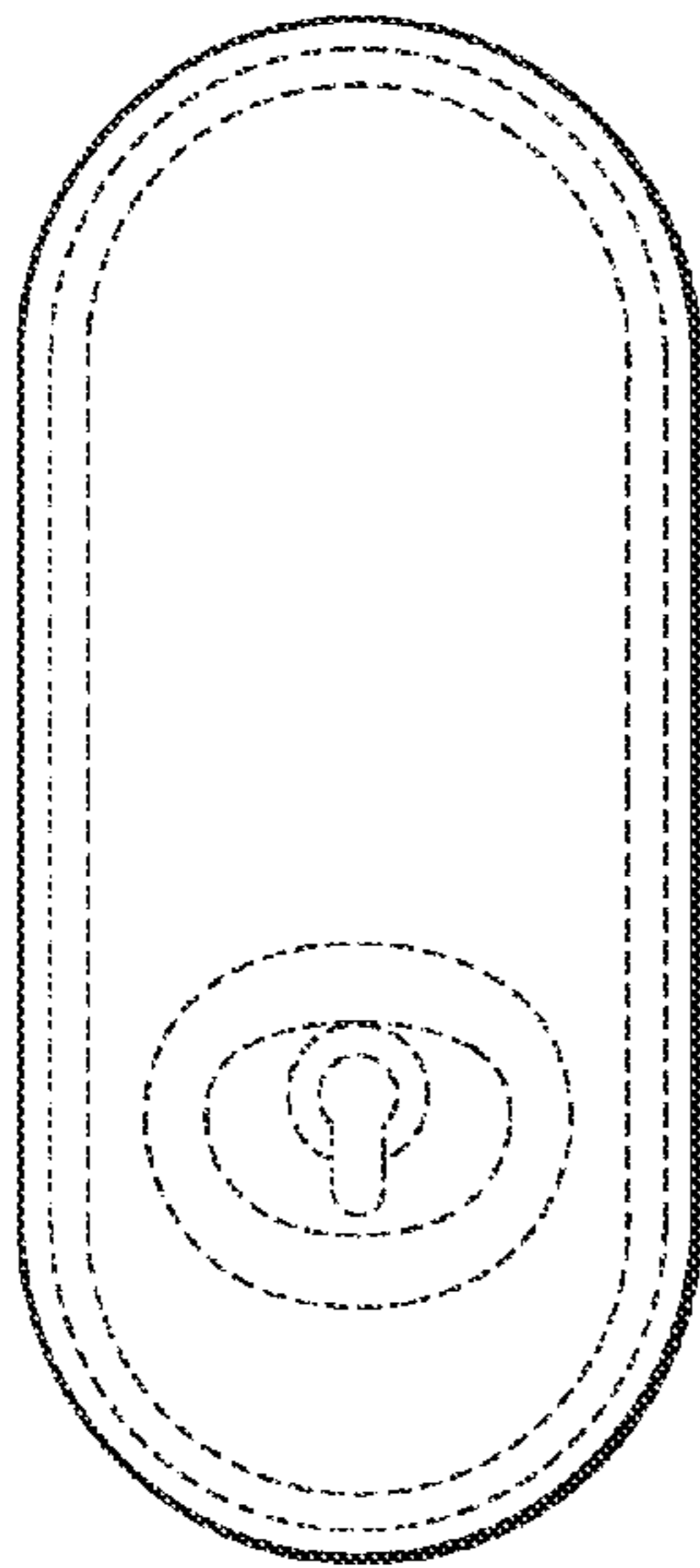


FIG. 3

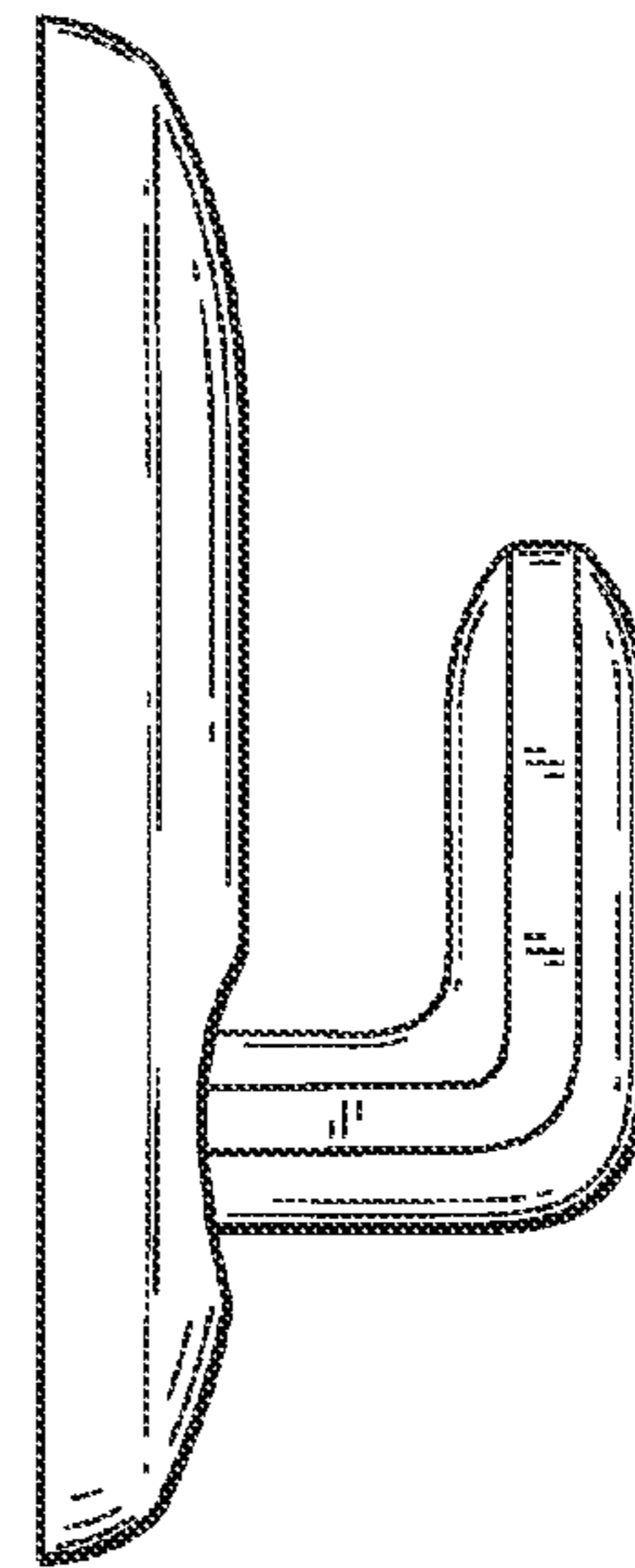


FIG. 4

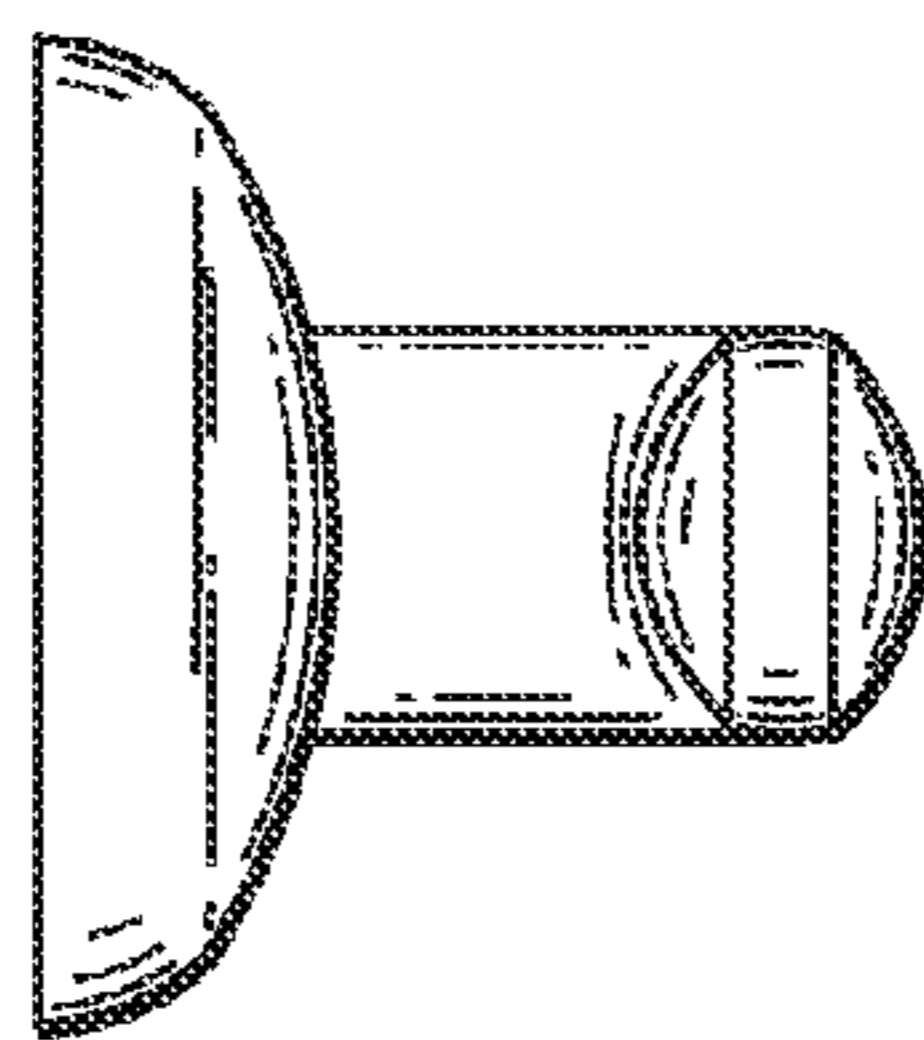


FIG. 5

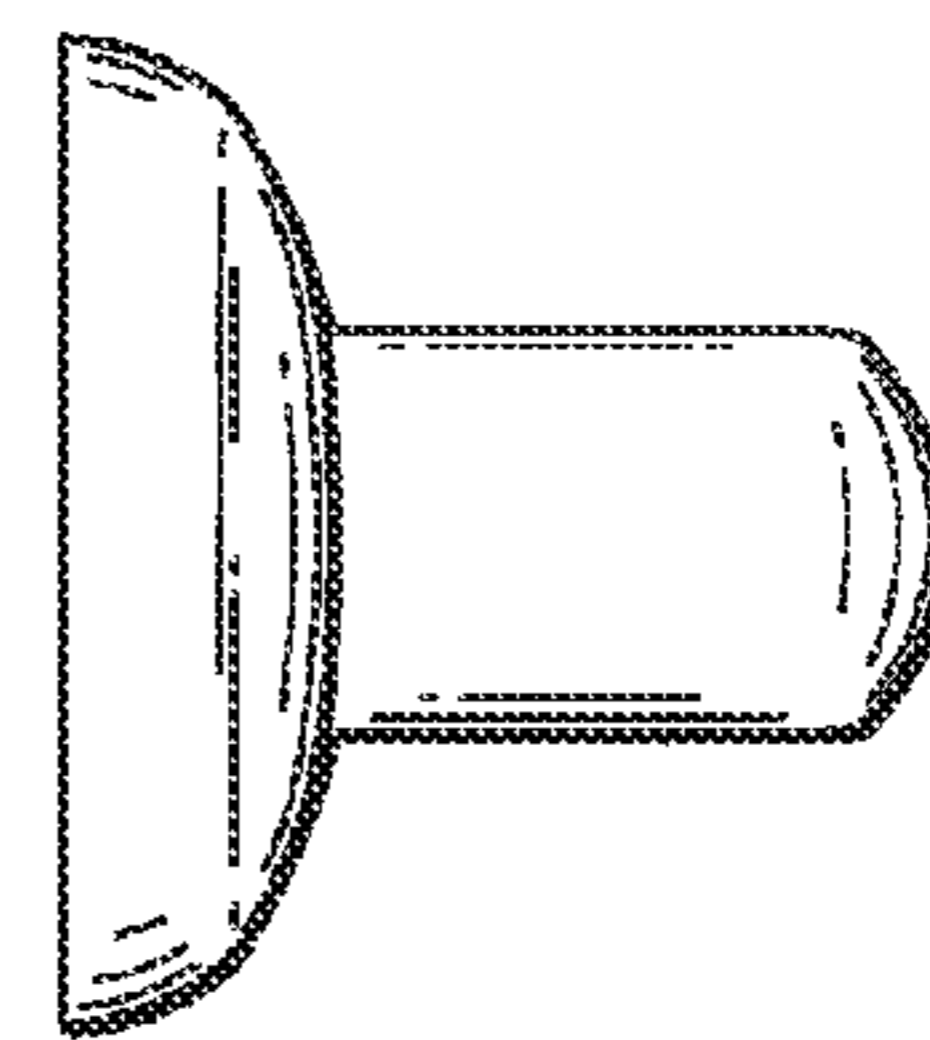


FIG. 6