



US00D579321S

(12) **United States Design Patent**
Townley

(10) **Patent No.:** **US D579,321 S**
(45) **Date of Patent:** **** Oct. 28, 2008**

(54) **STRUCTURAL SUPPORT BRACKET**

(75) Inventor: **Jason S. Townley**, San Francisco, CA
(US)

(73) Assignee: **BMI Supply Incorporated**, Queensbury,
NY (US)

(**) Term: **14 Years**

(21) Appl. No.: **29/299,032**

(22) Filed: **Dec. 18, 2007**

(51) **LOC (8) Cl.** **08-05**

(52) **U.S. Cl.** **D8/354**

(58) **Field of Classification Search** D8/349,
D8/354, 366, 382; D25/68, 119, 121, 126,
D25/133; 248/205.1, 247, 248, 309.1; 52/696
See application file for complete search history.

(56) **References Cited**

U.S. PATENT DOCUMENTS

D288,407 S * 2/1987 St. Alban D8/354
D342,011 S * 12/1993 Maguire D8/349
D432,671 S * 10/2000 Grosfillex D25/119
D511,217 S * 11/2005 Bullock et al. D25/119
D551,537 S * 9/2007 Richardson D8/354

OTHER PUBLICATIONS

“Leg-a-matic” by Theatrical Hardware Inc. Products website [www.theatricalhardware.com/products.html] 2007.

“Leg-a-matic” Advertisement; Lighting & Sound America, Feb. 2008.

“Rings, Irons, Bolt Plates & Corners,” p. 4 of Mutual Hardware Corporation catalog, 2005.

* cited by examiner

Primary Examiner—Holly H Baynham

Assistant Examiner—Cynthia M Chin

(74) *Attorney, Agent, or Firm*—Heslin Rothenberg Farley & Mesiti P.C.

(57) **CLAIM**

The ornamental design for a structural support bracket, as shown and described.

DESCRIPTION

FIG. 1 is a front perspective view of a structural support bracket comprising the new design;

FIG. 2 is a rear perspective view thereof;

FIG. 3 is a front elevation view thereof;

FIG. 4 is a rear elevation view thereof;

FIG. 5 is a right side elevation view thereof;

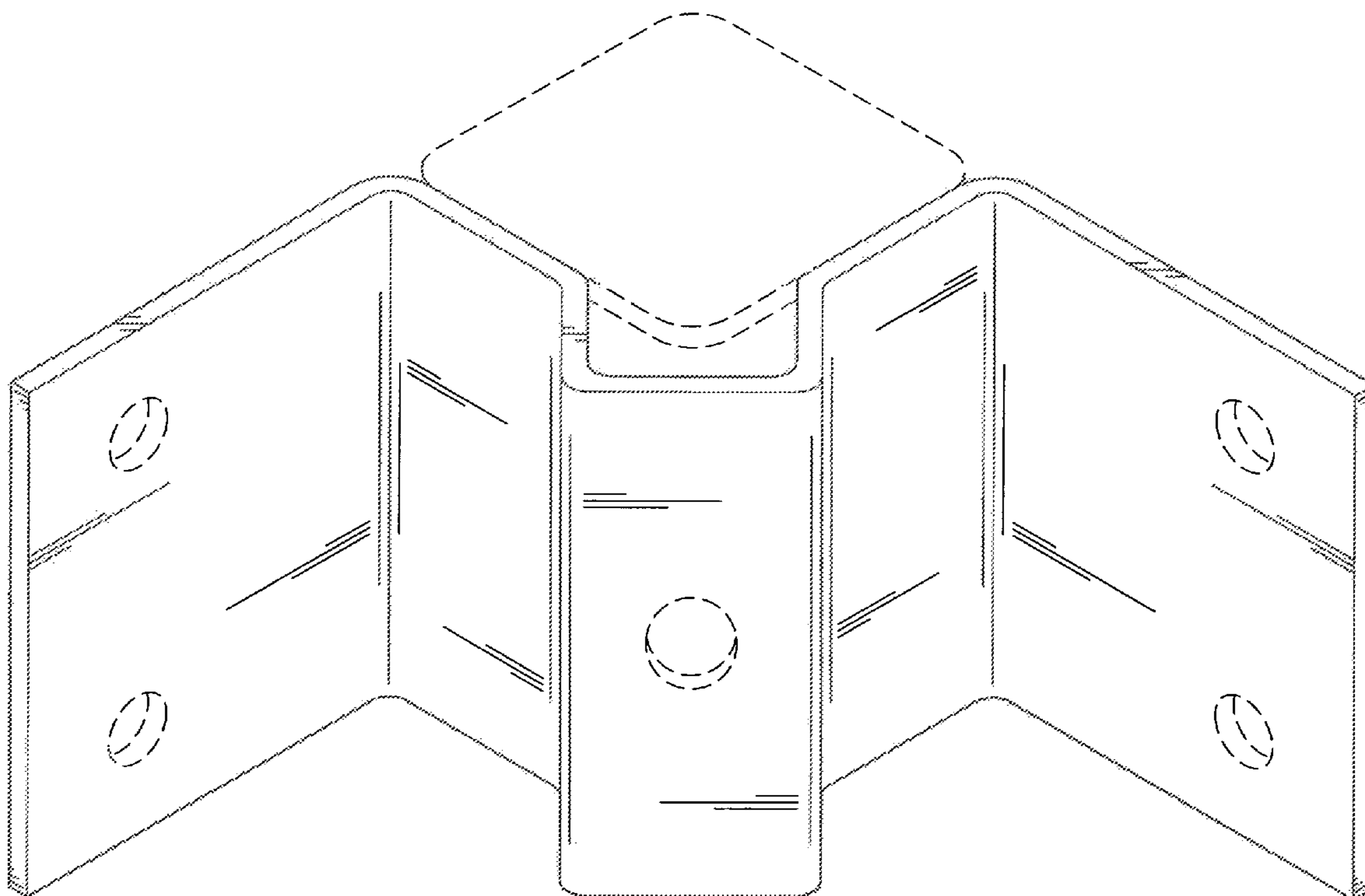
FIG. 6 is a left side elevation view thereof;

FIG. 7 is a top view thereof; and,

FIG. 8 is a bottom view thereof.

The broken lines are for illustrative purposes and form no part of the claimed design.

1 Claim, 8 Drawing Sheets



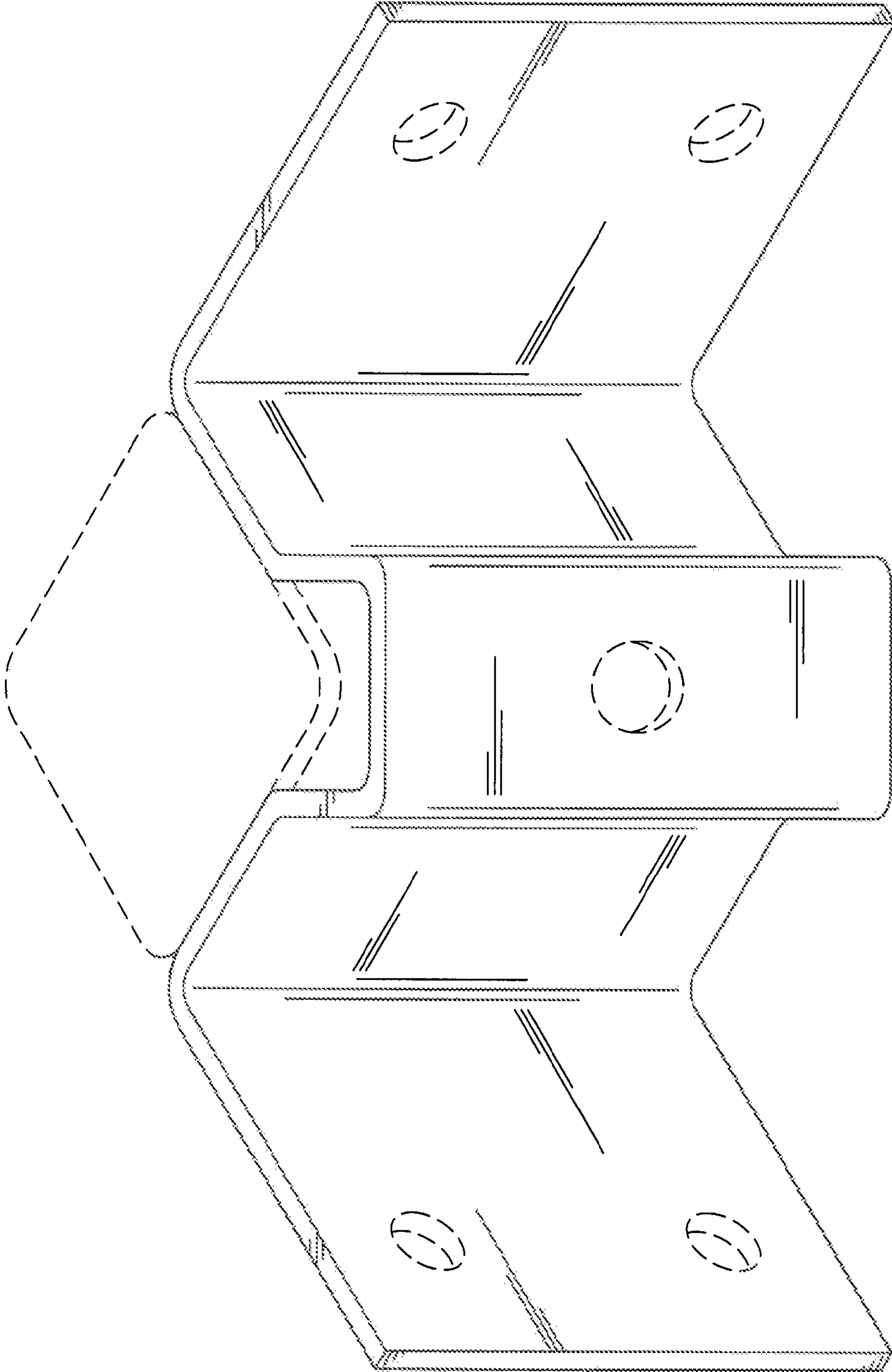


FIG. 1

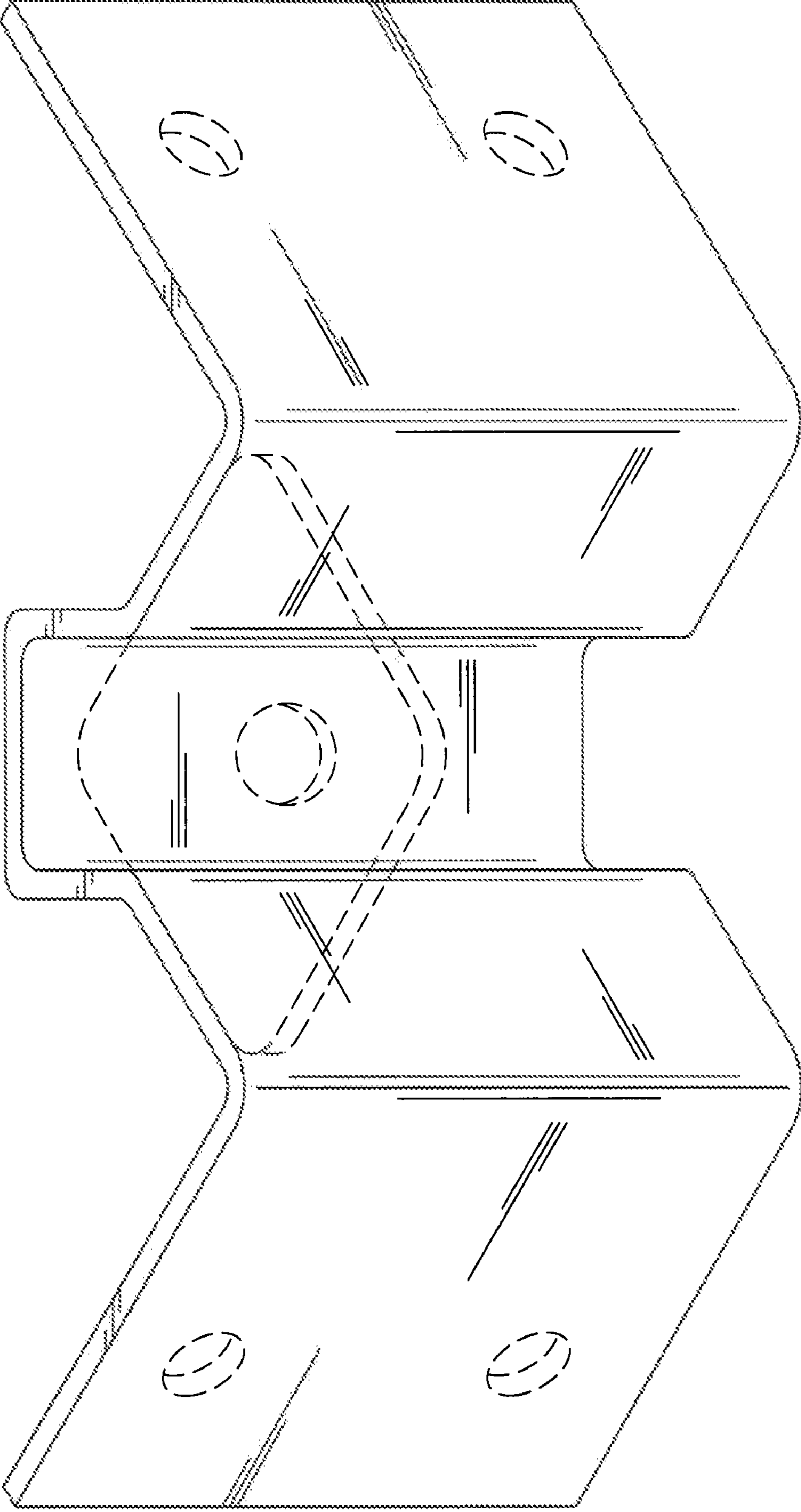


FIG. 2

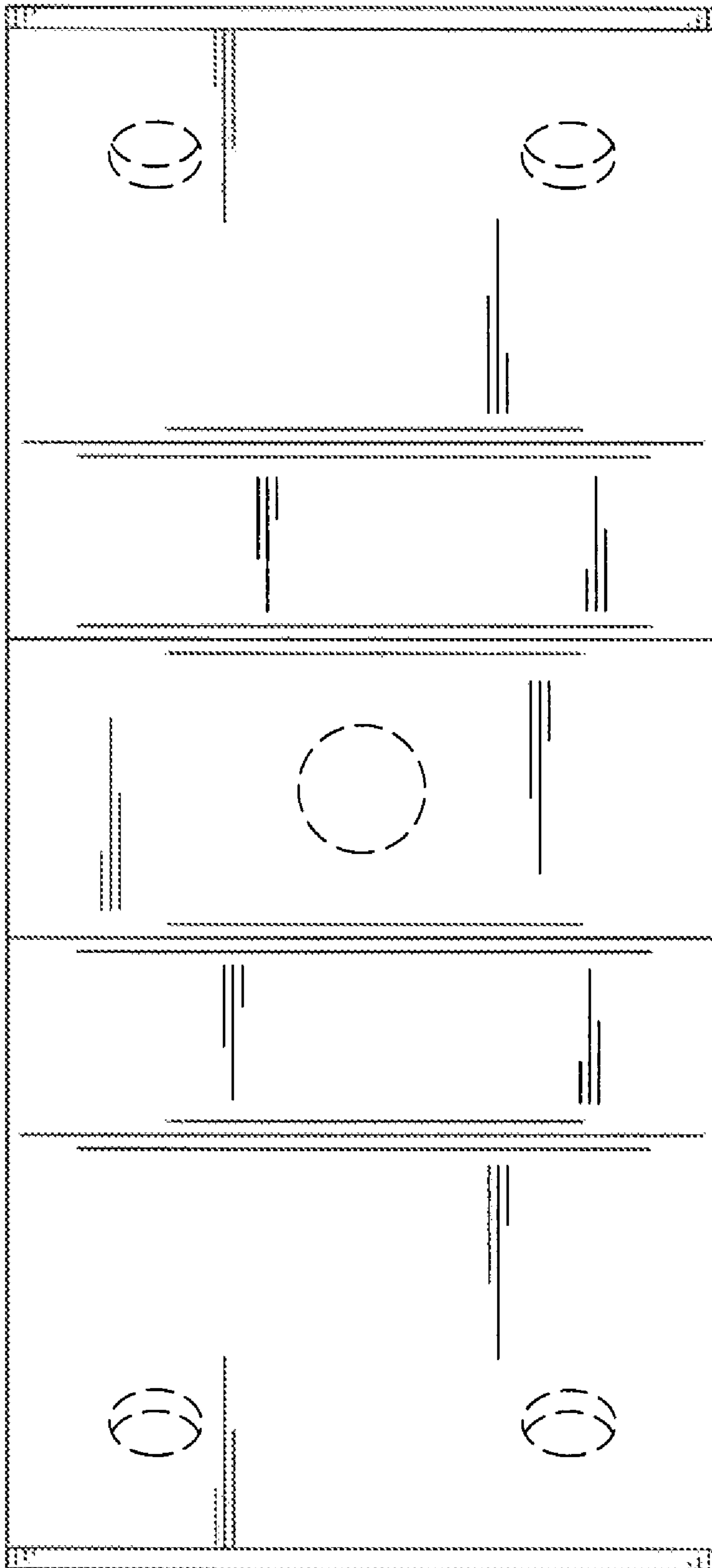


FIG. 3

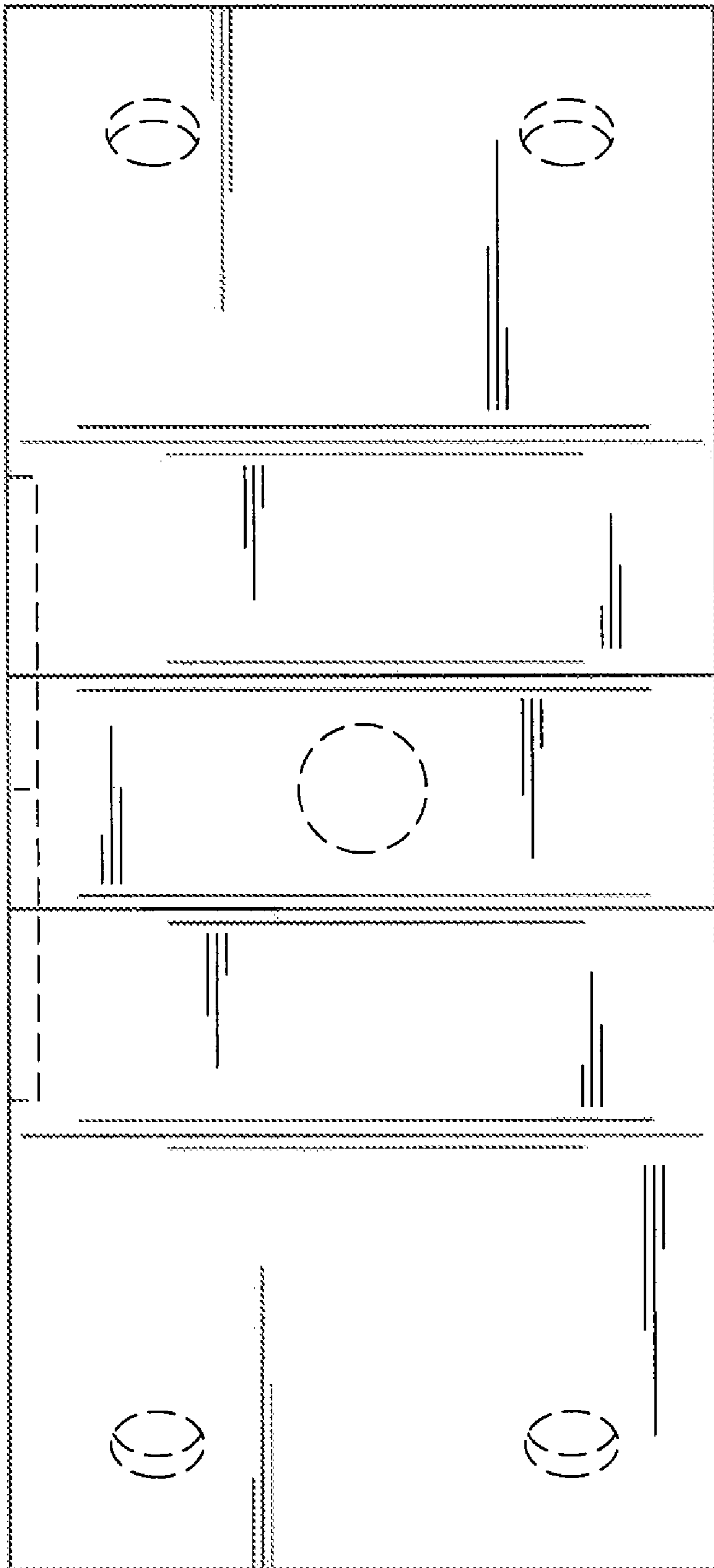


FIG. 4

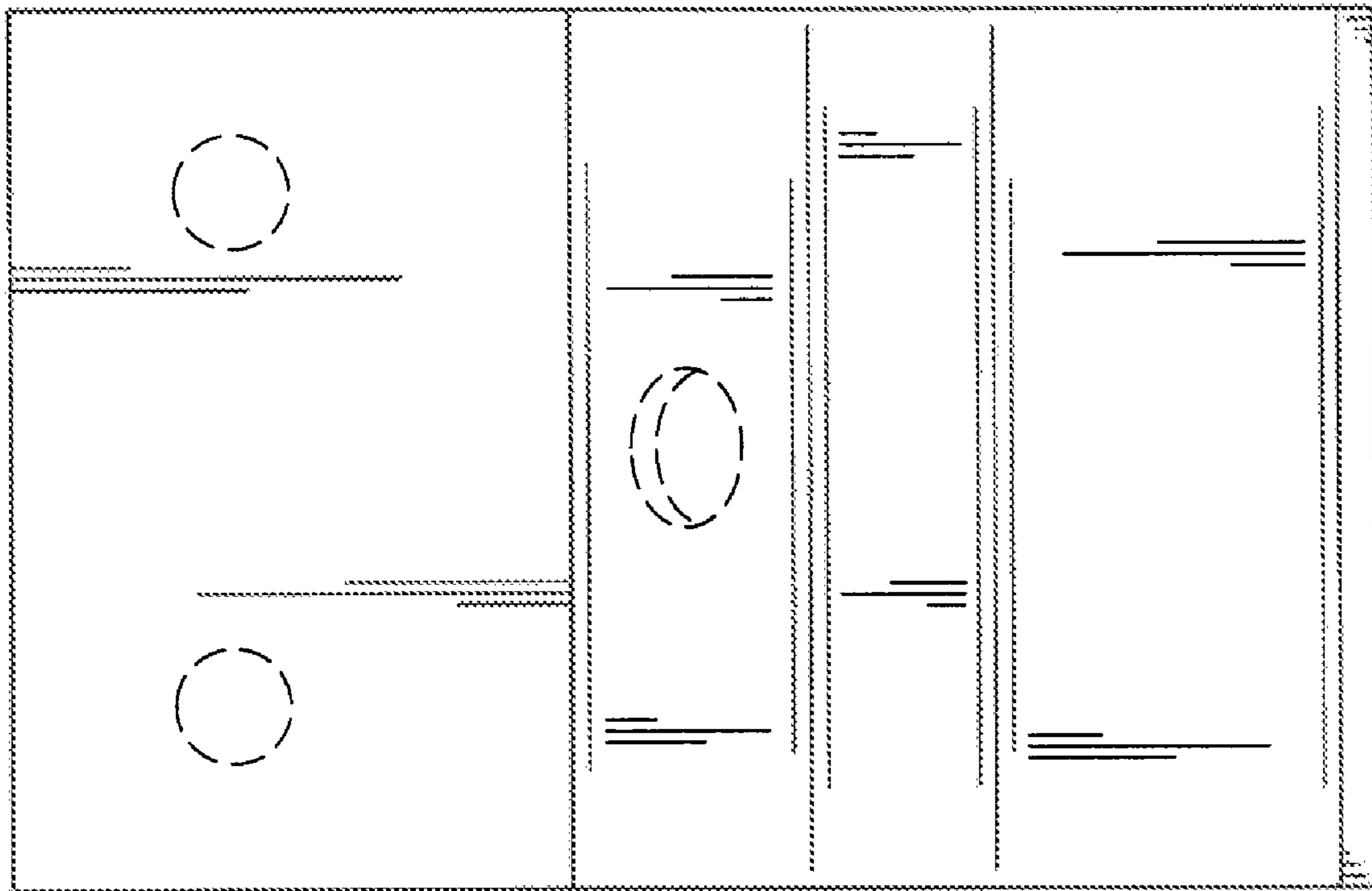


FIG. 5

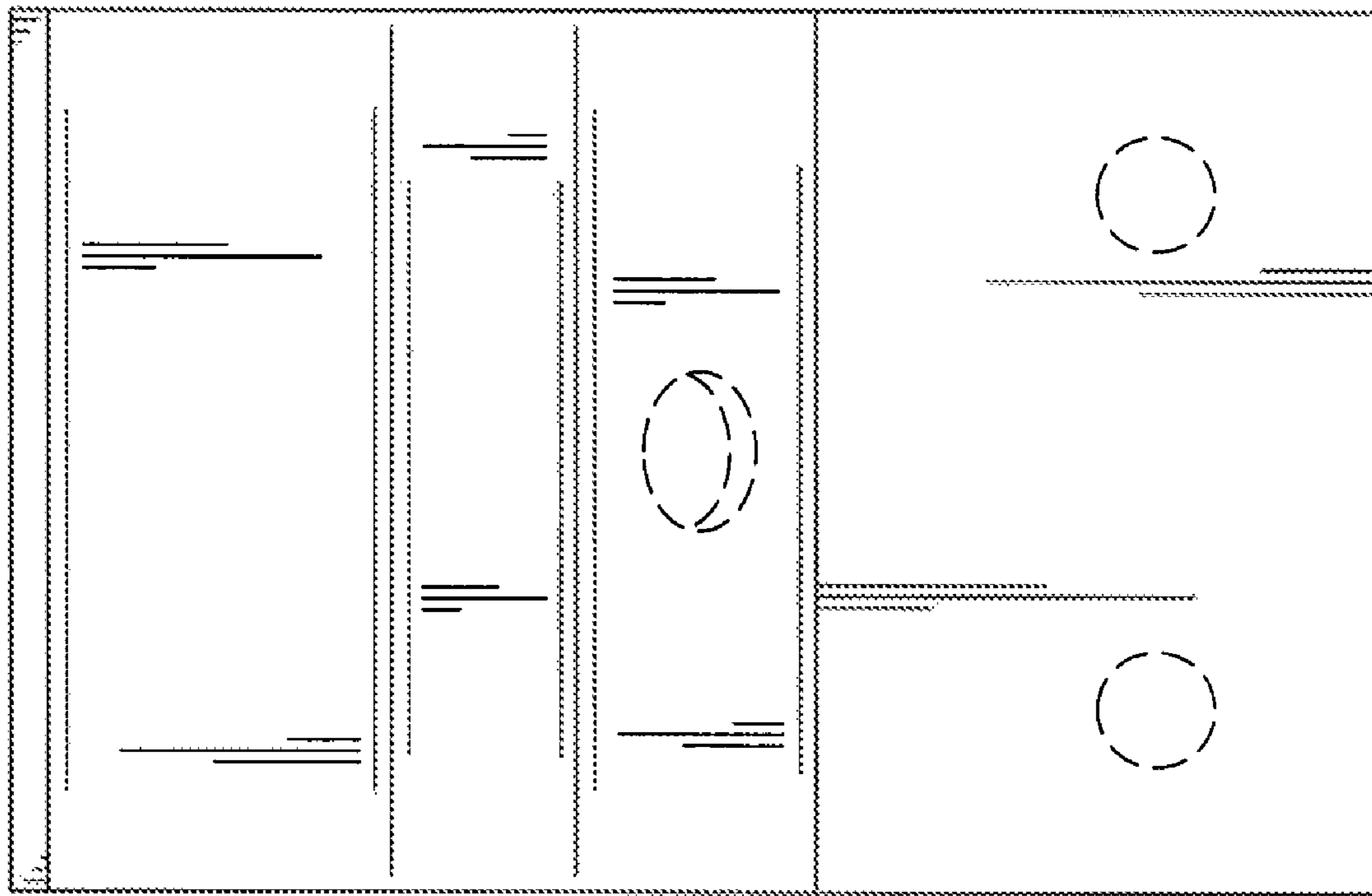


FIG. 6

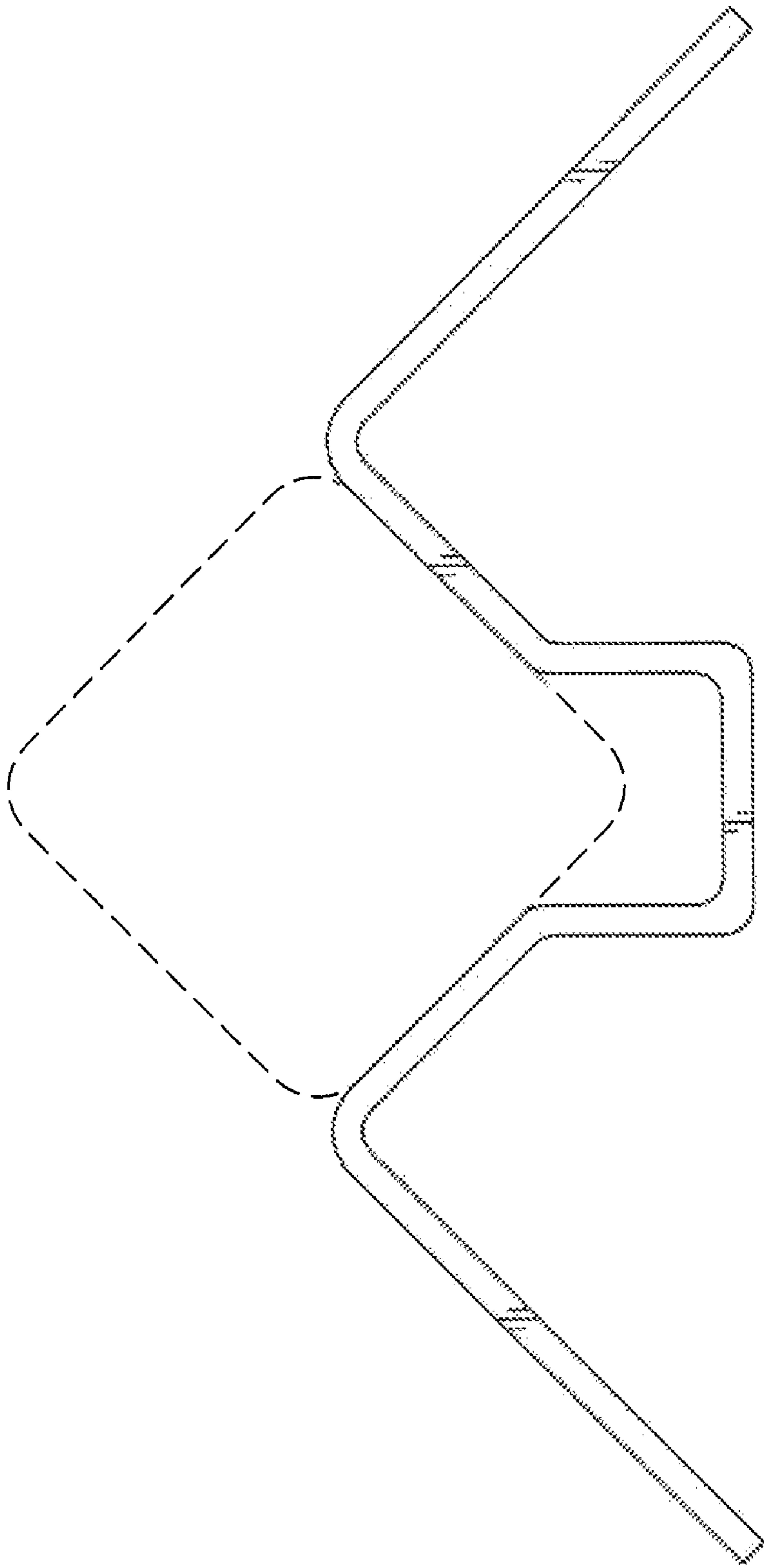


FIG. 7

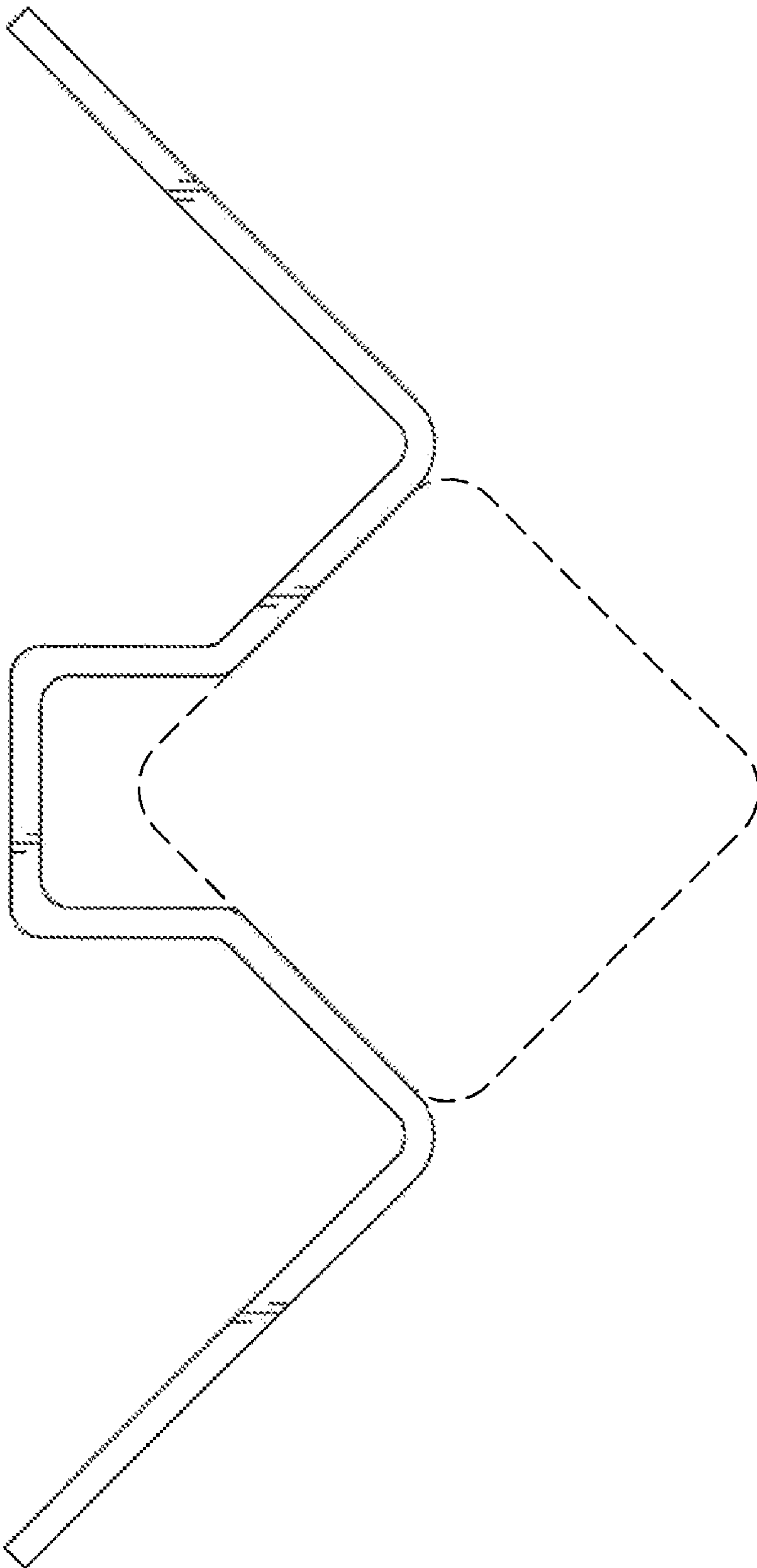


FIG. 8

UNITED STATES PATENT AND TRADEMARK OFFICE
CERTIFICATE OF CORRECTION

PATENT NO. : Des. 579,321 S
APPLICATION NO. : 29/299032
DATED : October 28, 2008
INVENTOR(S) : Townley

Page 1 of 10

It is certified that error appears in the above-identified patent and that said Letters Patent is hereby corrected as shown below:

The title page showing the illustrative figure should be deleted to be replaced with the attached title page.

The drawing sheets, consisting of Figs. 1-8, should be deleted to be replaced with the drawing sheets, consisting of Figs. 1-8, as shown on the attached page.

Signed and Sealed this

Thirtieth Day of December, 2008

A handwritten signature in black ink that reads "Jon W. Dudas". The signature is written in a cursive style with a large, looped initial "J".

JON W. DUDAS

Director of the United States Patent and Trademark Office

(12) **United States Design Patent**
Townley

(10) **Patent No.:** US D579,321 S
(45) **Date of Patent:** ** Oct. 28, 2008

(54) **STRUCTURAL SUPPORT BRACKET**

(75) **Inventor:** Jason S. Townley, San Francisco, CA (US)

(73) **Assignee:** BMI Supply Incorporated, Queensbury, NY (US)

(**) **Term:** 14 Years

(21) **Appl. No.:** 29/299,032

(22) **Filed:** Dec. 18, 2007

(51) **LOC (S) Cl.** 08-06

(52) **U.S. Cl.** D8/354

(58) **Field of Classification Search** D8/349, D8/354, 366, 382; D25/68, 119, 121, 126, D25/133; 248/205.1, 247, 248, 309.1; 52/696
See application file for complete search history.

(56) **References Cited**

U.S. PATENT DOCUMENTS

D288,407 S *	2/1987	St. Alban	D8/354
D342,011 S *	12/1993	Maguire	D8/349
D432,671 S *	10/2000	Grasille	D25/119
D511,217 S *	11/2005	Bullock et al.	D25/119
D551,537 S *	9/2007	Richardson	D8/354

OTHER PUBLICATIONS

"Leg-a-matic" by Theatrical Hardware Inc. Products website [www.theatricalhardware.com/products.html] 2007

"Leg-a-matic" Advertisement; Lighting & Sound America, Feb. 2008.

"Rings, Irons, Bolt Plates & Corners," p. 4 of Mutual Hardware Corporation catalog, 2005.

* cited by examiner

Primary Examiner—Holly H. Daynham

Assistant Examiner—Cynthia M. Chin

(74) *Attorney, Agent, or Firm*—Healin Rothenberg Farley & Mesiti P.C.

(57) **CLAIM**

The ornamental design for a structural support bracket, as shown and described.

DESCRIPTION

FIG. 1 is a front perspective view of a structural support bracket comprising the new design;

FIG. 2 is a rear perspective view thereof;

FIG. 3 is a front elevation view thereof;

FIG. 4 is a rear elevation view thereof;

FIG. 5 is a right side elevation view thereof;

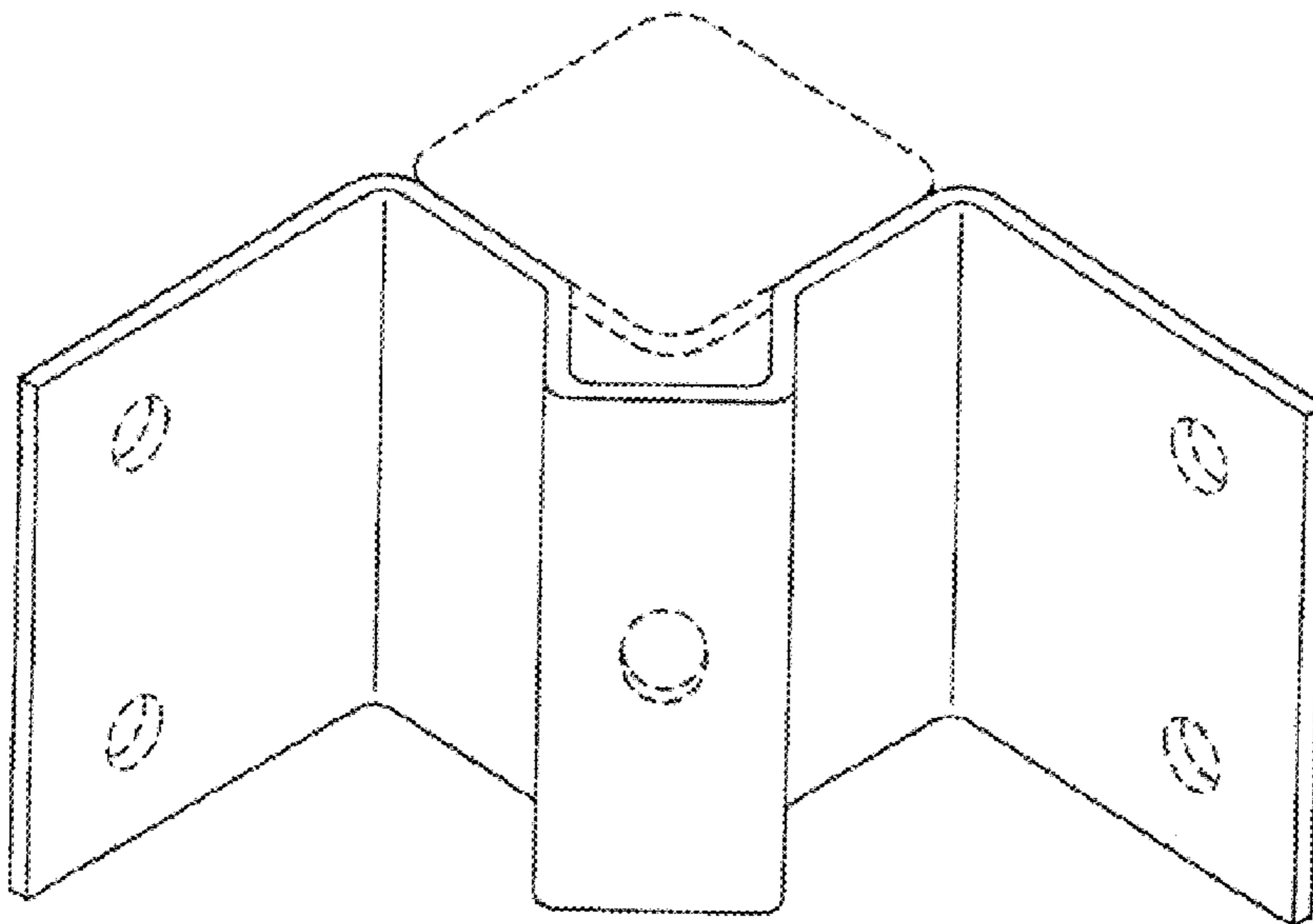
FIG. 6 is a left side elevation view thereof;

FIG. 7 is a top view thereof; and,

FIG. 8 is a bottom view thereof.

The broken lines are for illustrative purposes and form no part of the claimed design.

1 Claim, 8 Drawing Sheets



U.S. Patent

Oct. 28, 2008

Sheet 1 of 8

D579,321 S

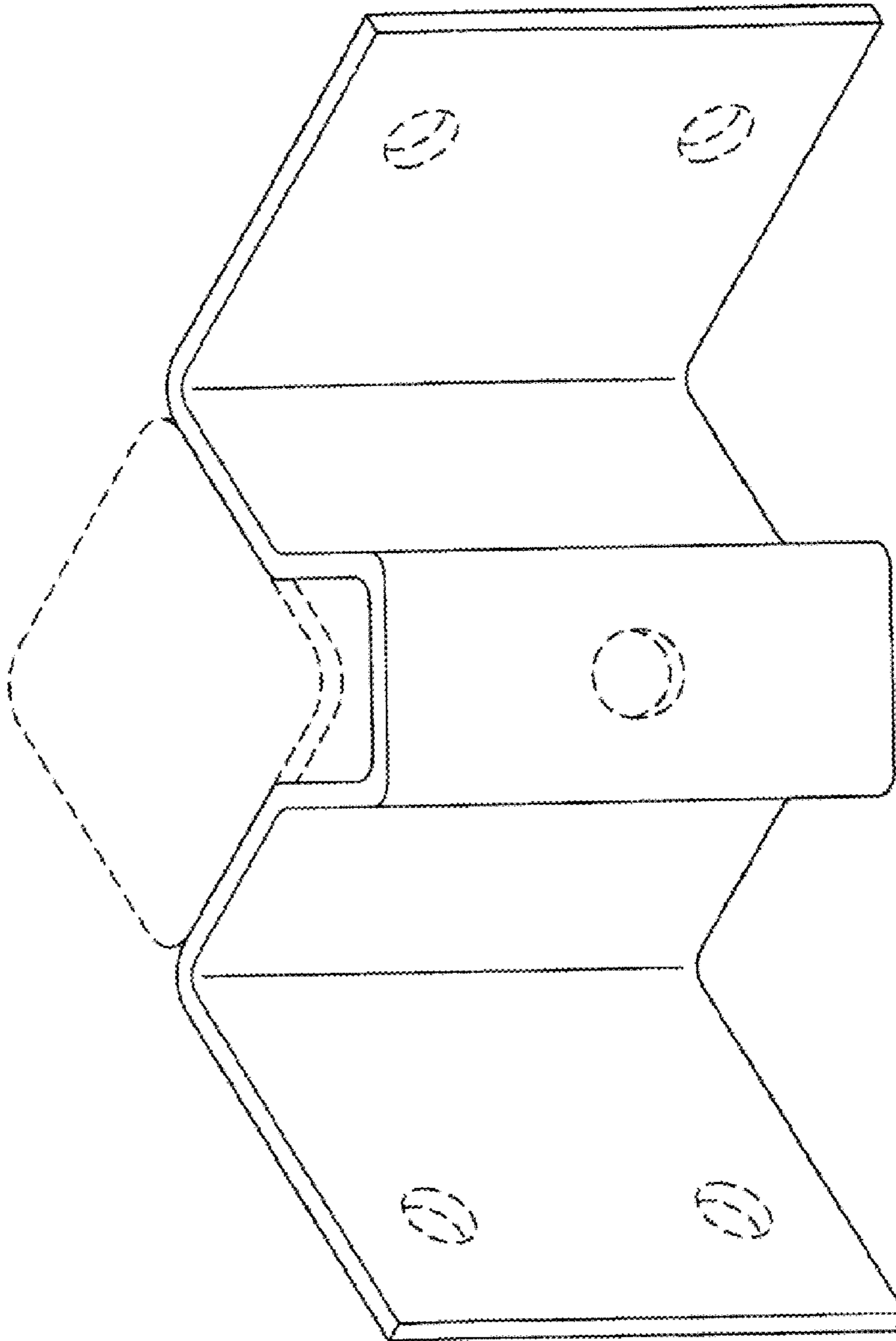


FIG. 1

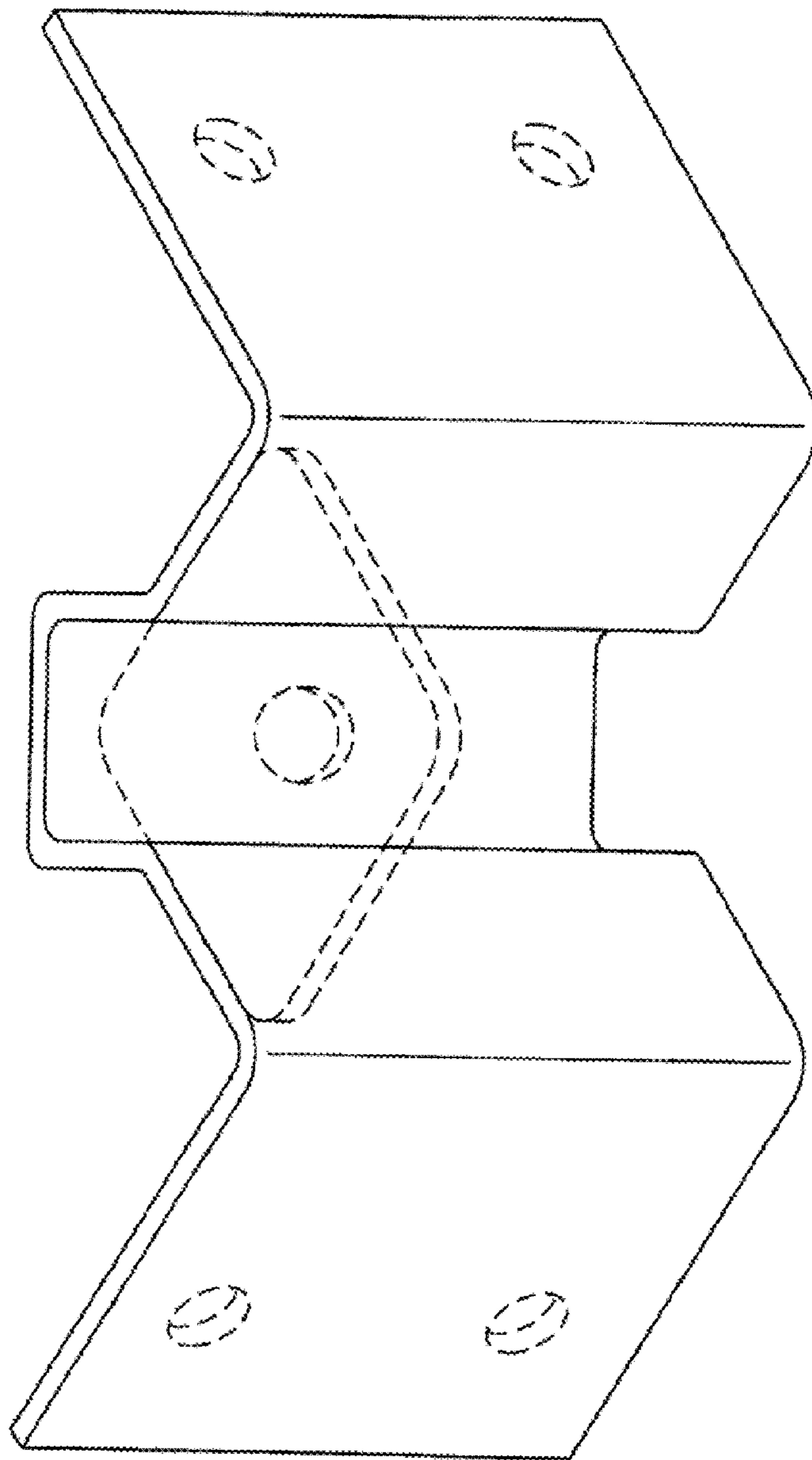


FIG. 2

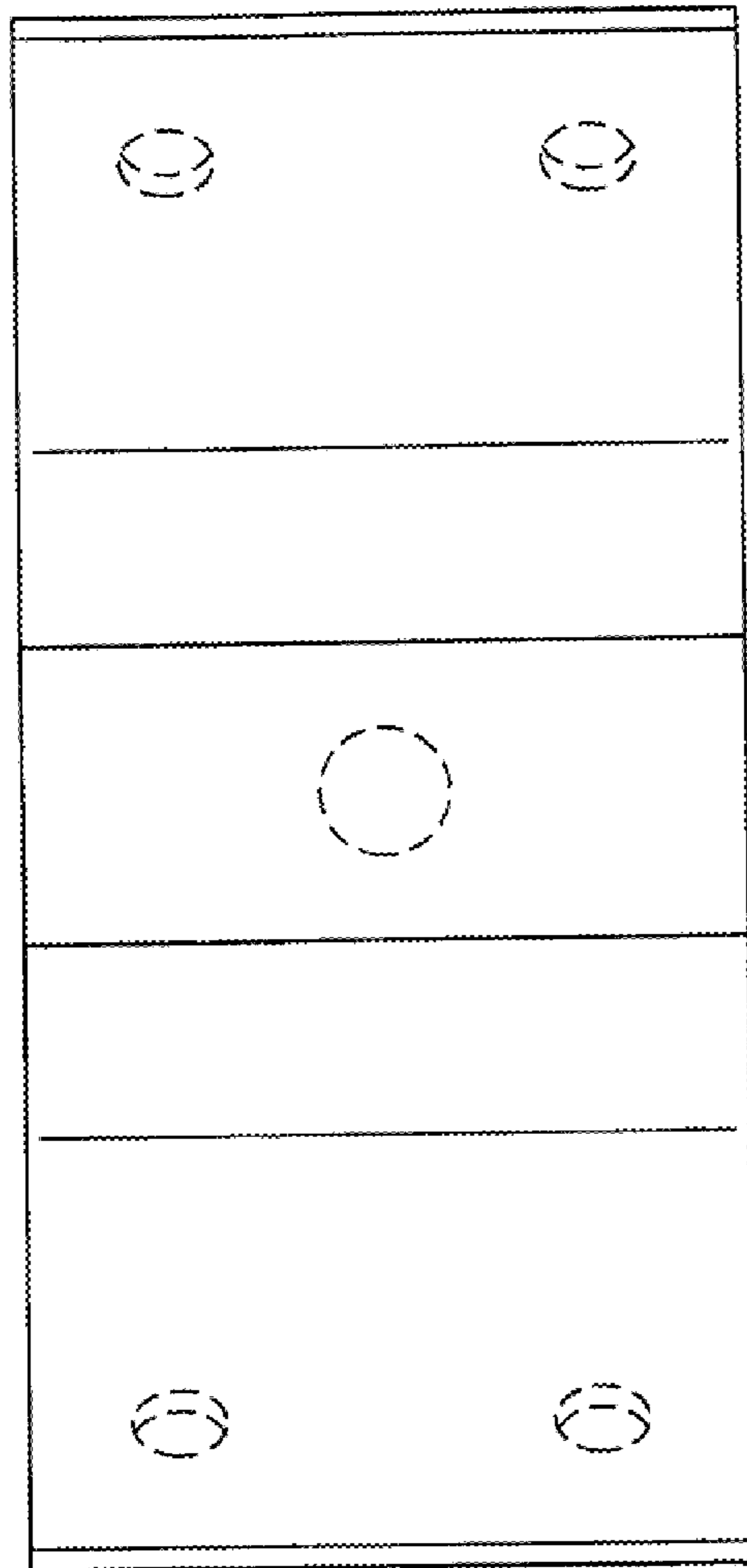


FIG. 3

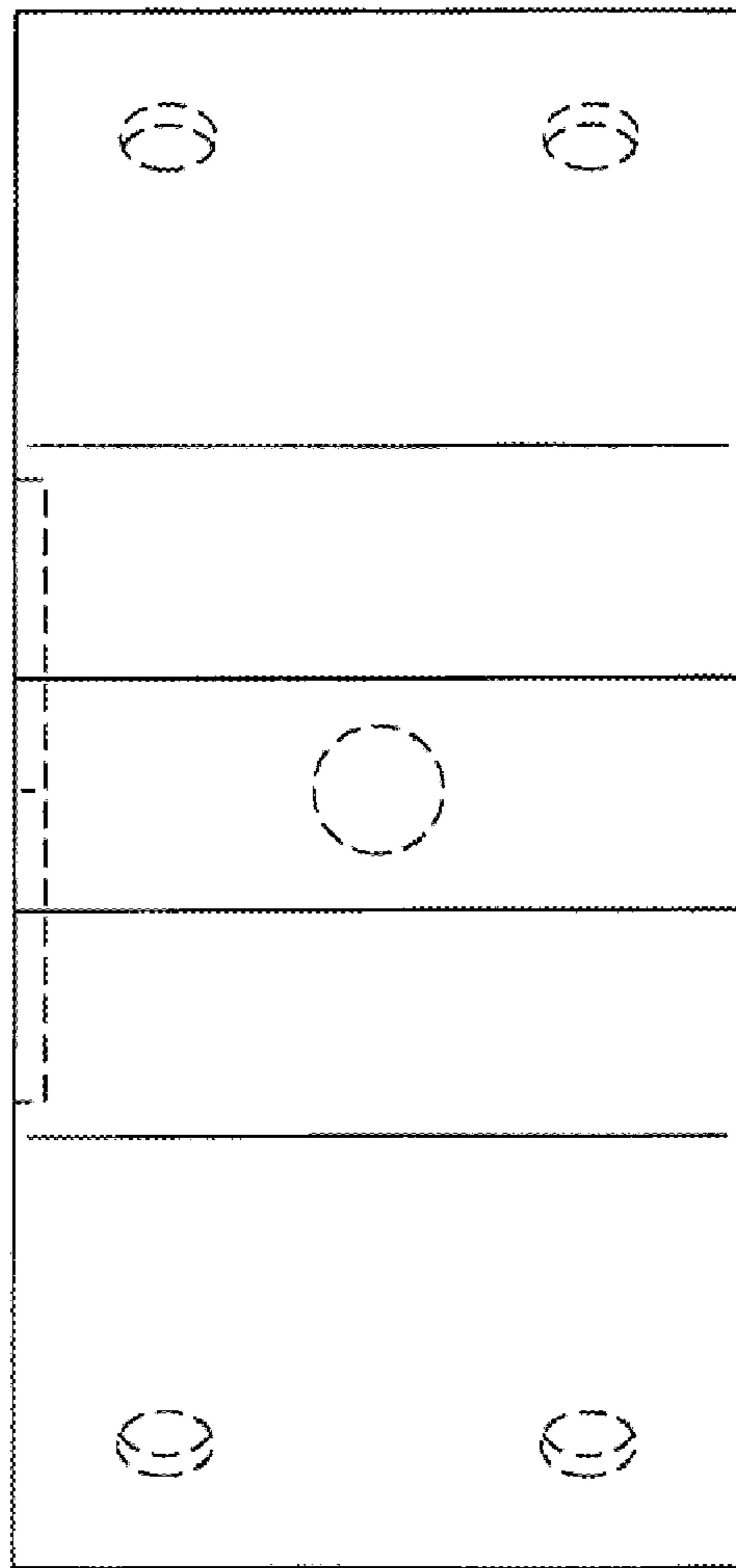


FIG. 4

U.S. Patent

Oct. 28, 2008

Sheet 5 of 8

D579,321 S

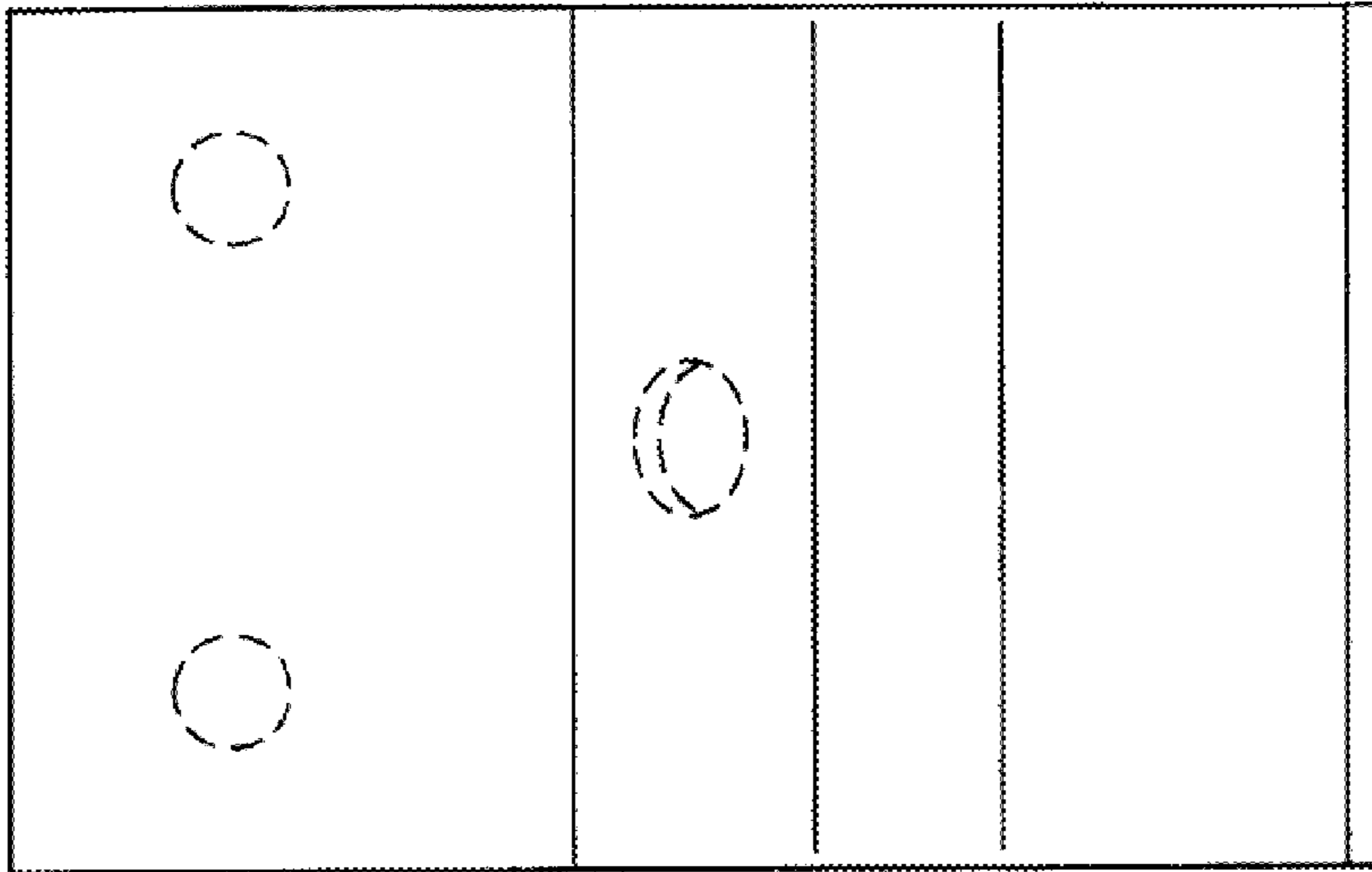


FIG. 5

U.S. Patent

Oct. 28, 2008

Sheet 6 of 8

D579,321 S

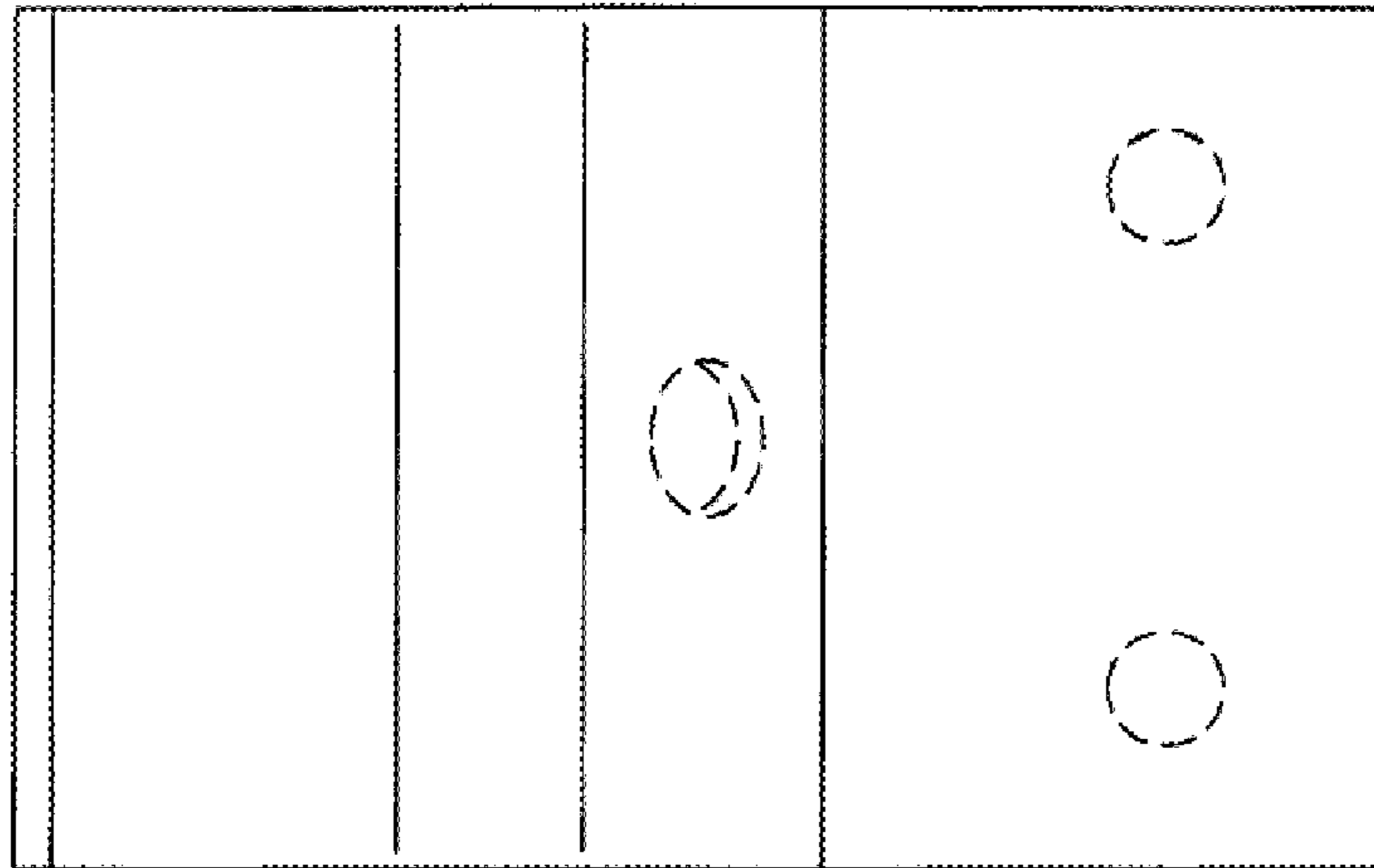


FIG. 6

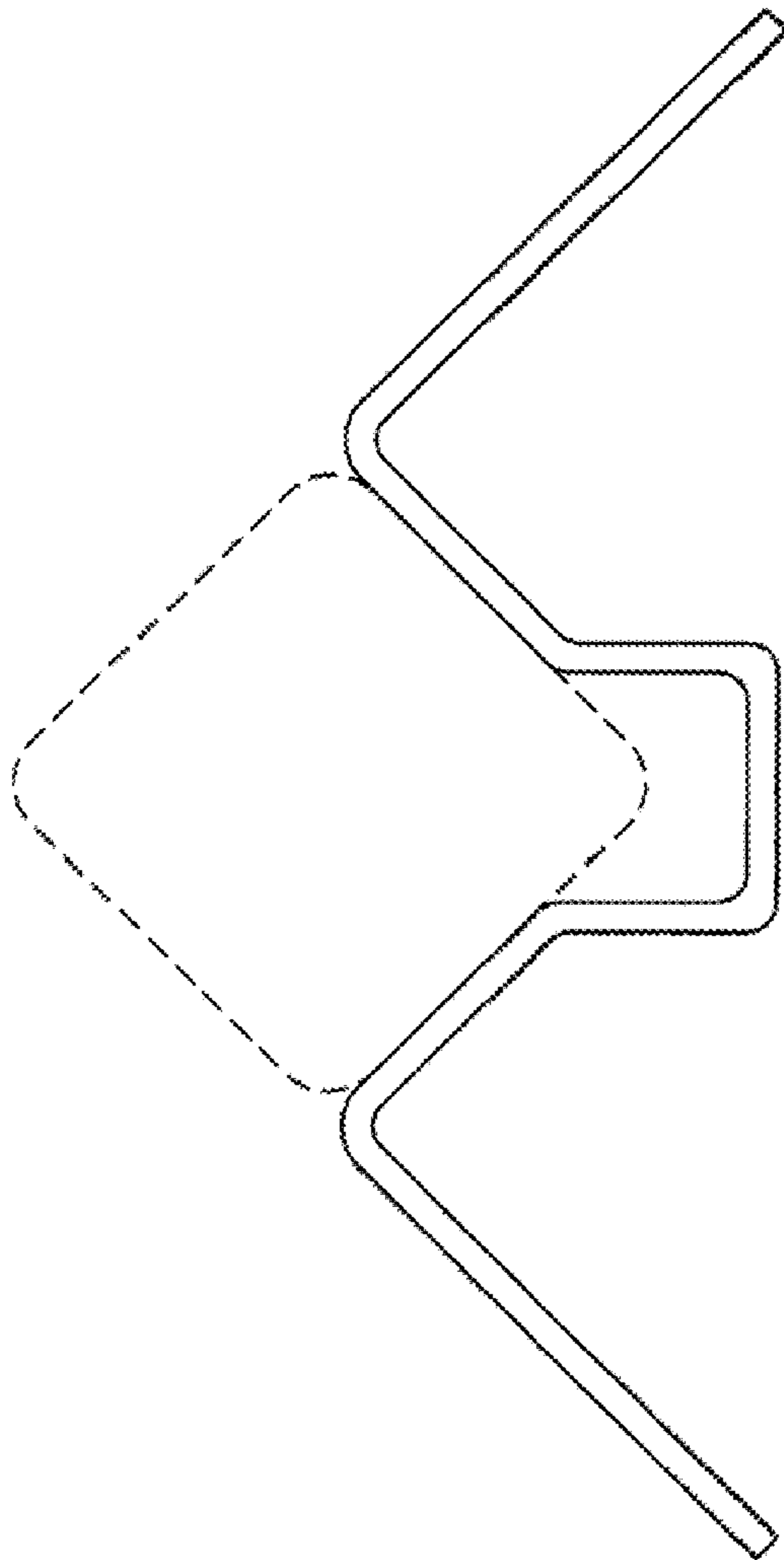


FIG. 7

U.S. Patent

Oct. 28, 2008

Sheet 8 of 8

D579,321 S

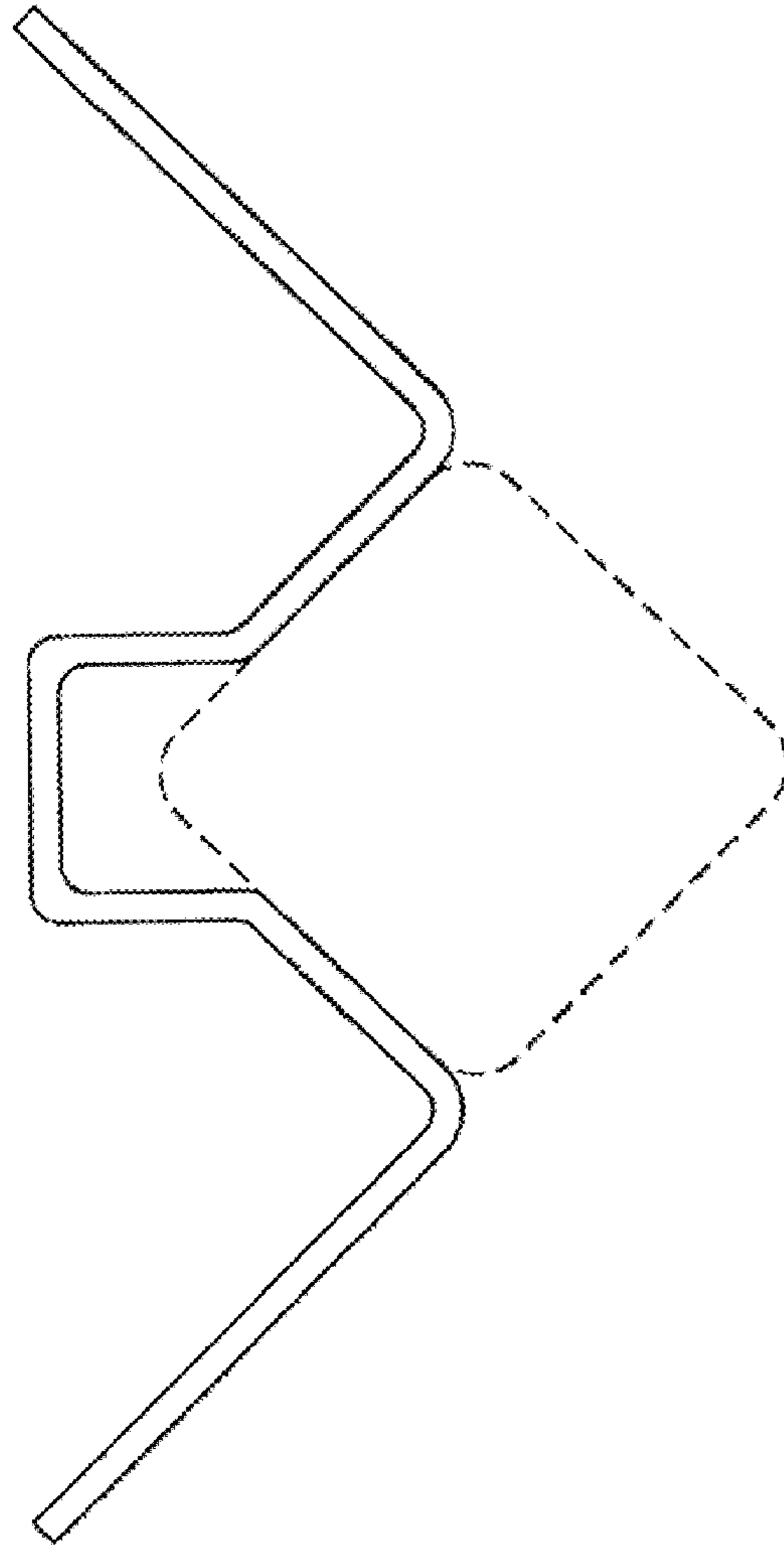


FIG. 8