



US00D579320S

(12) **United States Design Patent**
Svedberg

(10) **Patent No.:** **US D579,320 S**

(45) **Date of Patent:** **** Oct. 28, 2008**

(54) **WALL ATTACHMENT**

Primary Examiner—Holly H Baynham

(74) *Attorney, Agent, or Firm*—Albihns AB

(75) Inventor: **Joakim Svedberg**, Frösön (SE)

(73) Assignee: **Combisafe International AB**, Östersund (SE)

(57) **CLAIM**

(**) Term: **14 Years**

The ornamental design for a wall attachment, as shown and described.

(21) Appl. No.: **29/298,479**

(22) Filed: **Dec. 6, 2007**

DESCRIPTION

Related U.S. Application Data

(62) Division of application No. 29/258,760, filed on Apr. 27, 2006, now Pat. No. Des. 570,197.

FIG. 1 is a left side view of a wall attachment, according to my new design;

FIG. 2 is a right side view thereof;

FIG. 3 is a front view thereof;

FIG. 4 is a rear view thereof;

FIG. 5 is a top view thereof;

FIG. 6 is a bottom view thereof; and,

FIG. 7 is a right side top perspective view thereof.

(30) **Foreign Application Priority Data**

Nov. 1, 2005 (EM) 000424536-0

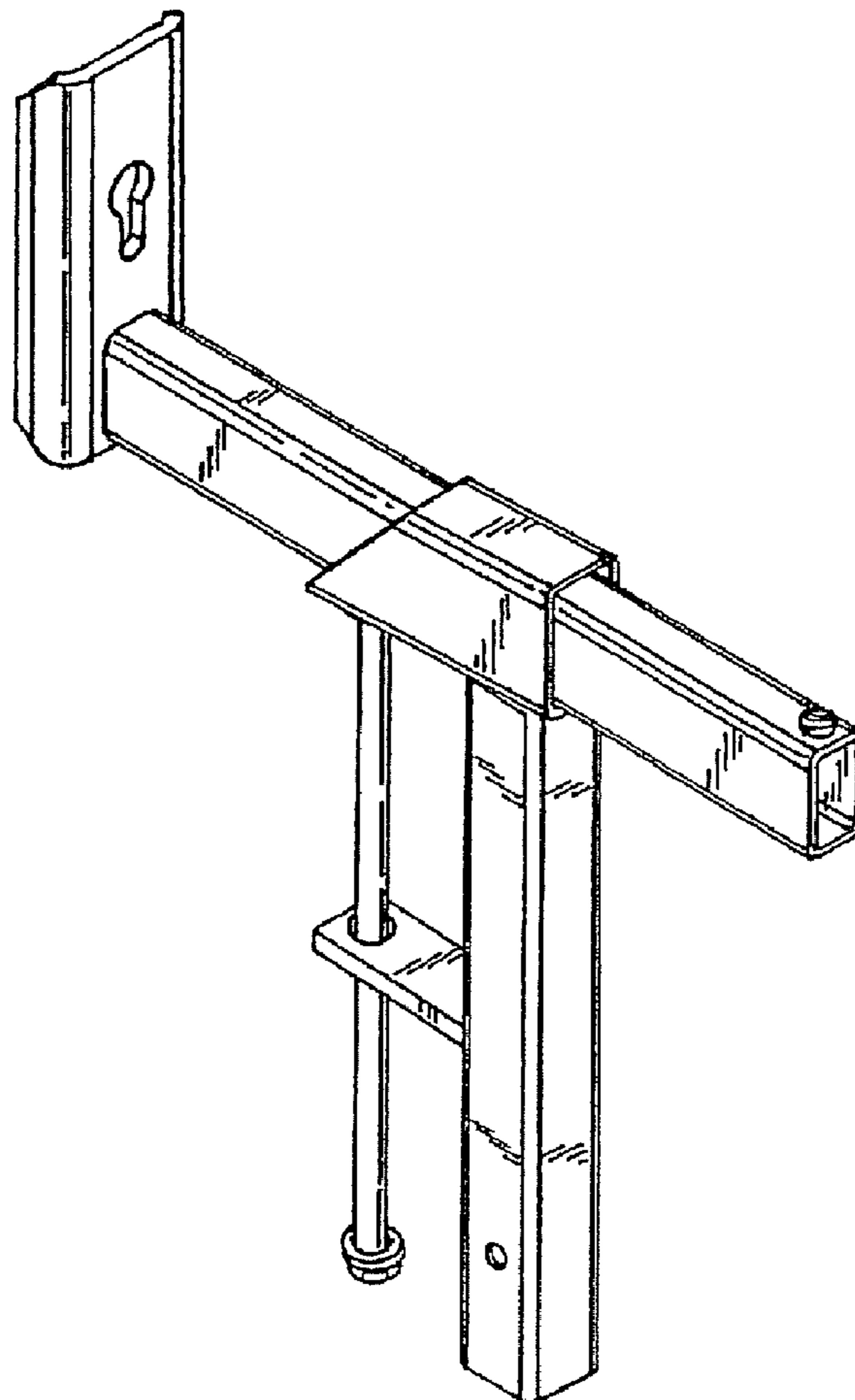
(51) **LOC (8) Cl.** **08-05**

(52) **U.S. Cl.** **D8/354**

(58) **Field of Classification Search** D8/349,
D8/354, 380; 248/300, 244, 145, 235

See application file for complete search history.

1 Claim, 2 Drawing Sheets



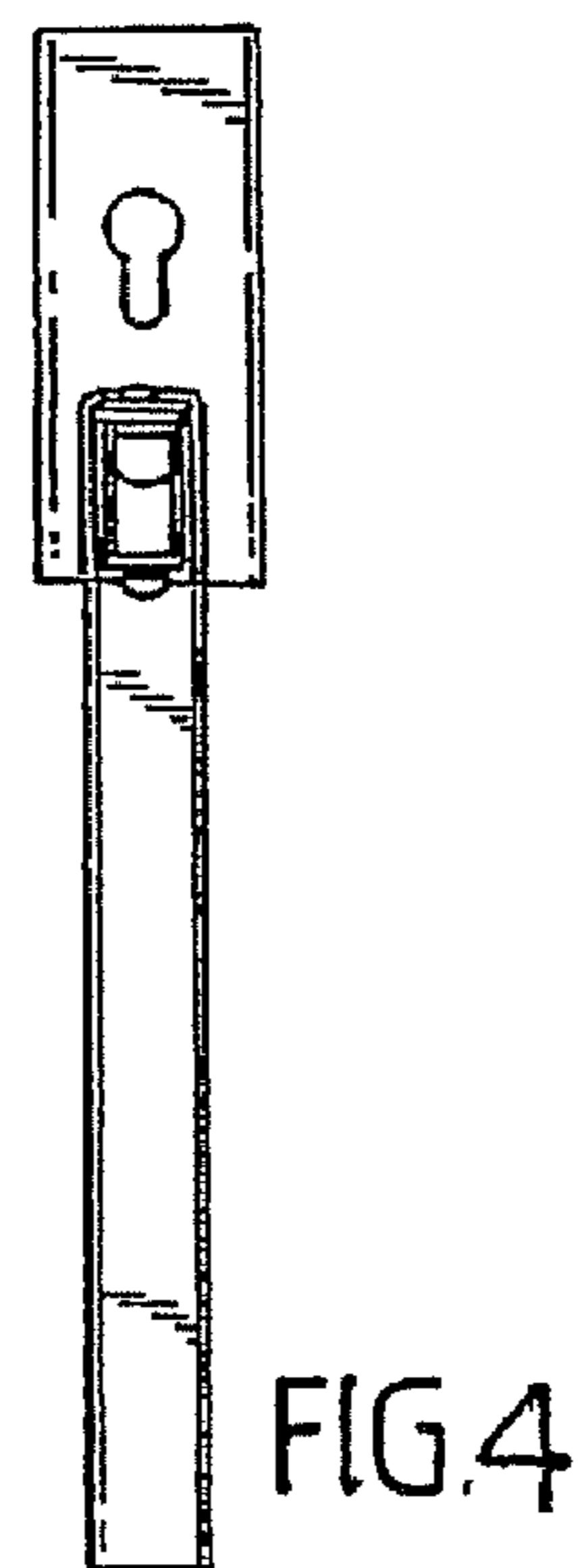
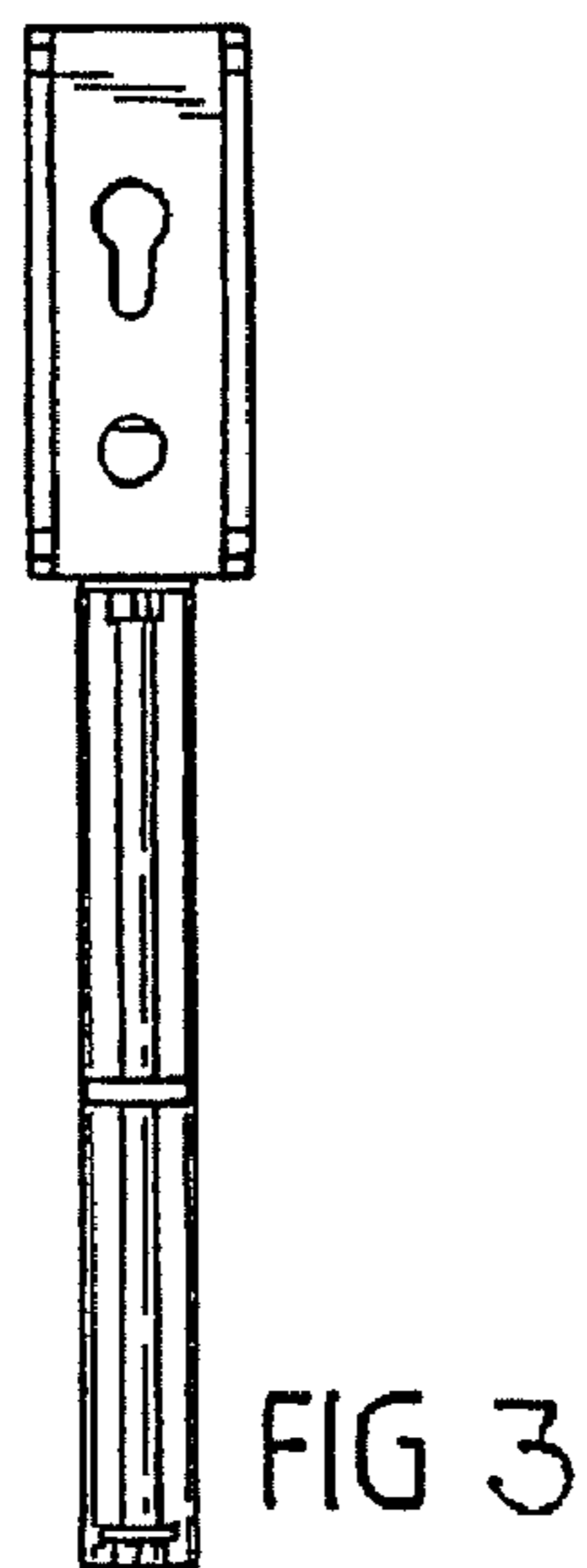
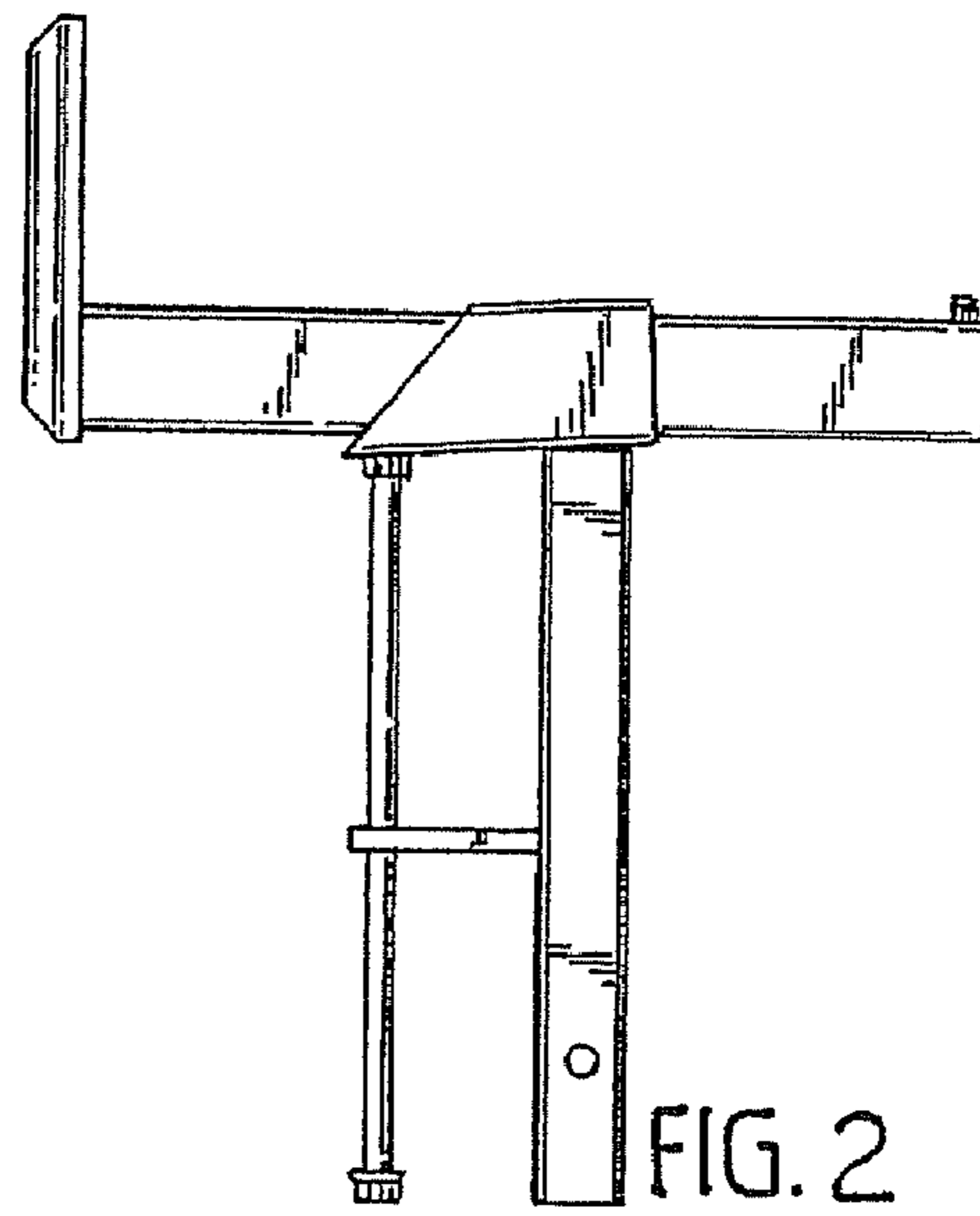
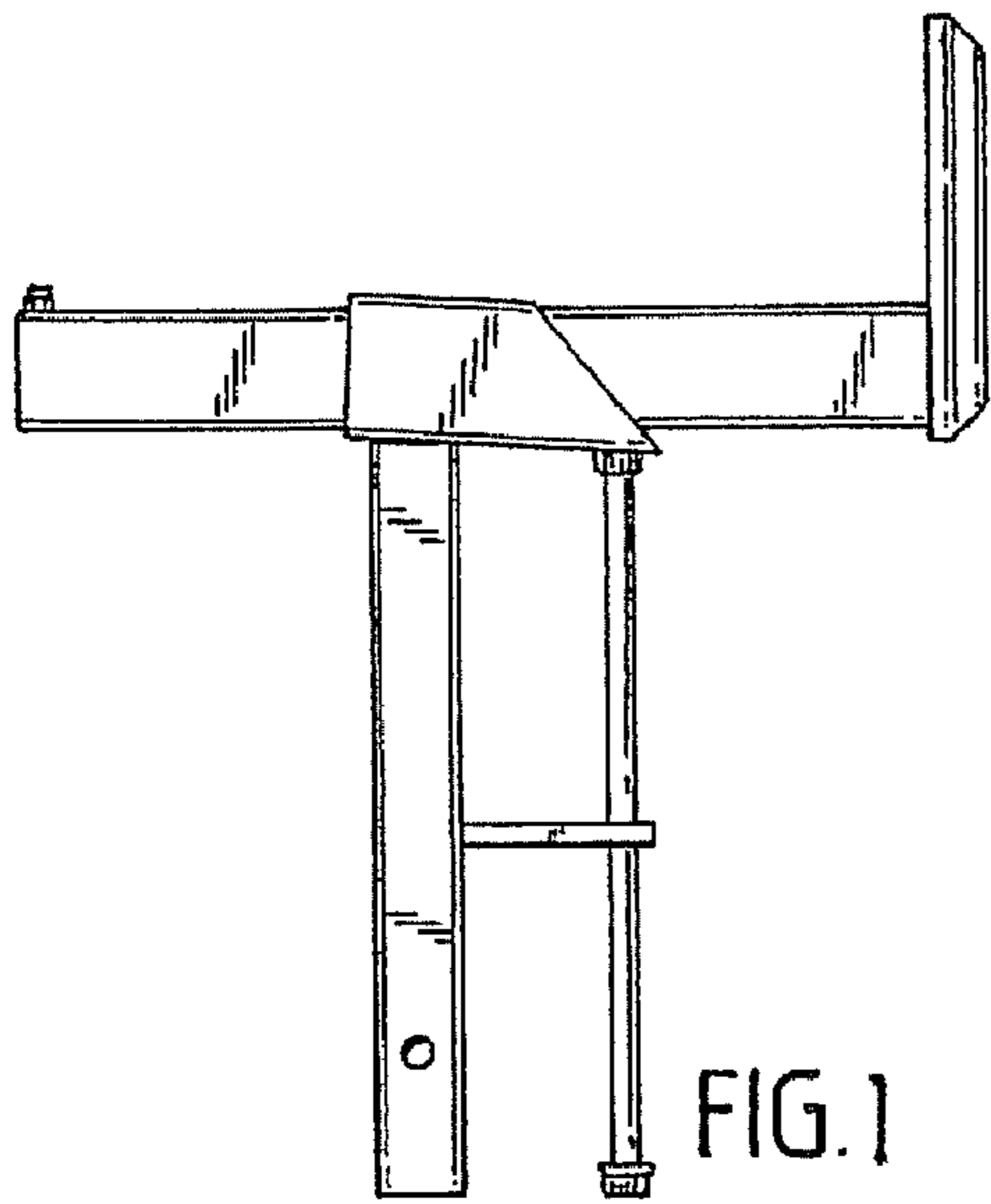




FIG. 5



FIG. 6

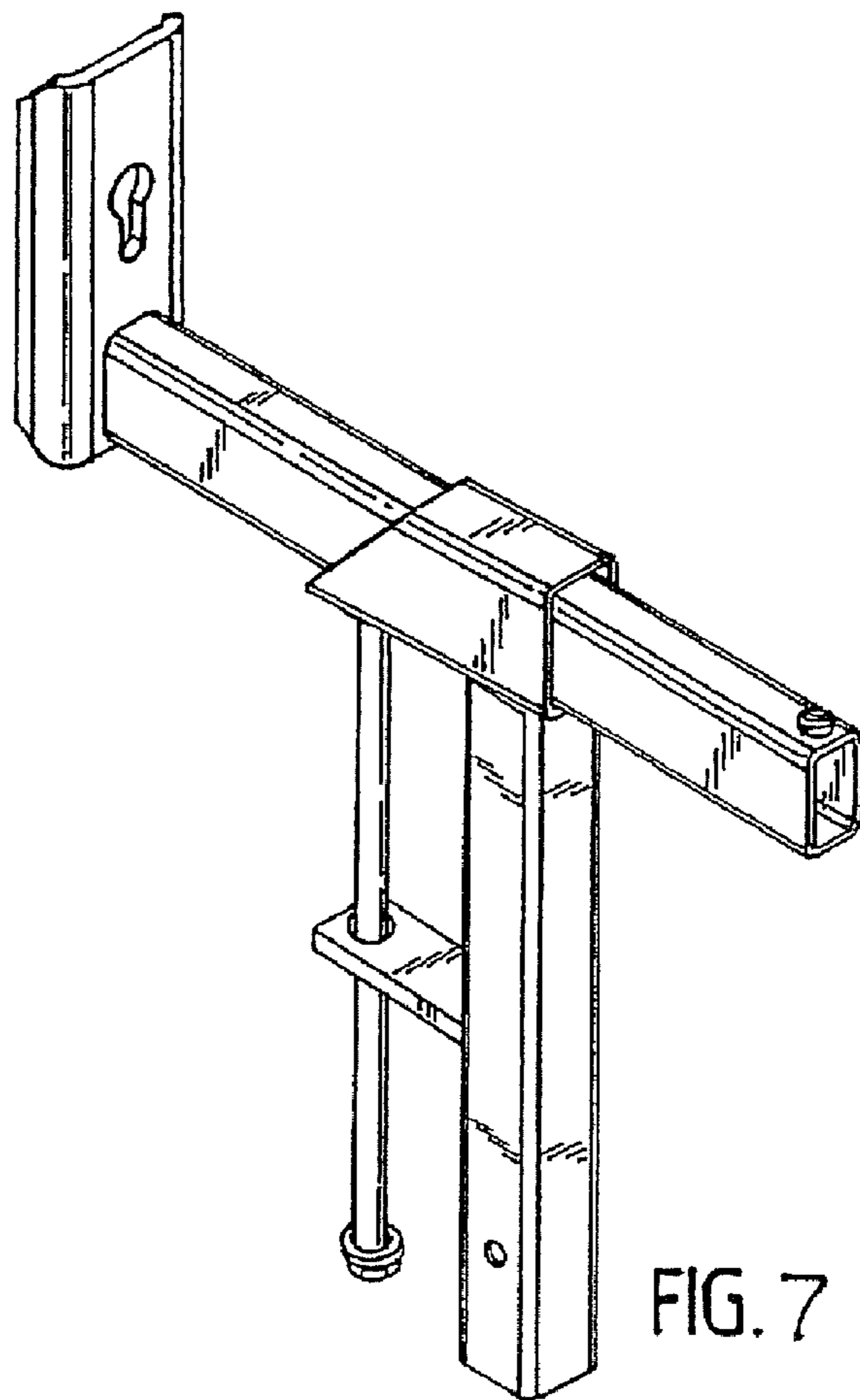


FIG. 7