



US00D579318S

(12) **United States Design Patent**  
**Davis**

(10) **Patent No.:** **US D579,318 S**  
(45) **Date of Patent:** **\*\* Oct. 28, 2008**

(54) **KEY FOR AN ELECTRONIC LOCK**

(75) Inventor: **Paul Davis**, Corvallis, OR (US)

(73) Assignee: **Videx, Inc.**, Corvallis, OR (US)

(\*\*) Term: **14 Years**

(21) Appl. No.: **29/307,267**

(22) Filed: **Apr. 8, 2008**

(51) **LOC (8) Cl.** ..... **08-07**

(52) **U.S. Cl.** ..... **D8/347**

(58) **Field of Classification Search** ..... D8/343,  
D8/347, 331; 70/14, 51, 285, 336, 340, 344-348,  
70/357, 361, 369, 382, 389, 393, 408, 413,  
70/423, 429, 430, 460, 34, 277, 294, 402,  
70/DIG. 48, 464, DIG. 47

See application file for complete search history.

(56) **References Cited**

**U.S. PATENT DOCUMENTS**

D443,498	S *	6/2001	Finch	.....	D8/347
D457,051	S *	5/2002	Davis	.....	D8/347
D461,701	S *	8/2002	Kang	.....	D8/347
6,460,386	B1 *	10/2002	Watanuki et al.	.....	70/456 R
6,628,008	B2 *	9/2003	Steinmueller et al.	.....	307/10.3
7,041,924	B2 *	5/2006	Jeschke et al.	.....	200/302.2
D529,371	S *	10/2006	Kim	.....	D8/347
D534,414	S *	1/2007	Stifle et al.	.....	D8/347

D557,111	S *	12/2007	Ydremark et al.	.....	D8/347
2007/0199812	A1 *	8/2007	Seidel	.....	200/329
2007/0271975	A1 *	11/2007	Seidel	.....	70/395

**OTHER PUBLICATIONS**

Dickey, Richard Allen, The CyberLock from Videx, The National Locksmith, Aug. 2001, 6 pages, USA.

\* cited by examiner

*Primary Examiner*—Prabhakar Deshmukh

(74) *Attorney, Agent, or Firm*—Chernoff, Vilhauer, McClung & Stenzel, LLP

(57) **CLAIM**

The ornamental design for a key for an electronic lock, as shown and described.

**DESCRIPTION**

FIG. 1 is perspective view of a key for an electronic lock showing my new design;

FIG. 2 is a front elevational view thereof;

FIG. 3 is a rear elevational view thereof;

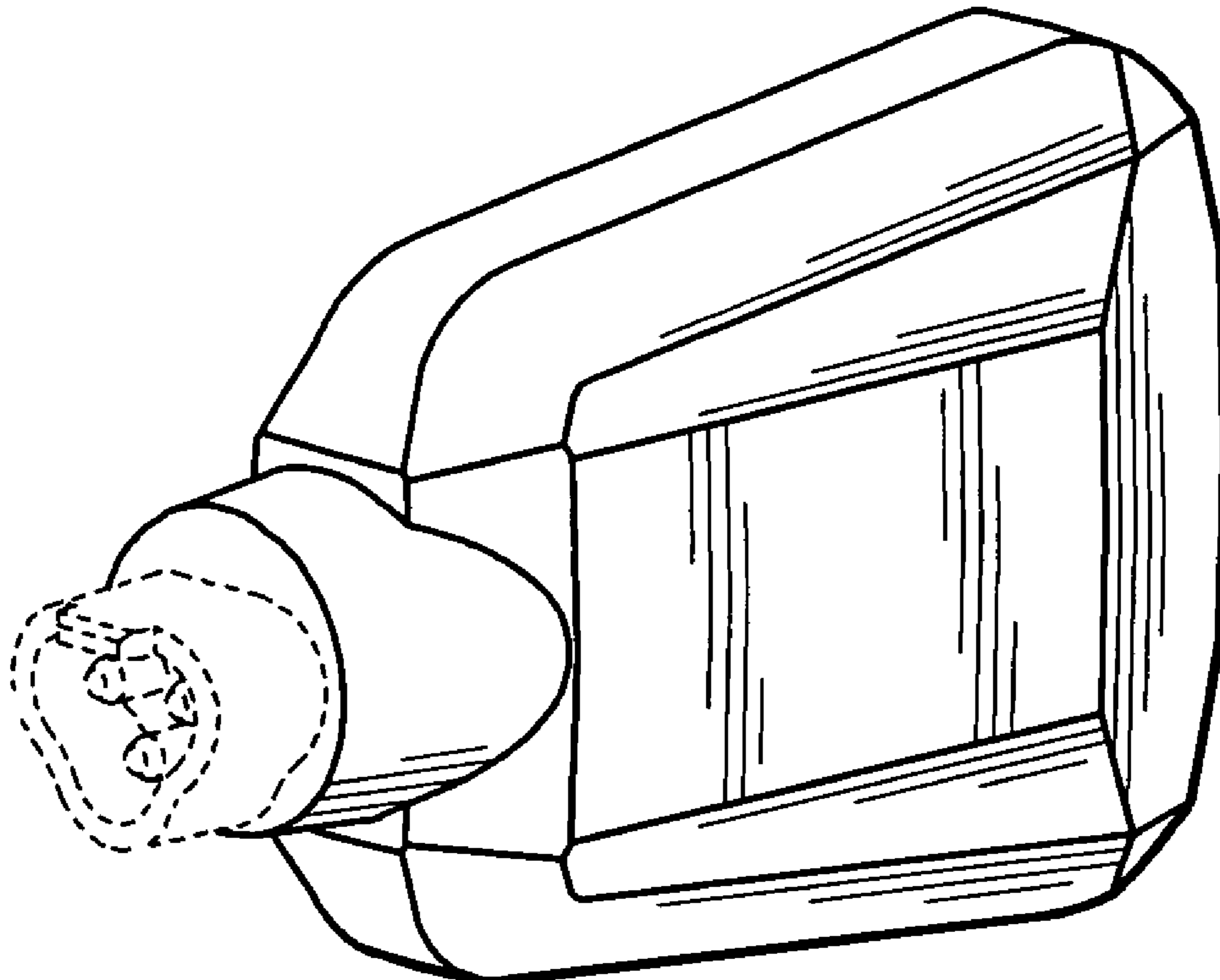
FIG. 4 is a right side elevational view thereof;

FIG. 5 is a top plan view thereof; and,

FIG. 6 is a left side elevational view thereof.

The broken lines illustrating environment is for illustrative purpose only and forms no part of the claimed design.

**1 Claim, 2 Drawing Sheets**



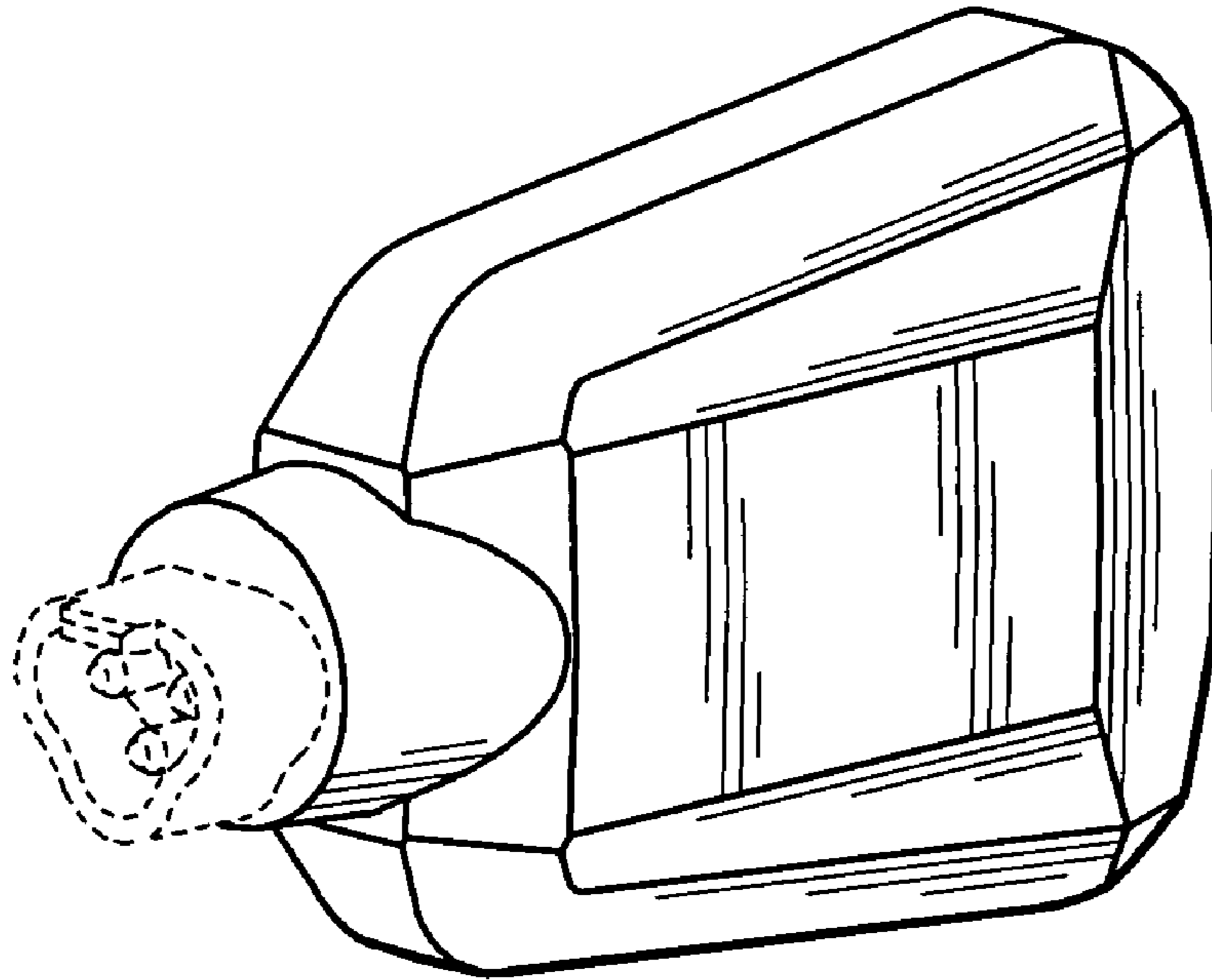


FIG. 1

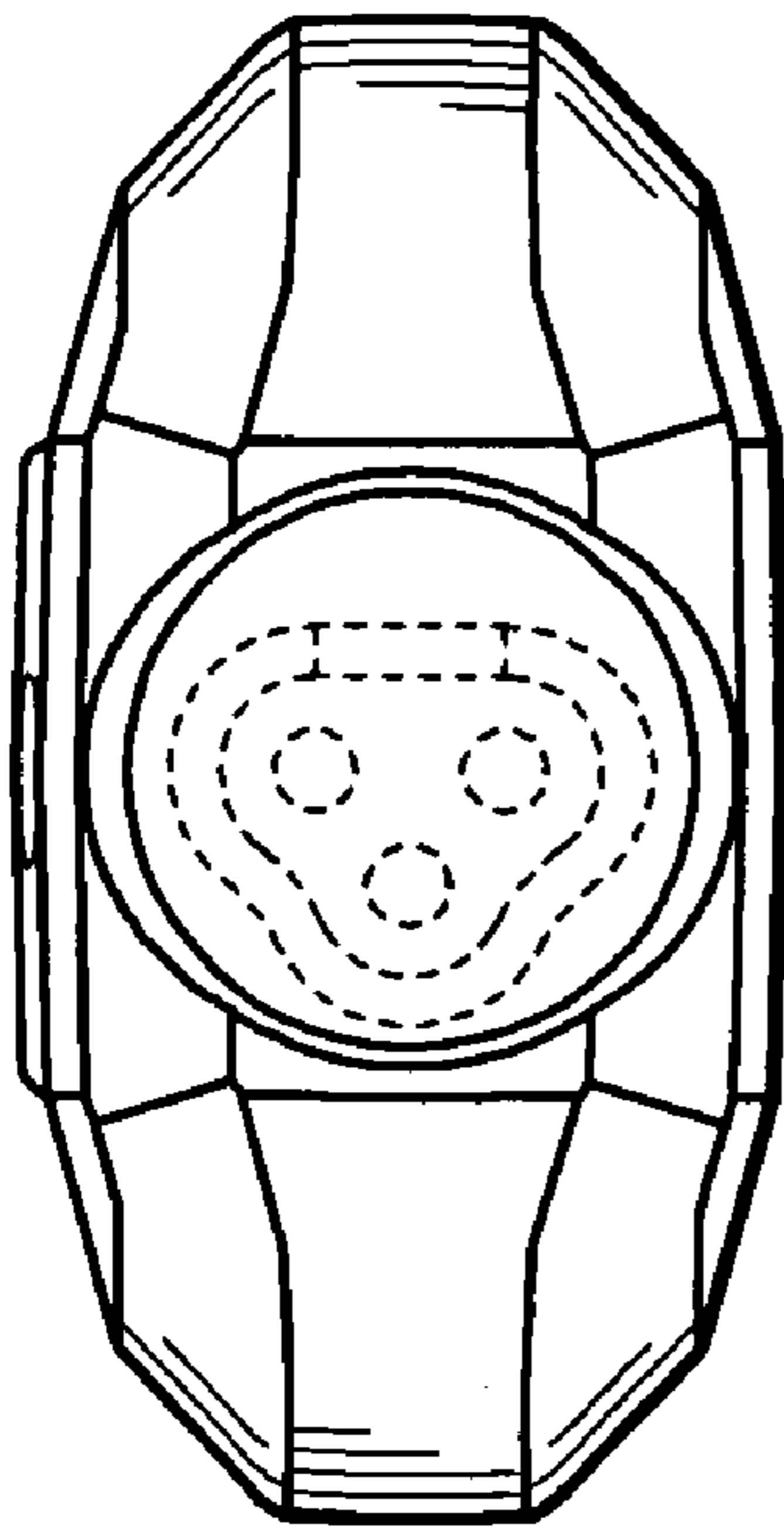


FIG. 2

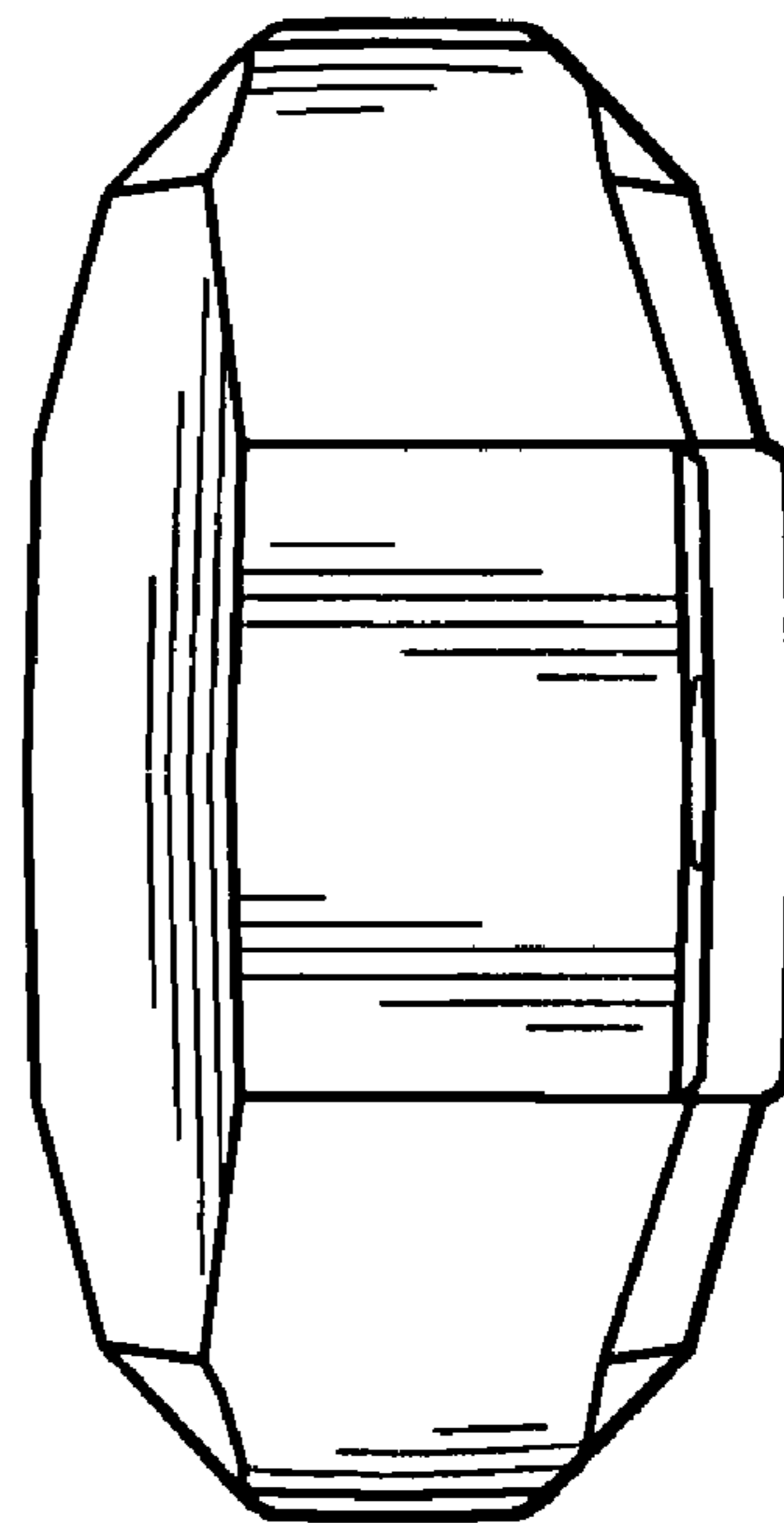


FIG. 3

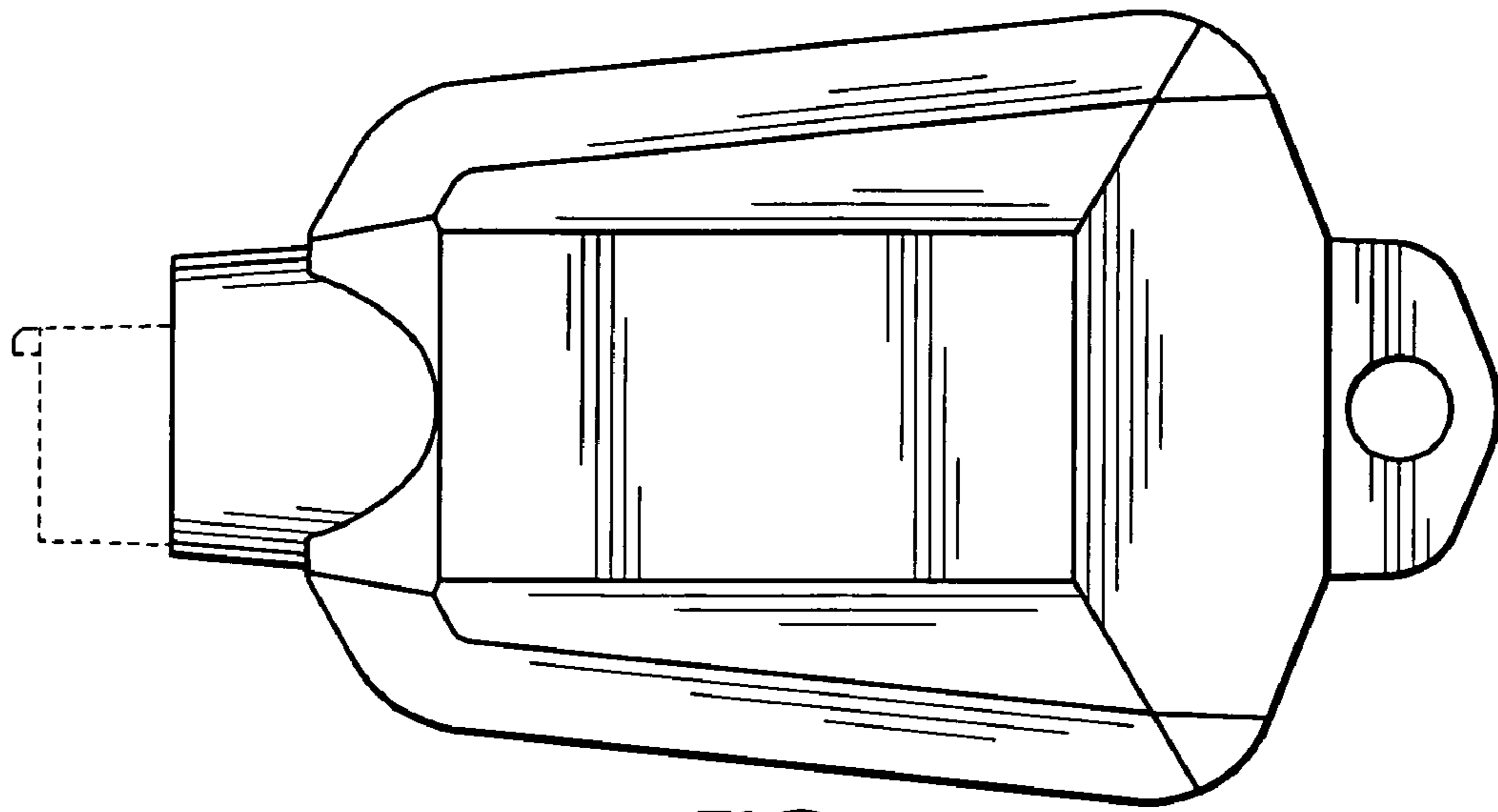


FIG. 4

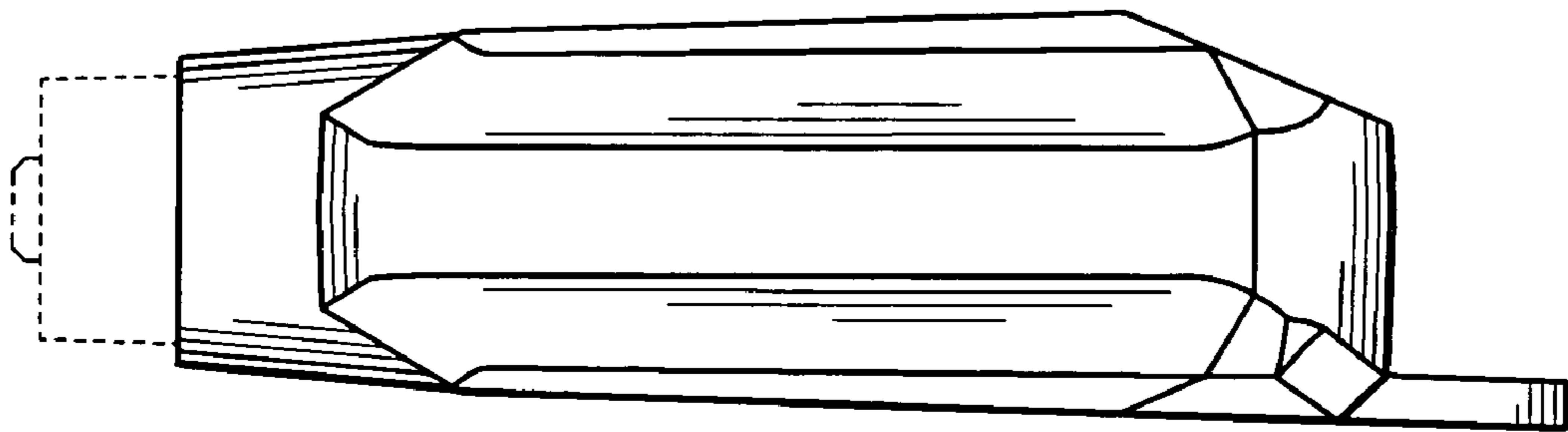


FIG. 5

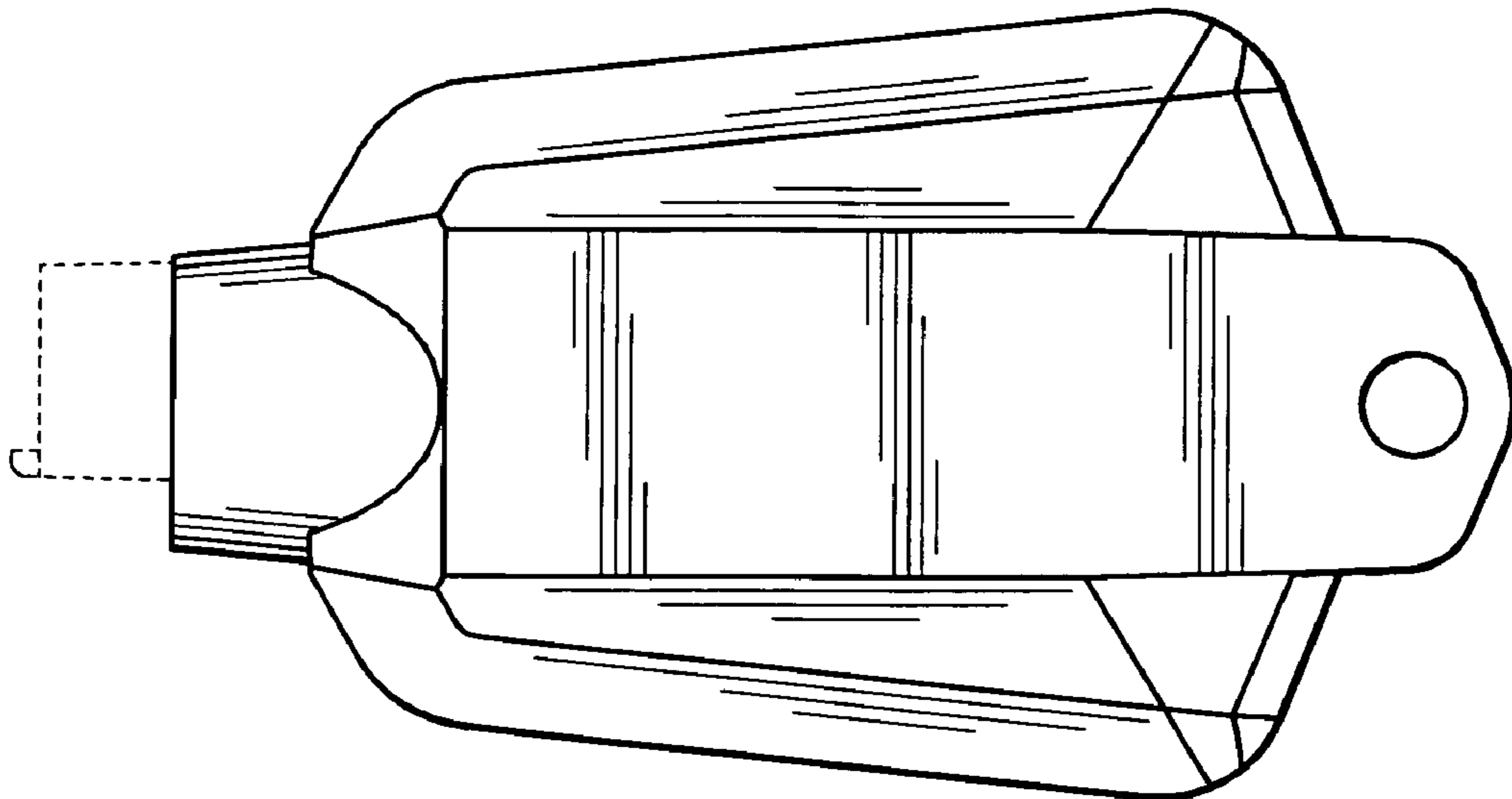


FIG. 6