



US00D579317S

(12) **United States Design Patent**
Sykes

(10) **Patent No.:** **US D579,317 S**

(45) **Date of Patent:** **** Oct. 28, 2008**

(54) **CAMMING LATCH**

(75) Inventor: **Brian Sykes**, Norristown, PA (US)

(73) Assignee: **Southco, Inc.**, Concordville, PA (US)

(**) Term: **14 Years**

(21) Appl. No.: **29/186,810**

(22) Filed: **Jul. 22, 2003**

(51) **LOC (8) Cl.** **08-07**

(52) **U.S. Cl.** **D8/338**

(58) **Field of Classification Search** D8/330,
D8/331, 333, 343, 339, 301, 302, 341; 70/77,
70/78, 79, 57, 58, 89, 158, 230, 372, 431;
292/307, DIG. 11, 37

See application file for complete search history.

(56) **References Cited**

U.S. PATENT DOCUMENTS

2,852,926	A *	9/1958	Chervenka	70/79
3,399,555	A *	9/1968	Gray et al.	70/369
4,442,341	A *	4/1984	Lesquereux et al.	219/201
4,712,400	A *	12/1987	Steinbach	70/369
4,732,562	A *	3/1988	Palsson	432/224
4,843,852	A	7/1989	Foshee et al.	70/367
5,044,183	A *	9/1991	Neyret	70/223
5,235,832	A *	8/1993	Lux et al.	70/368
5,291,767	A	3/1994	Weindorf et al.	70/370
5,315,850	A *	5/1994	Edeus et al.	70/129
D352,884	S *	11/1994	Schlack	D8/331
5,586,459	A	12/1996	Bullock et al.	70/224
D433,309	S *	11/2000	Johansson et al.	D8/331
D435,781	S	1/2001	Freck	D8/338
D471,428	S *	3/2003	Mirick	D8/331

OTHER PUBLICATIONS

CCL Security Products Catalog, 1989, p. 16.*

Chicago Lock Co. Catalog, 1964, p. 32.*

Southco 2002 Catalog, pp. 30, 32 and 34.

* cited by examiner

Primary Examiner—Prabhakar Deshmukh
(74) *Attorney, Agent, or Firm*—Paul & Paul

(57) **CLAIM**

The ornamental design for a camming latch, as shown and described.

DESCRIPTION

FIG. 1 is a top plan view of one embodiment of a camming latch of the present invention.

FIG. 2 is a perspective view of the camming latch of FIG. 1.

FIG. 3 is a right side elevational view of the camming latch of FIG. 1.

FIG. 4 is a front side elevational view of the camming latch of FIG. 1 the opposite side being a mirror image thereof.

FIG. 5 is a left side elevational view of the camming latch of FIG. 1.

FIG. 6 is a bottom plan view of the camming latch of FIG. 1.

FIG. 7 is a top plan view of a camming latch of a second embodiment of the present invention.

FIG. 8 is a perspective view of the camming latch of FIG. 7.

FIG. 9 is a right side elevational view of the camming latch of FIG. 7.

FIG. 10 is a front side elevational view of the camming latch of FIG. 7 the opposite side being a mirror image thereof.

FIG. 11 is a left side elevational view of the camming latch of FIG. 7.

FIG. 12 is a bottom plan view of the camming latch of FIG. 7.

FIG. 13 is a top plan view of a camming latch of a third embodiment of the present invention.

FIG. 14 is a perspective view of the camming latch of FIG. 13.

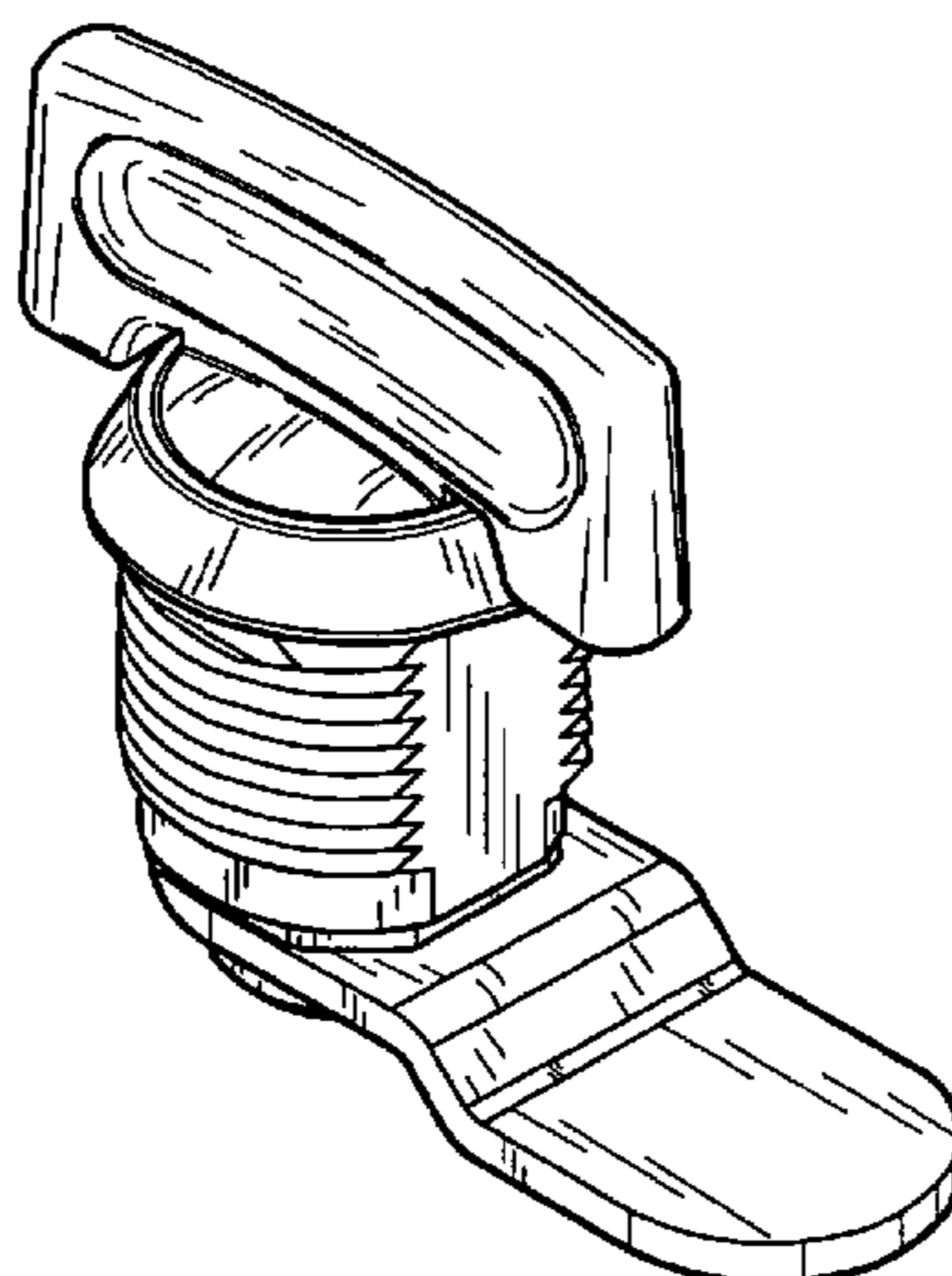
FIG. 15 is a right side elevational view of the camming latch of FIG. 13.

FIG. 16 is a front side elevational view of the camming latch of FIG. 13 the opposite side being a mirror image thereof.

FIG. 17 is a left side elevational view of the camming latch of FIG. 13; and,

FIG. 18 is a bottom plan view of the camming latch of FIG. 13.

1 Claim, 6 Drawing Sheets



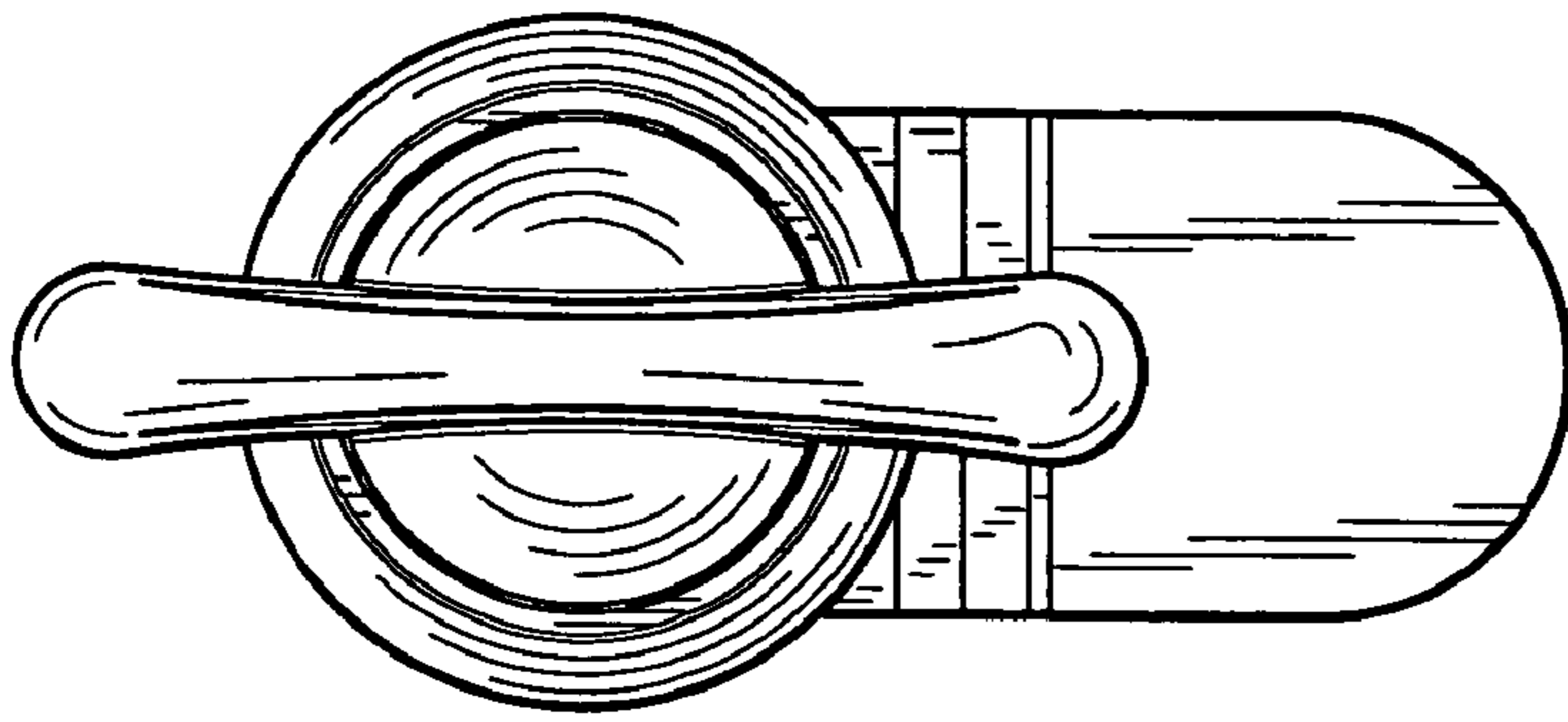


FIG. 1

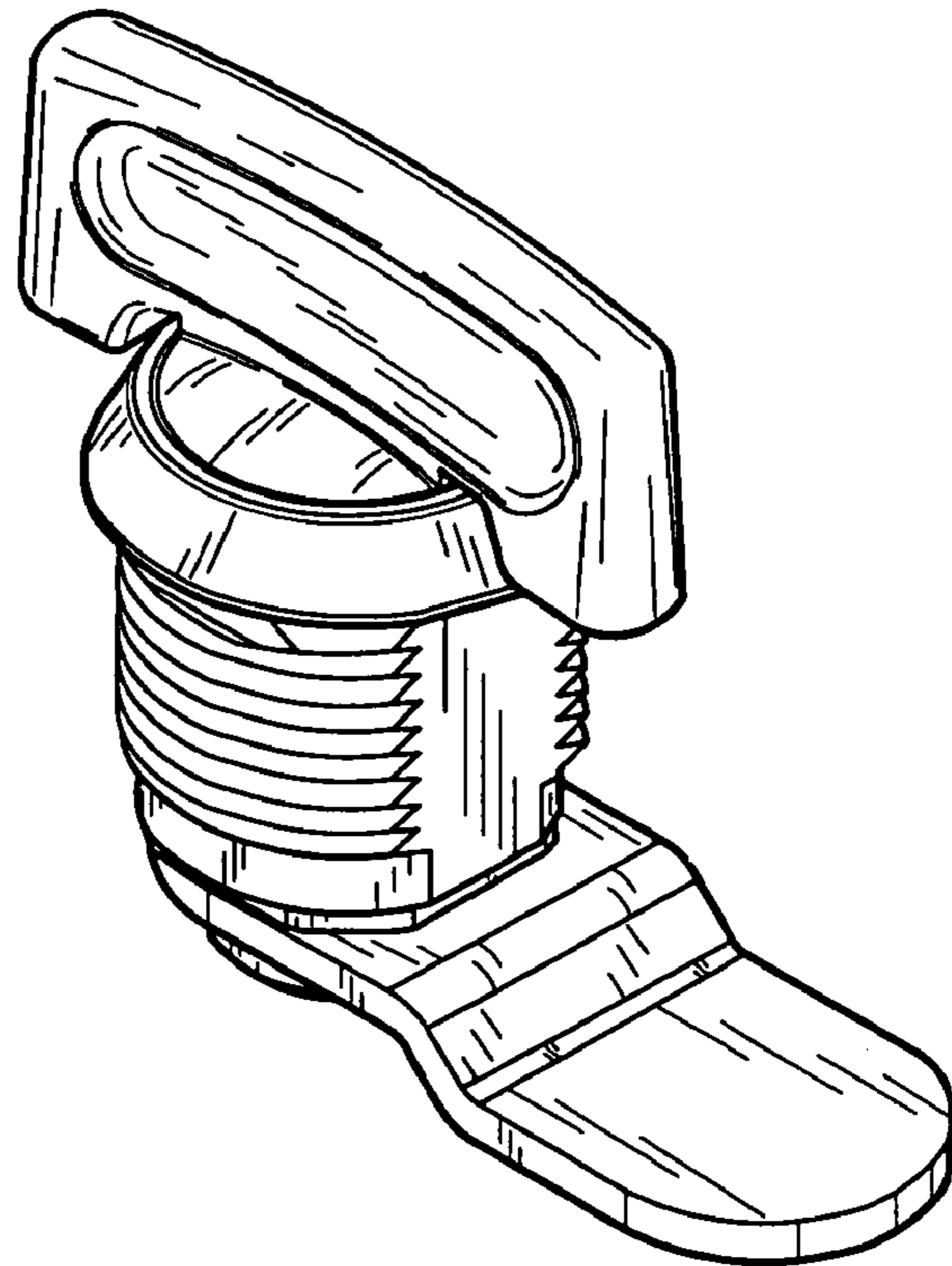


FIG. 2

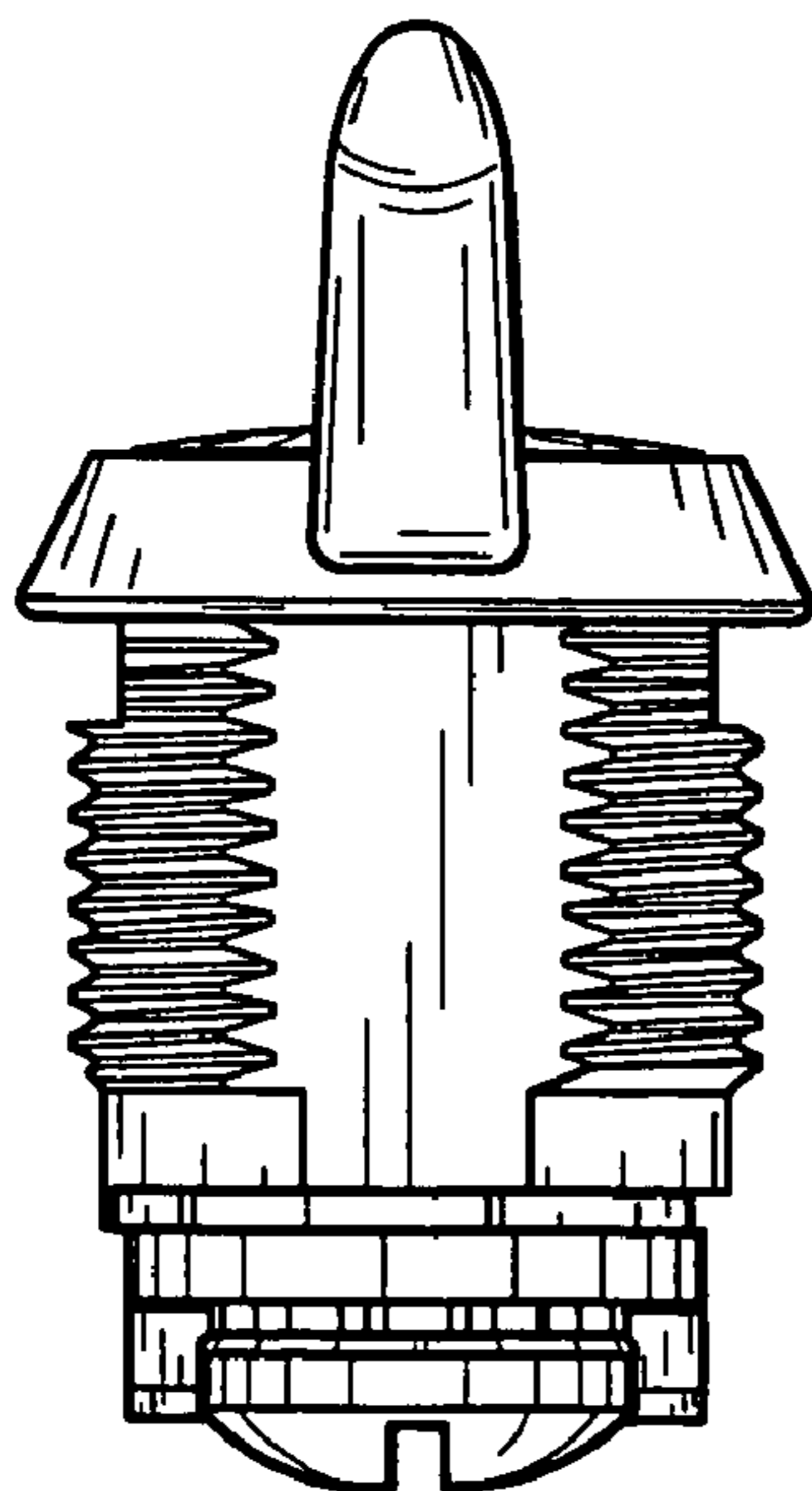


FIG. 3

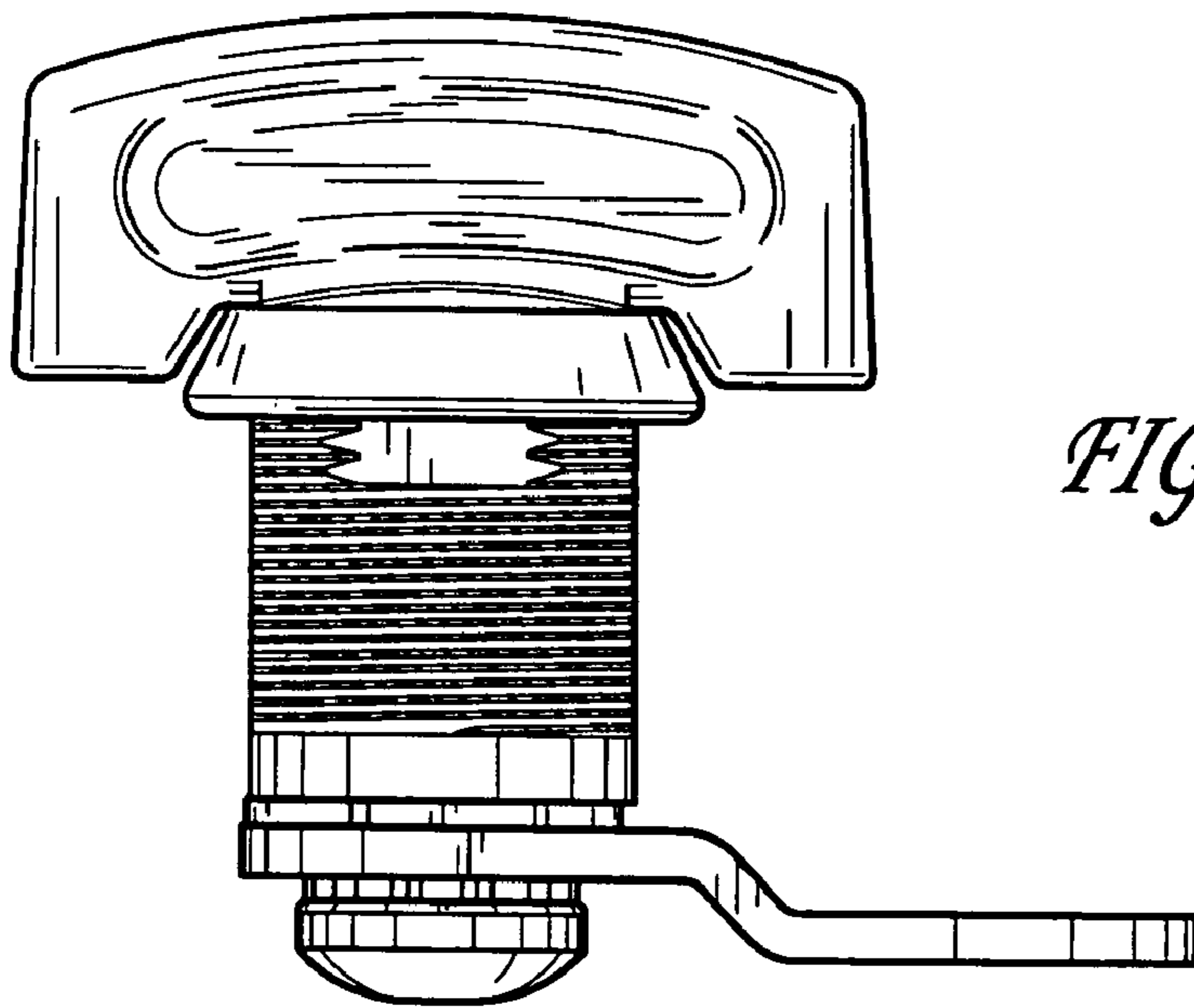


FIG. 4

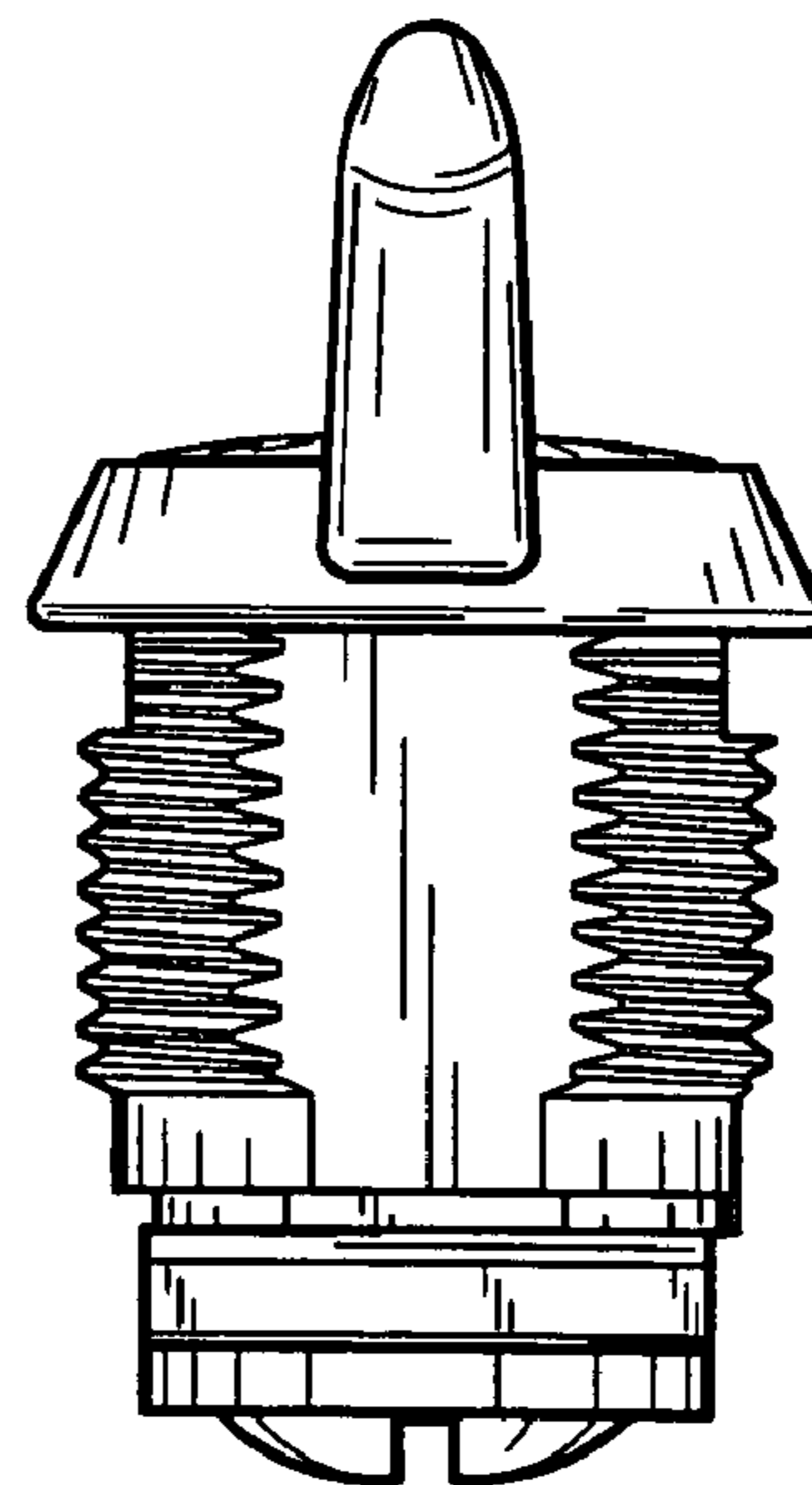


FIG. 5

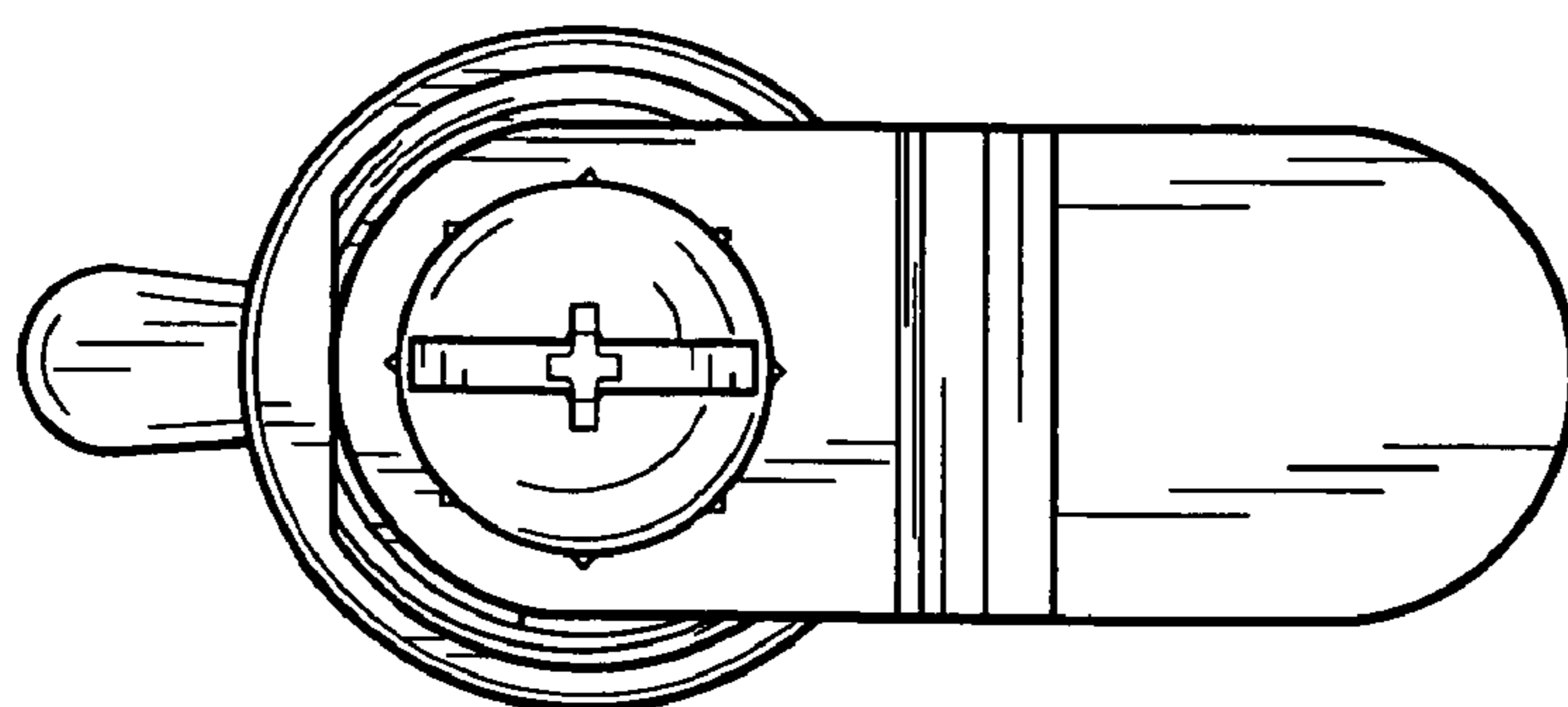


FIG. 6

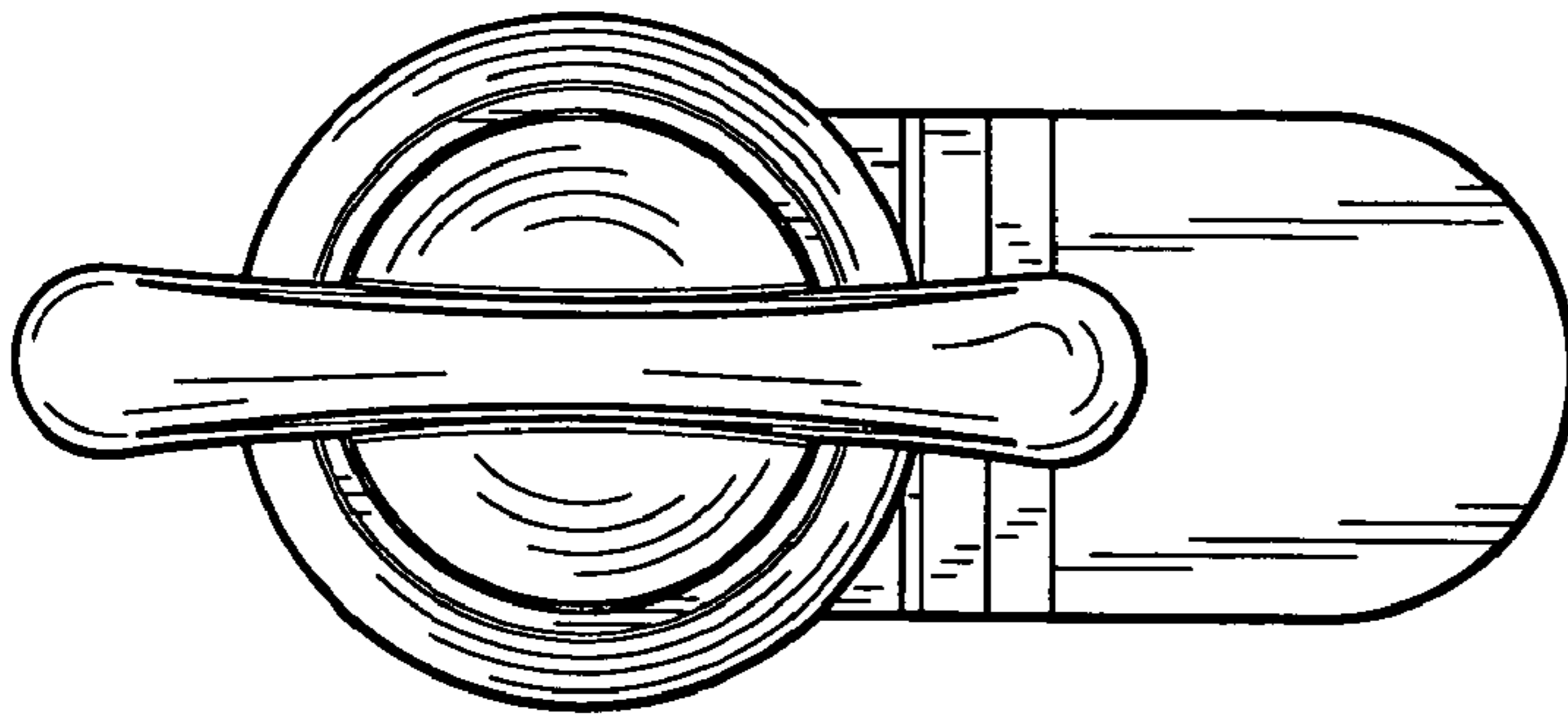


FIG. 7

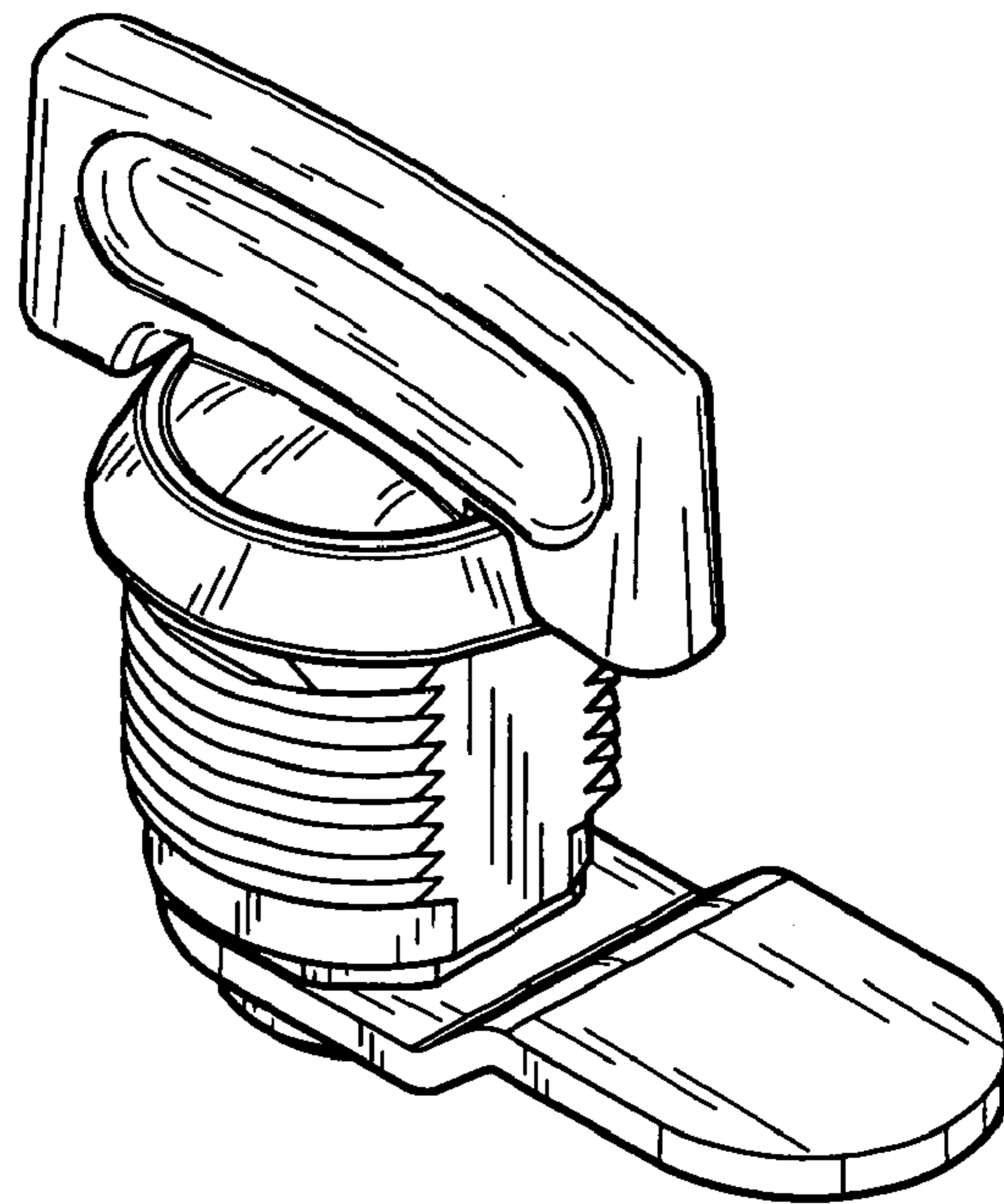


FIG. 8

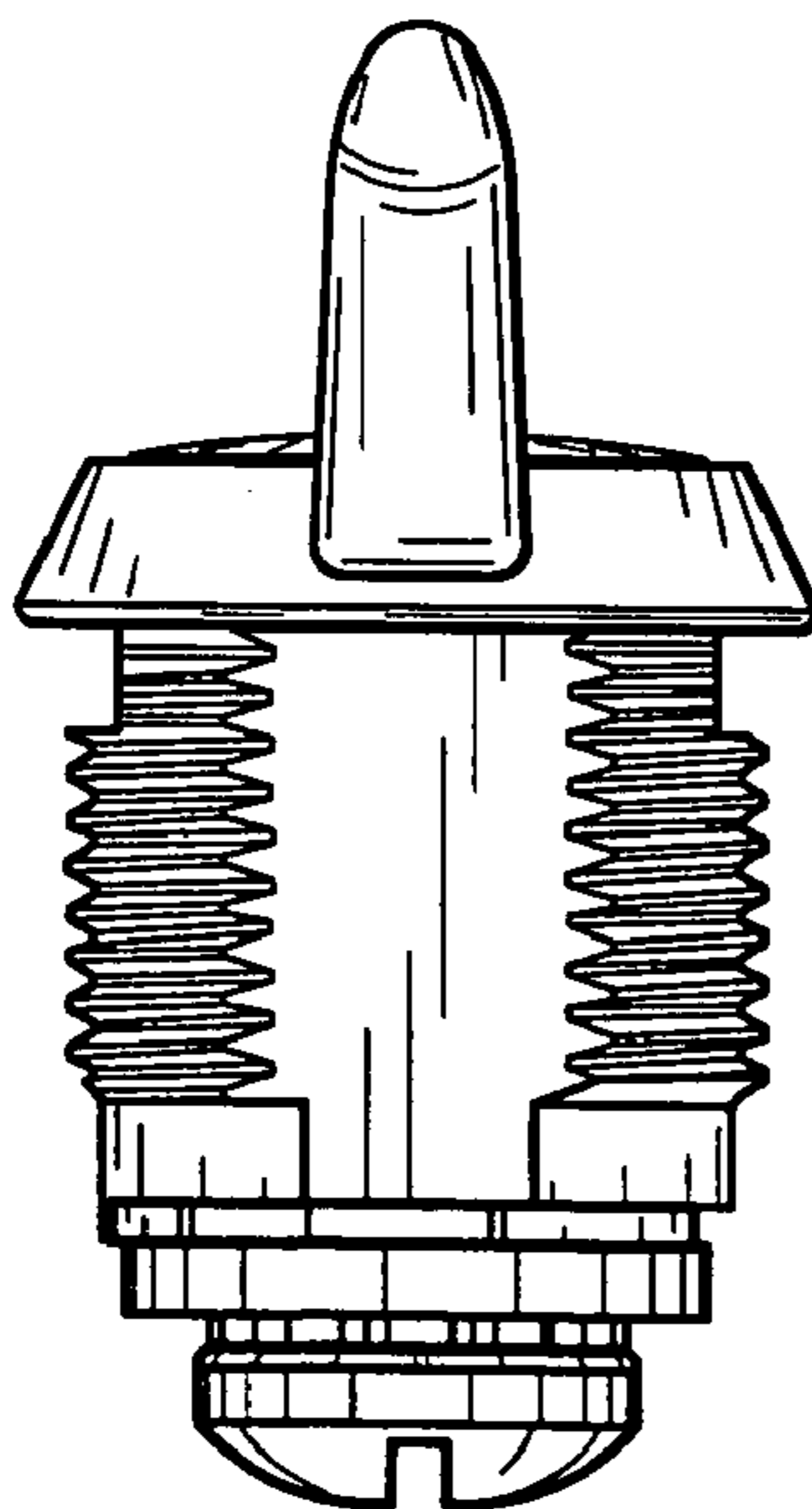


FIG. 9

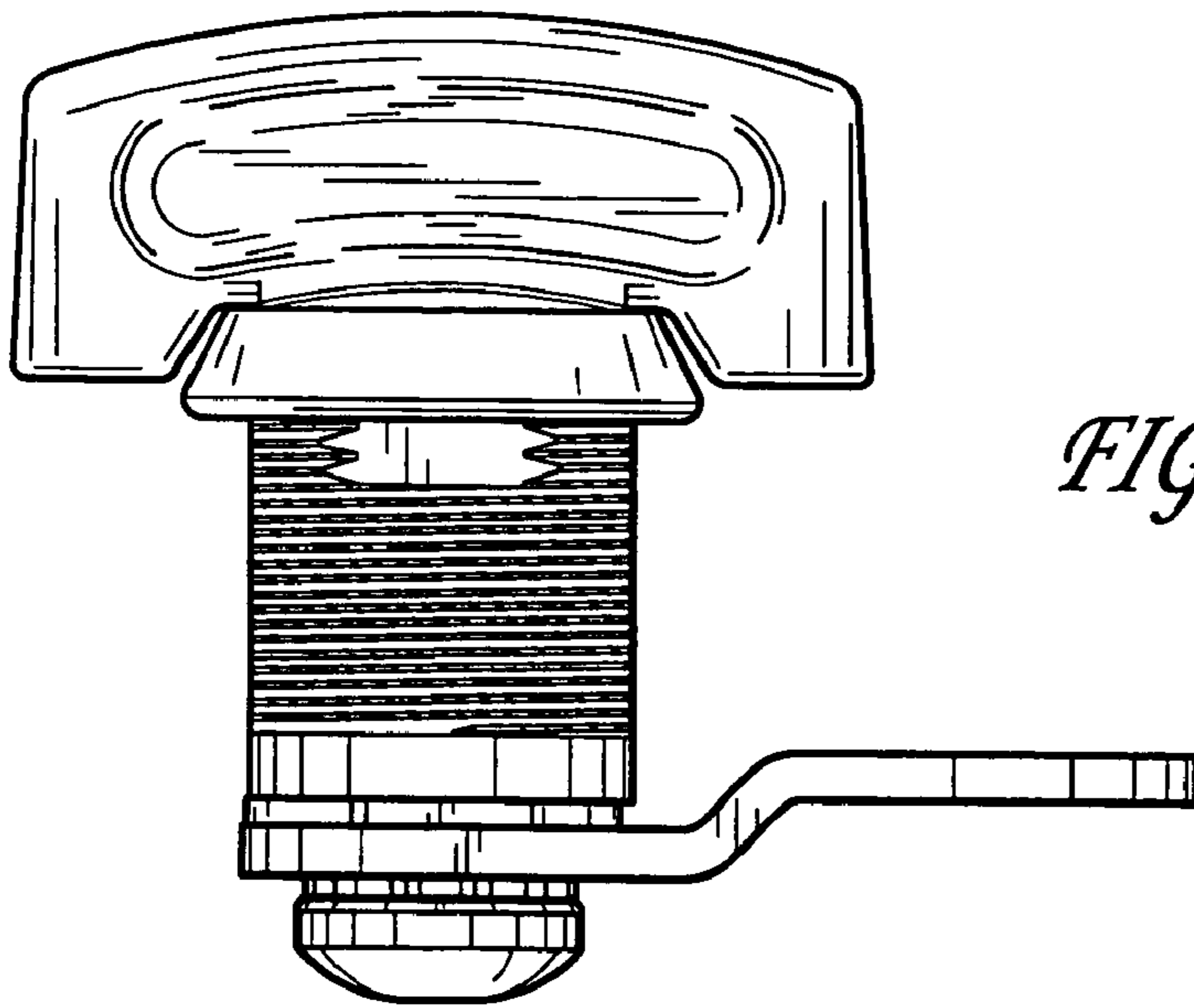


FIG. 10

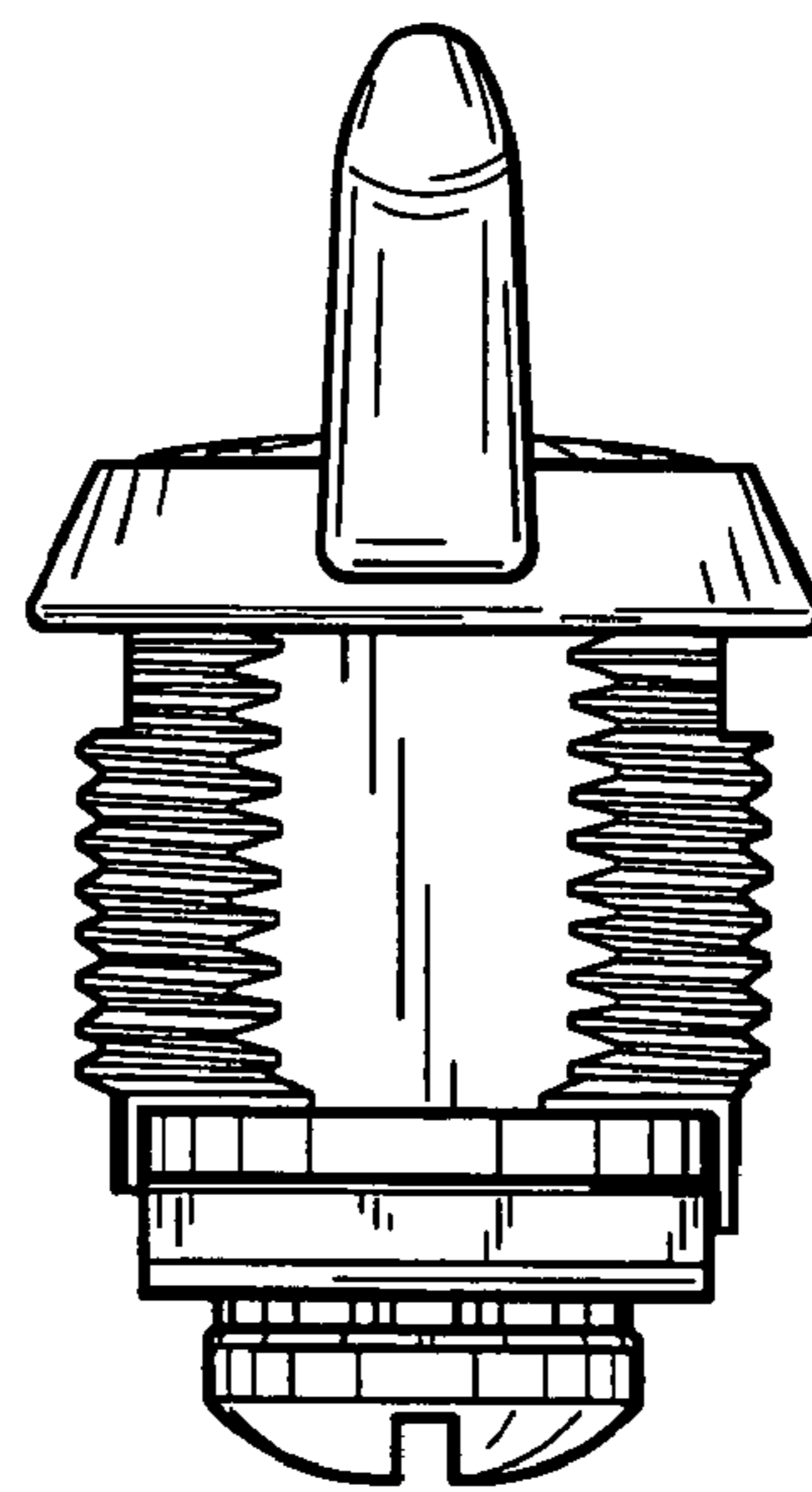


FIG. 11

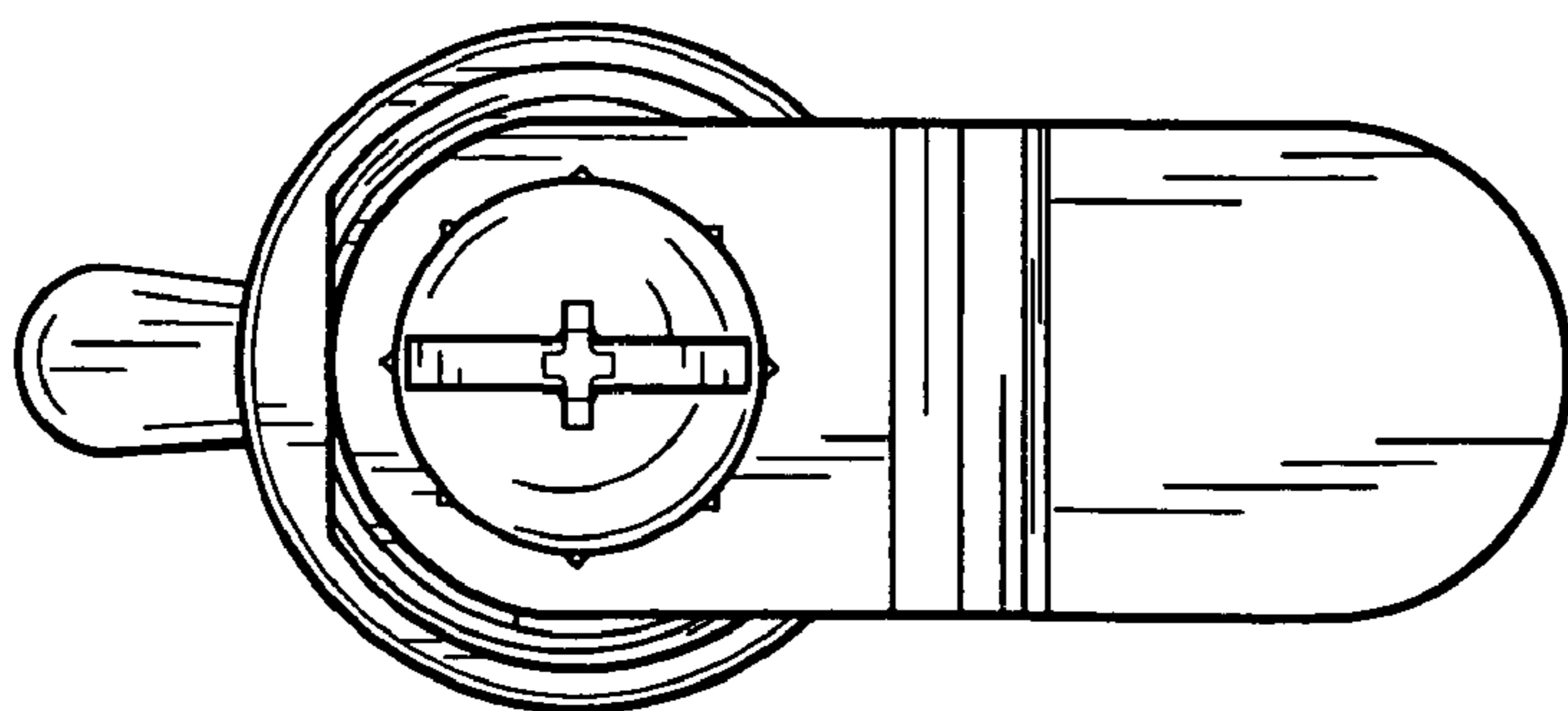


FIG. 12

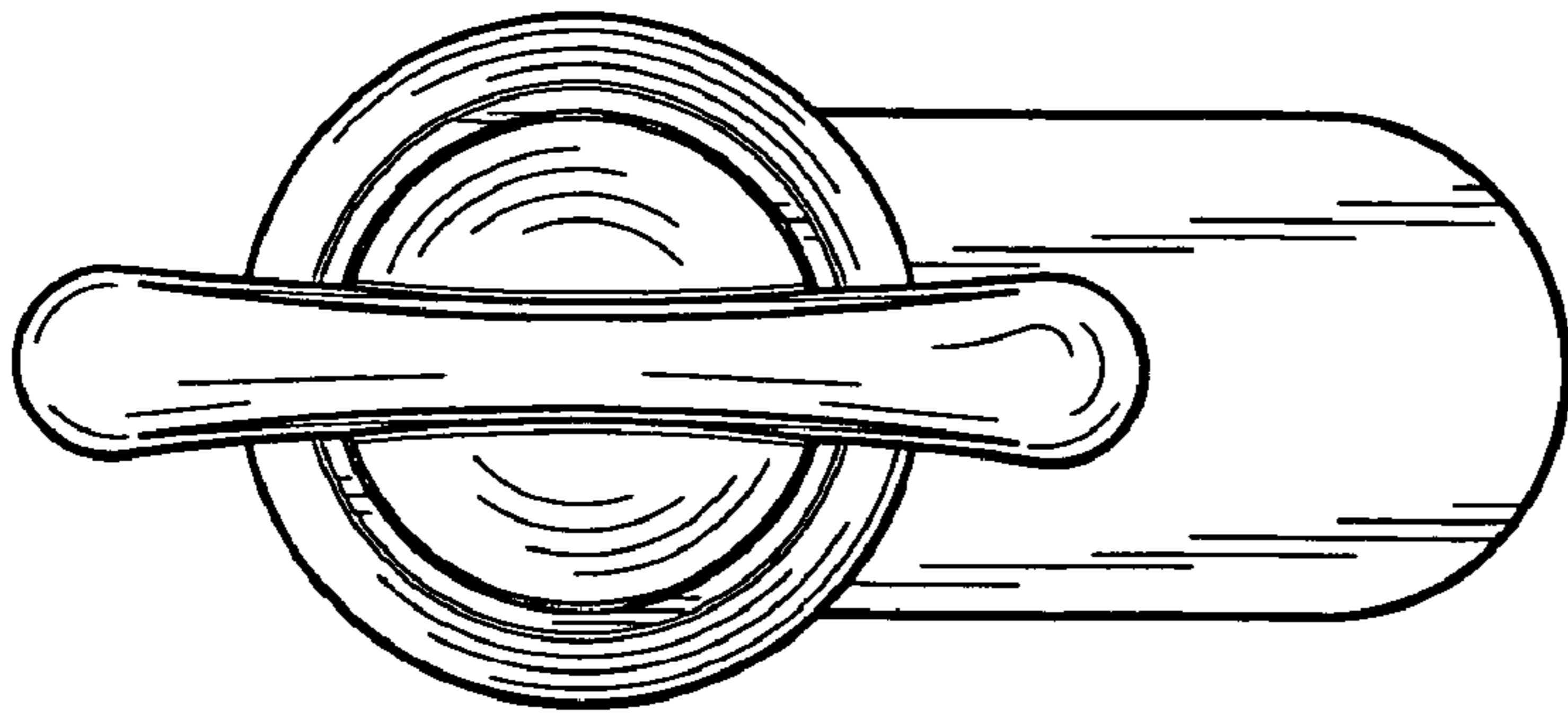


FIG. 13

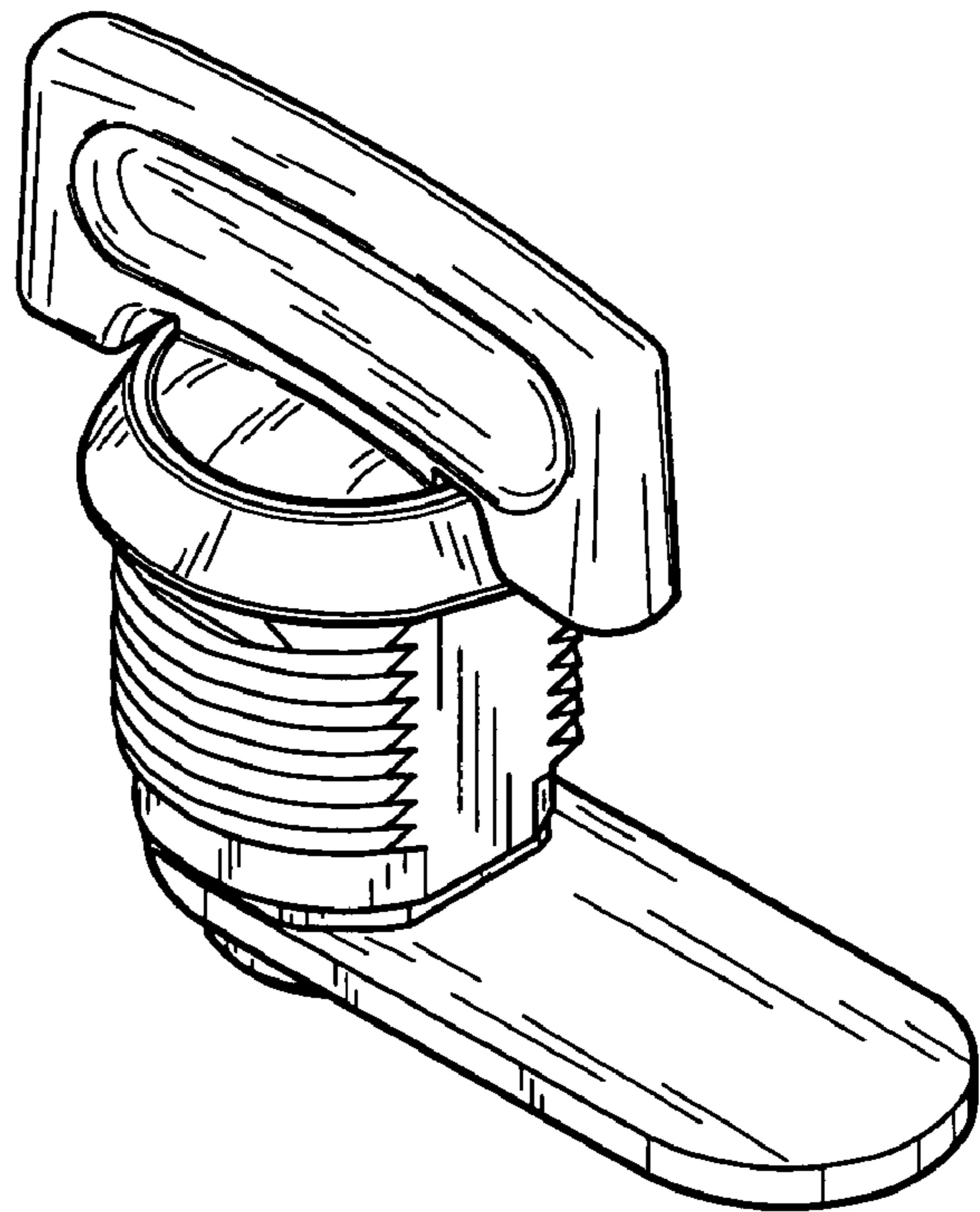


FIG. 14

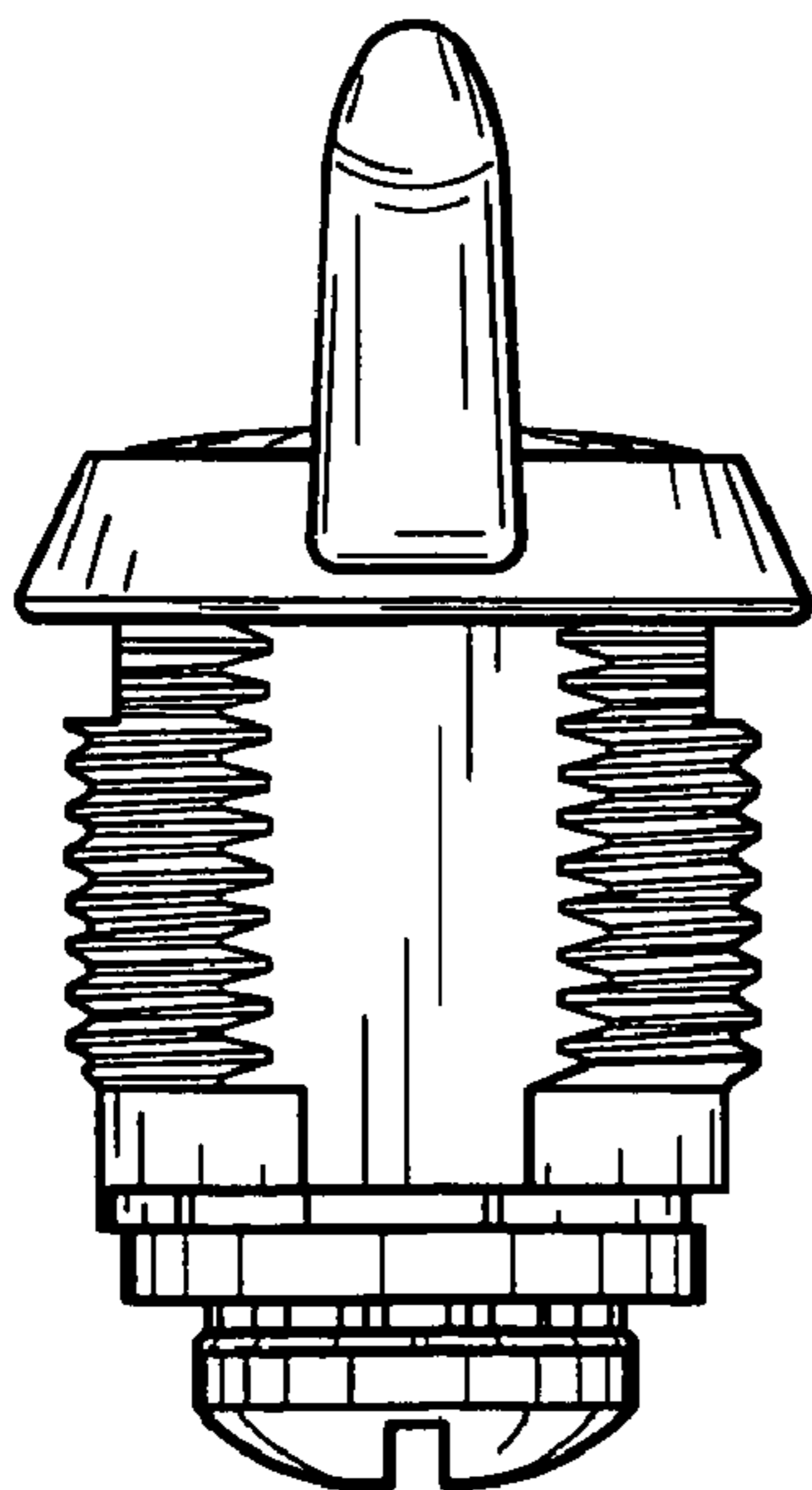


FIG. 15

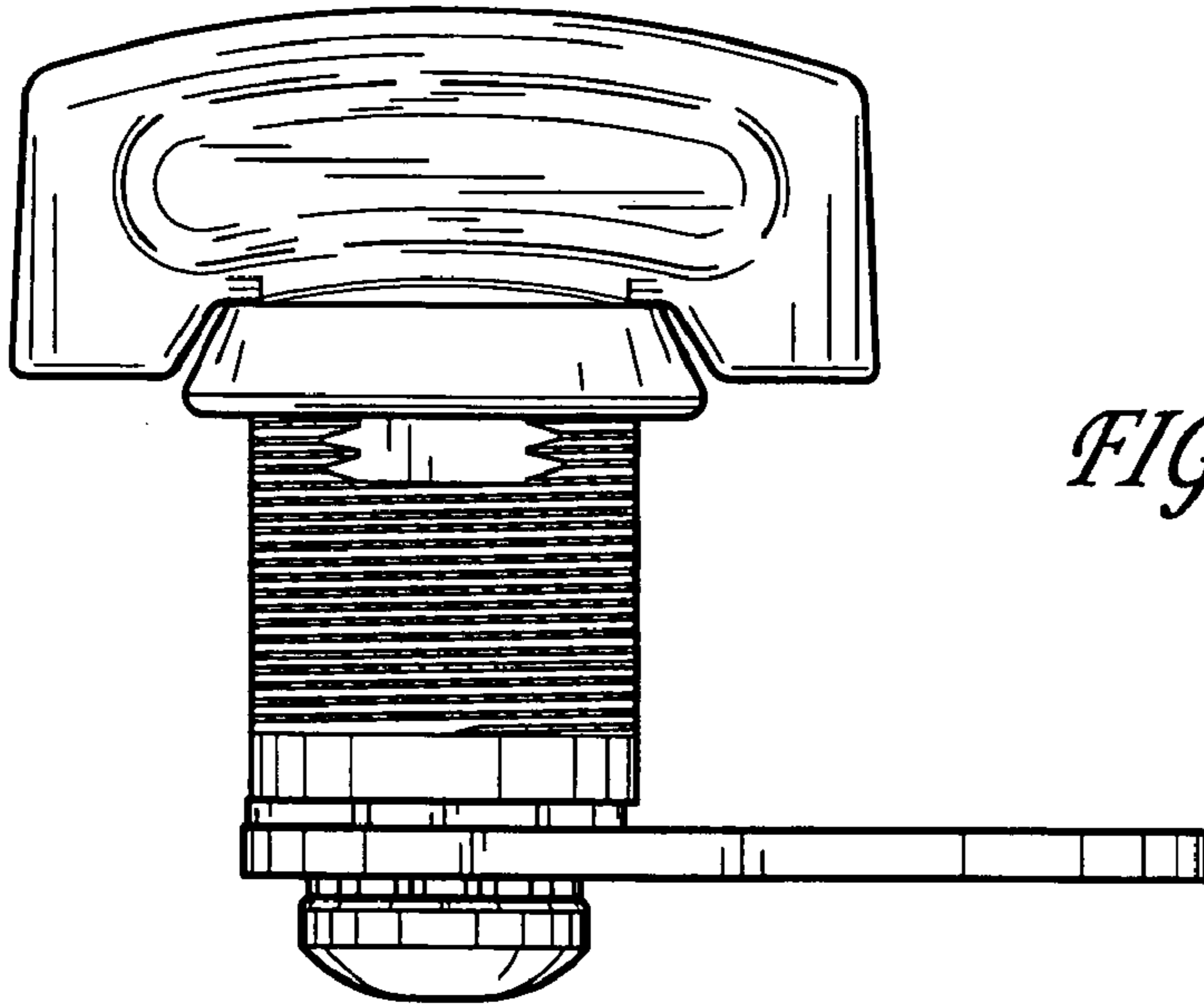


FIG. 16

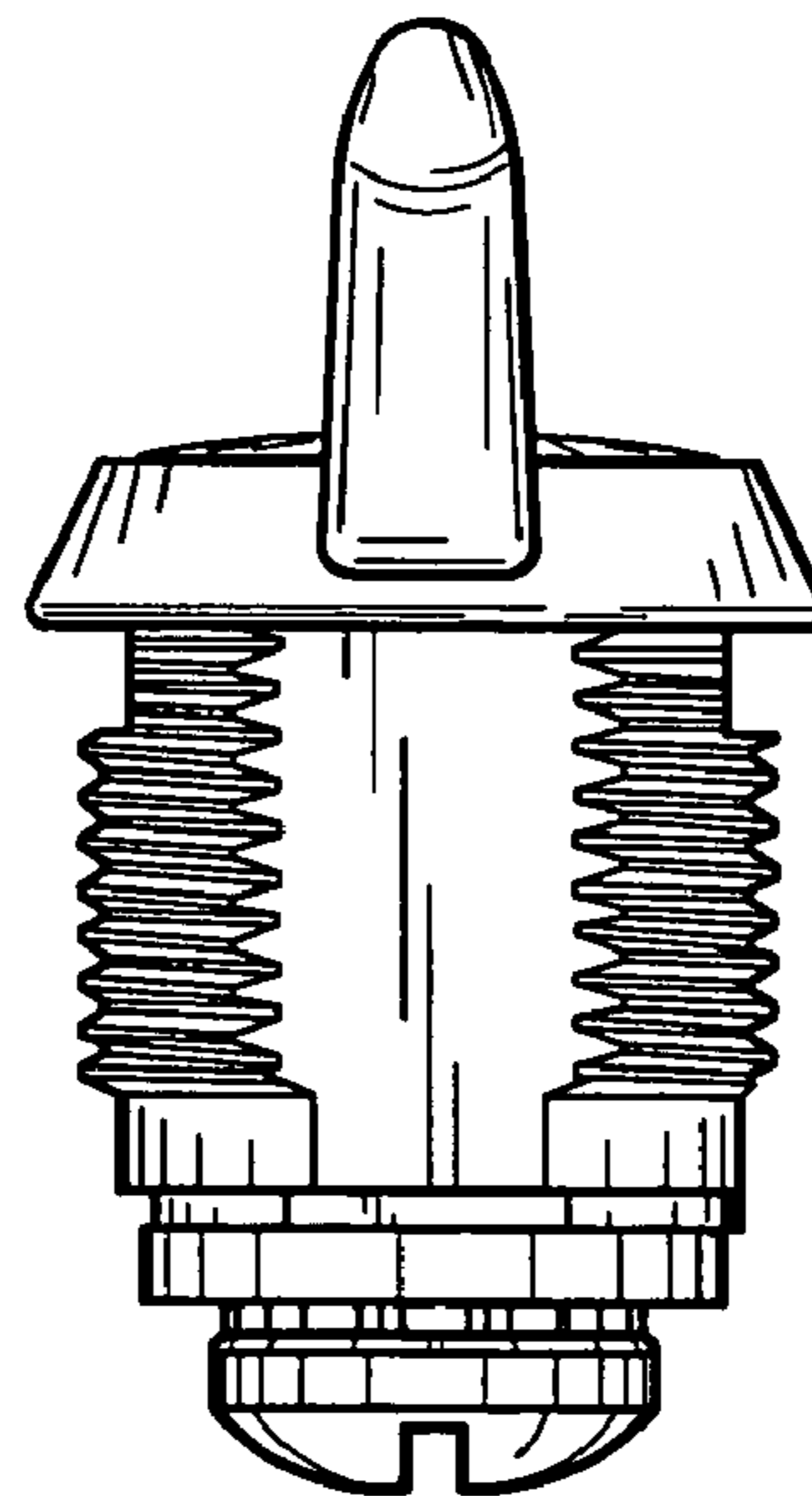


FIG. 17

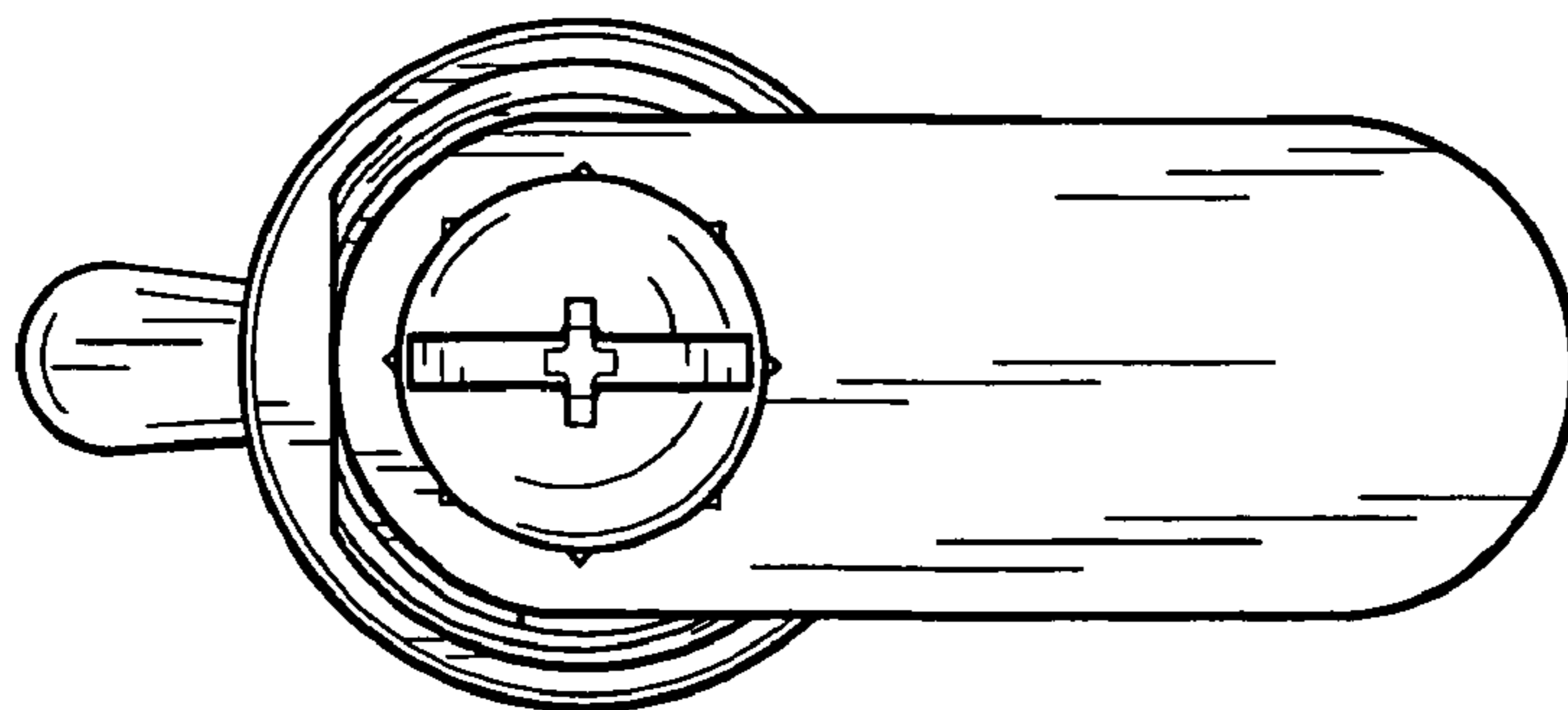


FIG. 18