



US00D579316S

(12) **United States Design Patent**
Lee

(10) **Patent No.:** **US D579,316 S**
(45) **Date of Patent:** **** Oct. 28, 2008**

(54) **SASH LOCK**

(75) Inventor: **Chia Ying Lee**, Chicago, IL (US)

(73) Assignee: **Liberty Hardware Mfg. Corp.**,
Winston-Salem, NC (US)

(**) Term: **14 Years**

(21) Appl. No.: **29/303,784**

(22) Filed: **Feb. 18, 2008**

(51) **LOC (8) Cl.** **08-07**

(52) **U.S. Cl.** **D8/331; D8/337**

(58) **Field of Classification Search** D8/330,
D8/331, 343, 308, 346, 336-339, 309; 70/89,
70/90, 287; 292/240-242, 341.12, 341.13,
292/101, 13, 82-85, DIG. 20, DIG. 40, DIG. 55,
292/DIG. 73

See application file for complete search history.

(56) **References Cited**

U.S. PATENT DOCUMENTS

6,983,063 B1 * 1/2006 Novak et al. 382/131
D536,950 S * 2/2007 Liang et al. D8/331
D546,166 S * 7/2007 Liang D8/344
D560,112 S * 1/2008 Baczuk et al. D8/337

D562,109 S * 2/2008 Liang D8/337
D569,222 S * 5/2008 Lee D8/337
D569,223 S * 5/2008 Zhang D8/337
2003/0155777 A1 * 8/2003 Eslick et al. 292/108
2006/0087130 A1 * 4/2006 Liang 292/242
2007/0085350 A1 * 4/2007 Liang et al. 292/240
2007/0200363 A1 * 8/2007 Eenigenburg et al. 292/240

* cited by examiner

Primary Examiner—Prabhakar Deshmukh

(74) *Attorney, Agent, or Firm*—Edgar A. Zarins; Lloyd D. Doigan

(57) **CLAIM**

The ornamental design for a sash lock, as shown and described.

DESCRIPTION

FIG. 1 is a perspective view of a sash lock showing my new design;

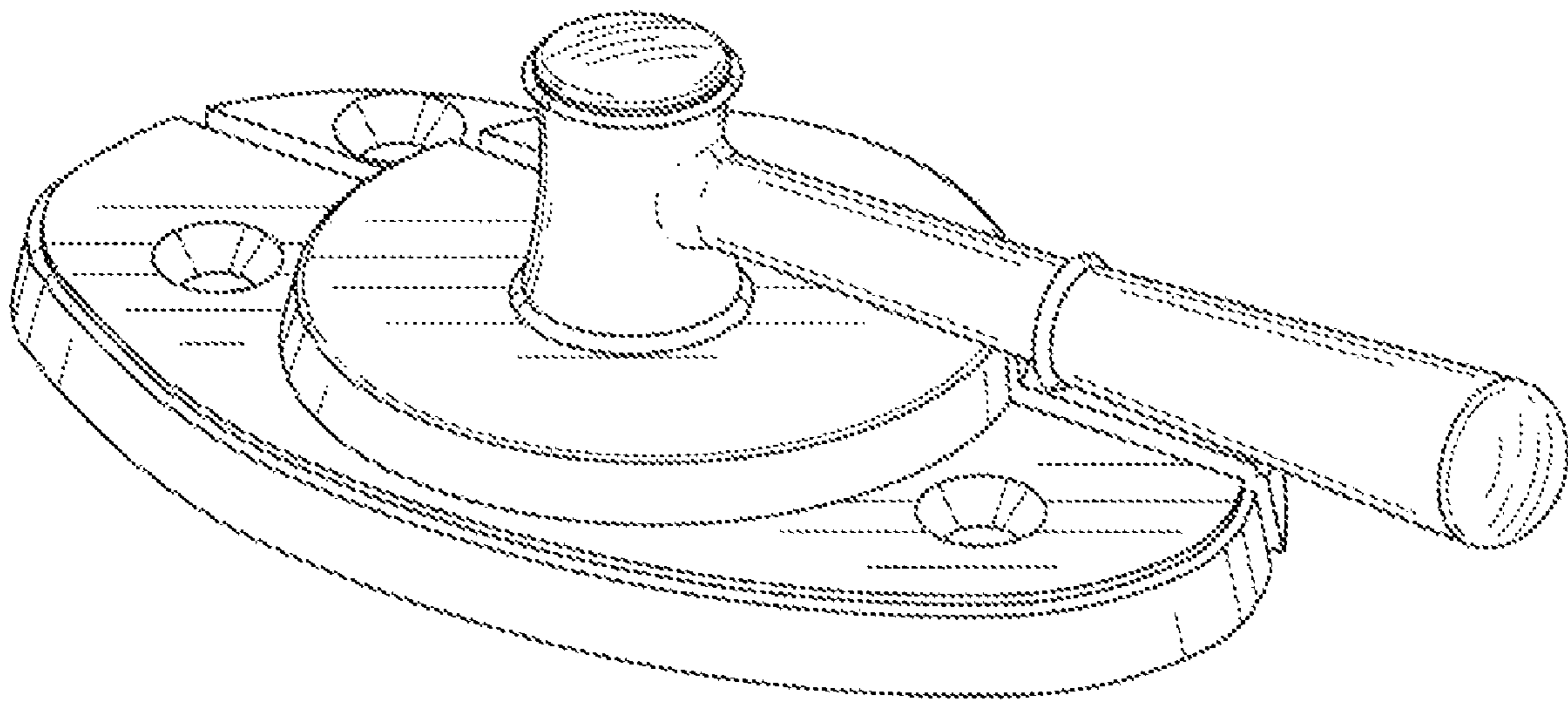
FIG. 2 is a top plan view thereof;

FIG. 3 is a front elevational view thereof;

FIG. 4 is a right side view thereof; and,

FIG. 5 is a left side view thereof.

1 Claim, 2 Drawing Sheets



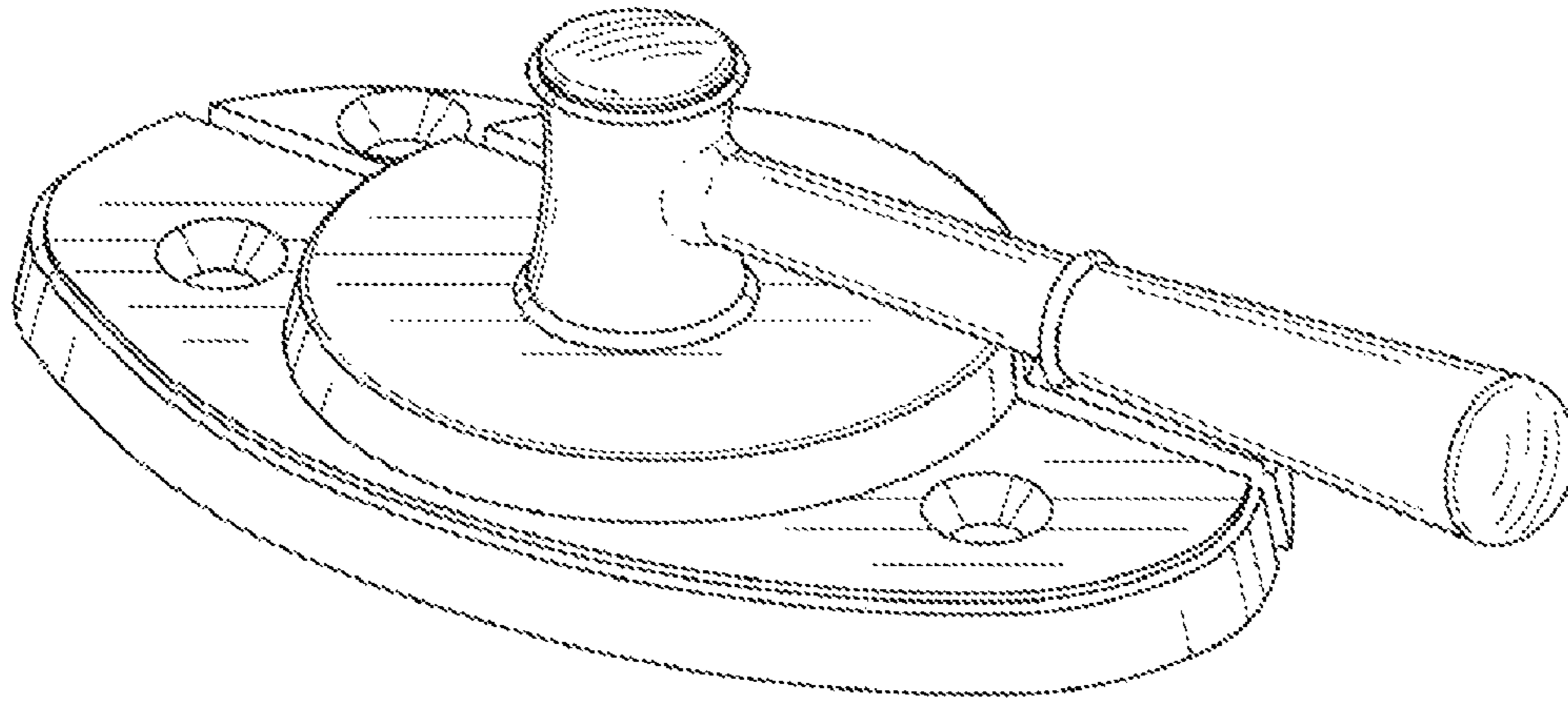


Fig-1

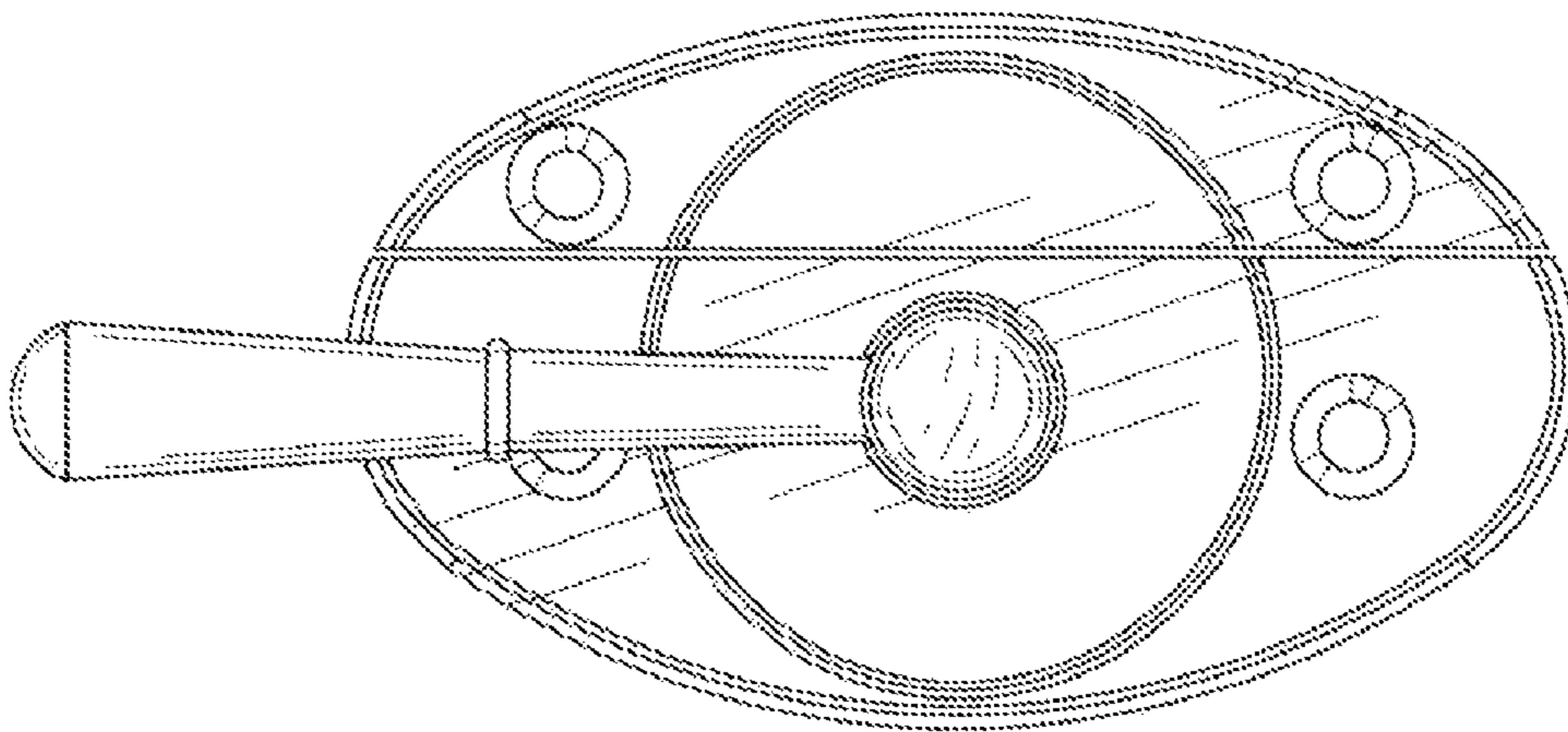


Fig-2

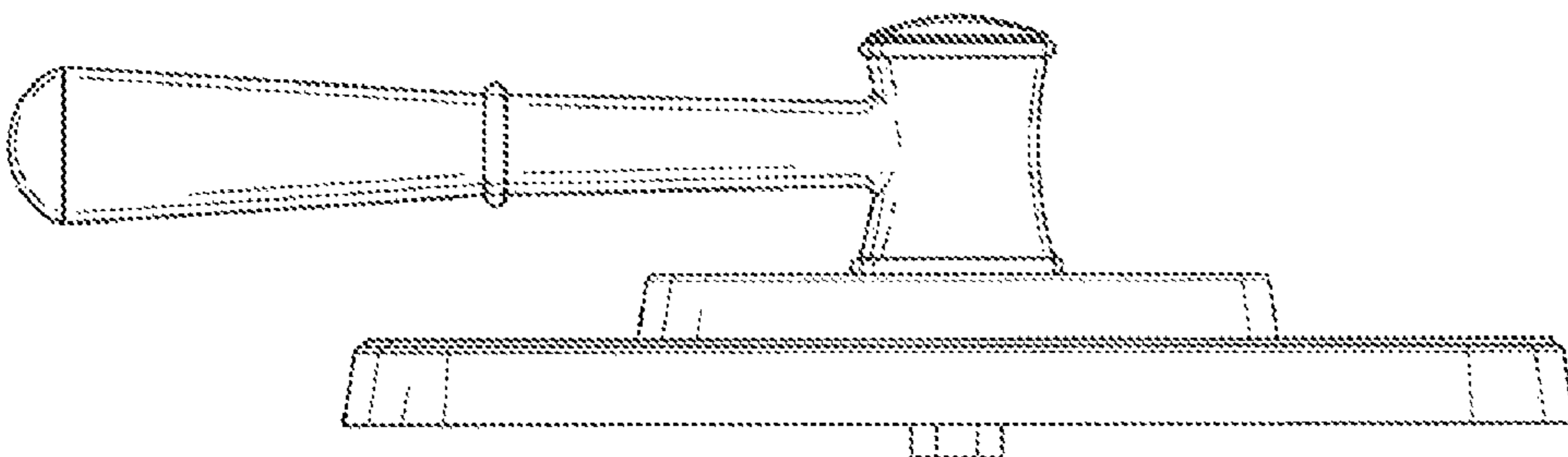


Fig-3

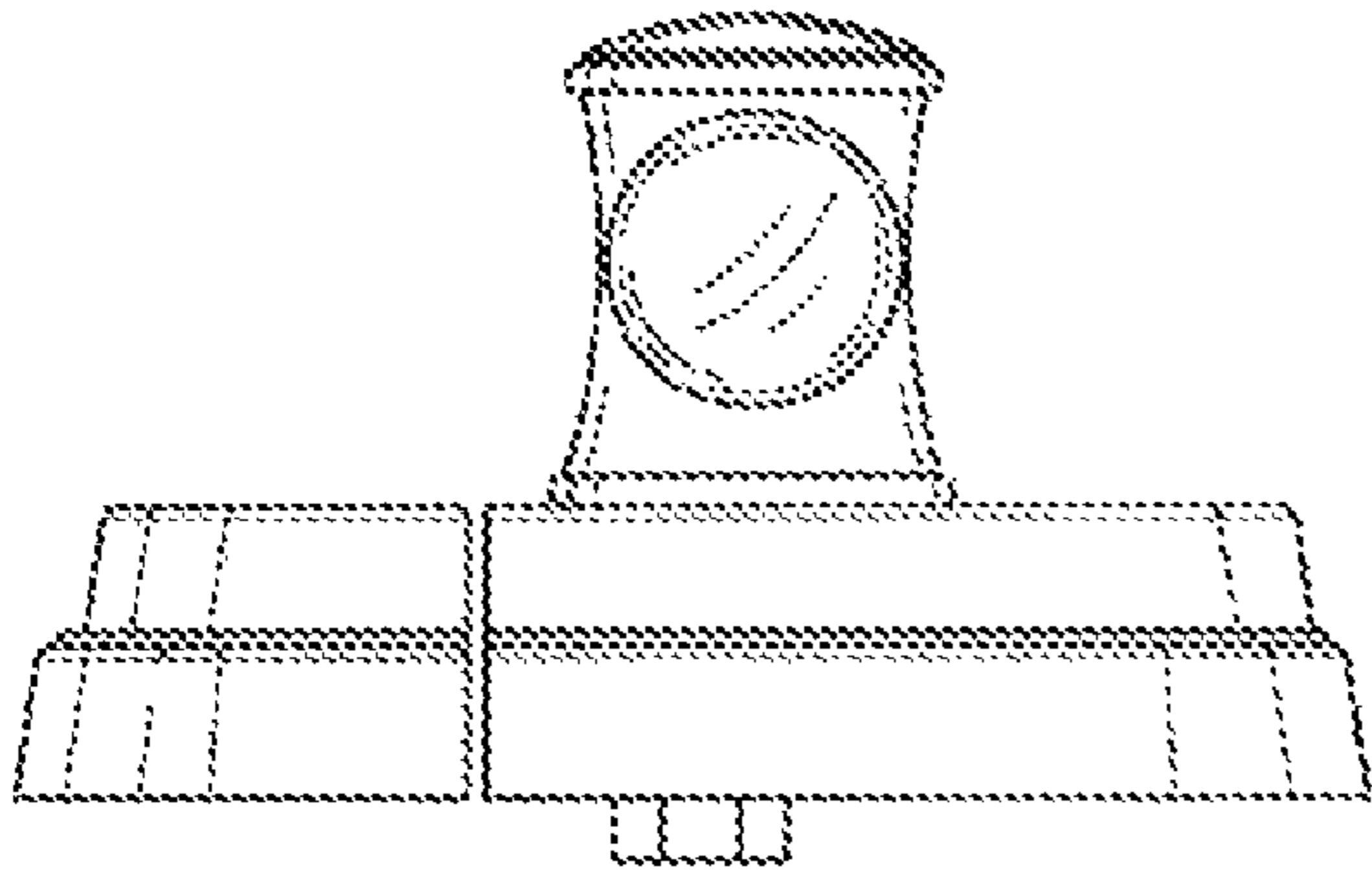


Fig-4

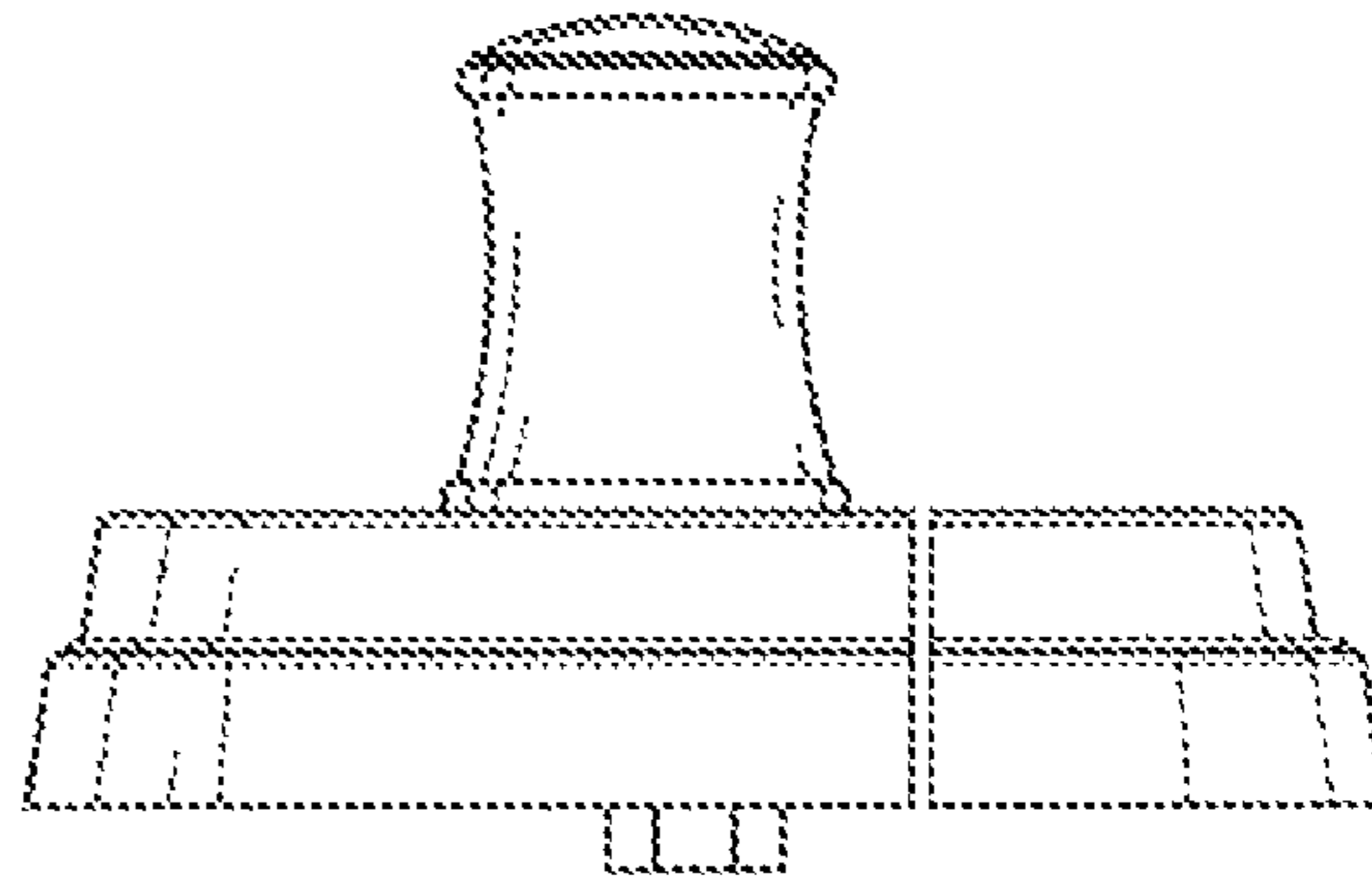


Fig-5