



US00D579303S

(12) **United States Design Patent**
Schneider

(10) **Patent No.:** **US D579,303 S**
(45) **Date of Patent:** **** Oct. 28, 2008**

(54) **DOOR KNOB**

(75) Inventor: **Elliott Schneider**, Irvine, CA (US)

(73) Assignee: **Newfrey LLC**, Newark, DE (US)

(**) Term: **14 Years**

(21) Appl. No.: **29/292,505**

(22) Filed: **Oct. 12, 2007**

(51) **LOC (8) Cl.** **08-06**

(52) **U.S. Cl.** **D8/307**

(58) **Field of Classification Search** D8/307,
D8/310, DIG. 1, DIG. 2; 292/336.3, 347;
16/110.1, 441, 412, 414; D99/11; D23/250;
D21/373, 480, 365; 81/3.09; 4/615, 675
See application file for complete search history.

(56) **References Cited**

U.S. PATENT DOCUMENTS

2,797,950	A *	7/1957	Michael	292/347
D185,098	S *	5/1959	Prescott	D8/307
D217,431	S *	5/1970	Russell	D8/307
D290,493	S *	6/1987	Dragos	D23/250
D327,530	S *	6/1992	Rawald	D23/250
D401,834	S *	12/1998	Burns et al.	D8/310
D540,141	S *	4/2007	Berberet	D8/307
D541,619	S *	5/2007	Ricereto	D8/307
D542,622	S *	5/2007	Ricereto	D8/307

D549,544	S *	8/2007	Mattson et al.	D8/307
D564,332	S *	3/2008	McConnell	D8/310
D567,624	S *	4/2008	Ricereto	D8/307
D570,184	S *	6/2008	Ricereto	D8/307

* cited by examiner

Primary Examiner—Paula Greene

(74) *Attorney, Agent, or Firm*—Richard J. Veltman; John D. DelPonti

(57) **CLAIM**

The ornamental design for a door knob, as shown.

DESCRIPTION

FIG. 1 is a side perspective view of a door knob according to my new design.

FIG. 2 is a front view of the door knob as in FIG. 1.

FIG. 3 is a back view of the door knob as in FIGS. 1–2.

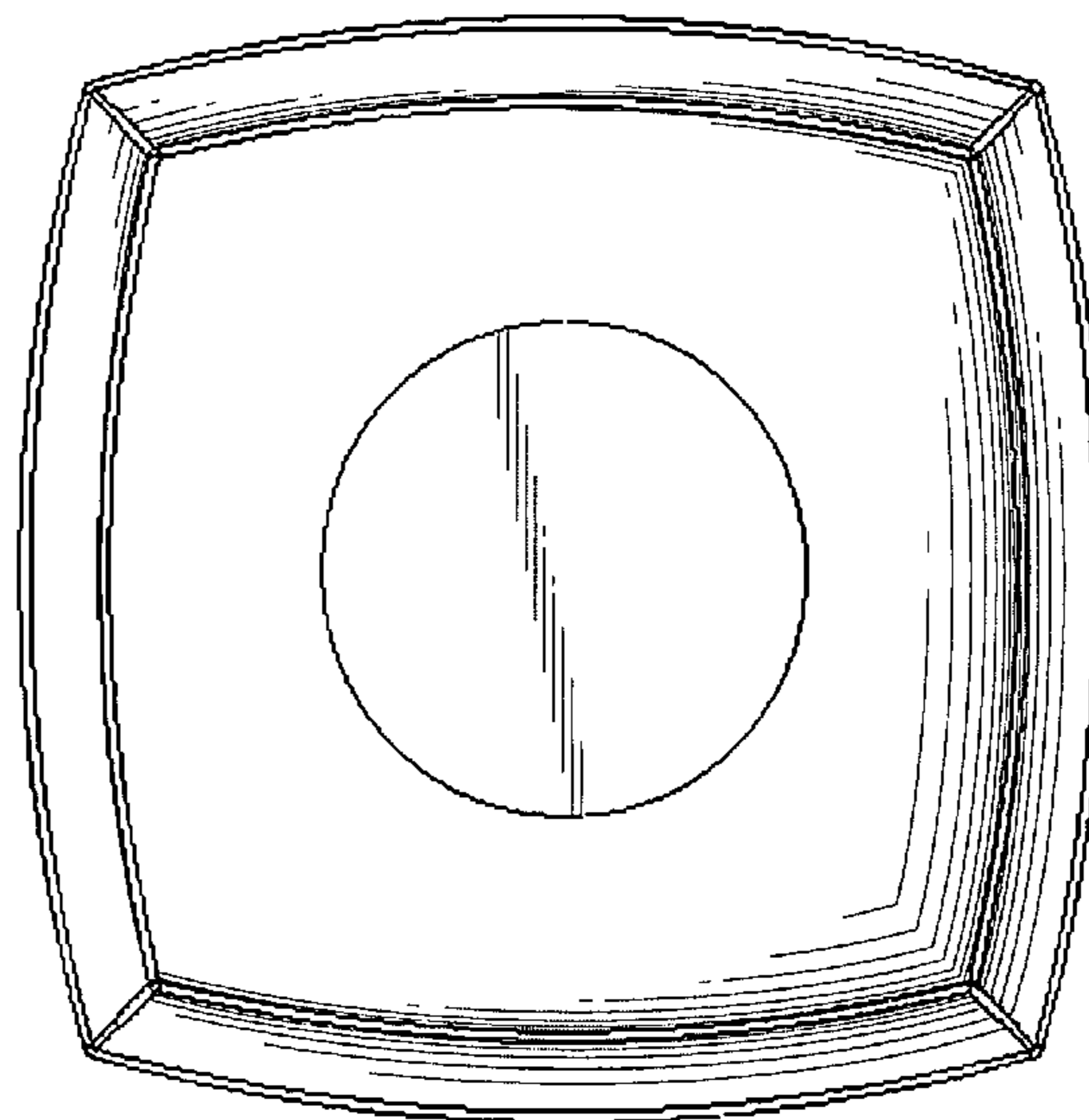
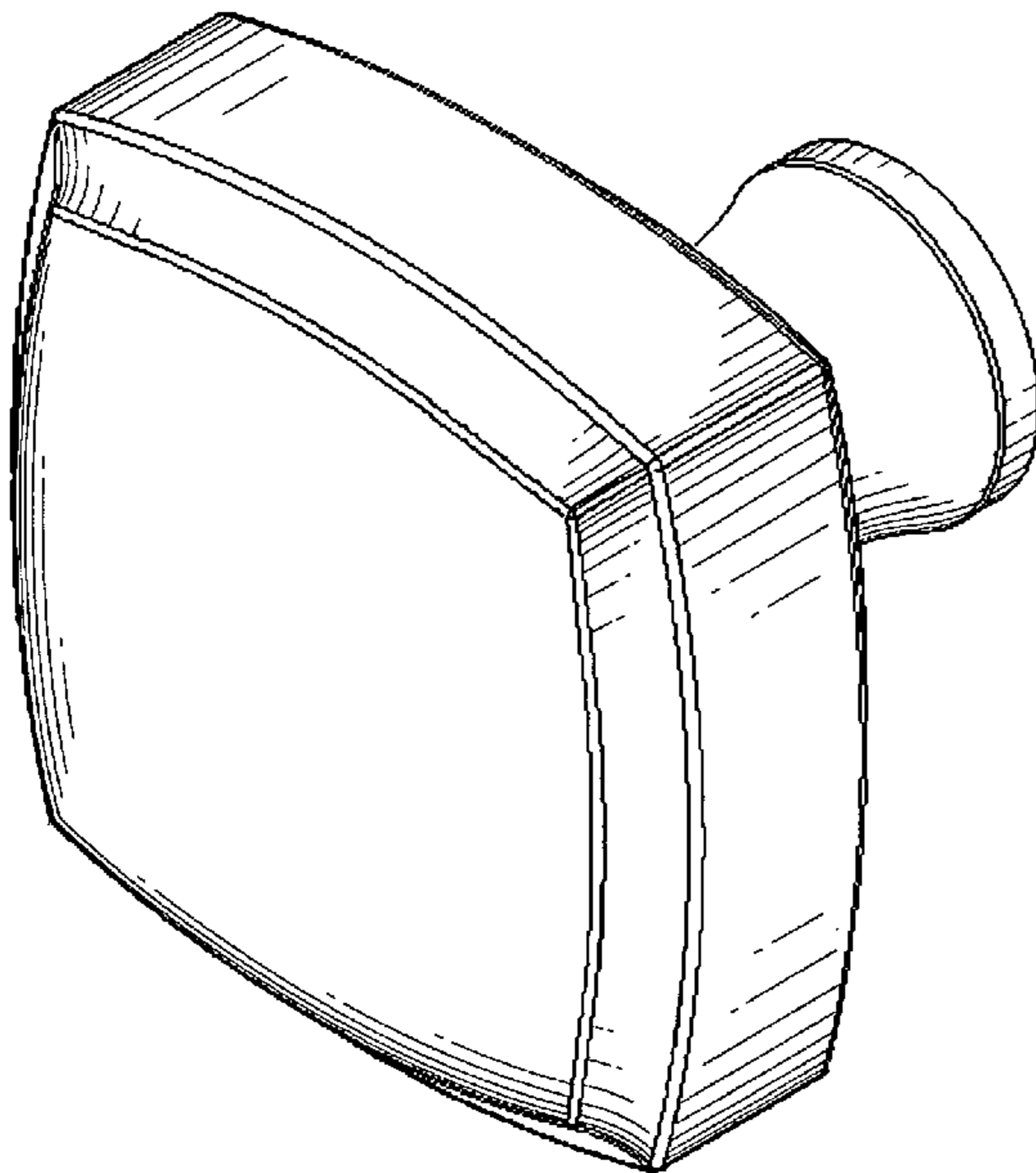
FIG. 4 is a top view of the door knob as in FIGS. 1–3.

FIG. 5 is a bottom view of the door knob as in FIGS. 1–4.

FIG. 6 is an end view of the door knob as in FIGS. 1–5; and, FIG. 7 is an opposite end view of the door knob as in FIGS. 1–6.

The design of the present invention and as shown in FIGS. 1–7 is an ornamental door knob.

1 Claim, 4 Drawing Sheets



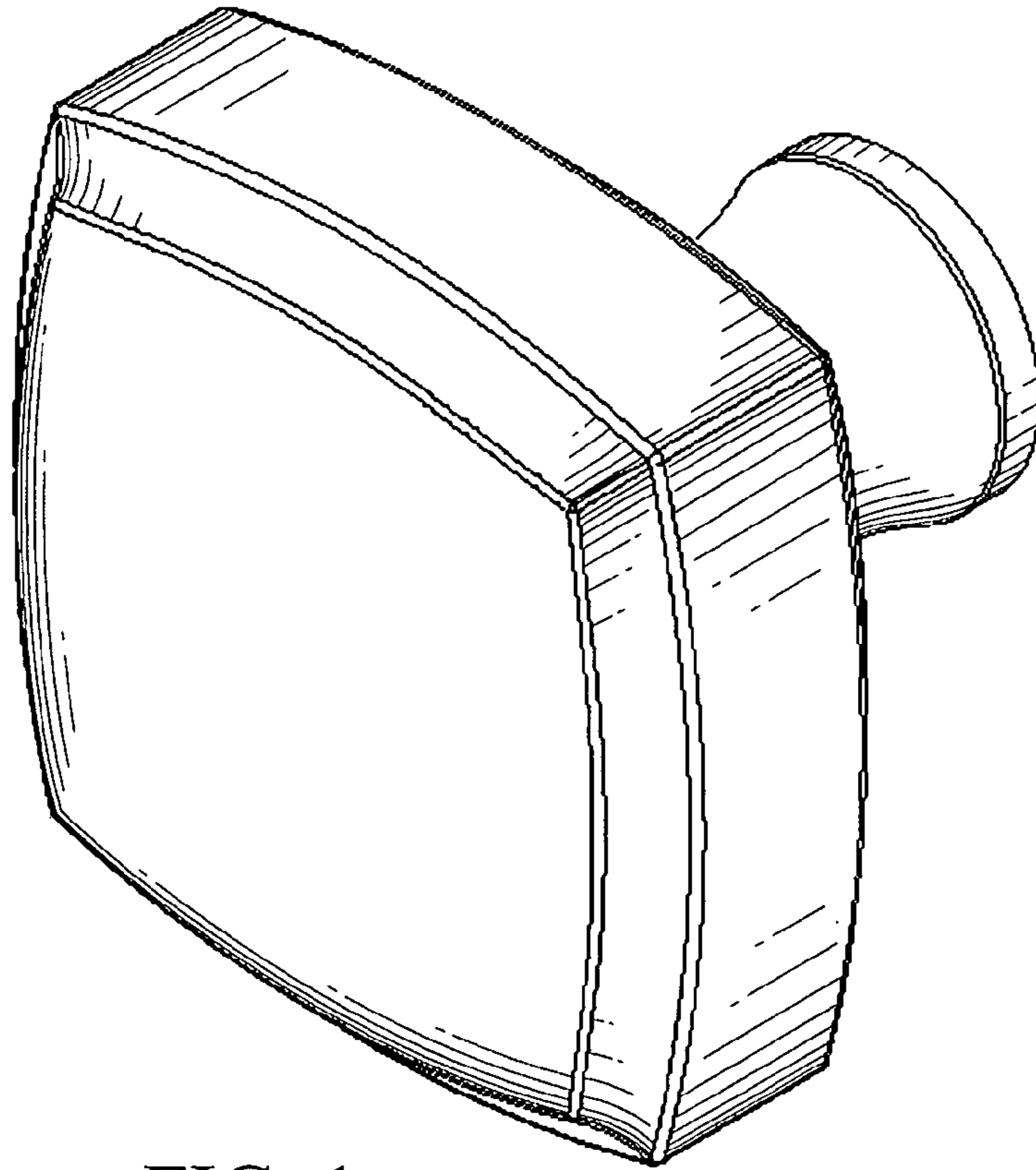


FIG. 1

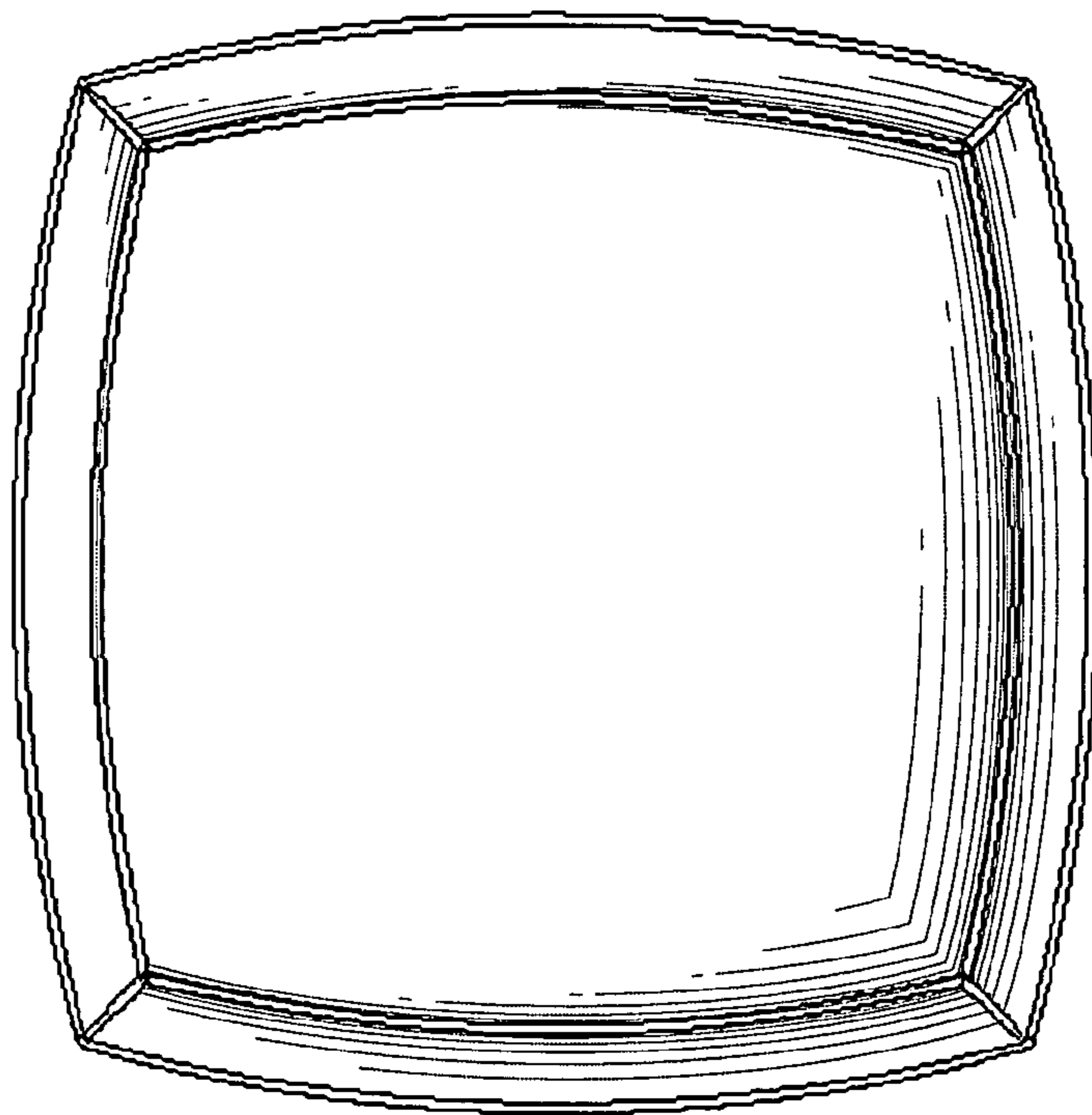


FIG. 2

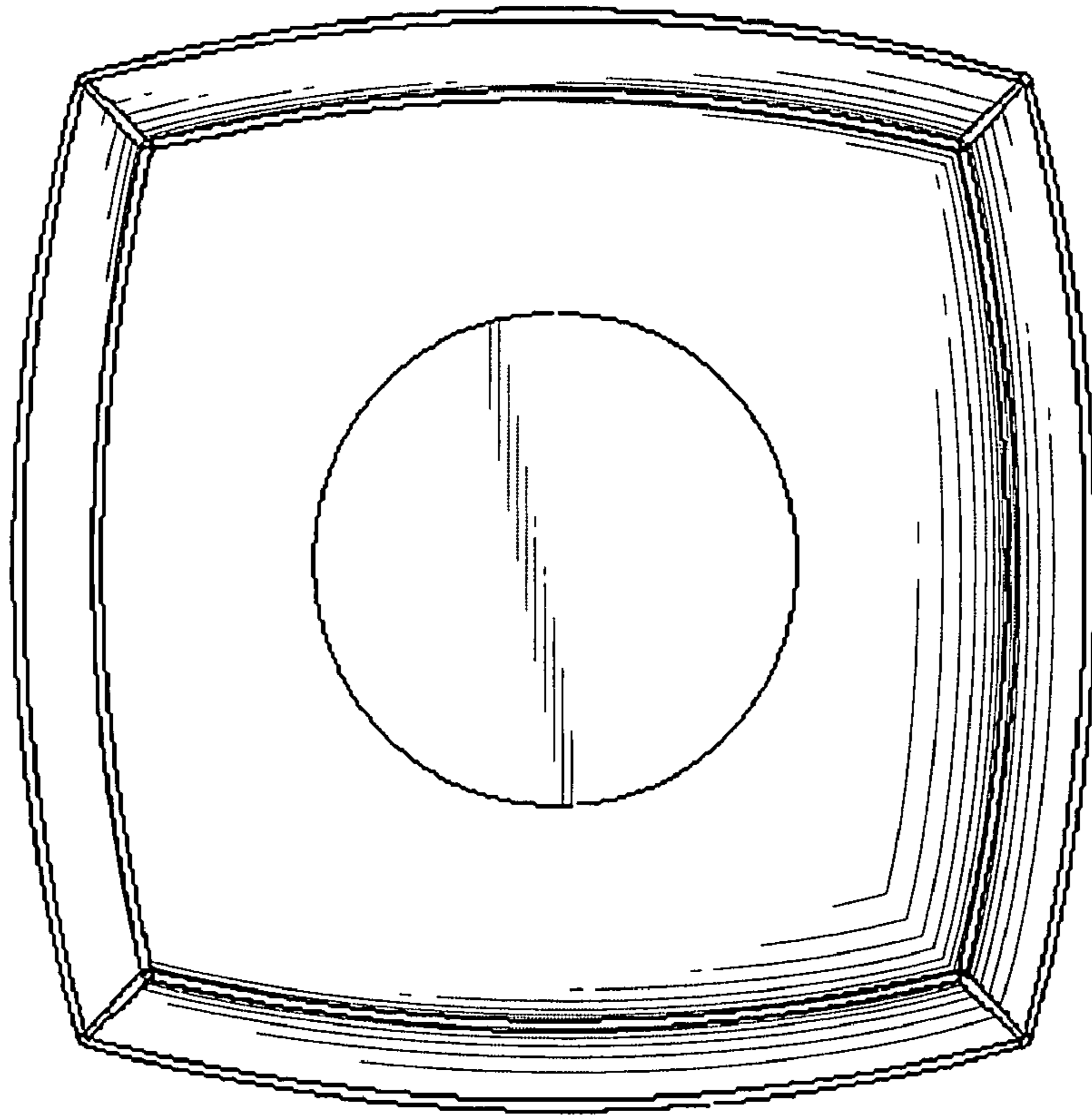


FIG. 3

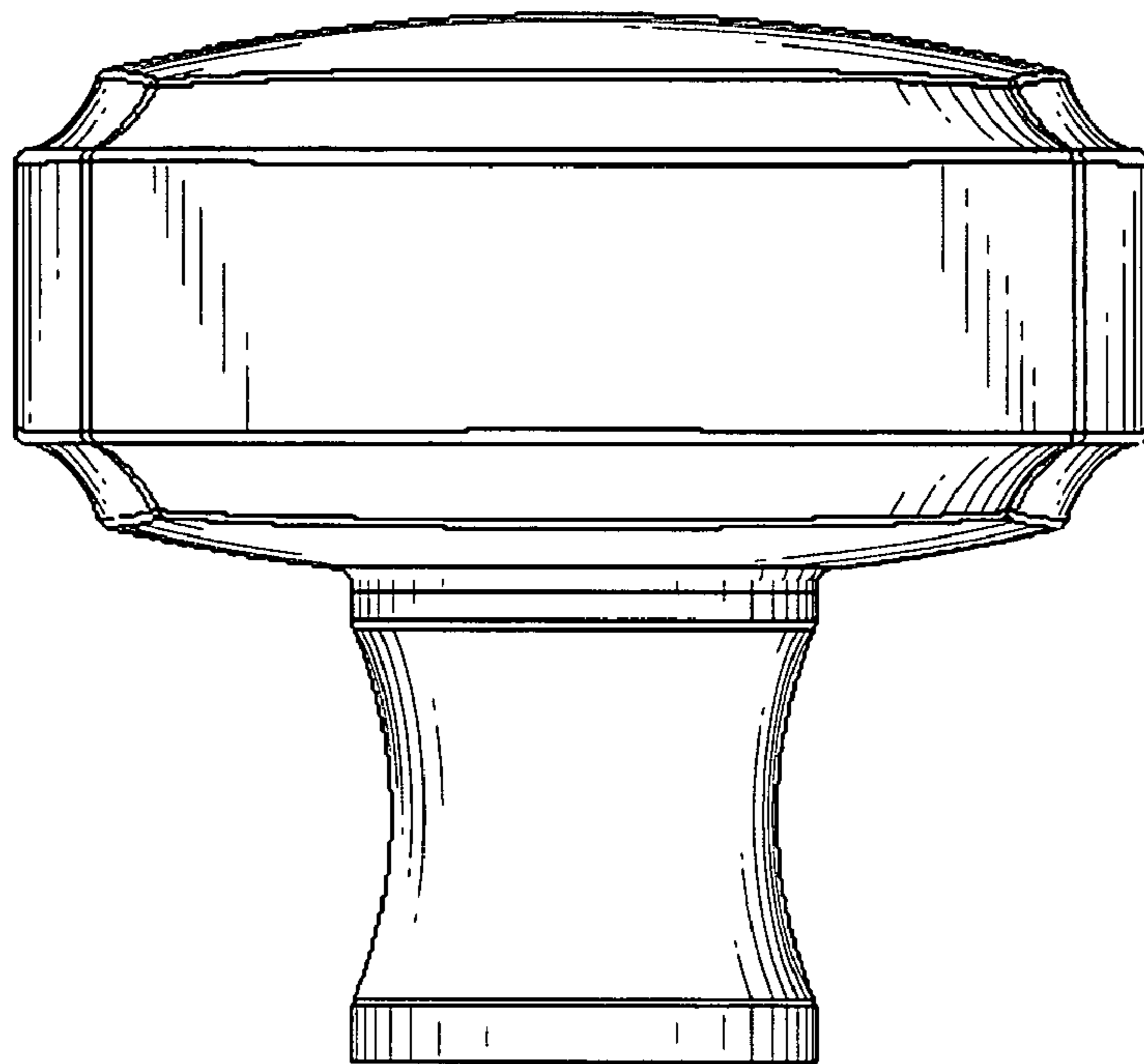


FIG. 4

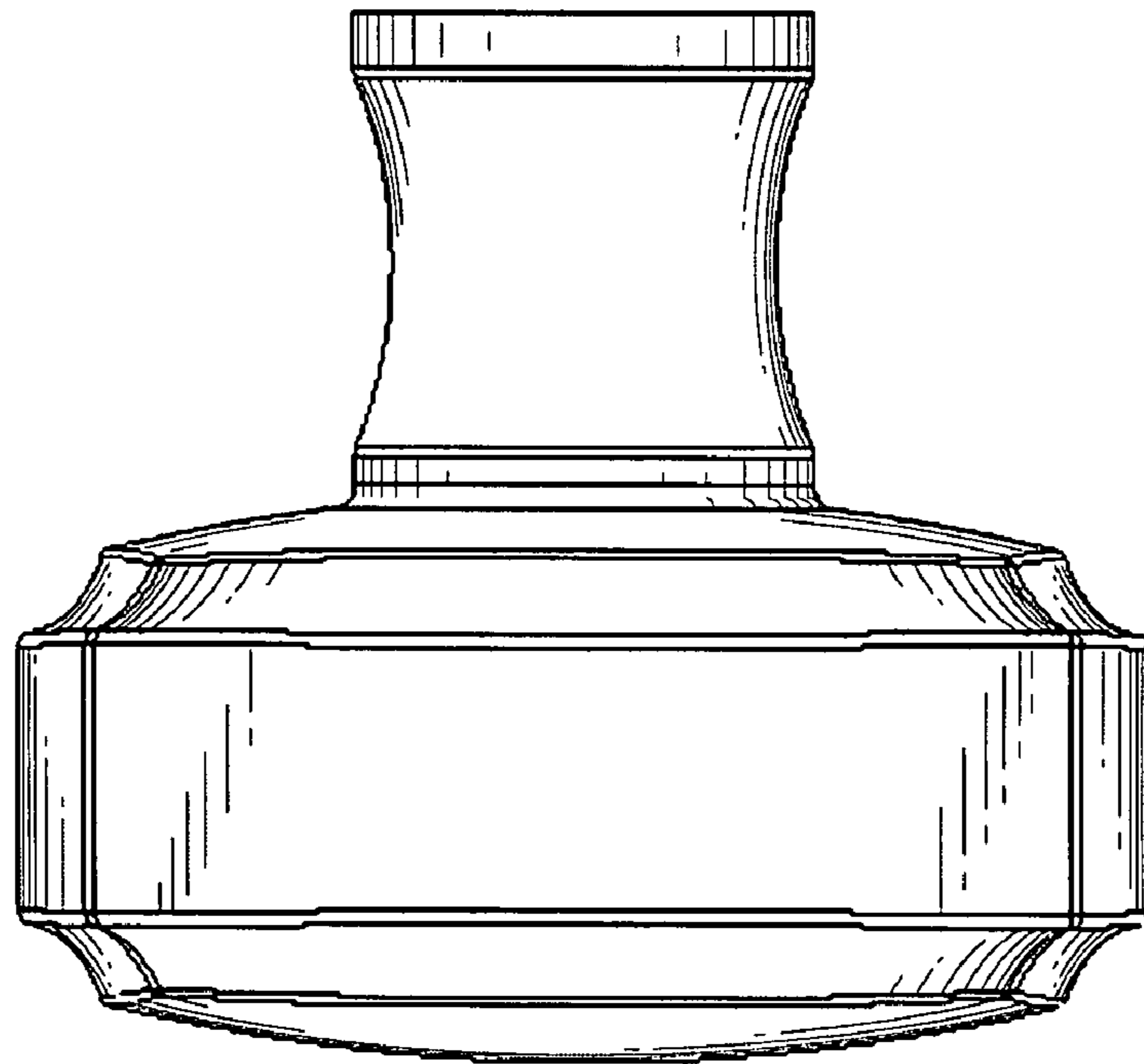


FIG. 5

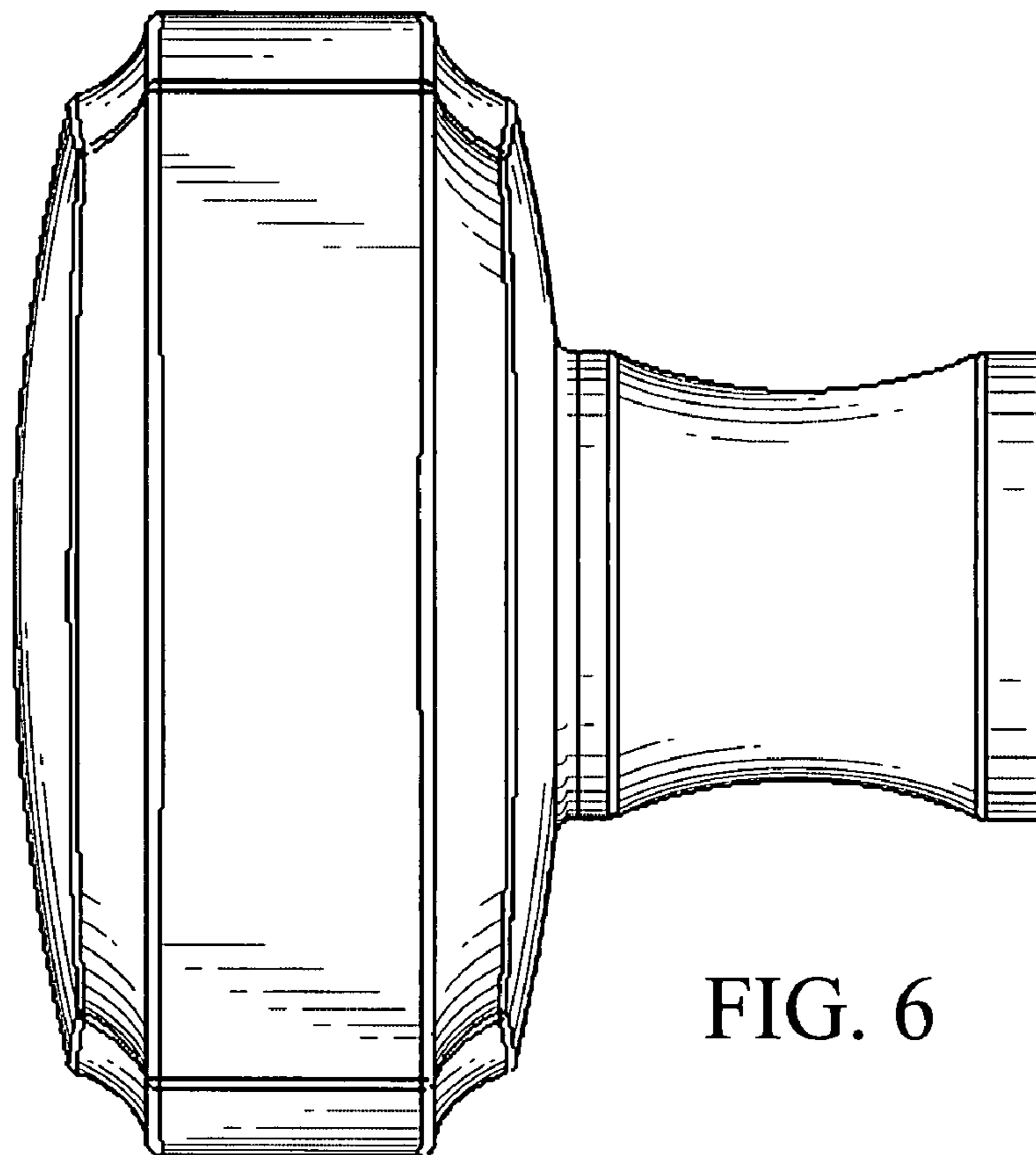


FIG. 6

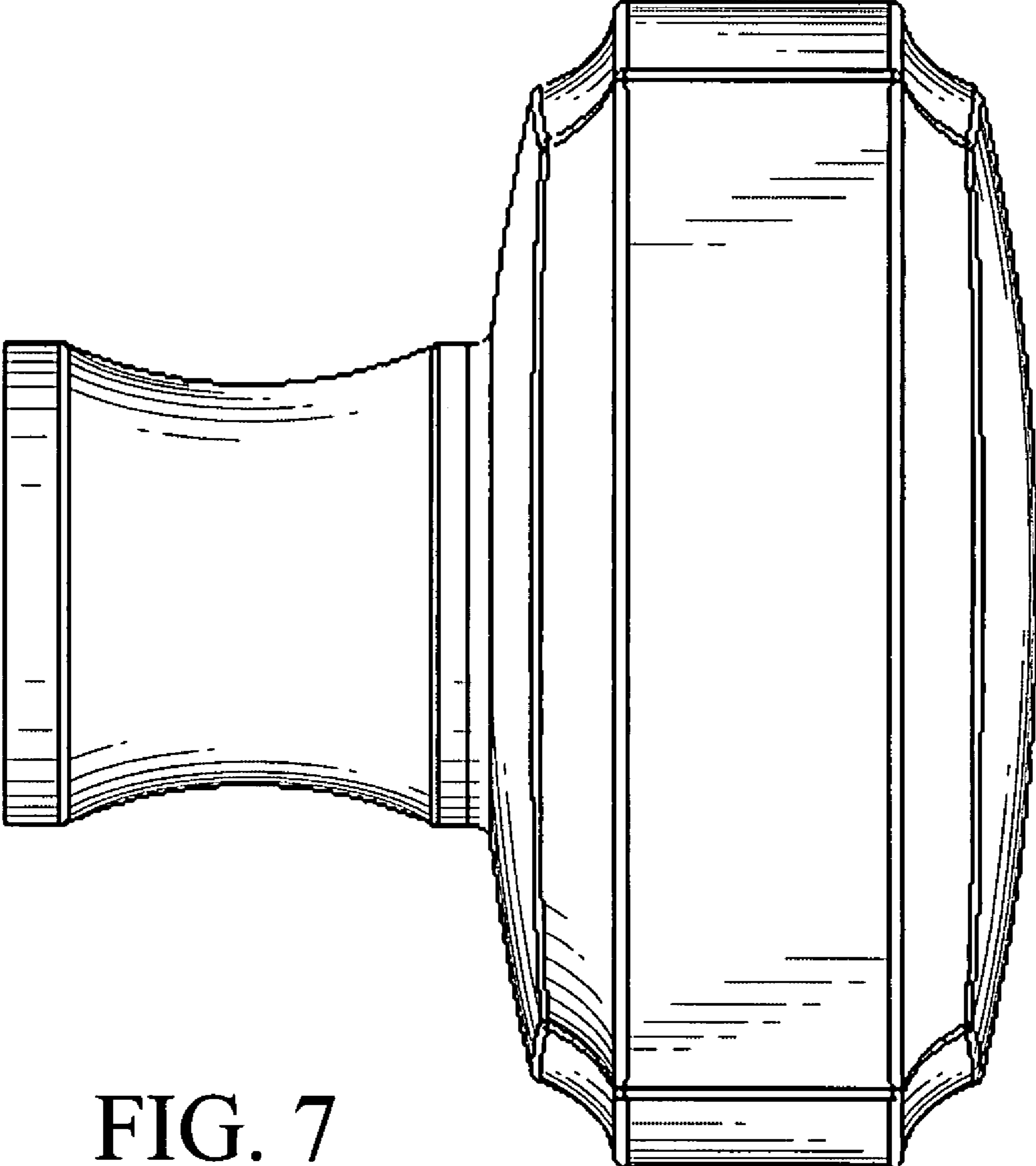


FIG. 7