



US00D579300S

(12) **United States Design Patent**  
**Visconti et al.**

(10) **Patent No.:** **US D579,300 S**  
(45) **Date of Patent:** **\*\* Oct. 28, 2008**

(54) **LETTER OPENER**

(75) Inventors: **Frank J. Visconti**, Manchester, MO (US); **John G. Goessling, Jr.**, St. Louis, MO (US)

(73) Assignee: **Quick Point, Inc.**, Fenton, MO (US)

(\*\*) Term: **14 Years**

(21) Appl. No.: **29/320,489**

(22) Filed: **Jun. 27, 2008**

D405,674	S	*	2/1999	Reidenbach	.....	D8/102
D409,071	S	*	5/1999	Reidenbach	.....	D8/102
6,003,181	A	*	12/1999	Wenk	.....	7/160
D421,889	S	*	3/2000	Moore	.....	D8/102
6,163,910	A	*	12/2000	Cheldin	.....	7/160
D438,440	S	*	3/2001	Cheldin	.....	D8/48
6,286,745	B1	*	9/2001	Ackeret	.....	227/76
D455,784	S	*	4/2002	FitzGerald	.....	D19/65
6,574,871	B1	*	6/2003	Visconti et al.	.....	30/294
D488,698	S	*	4/2004	Moore	.....	D8/102
D501,387	S	*	2/2005	Huang	.....	D8/105
6,874,189	B2	*	4/2005	Ackeret	.....	7/160
6,941,604	B2	*	9/2005	Ackeret	.....	7/160
D526,879	S	*	8/2006	Chudek et al.	.....	D8/104

\* cited by examiner

**Related U.S. Application Data**

(63) Continuation of application No. 29/282,413, filed on Jul. 19, 2007.

(51) **LOC (8) Cl.** ..... **08-03**

(52) **U.S. Cl.** ..... **D8/102**

(58) **Field of Classification Search** ..... D8/98, D8/107, 102, 103, 104, 48, 99, 41; D19/65; 30/DIG. 3, 294; 254/28; 7/160

See application file for complete search history.

*Primary Examiner*—Cathron C Brooks

*Assistant Examiner*—Austin Murphy

(74) *Attorney, Agent, or Firm*—Polster Lieder Woodruff & Lucchesi, L.C.

(57)

**CLAIM**

The ornamental design for a letter opener, as shown and described.

**DESCRIPTION**

FIG. 1 is a top, front and right side perspective view of a transparent letter opener;

FIG. 2 is a front elevational view thereof;

FIG. 3 is a rear elevational view thereof;

FIG. 4 is a left side elevational view thereof;

FIG. 5 is a right side elevational view thereof;

FIG. 6 is a top view thereof; and,

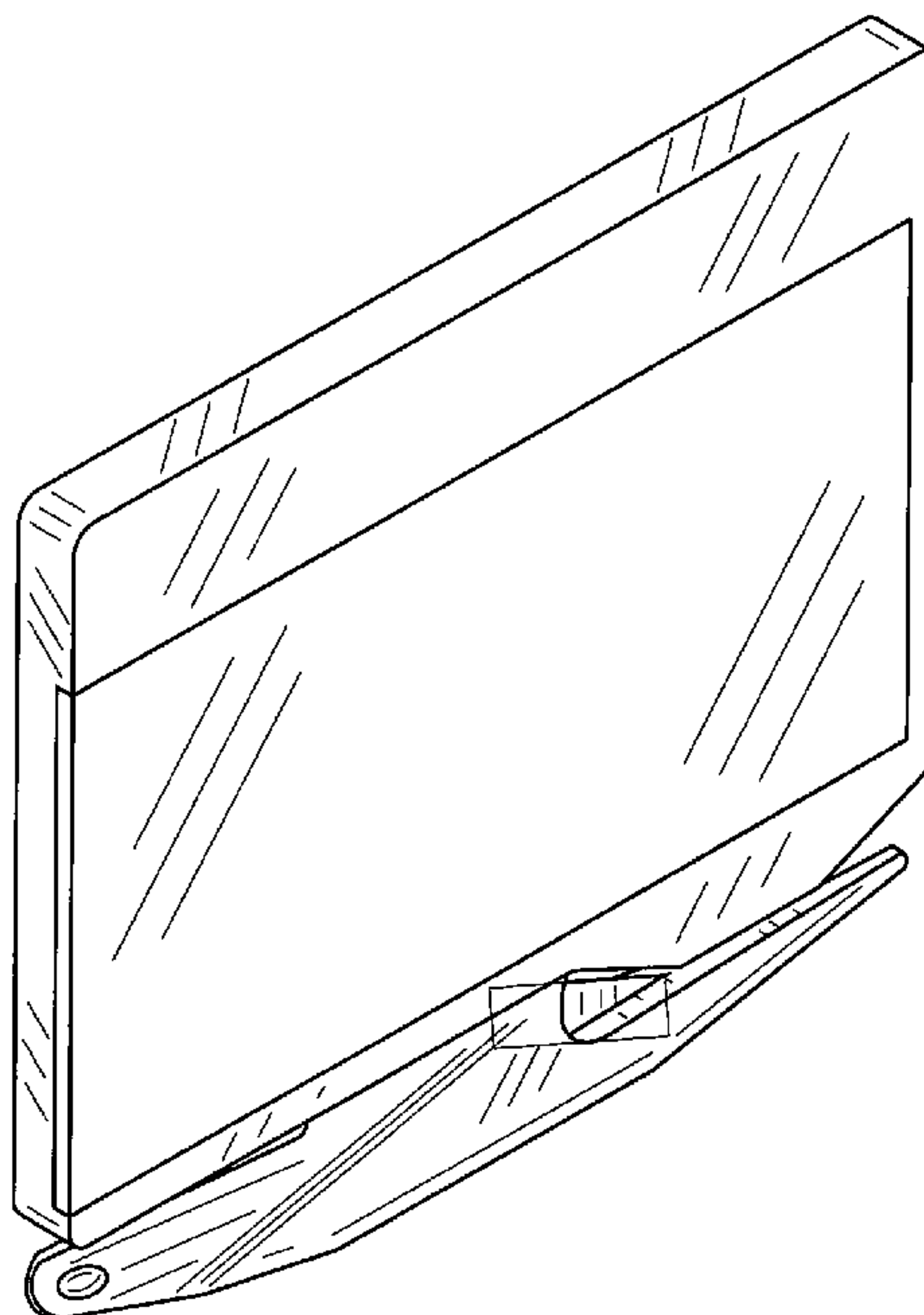
FIG. 7 is a bottom view thereof.

**1 Claim, 2 Drawing Sheets**

(56) **References Cited**

**U.S. PATENT DOCUMENTS**

D306,394	S	*	3/1990	Koenig	.....	D8/102
D329,584	S	*	9/1992	Shevin et al.	.....	D8/102
D329,798	S	*	9/1992	Kramer et al.	.....	D8/102
5,285,577	A	*	2/1994	Carney et al.	.....	30/294
D350,770	S	*	9/1994	Carney et al.	.....	D19/36
D352,217	S	*	11/1994	Hochfeld et al.	.....	D8/48
D365,267	S	*	12/1995	Goessling et al.	.....	D8/102
D368,010	S	*	3/1996	Lage et al.	.....	D8/103
D380,365	S	*	7/1997	Schmidt	.....	D8/102
D388,306	S	*	12/1997	Vaught	.....	D8/104



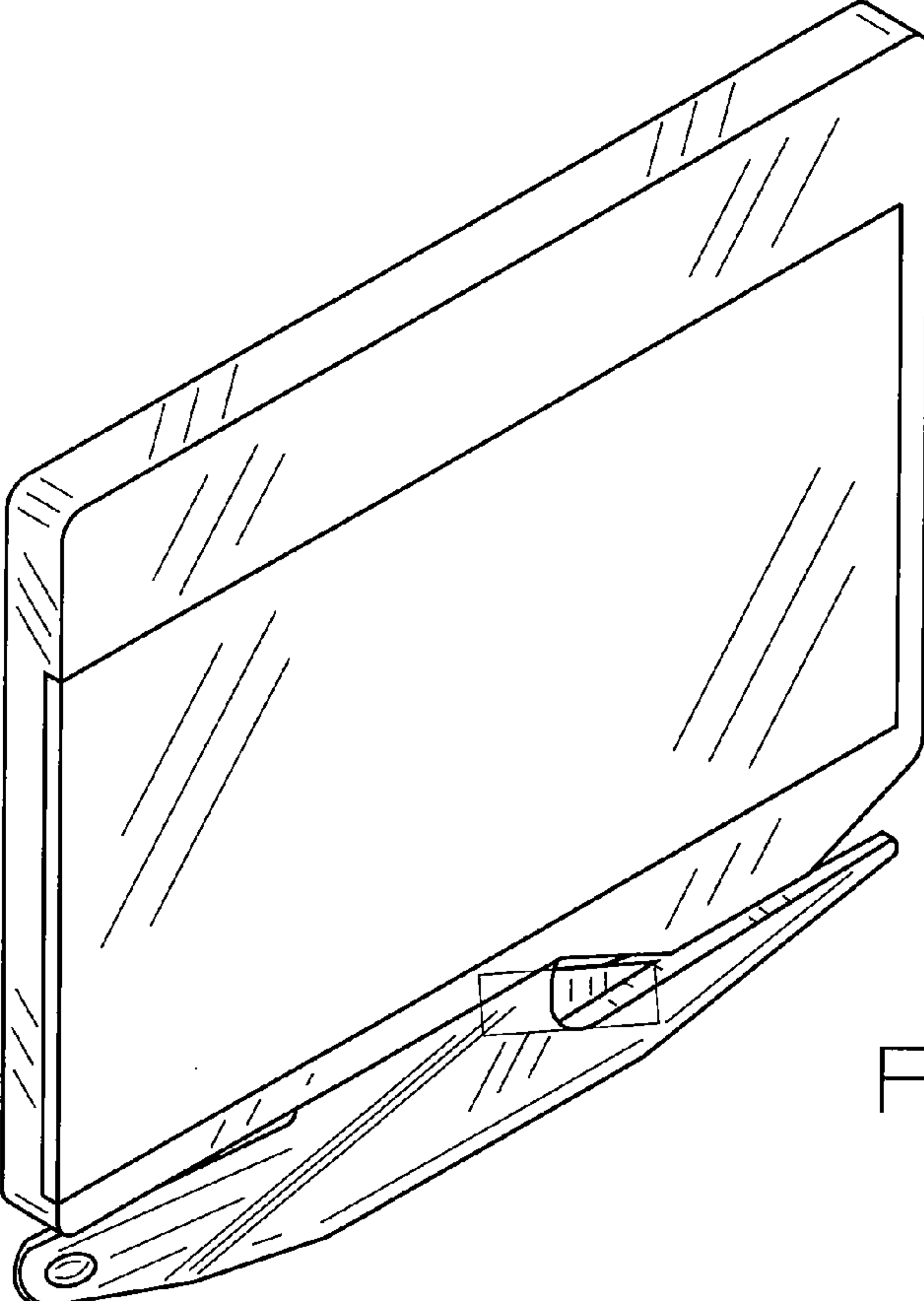


FIG. 1

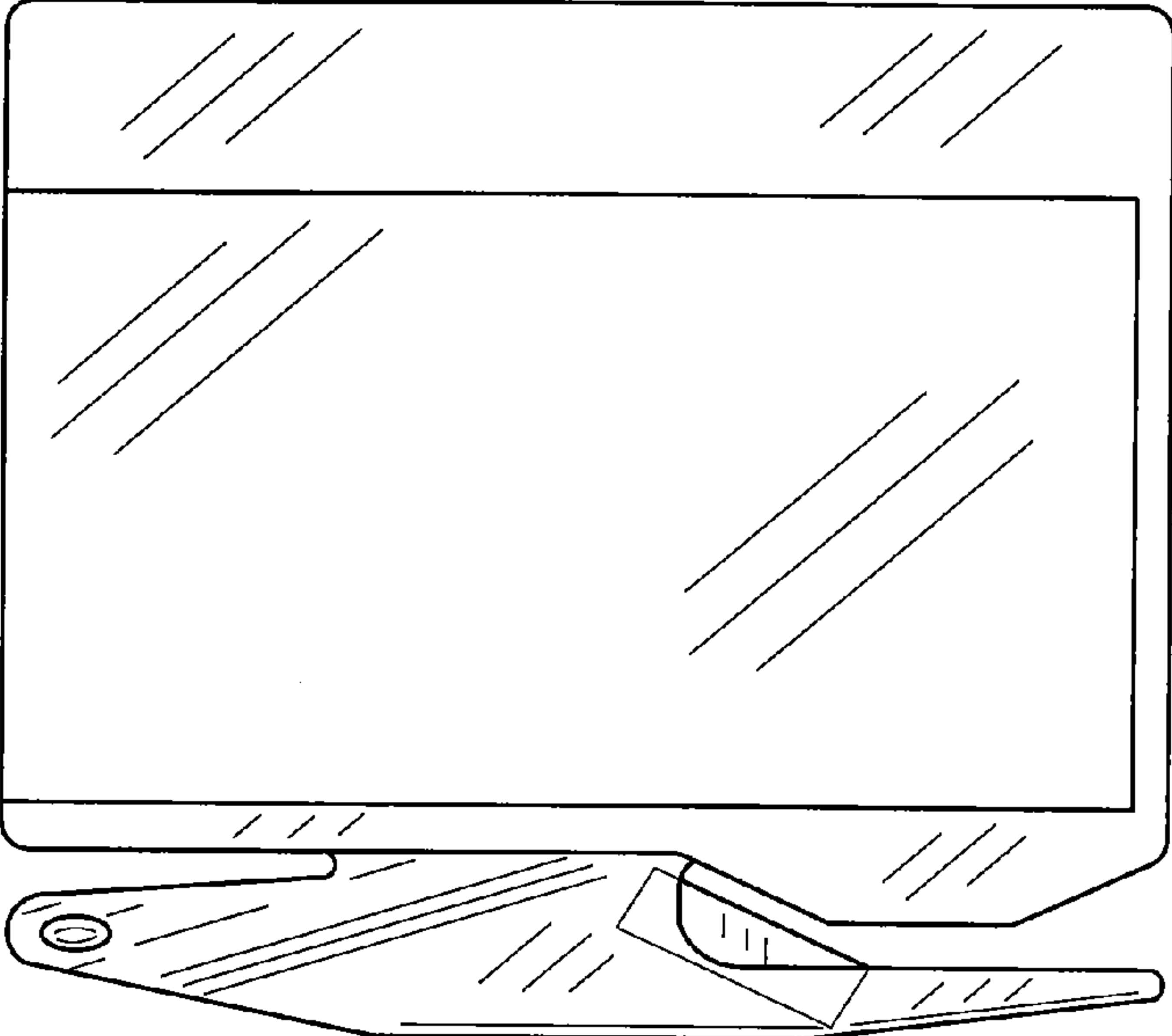


FIG. 2

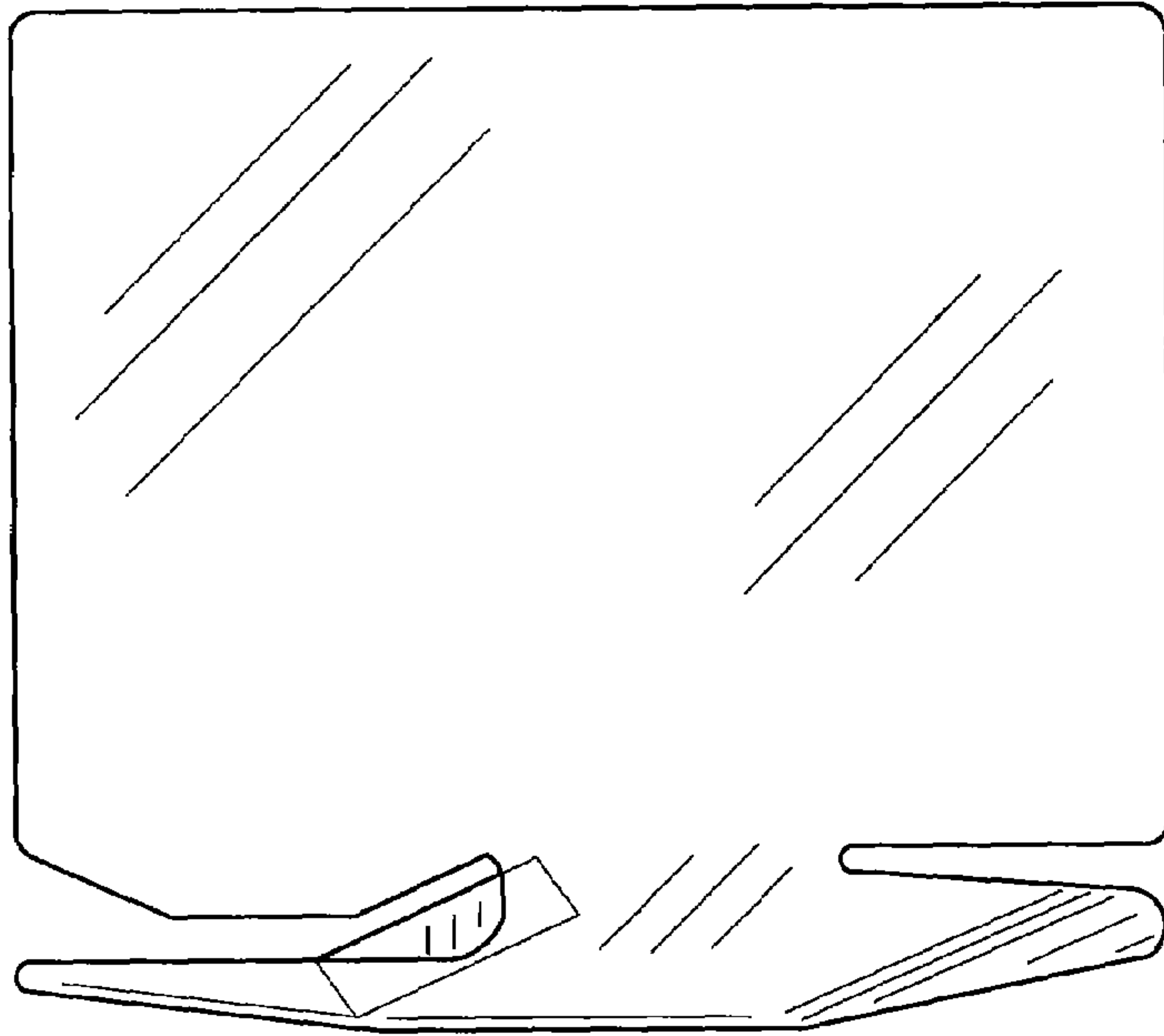


FIG. 3



FIG. 4



FIG. 5



FIG. 6

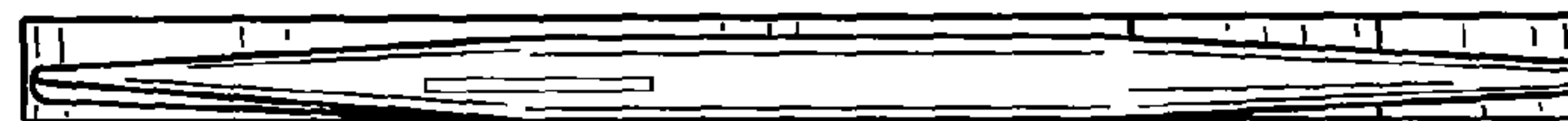


FIG. 7