



US00D579299S

(12) **United States Design Patent**
Ping

(10) **Patent No.:** **US D579,299 S**

(45) **Date of Patent:** **** Oct. 28, 2008**

(54) **FOLDABLE KNIFE**

(75) Inventor: **Qiu Jian Ping**, Hangzhou (CN)

(73) Assignee: **Great Neck Saw Manufacturers, Inc.**,
Mineola, NY (US)

(**) Term: **14 Years**

(21) Appl. No.: **29/294,822**

(22) Filed: **Jan. 29, 2008**

Related U.S. Application Data

(62) Division of application No. 29/268,987, filed on Nov. 17, 2006.

(51) **LOC (8) Cl.** **08-03**

(52) **U.S. Cl.** **D8/99**

(58) **Field of Classification Search** D8/98,
D8/99, 100, 107; D22/118; 30/155, 159,
30/157, 158, 160, 161, 329, 330, 331
See application file for complete search history.

(56) **References Cited**

U.S. PATENT DOCUMENTS

D407,004 S *	3/1999	Hull et al.	D8/99
D435,421 S *	12/2000	Strider et al.	D8/99
6,688,003 B2	2/2004	Scarla		
D494,437 S	8/2004	Scarla		
D495,939 S *	9/2004	Ping	D8/99
D495,940 S *	9/2004	Keppel et al.	D8/99
D501,782 S	2/2005	Ping		

6,915,577 B2 *	7/2005	Scala	30/156
6,951,055 B1 *	10/2005	Collins	30/162
D516,403 S	3/2006	Ping		
D519,817 S	5/2006	Wong		
D522,835 S	6/2006	Ping		
D526,878 S	8/2006	Ping		
D541,128 S	4/2007	Farland		
D546,158 S	7/2007	Ping		
D552,955 S	10/2007	Ping		

* cited by examiner

Primary Examiner—Philip S Hyder

(74) *Attorney, Agent, or Firm*—Joseph J. Previto

(57) **CLAIM**

The ornamental design for a foldable knife, substantially as shown and described.

DESCRIPTION

FIG. 1 is a perspective view of my new design.

FIG. 2 is a top view thereof.

FIG. 3 is a side view thereof.

FIG. 4 is another side view thereof.

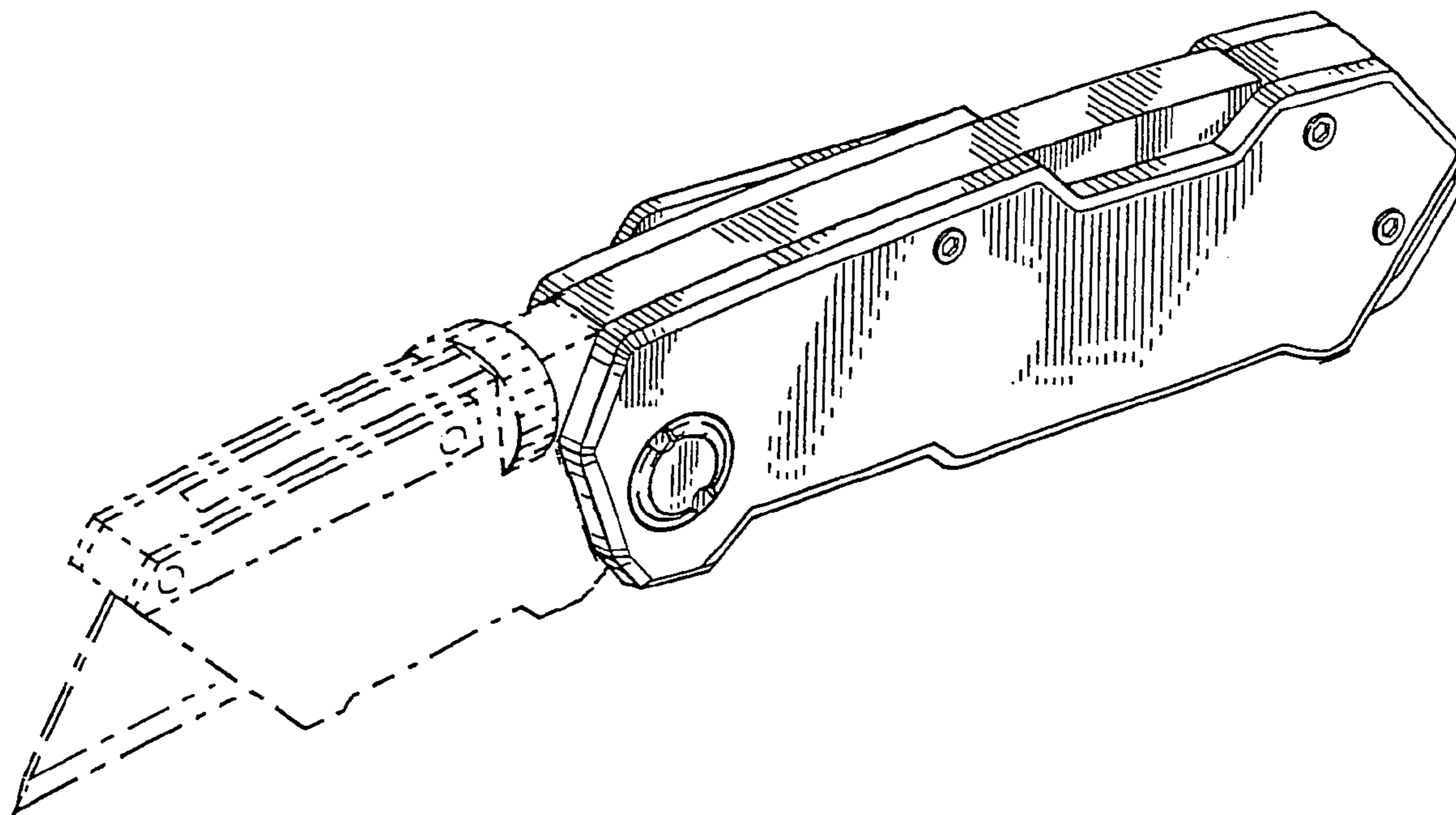
FIG. 5 is a bottom view thereof.

FIG. 6 is a front view thereof; and,

FIG. 7 is a rear view thereof.

The broken lines showing a blade holder is included for the purposes of illustrating environmental structure and forms no part of the claimed design.

1 Claim, 4 Drawing Sheets



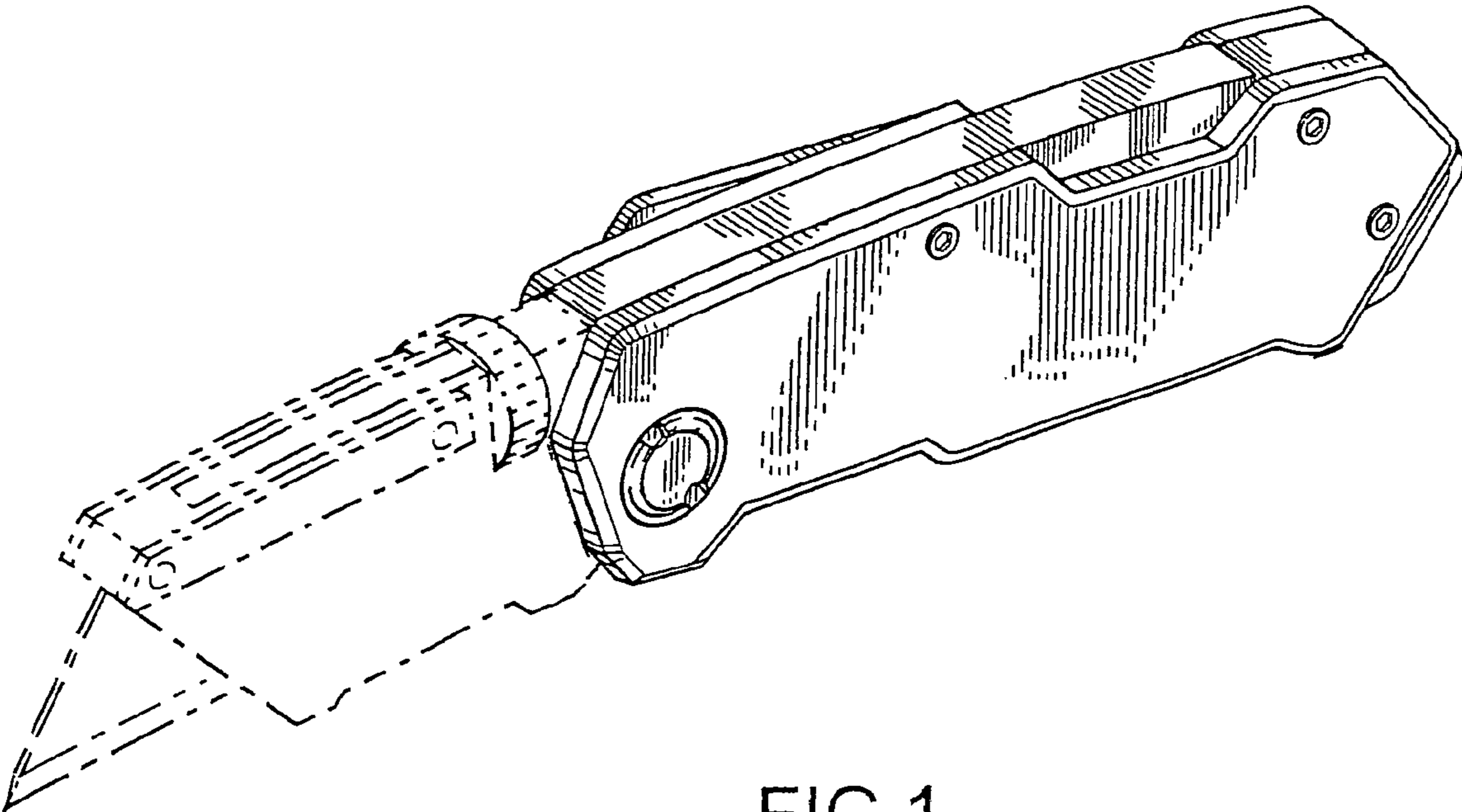


FIG.1

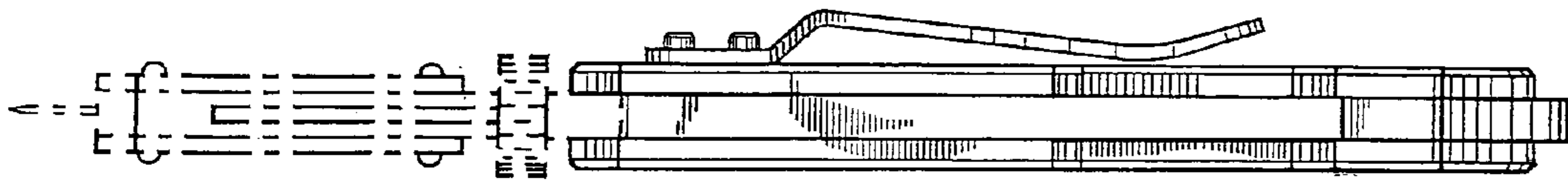


FIG. 2

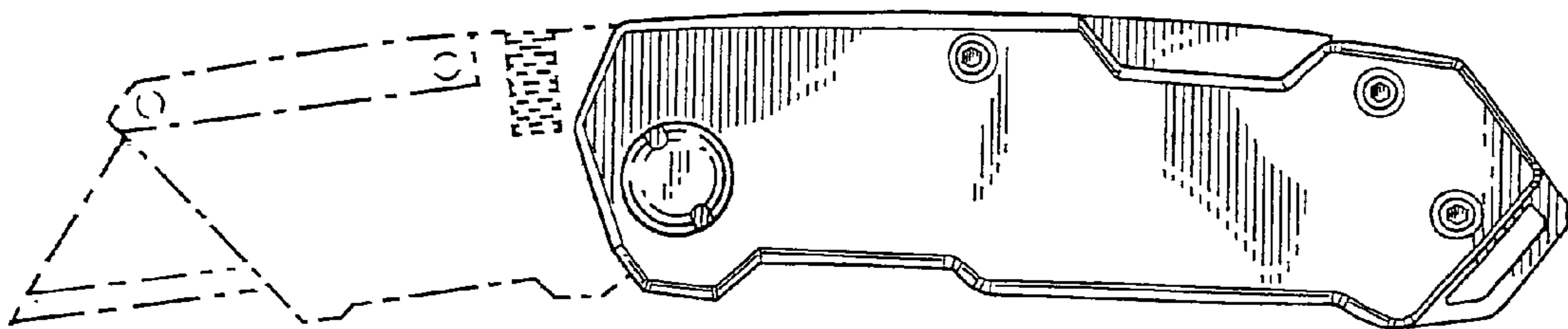


FIG. 3

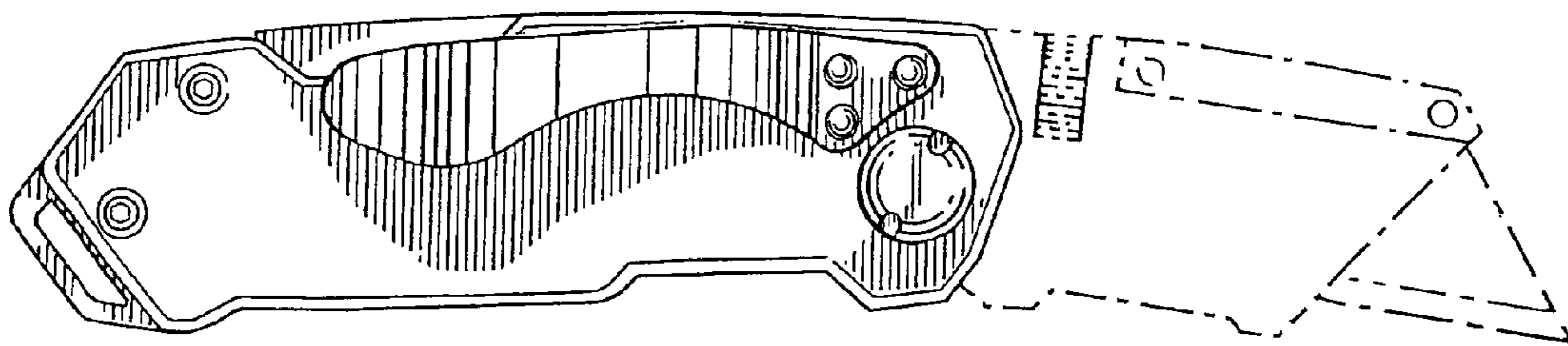


FIG. 4

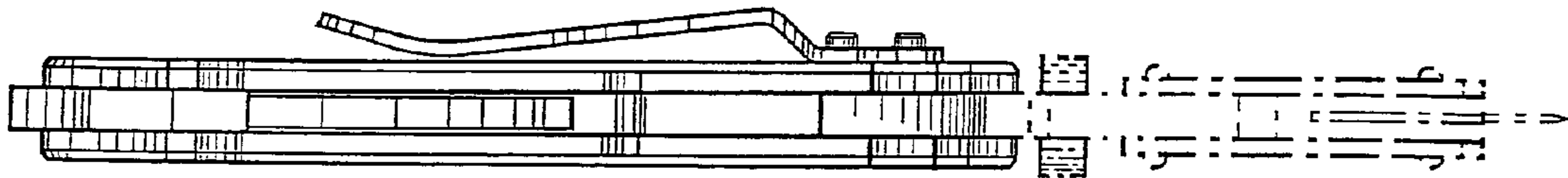


FIG. 5

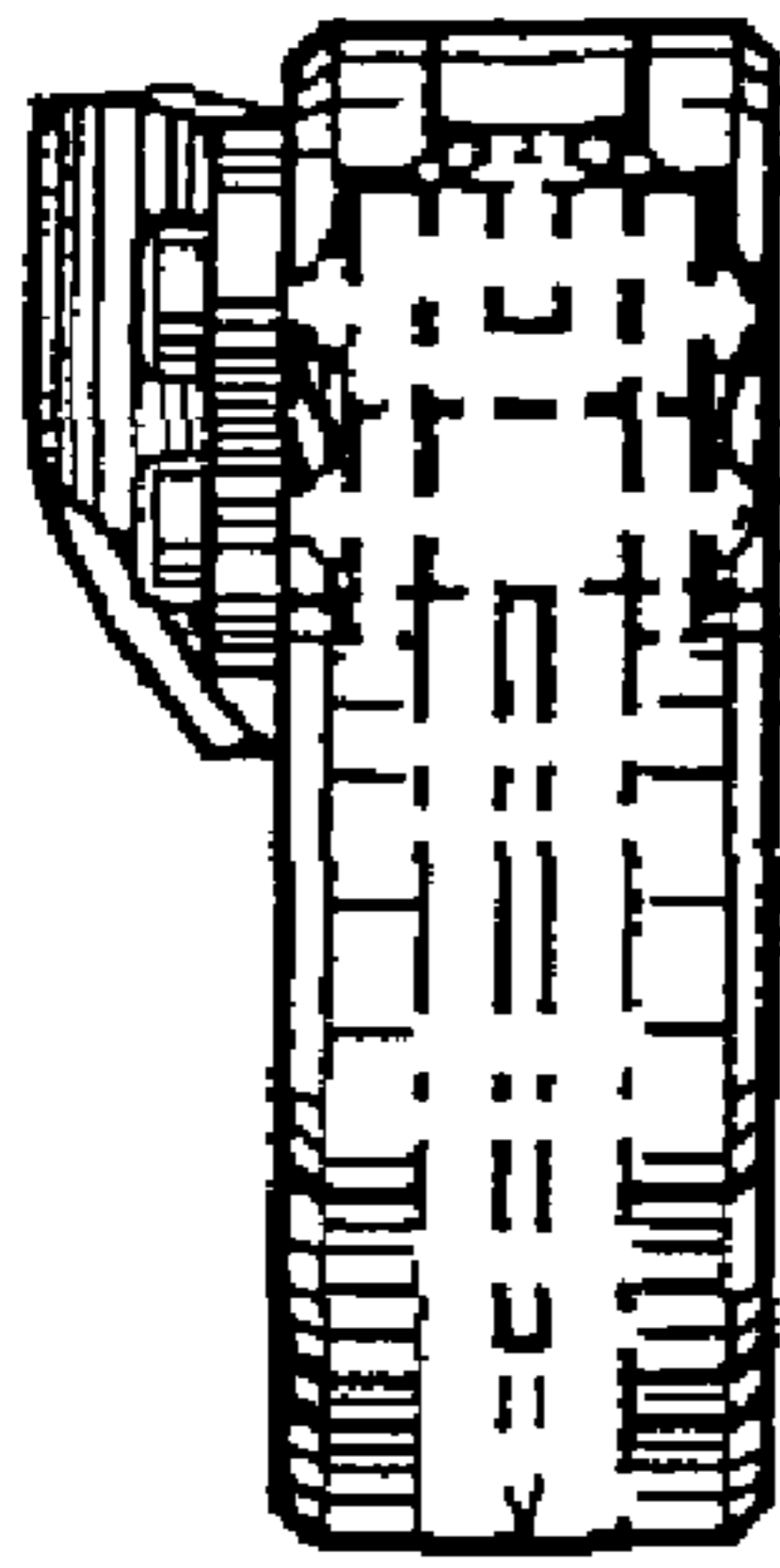


FIG. 6

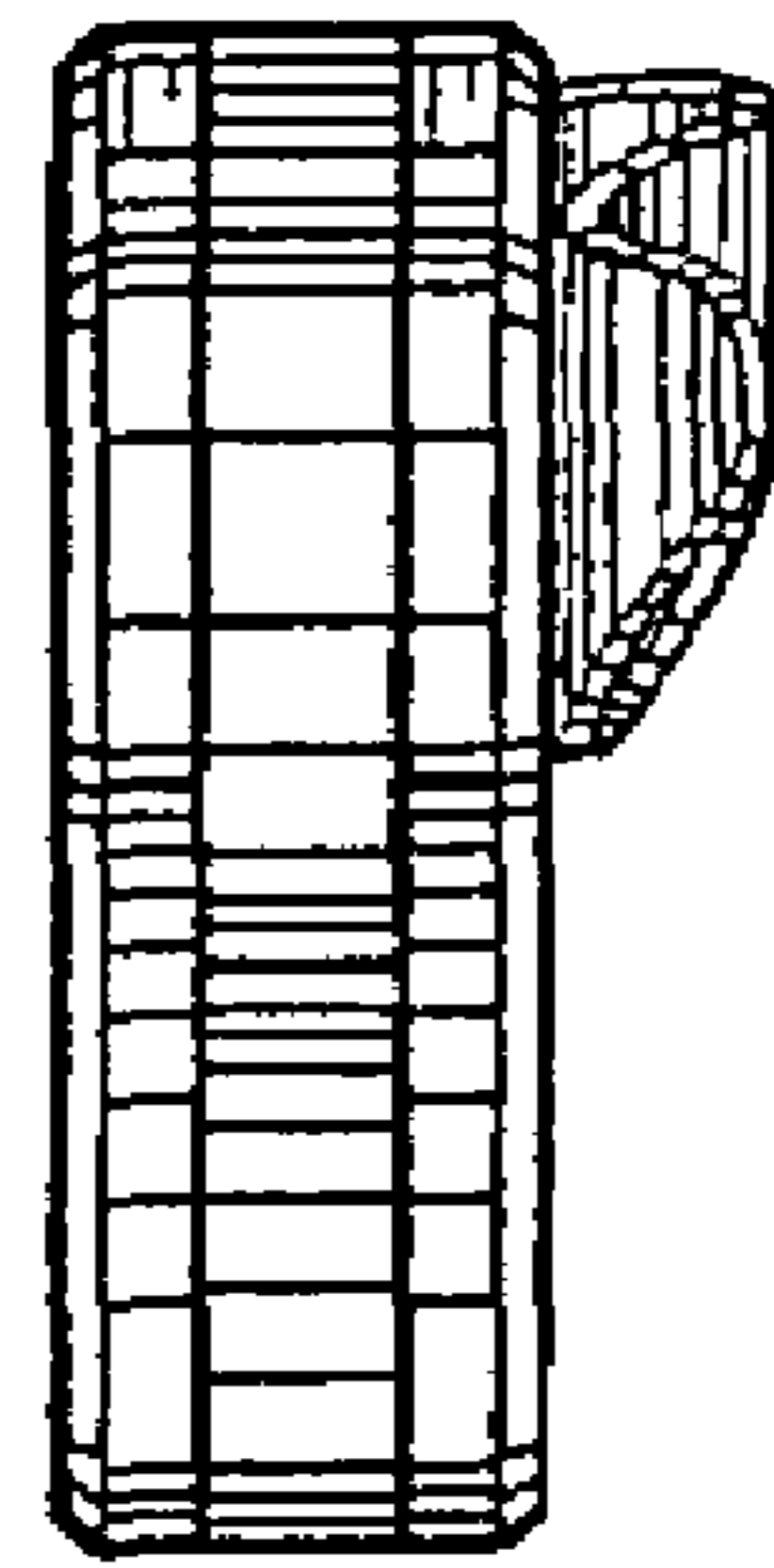


FIG. 7