



US00D579298S

(12) **United States Design Patent**
Moxey

(10) **Patent No.:** **US D579,298 S**

(45) **Date of Patent:** **** Oct. 28, 2008**

(54) **TENT PEG TOOL**

(76) **Inventor:** **Norman A. Moxey**, P.O. Box 7172,
Urangan, Queensland 4655 (AU)

(**) **Term:** **14 Years**

(21) **Appl. No.:** **29/261,286**

(22) **Filed:** **Jun. 12, 2006**

(30) **Foreign Application Priority Data**

Dec. 14, 2005 (AU) 15528/05

(51) **LOC (8) Cl.** **08-02**

(52) **U.S. Cl.** **D8/77**

(58) **Field of Classification Search** D8/75,
D8/76, 77, 78, 79, 80, 81, 105, 88, 89, 14;
81/19, 20, 21, 22; 254/25 R; 7/143, 146,
7/147

See application file for complete search history.

(56) **References Cited**

U.S. PATENT DOCUMENTS

2,518,059 A * 8/1950 Pemmerl 81/19

D161,034 S * 11/1950 Marthinsen D8/77
D179,018 S * 10/1956 Lowe D8/77
D182,132 S * 2/1958 MacMinn D8/77
3,844,321 A * 10/1974 Cook 81/26
3,942,567 A * 3/1976 Richilano 81/26
D274,496 S * 7/1984 Grover et al. D8/77
D285,284 S * 8/1986 Blomqvist D8/77
D302,932 S * 8/1989 Chapin et al. D8/75
5,960,677 A * 10/1999 Carmien 81/22

* cited by examiner

Primary Examiner—Philip S. Hyder

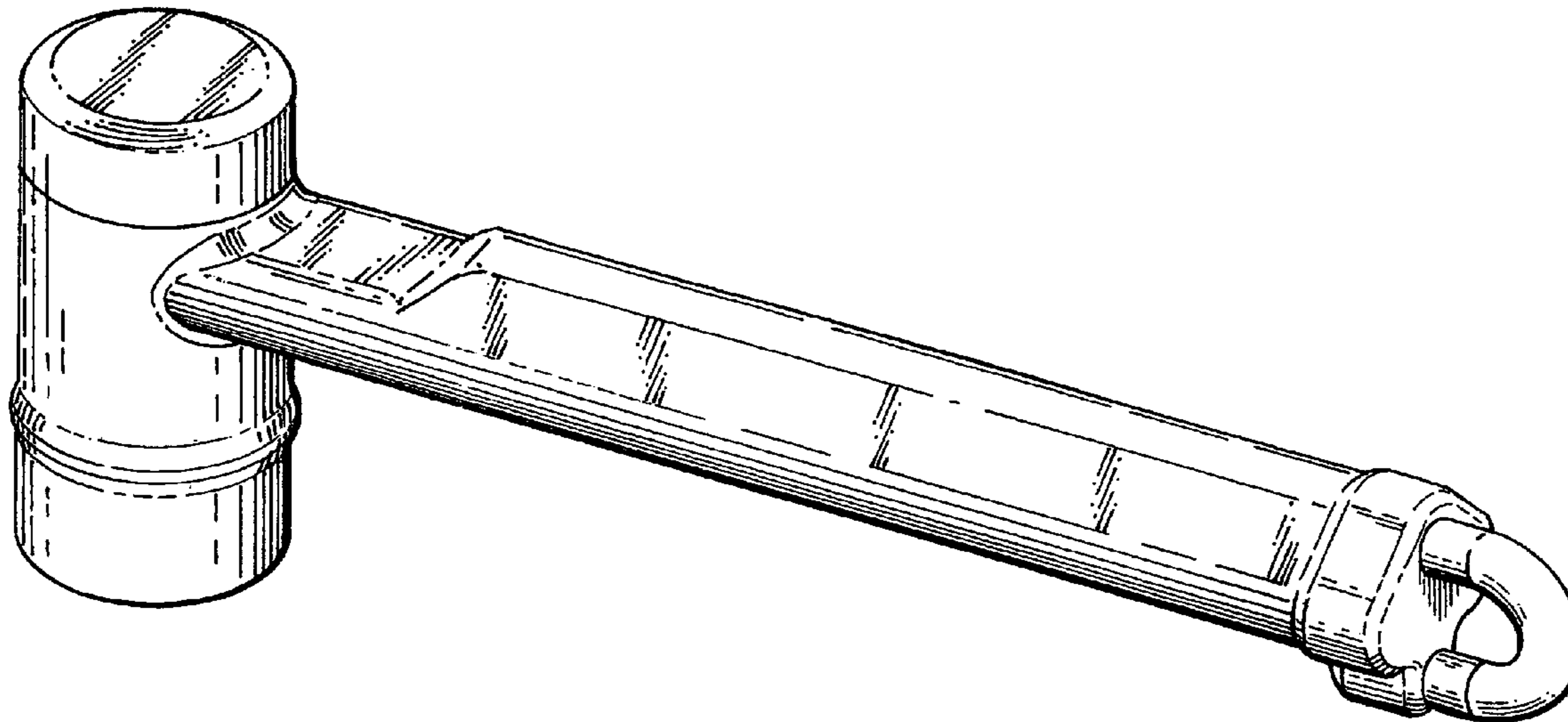
(57) **CLAIM**

The ornamental design for a tent peg tool, as shown and described.

DESCRIPTION

FIG. 1 is a perspective view illustrating a tent peg tool;
FIG. 2 is side view illustrating the tent peg tool of FIG. 1;
FIG. 3 is a top plan view illustrating the tent peg tool of FIG. 1; and,
FIG. 4 is an end view illustrating the tent peg tool of FIG. 1.

1 Claim, 4 Drawing Sheets



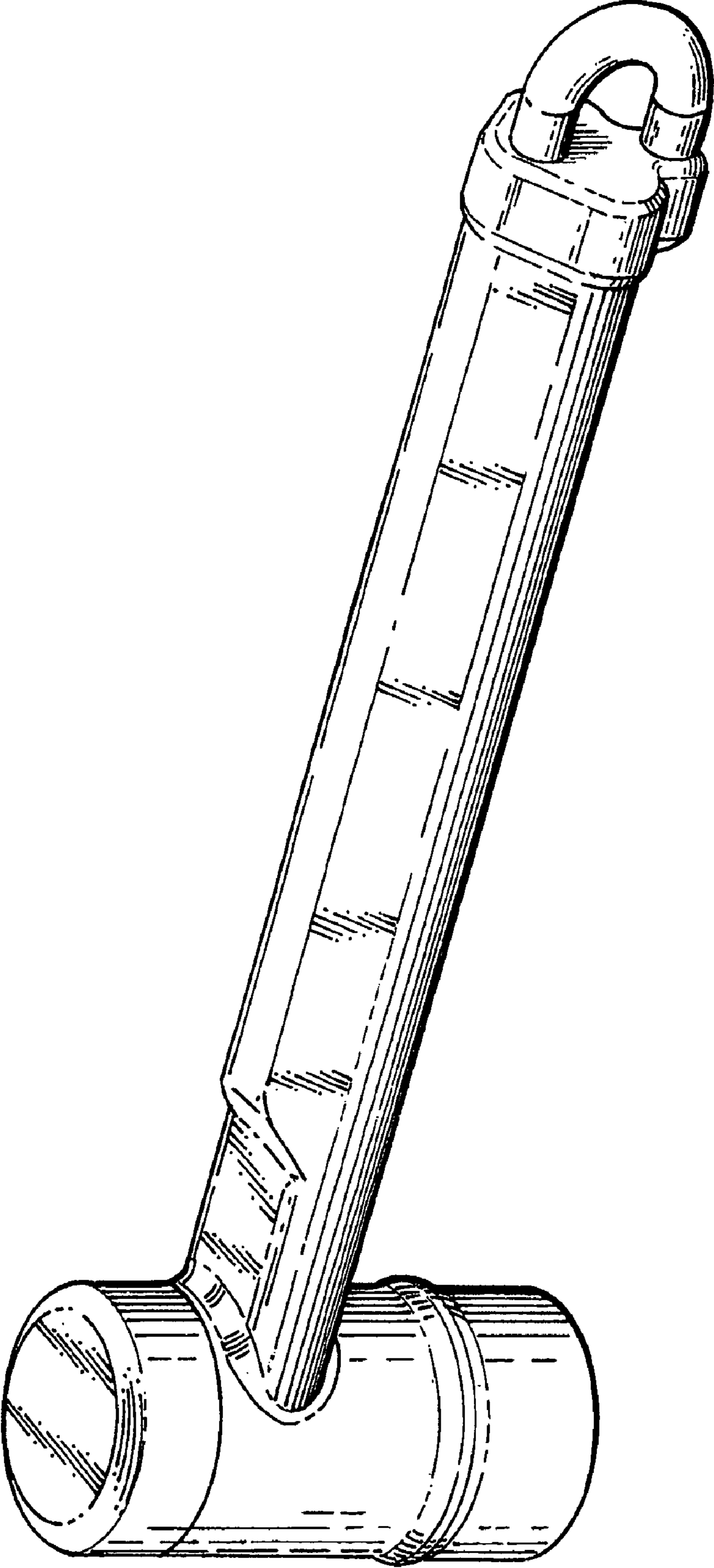


FIG.1

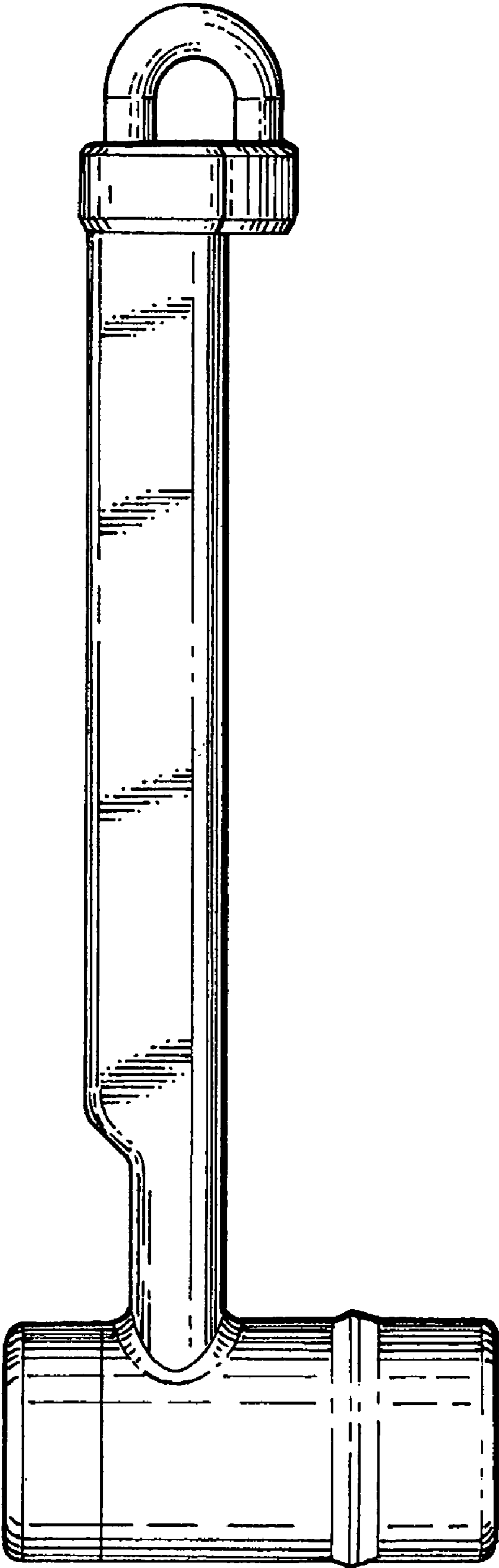


FIG. 2

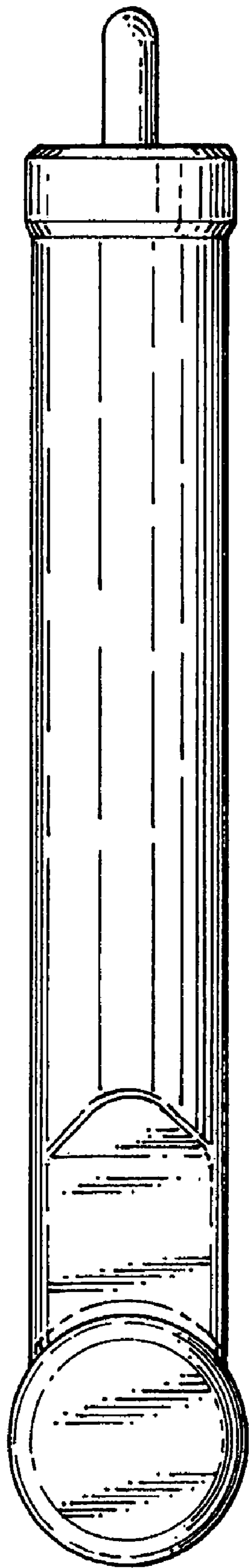


FIG. 3

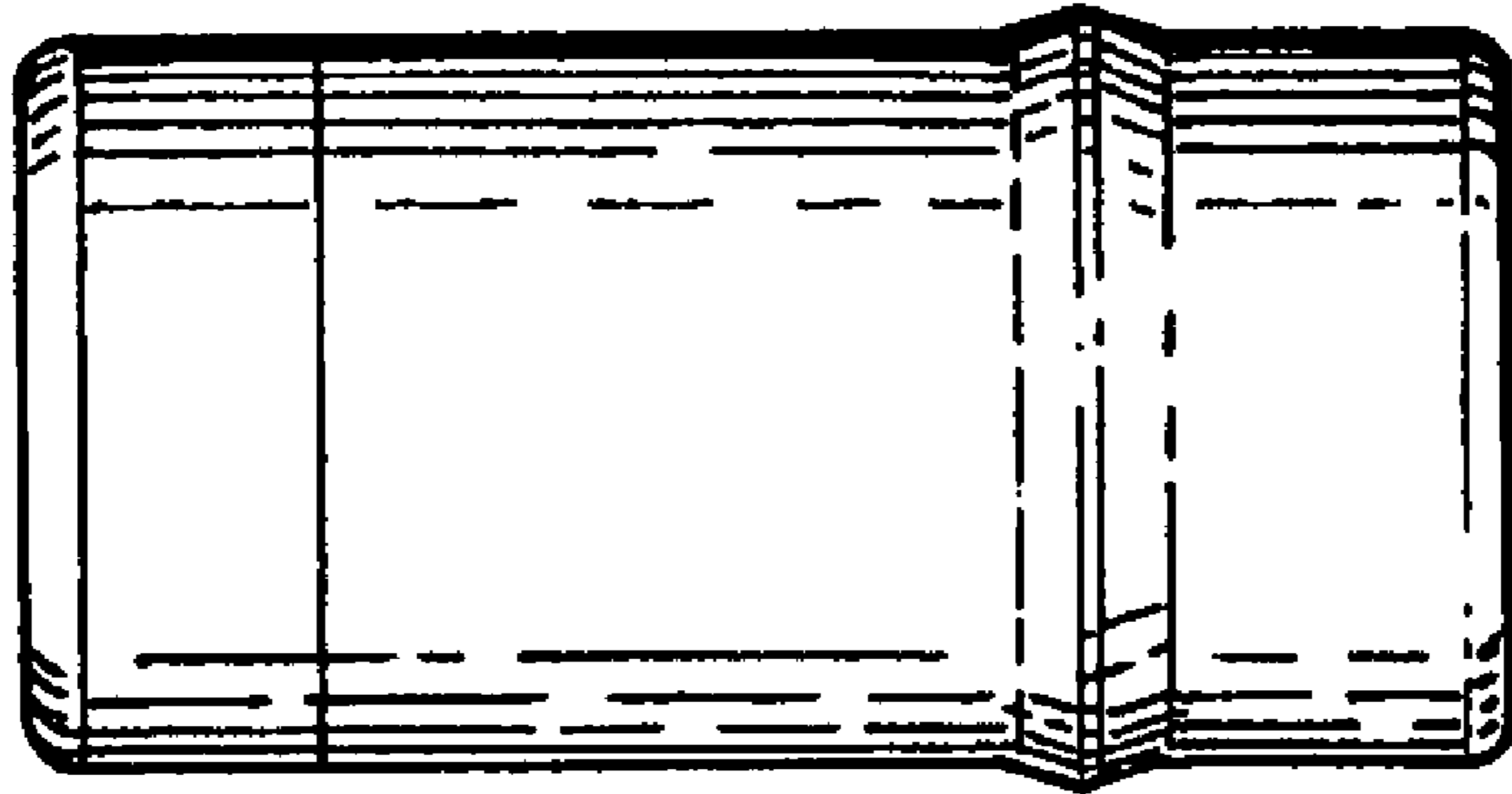


FIG. 4