



US00D579293S

(12) **United States Design Patent**
Irago

(10) **Patent No.:** **US D579,293 S**
(45) **Date of Patent:** **** Oct. 28, 2008**

(54) **STAPLER**

(75) Inventor: **Tomohiro Irago**, Tokyo (JP)

(73) Assignee: **Max Co., Ltd.**, Tokyo (JP)

(**) Term: **14 Years**

(21) Appl. No.: **29/287,955**

(22) Filed: **Oct. 4, 2007**

(30) **Foreign Application Priority Data**

Apr. 6, 2007 (JP) 2007-009258
Apr. 6, 2007 (JP) 2007-009259

(51) **LOC (8) Cl.** **19-02**

(52) **U.S. Cl.** **D8/50**

(58) **Field of Classification Search** D8/49,
D8/50, 61, 68, 69; D19/72, 73, 65, 69; D21/532;
D24/145; 7/158, 160; 227/4, 5, 6, 7, 8, 120,
227/127, 128, 131, 132, 134, 144, 156, 175.1;
606/139, 143, 153, 219

See application file for complete search history.

(56) **References Cited**

U.S. PATENT DOCUMENTS

D478,798 S * 8/2003 Huang D8/50
D502,369 S * 3/2005 Nakamura D8/50
D517,883 S * 3/2006 Tsai D8/50
D553,927 S * 10/2007 Chen et al. D8/50

FOREIGN PATENT DOCUMENTS

JP D1302337 6/2007

* cited by examiner

Primary Examiner—Cathron Brooks
Assistant Examiner—Austin Murphy
(74) *Attorney, Agent, or Firm*—Jean C. Edwards, Esq.;
Akerman Senterfitt

(57) **CLAIM**

The ornamental design for a stapler, as shown and described.

DESCRIPTION

FIG. 1 is a perspective view of the front, left and top of a stapler according to the first embodiment showing my new design;

FIG. 2 is a perspective view of the rear, right, and top view thereof;

FIG. 3 is a left side view thereof;

FIG. 4 is a front view thereof;

FIG. 5 is a rear view thereof;

FIG. 6 is a top plan view thereof;

FIG. 7 is a bottom view thereof;

FIG. 8 is a perspective view of the front, left and top of a stapler according to the second embodiment showing our new design;

FIG. 9 is a perspective view of the rear, right and top view thereof;

FIG. 10 is a left side view thereof;

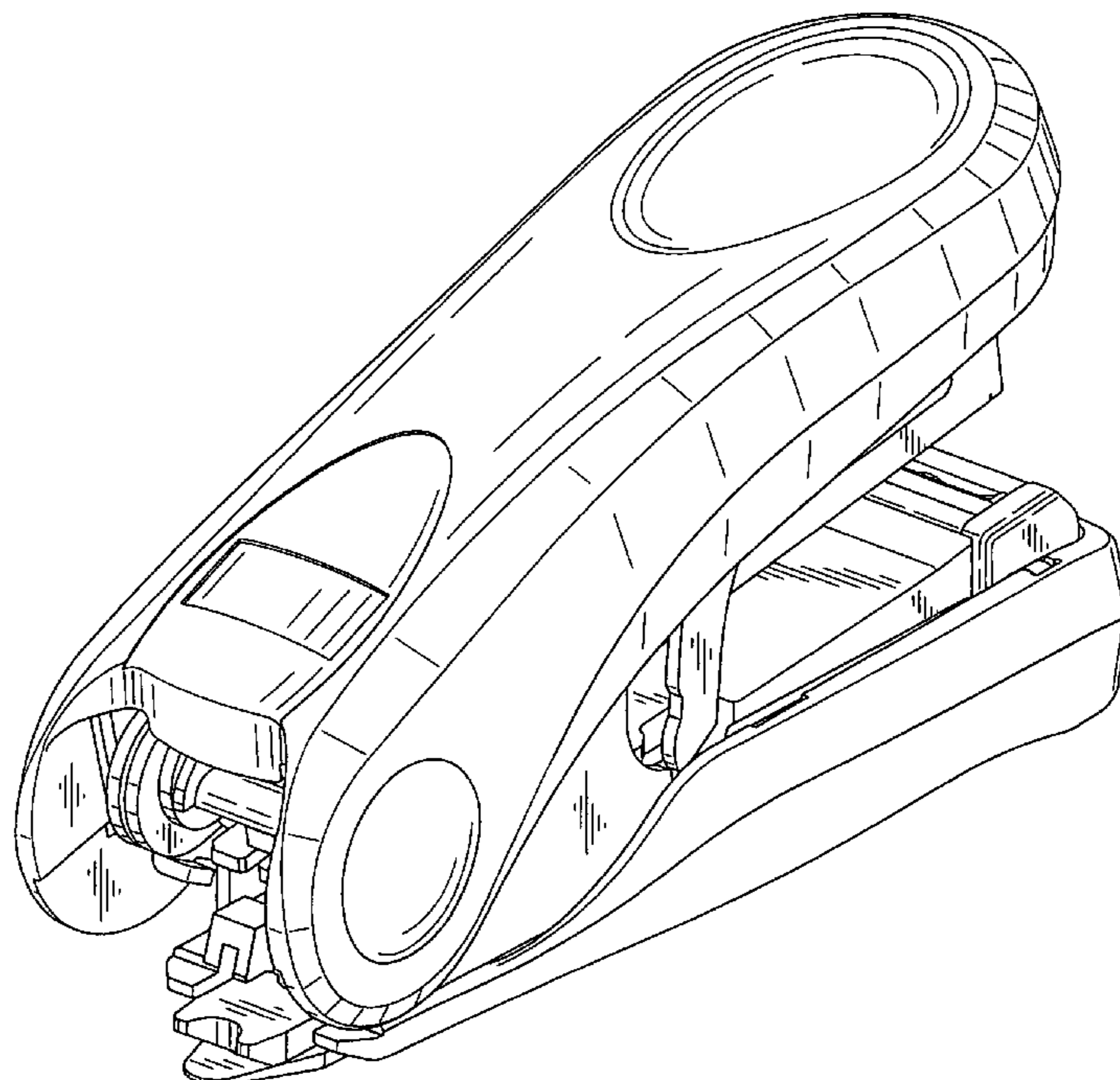
FIG. 11 is a front view thereof;

FIG. 12 is a rear view thereof;

FIG. 13 is a top plan view thereof; and,

FIG. 14 is a bottom view thereof.

1 Claim, 10 Drawing Sheets



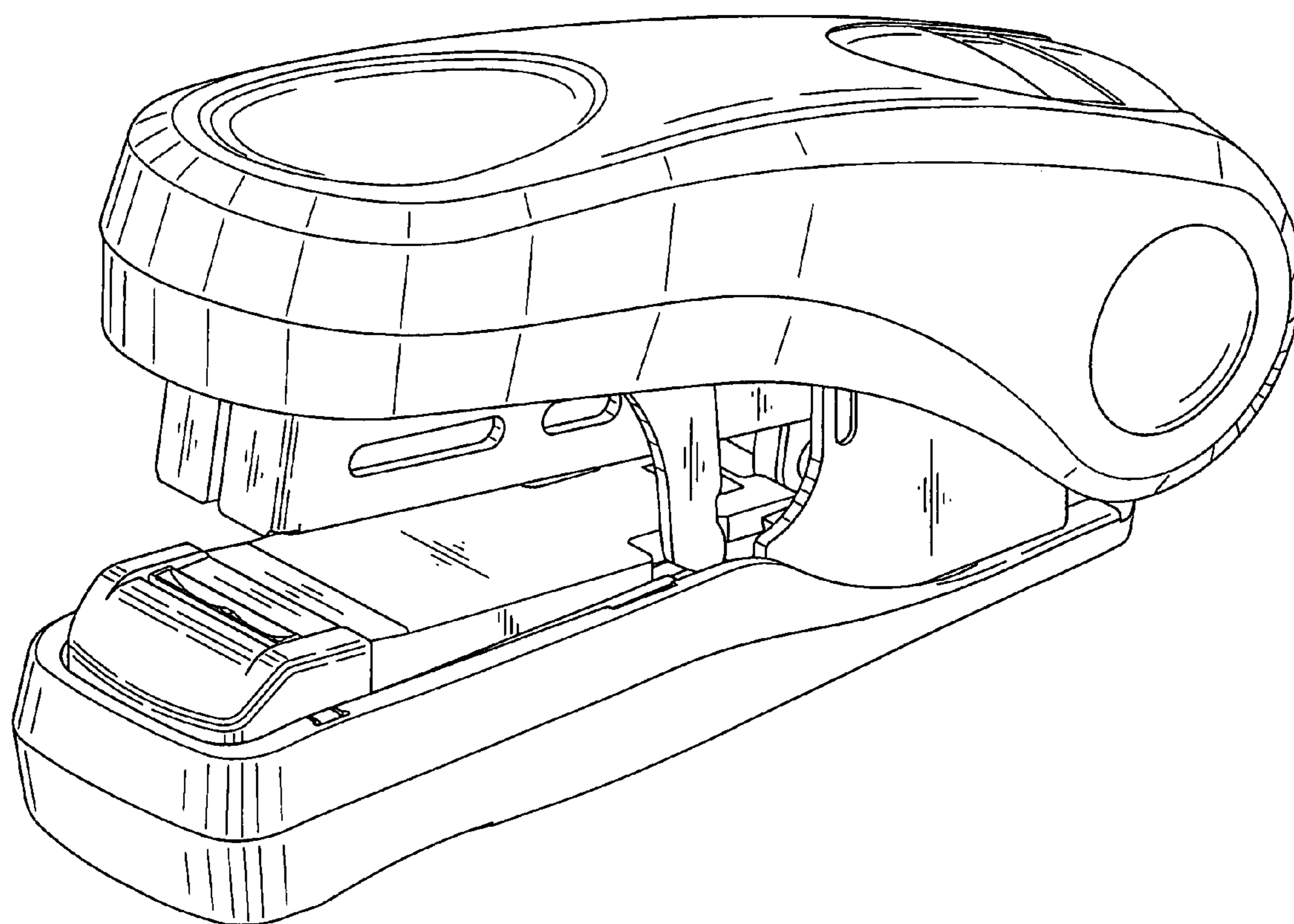


FIG. 1

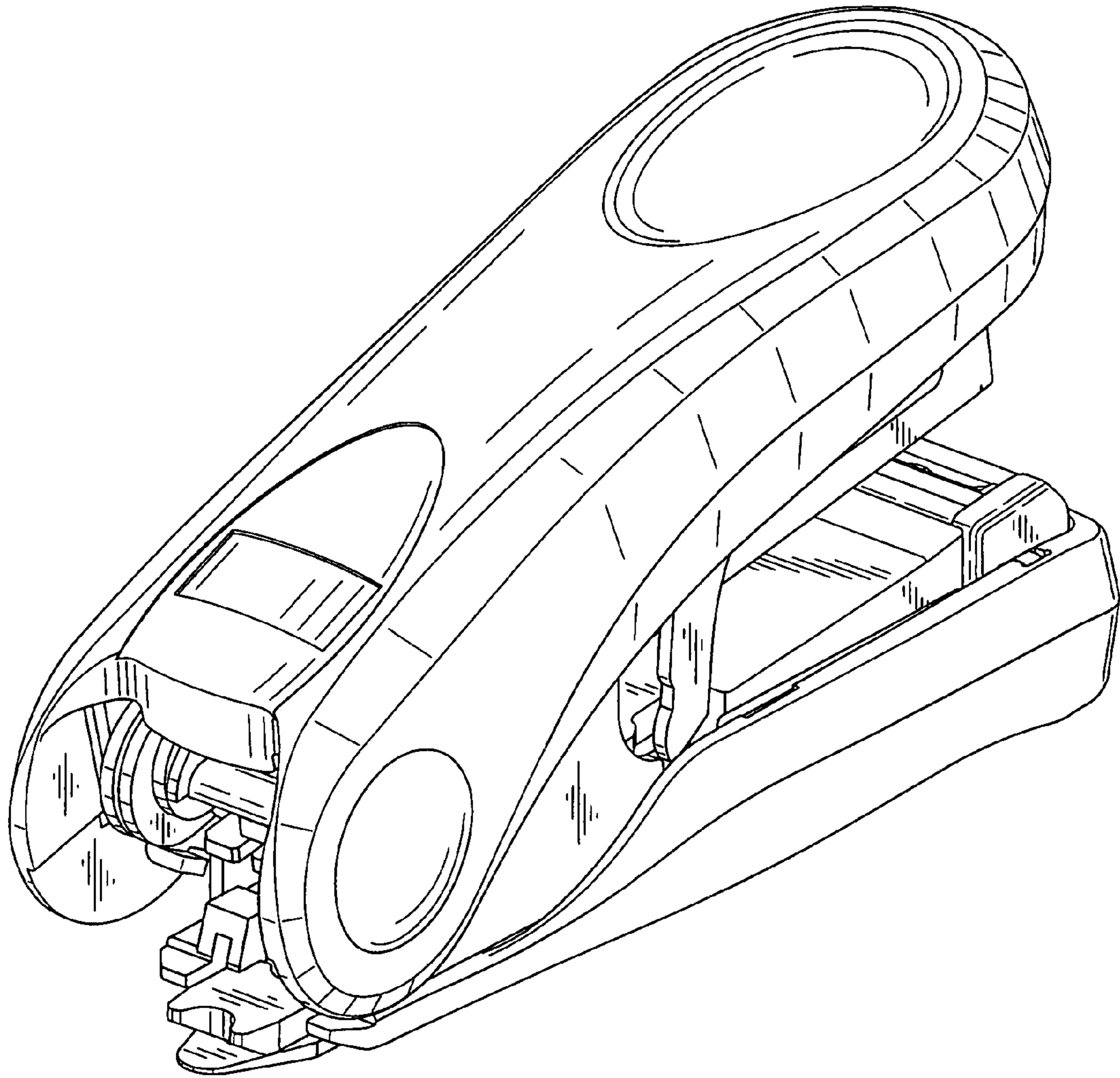


FIG. 2

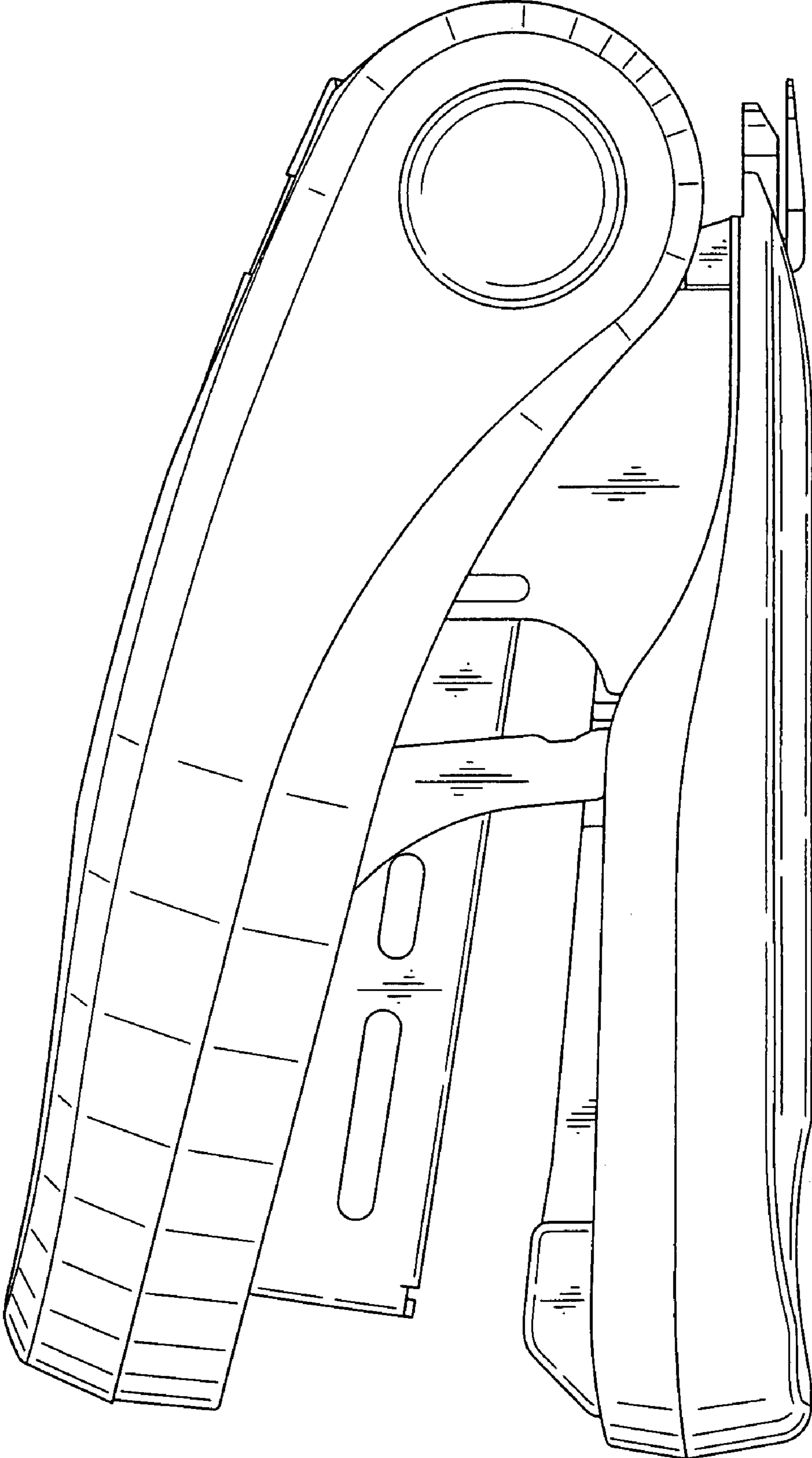


FIG. 3

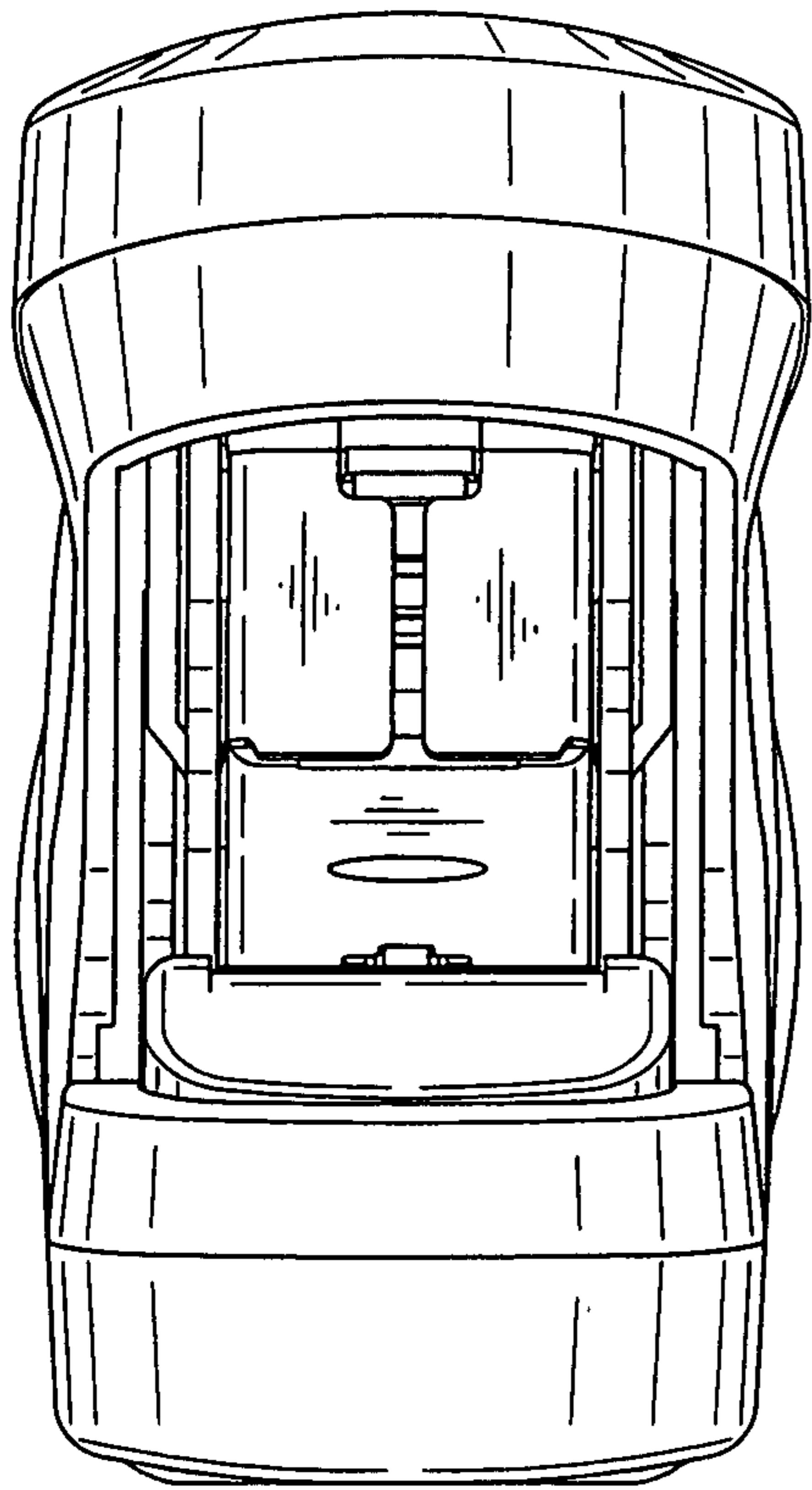


FIG. 4

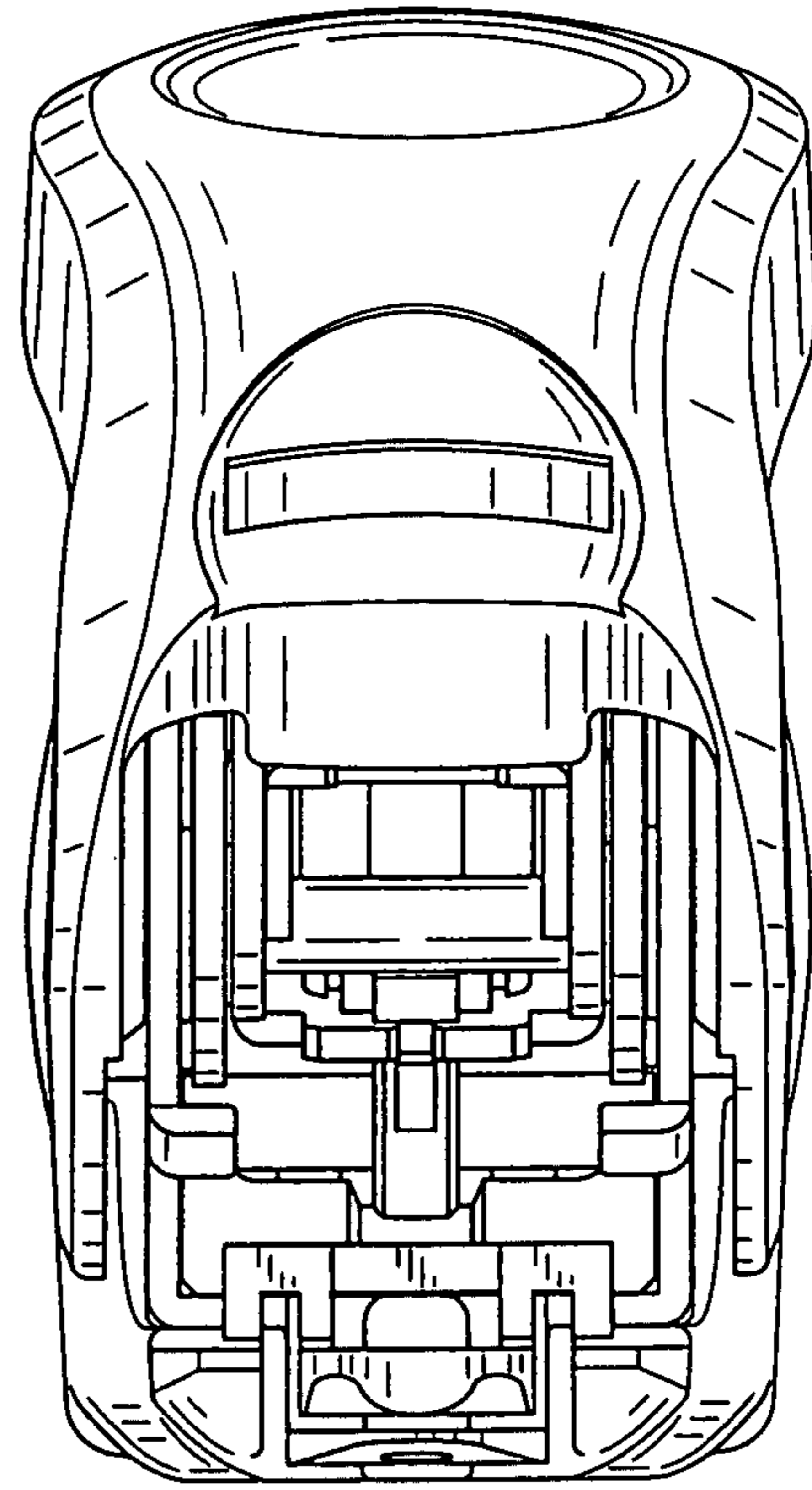


FIG. 5

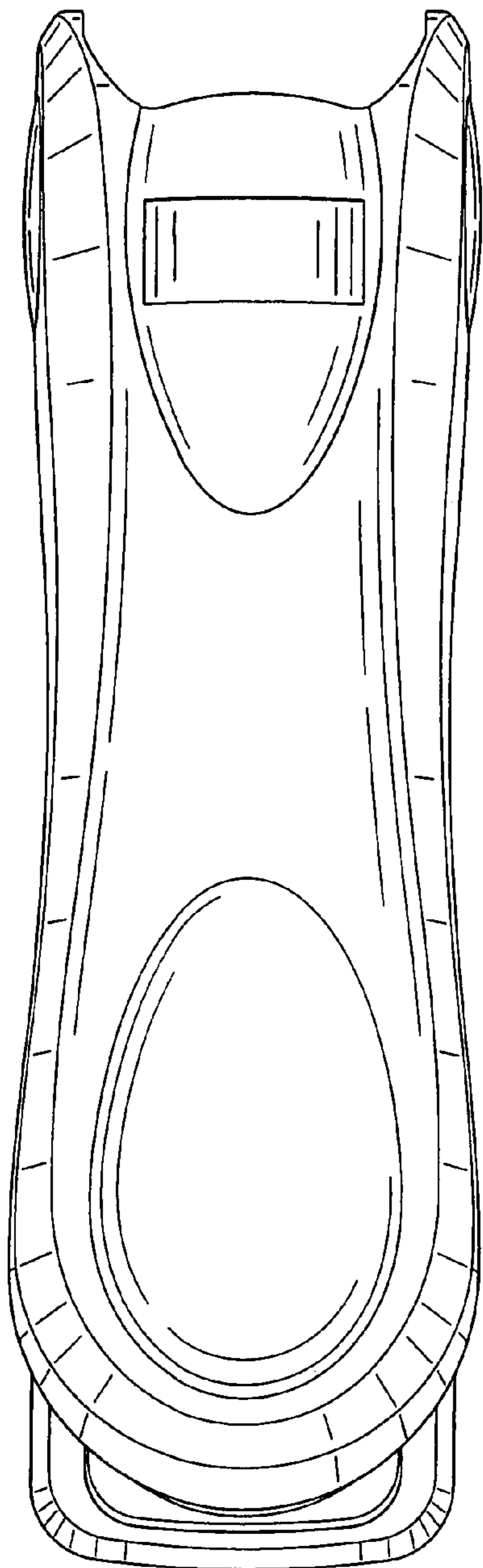


FIG. 6

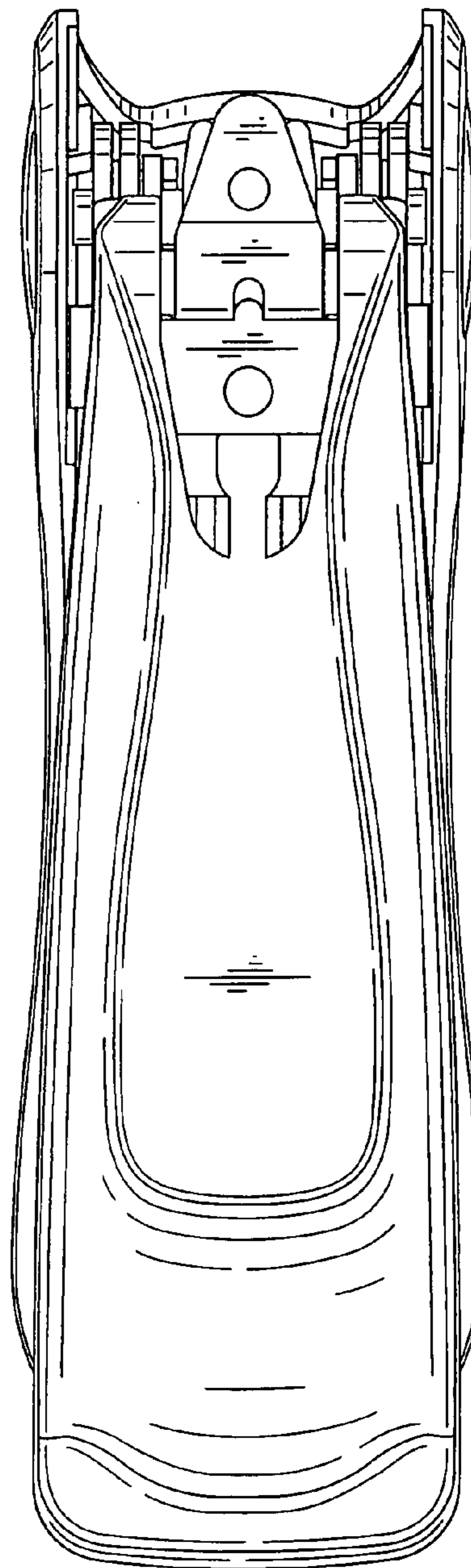


FIG. 7

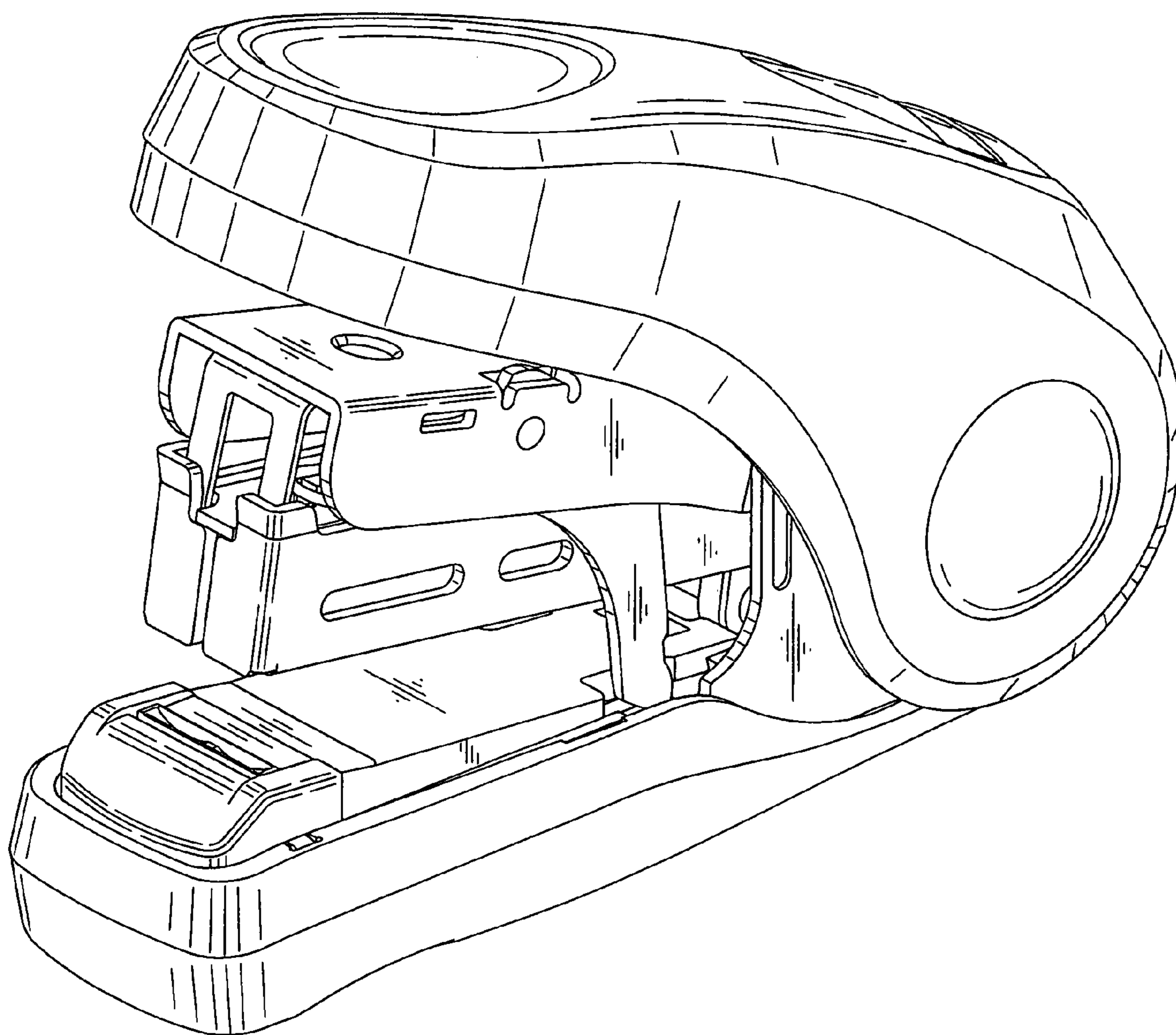


FIG. 8

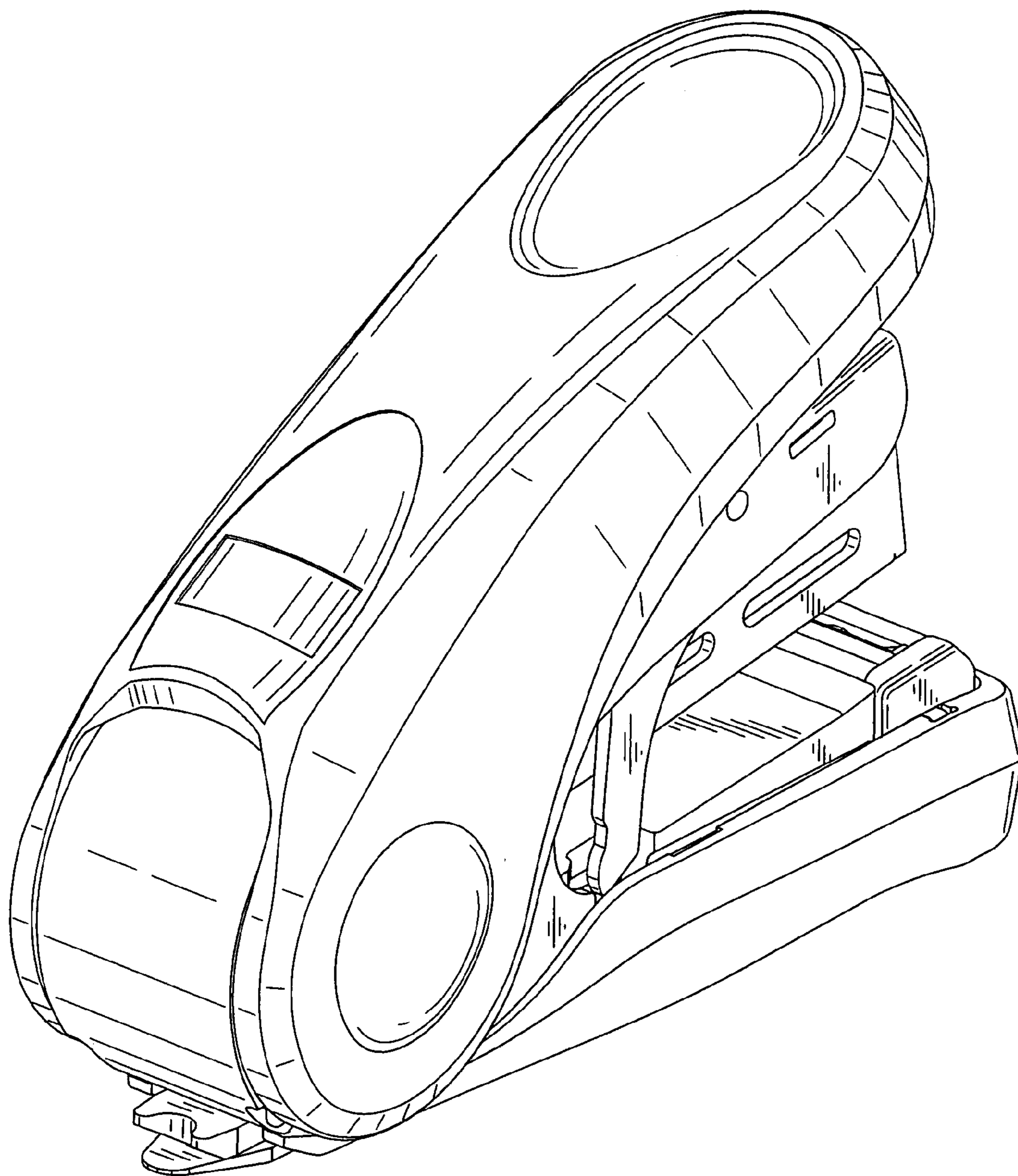


FIG. 9

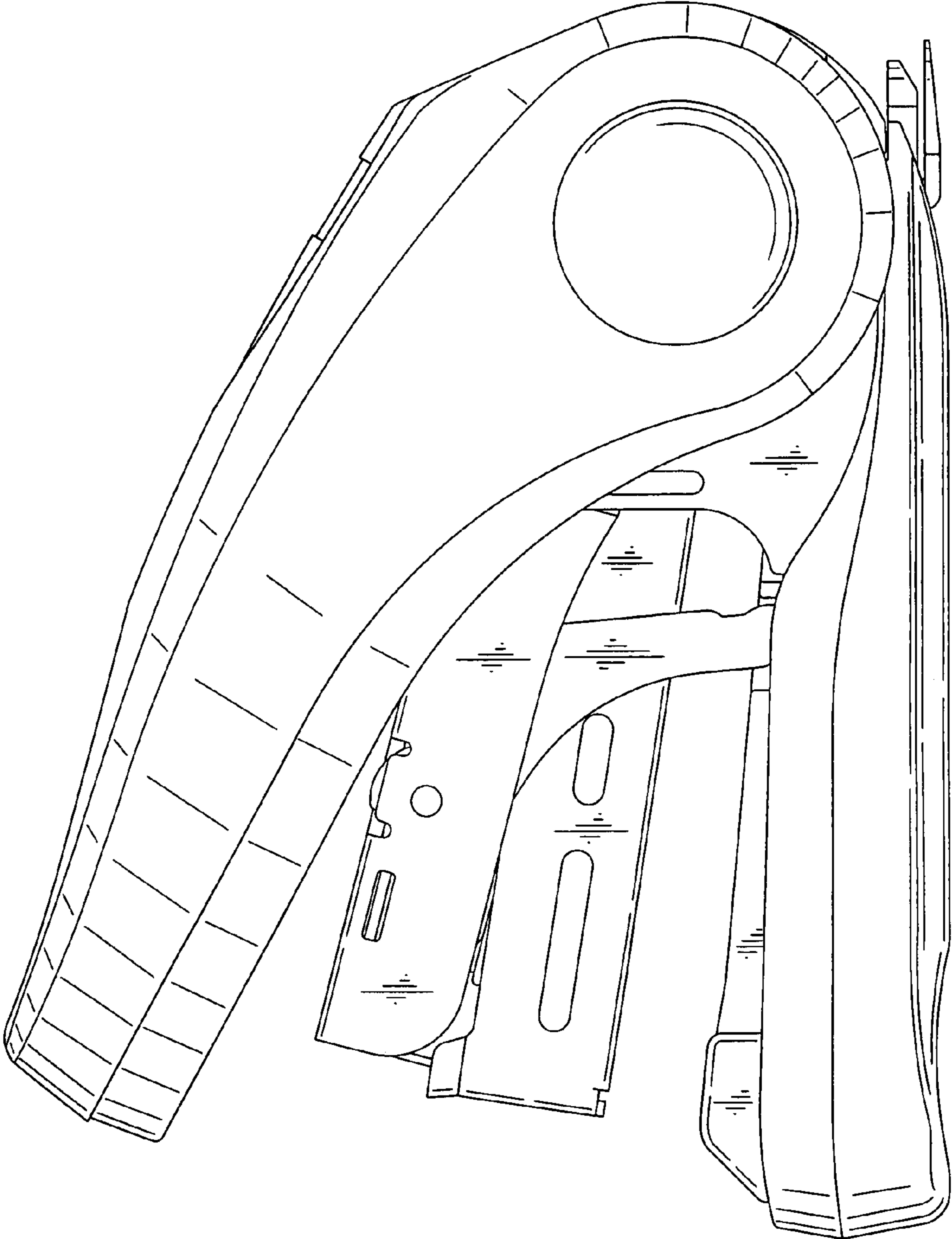


FIG. 10

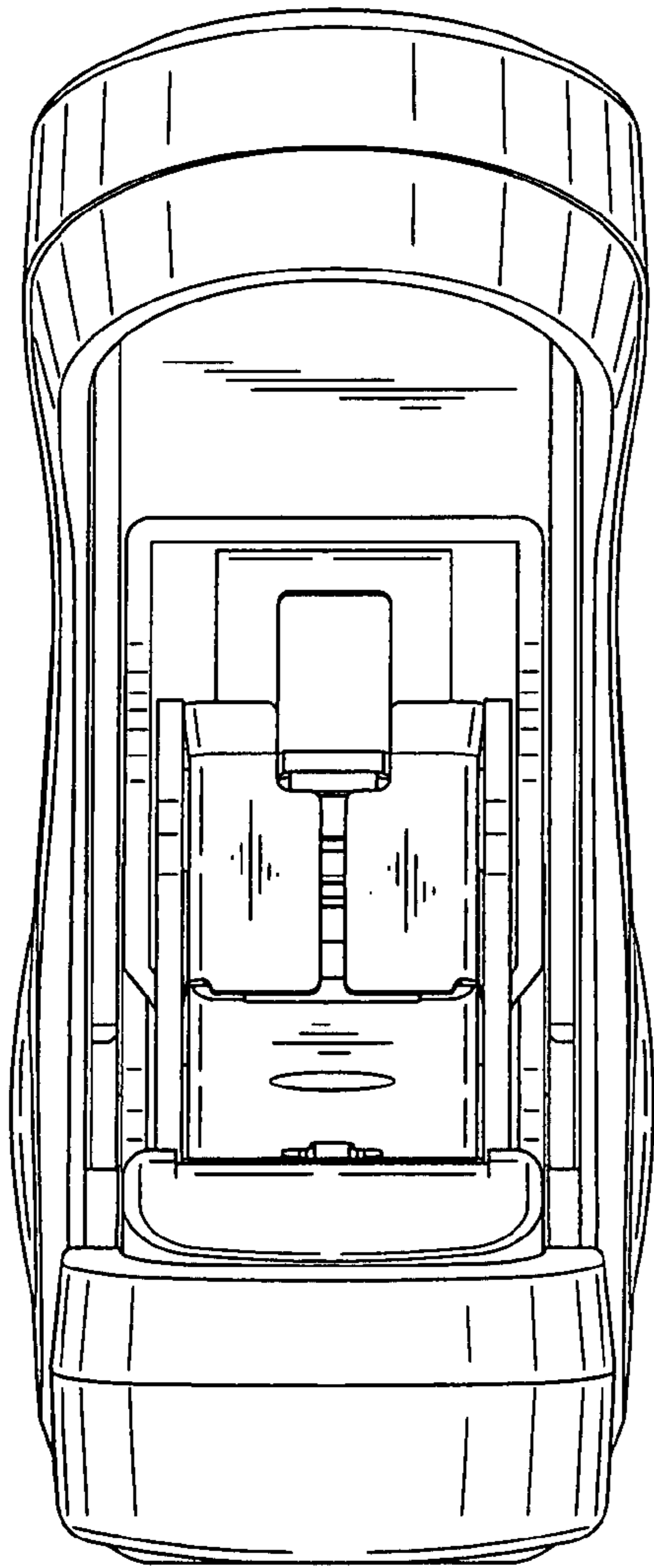


FIG. 11

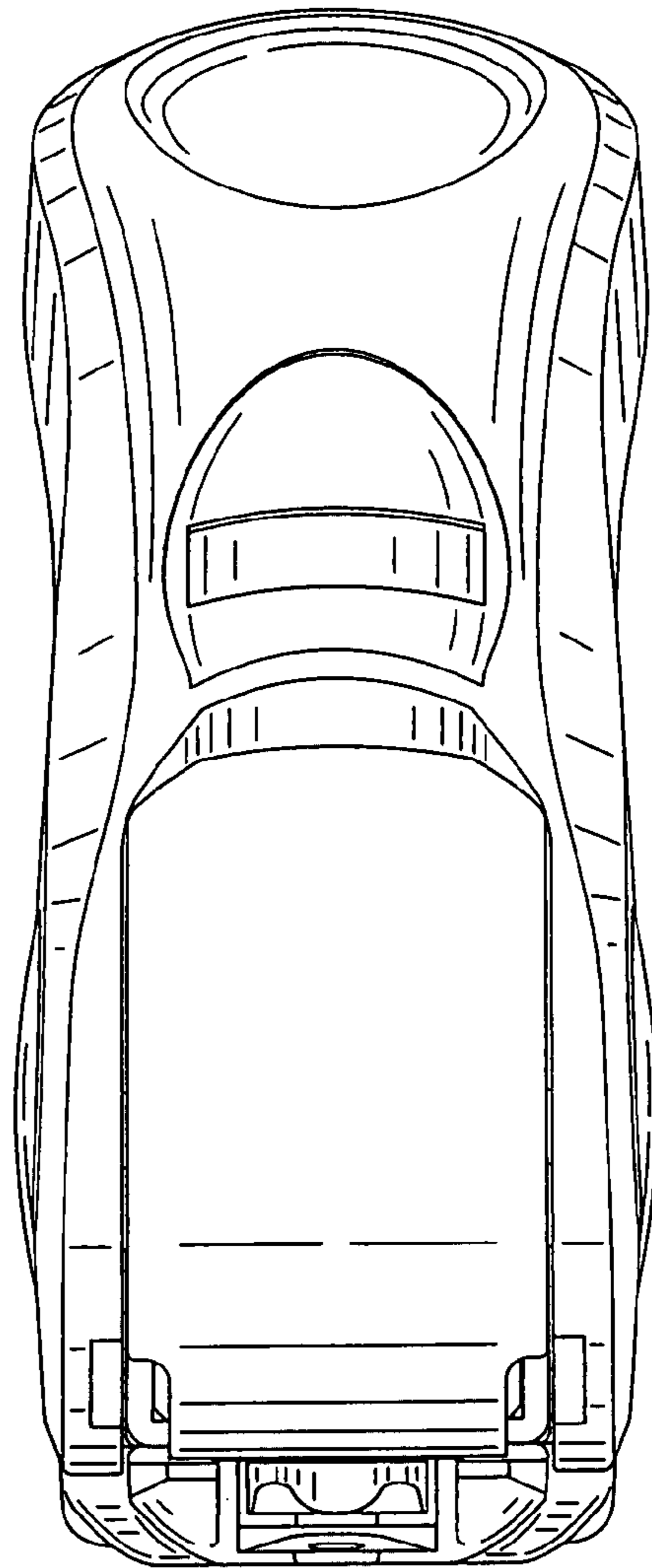


FIG. 12

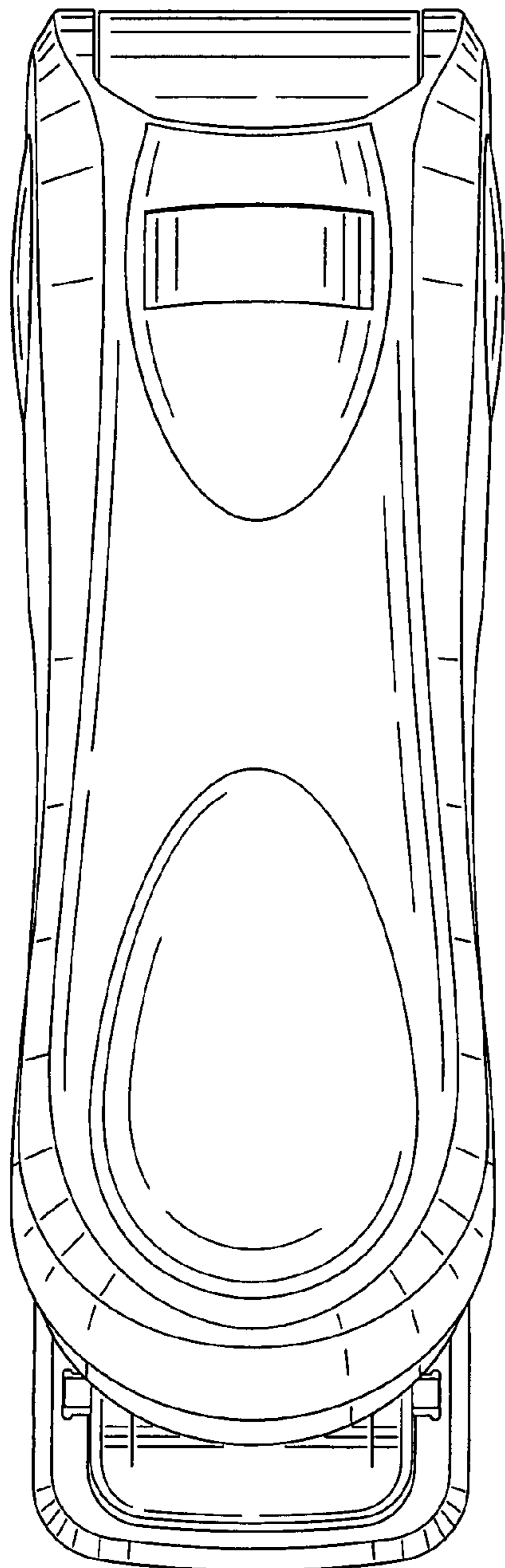


FIG. 13

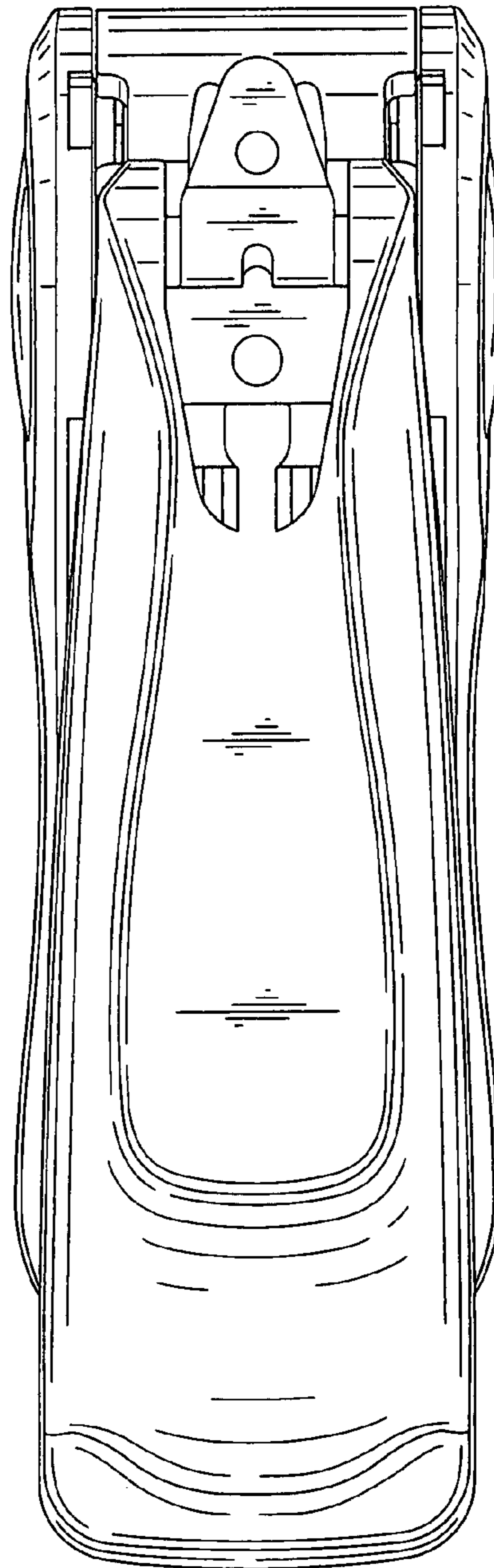


FIG. 14