



US00D579288S

(12) **United States Design Patent**  
**Baker**

(10) **Patent No.:** **US D579,288 S**

(45) **Date of Patent:** **\*\* Oct. 28, 2008**

(54) **TRANSPLANTER**

5,533,768 A 7/1996 Mitchell et al.  
5,669,649 A \* 9/1997 Metcalf ..... 294/57  
D487,010 S 2/2004 Marquardt et al.

(75) Inventor: **Bruce Baker**, Ann Arbor, MI (US)

\* cited by examiner

(73) Assignee: **Radius Garden LLC**, Ann Arbor, MI (US)

*Primary Examiner*—T. Chase Nelson

*Assistant Examiner*—Sheryl Lane

(\*\*) Term: **14 Years**

(74) *Attorney, Agent, or Firm*—Gifford, Krass, Sprinkle, Anderson & Citkowski, PC

(21) Appl. No.: **29/277,927**

(22) Filed: **Mar. 14, 2007**

(57) **CLAIM**

(51) **LOC (8) Cl.** ..... **08-01**

The ornamental design for a transplanter, as shown and described.

(52) **U.S. Cl.** ..... **D8/10**

(58) **Field of Classification Search** ..... D8/10;  
294/49, 53.5, 54.5

See application file for complete search history.

**DESCRIPTION**

(56) **References Cited**

U.S. PATENT DOCUMENTS

1,762,718 A 6/1930 Hervey  
1,908,735 A \* 5/1933 Donaldson ..... 30/315  
2,843,359 A 7/1958 Franz et al.  
3,945,065 A 3/1976 Dushku et al.  
4,786,095 A 11/1988 Dumont et al.  
5,165,144 A 11/1992 Nisenbaum  
D332,555 S \* 1/1993 Hagerman ..... D8/10  
5,520,429 A \* 5/1996 Gregory ..... 294/49

FIG. 1 is an oblique view of the invention;

FIG. 2 is a front view of the invention;

FIG. 3 is a rear view of the invention;

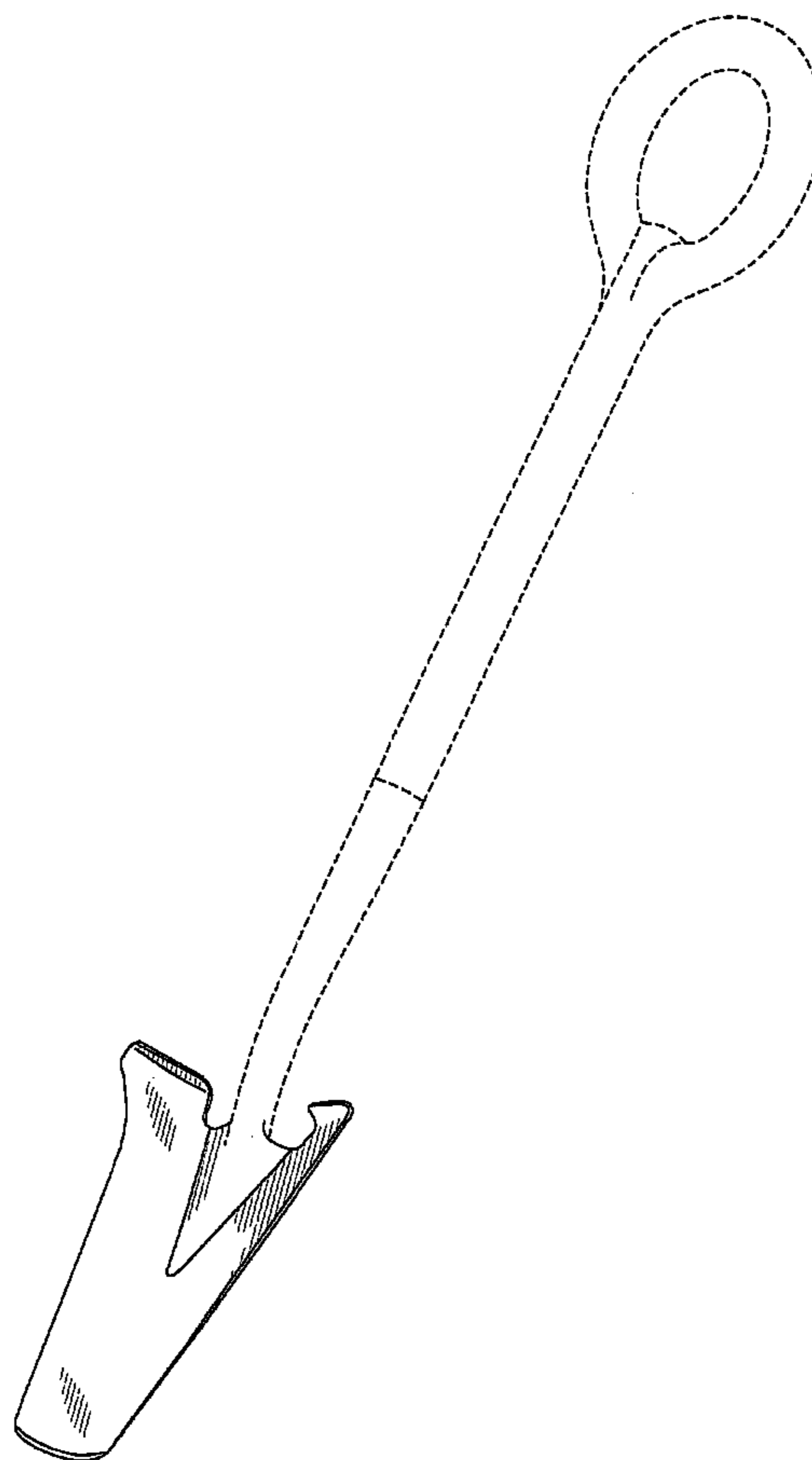
FIG. 4 is a bottom view of the invention;

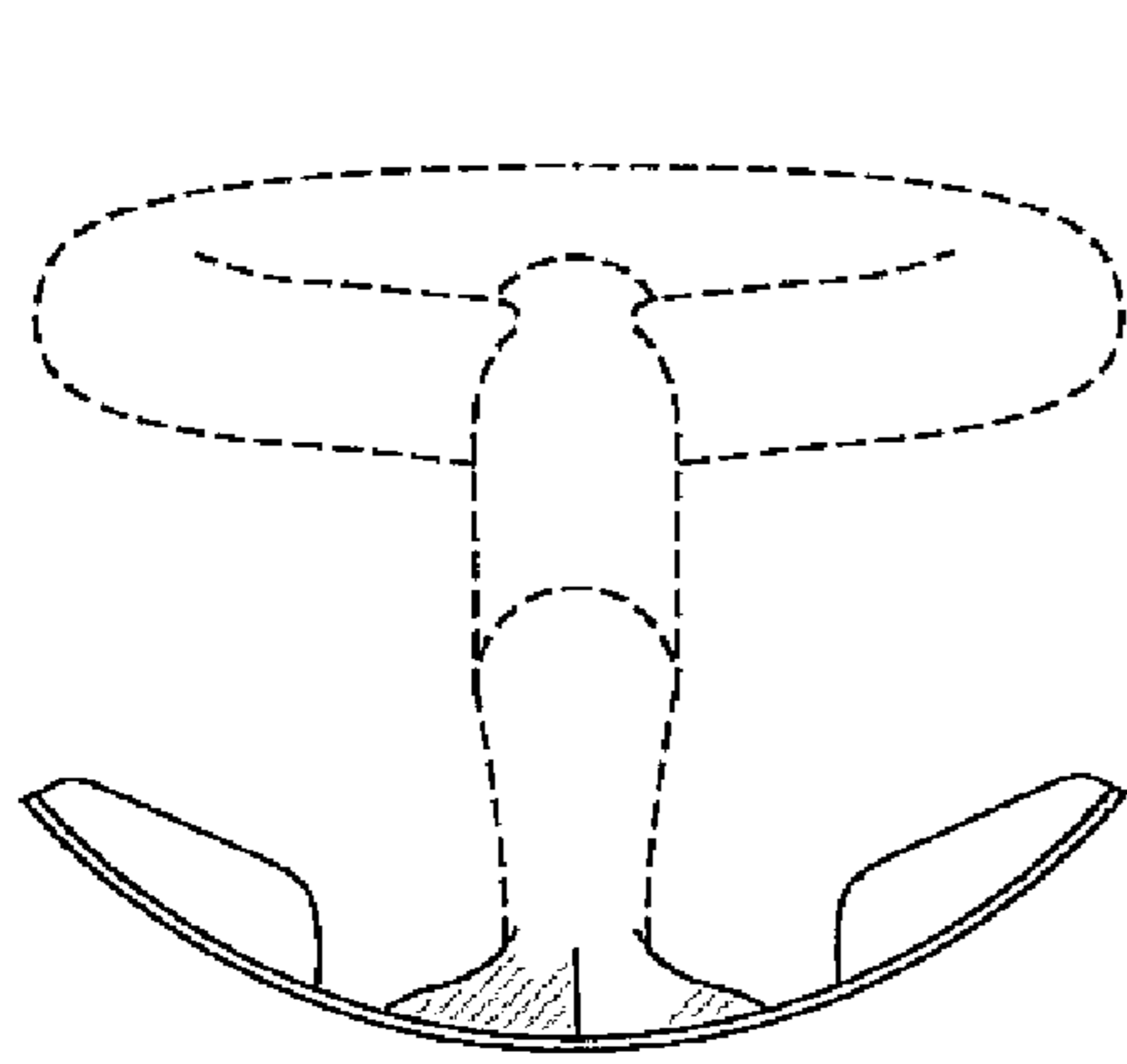
FIG. 5 is a side view of the invention; and,

FIG. 6 is a top view of the invention.

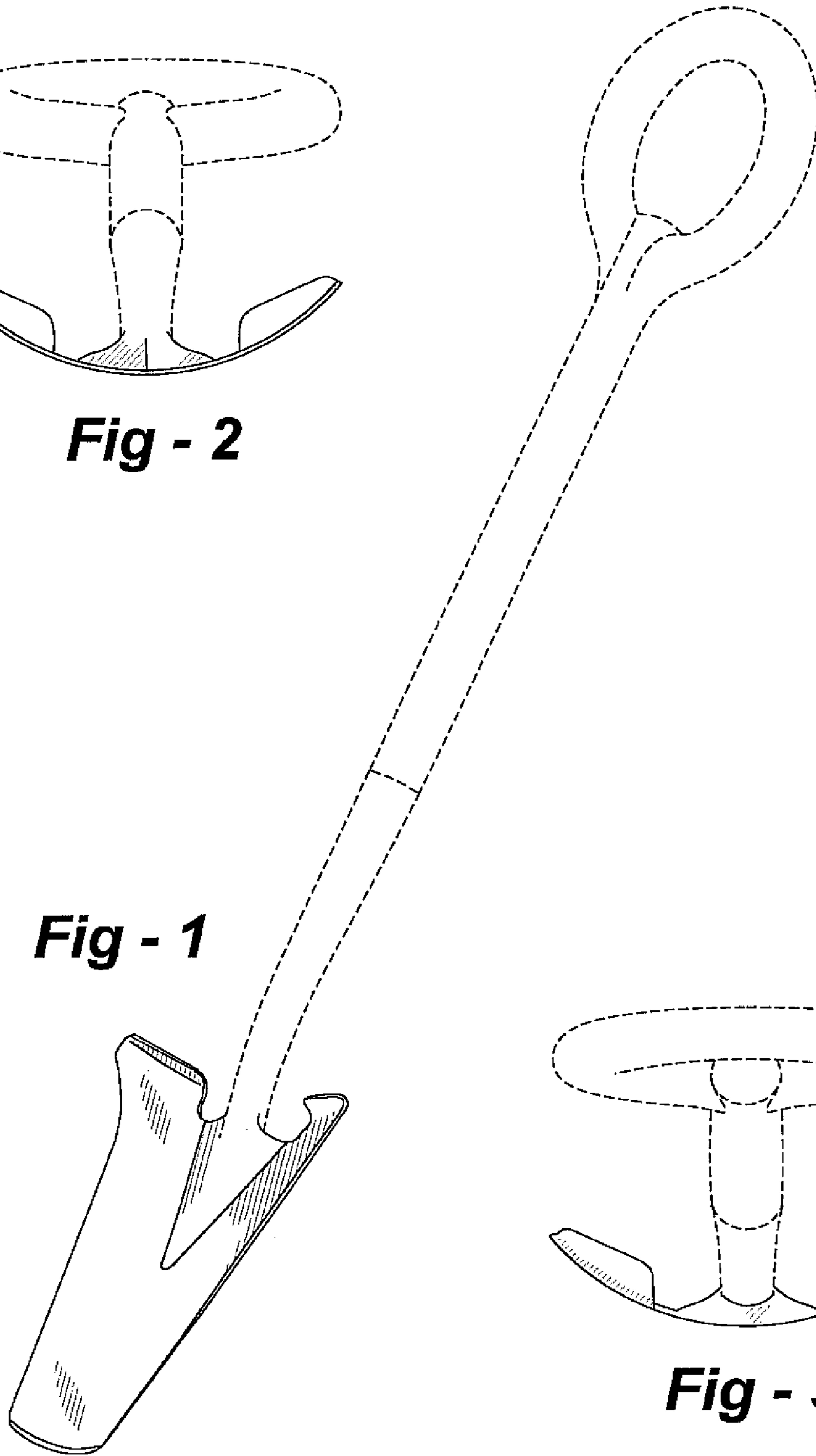
The broken line showing of the transplanter's handle is included for the purpose of illustrating environment and forms no part of the claimed design.

**1 Claim, 2 Drawing Sheets**

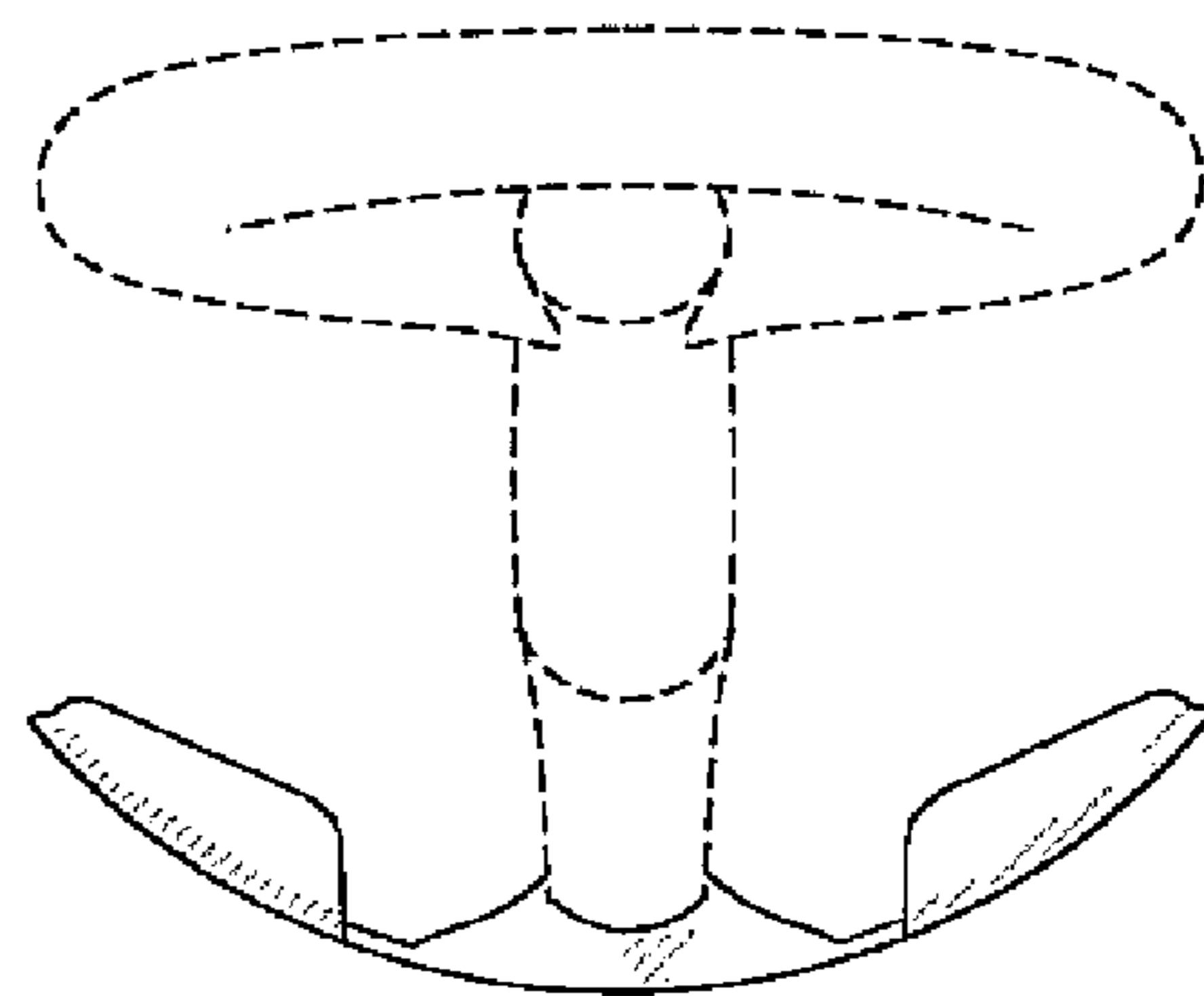




**Fig - 2**



**Fig - 1**



**Fig - 3**

