



US00D579278S

(12) **United States Design Patent**
Umnitz

(10) **Patent No.:** **US D579,278 S**
(45) **Date of Patent:** **** Oct. 28, 2008**

(54) **KNIFE CRADLE**

D481,911 S 11/2003 Yaskus

(76) Inventor: **Jeffery A. Umnitz**, 1653 Wilson Ave.,
Indiana, PA (US) 15701

* cited by examiner

Primary Examiner—Terry A Wallace
(74) *Attorney, Agent, or Firm*—Michael R. Swartz

(**) Term: **14 Years**

(21) Appl. No.: **29/292,795**

(57) **CLAIM**

(22) Filed: **Oct. 29, 2007**

The ornamental design for a knife cradle, as shown and described.

(51) **LOC (8) Cl.** **07-06**

(52) **U.S. Cl.** **D7/637**

(58) **Field of Classification Search** D7/637-641;
211/13.1, 70.6, 70.7; 248/37.3, 37.6, 174,
248/176.1

See application file for complete search history.

DESCRIPTION

FIG. 1 is a perspective view of a knife cradle showing my new design;

FIG. 2 is a top plan view thereof;

FIG. 3 is a left side elevational view thereof, the right side being identical thereto but a reverse image thereof;

FIG. 4 is a rear view thereof;

FIG. 5 is a front view thereof;

FIG. 6 is a bottom plan view thereof;

FIG. 7 is a top plan view identical to FIG. 2 but showing, in dotted-line form, a logo inscribed on the front face of the knife cradle; and,

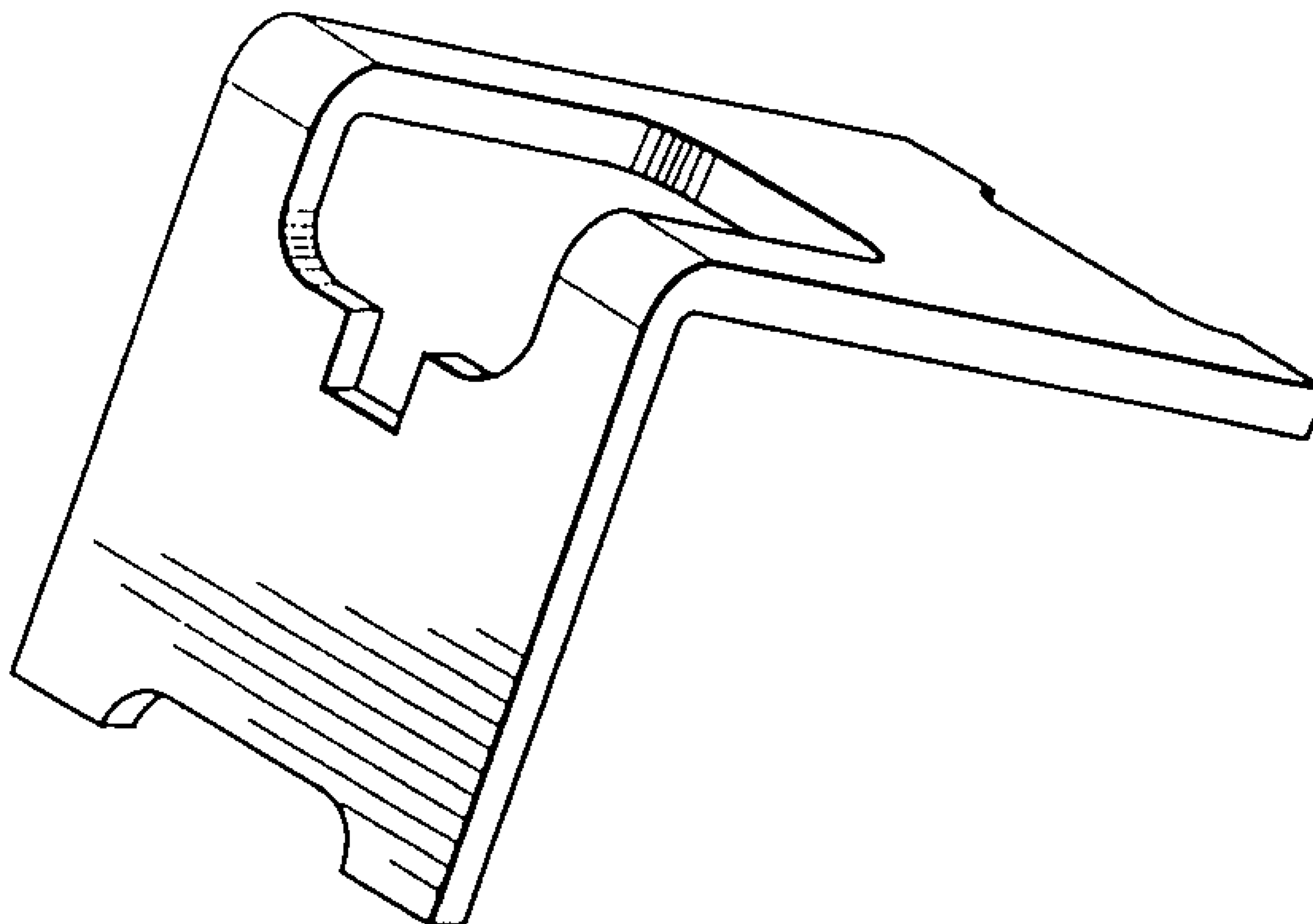
FIG. 8 is a front view identical to FIG. 5 but showing, in dotted-line form, a logo inscribed on the front face of the knife cradle.

(56) **References Cited**

U.S. PATENT DOCUMENTS

124,261 A	3/1872	Fowle	
D23,131 S	3/1894	Cooper	
1,264,914 A	5/1918	Fresh	
D74,265 S	1/1928	Houck	
2,567,817 A	9/1951	Lunde	
2,651,927 A *	9/1953	Mullins	220/890
98,131 A	12/1969	Sherwood	
D244,340 S	5/1977	Ashton	
D292,861 S *	11/1987	Dorper	D7/639
4,940,199 A *	7/1990	Hall	248/37.3
D360,560 S	7/1995	Stroecker	
D426,114 S *	6/2000	Cusick	D7/637

1 Claim, 1 Drawing Sheet



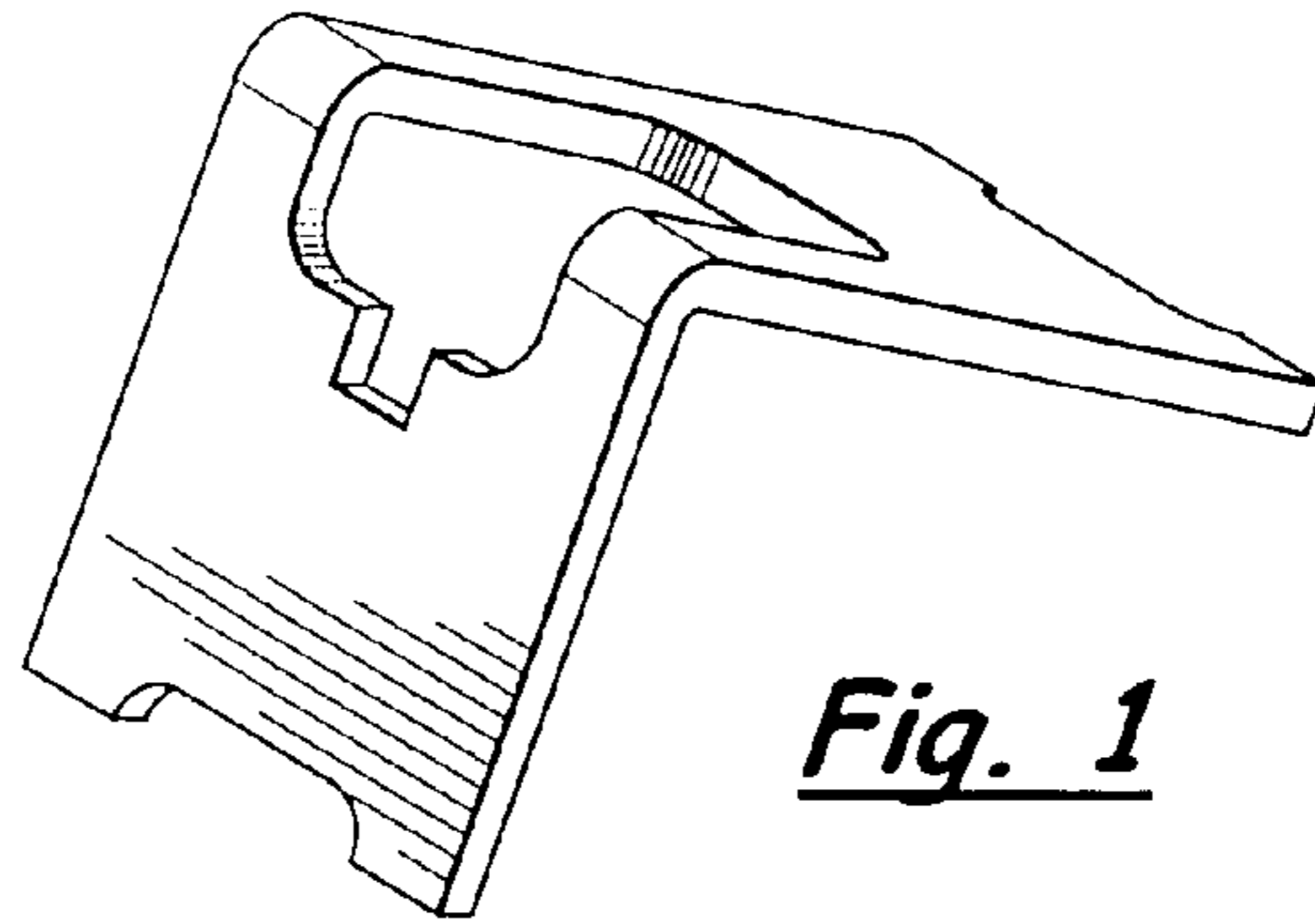


Fig. 1

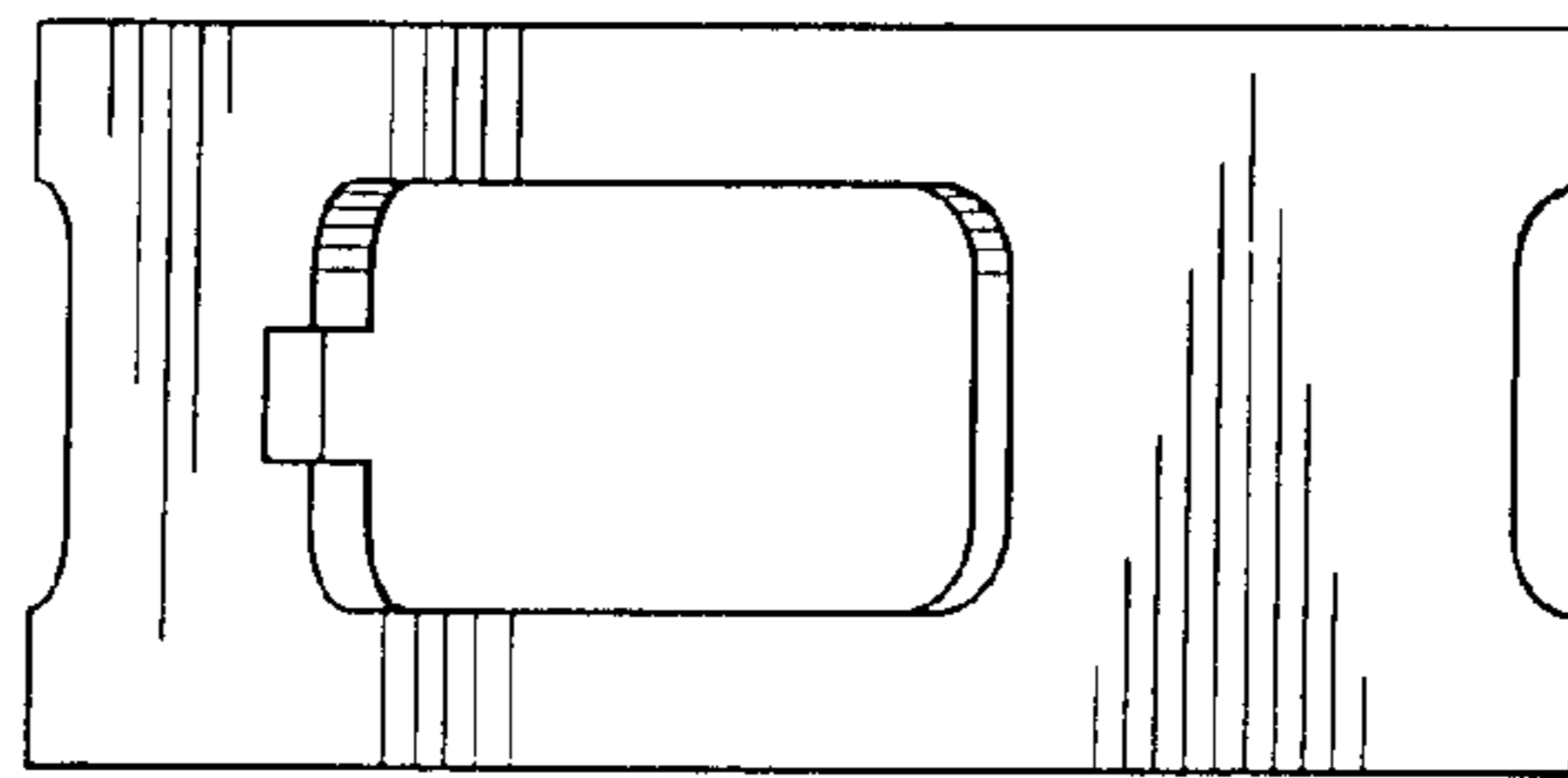


Fig. 2

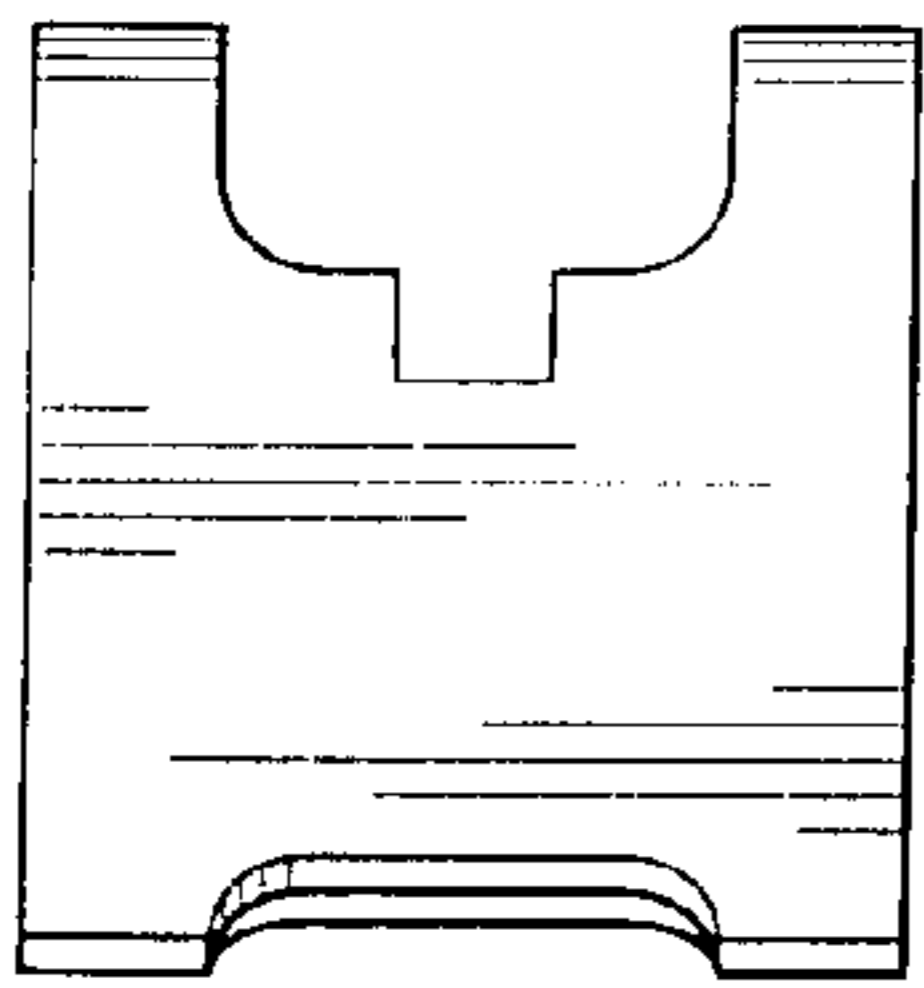


Fig. 4

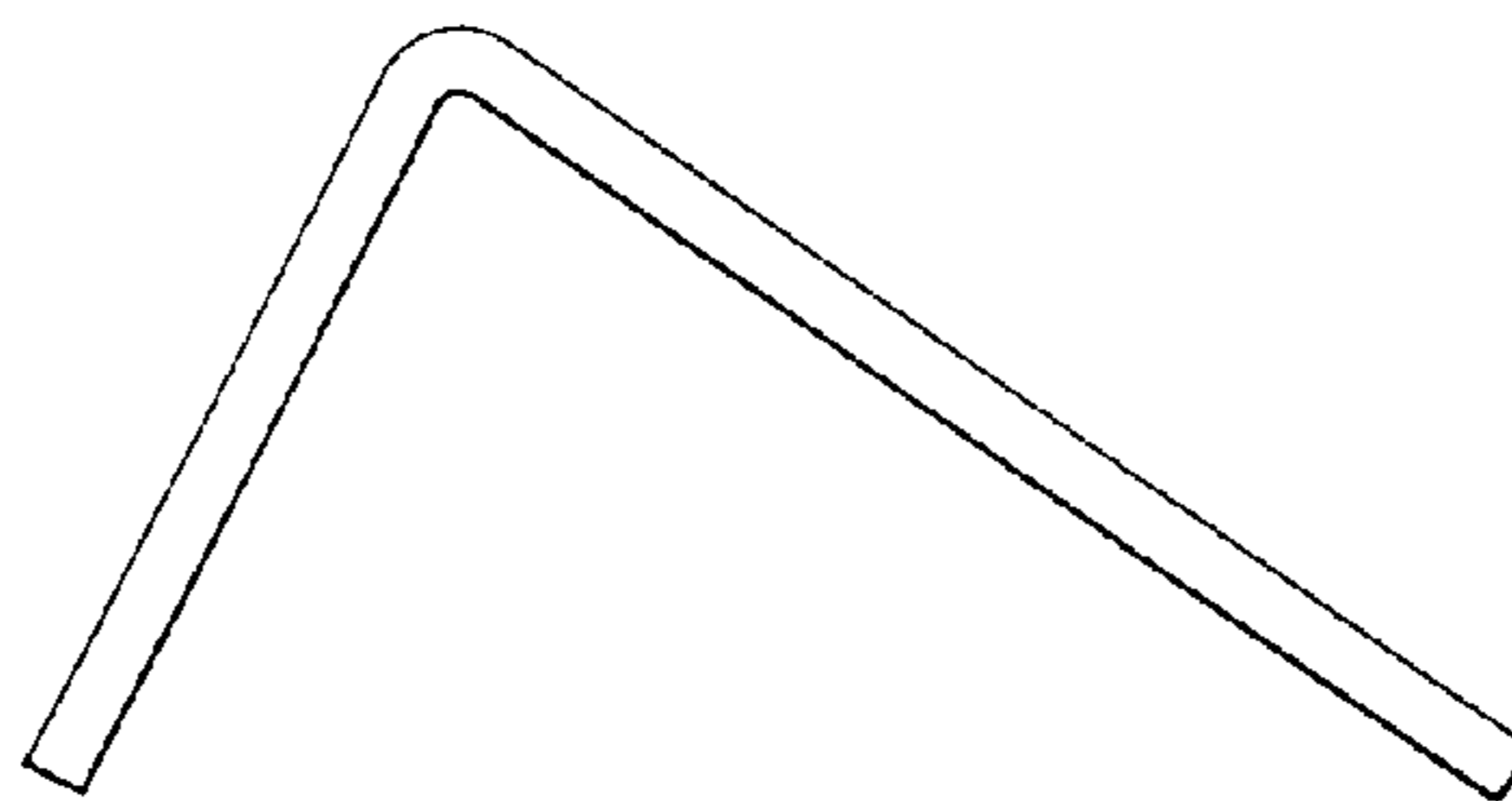


Fig. 3

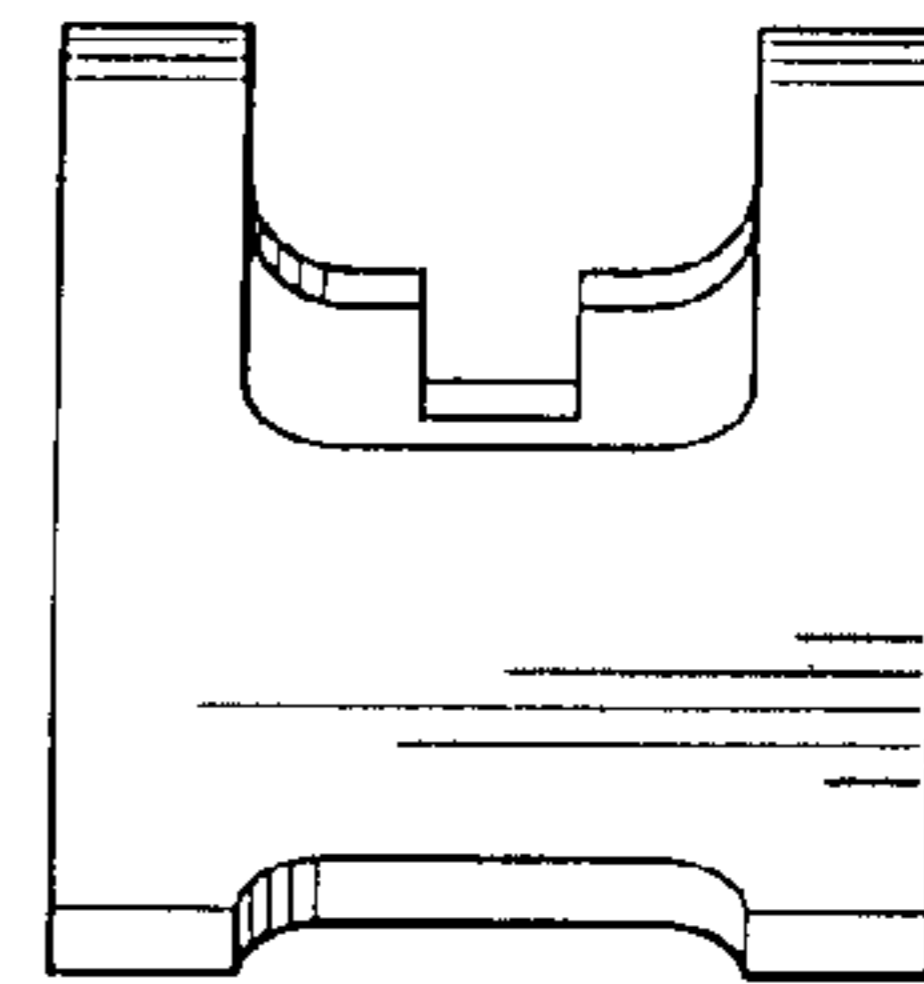


Fig. 5

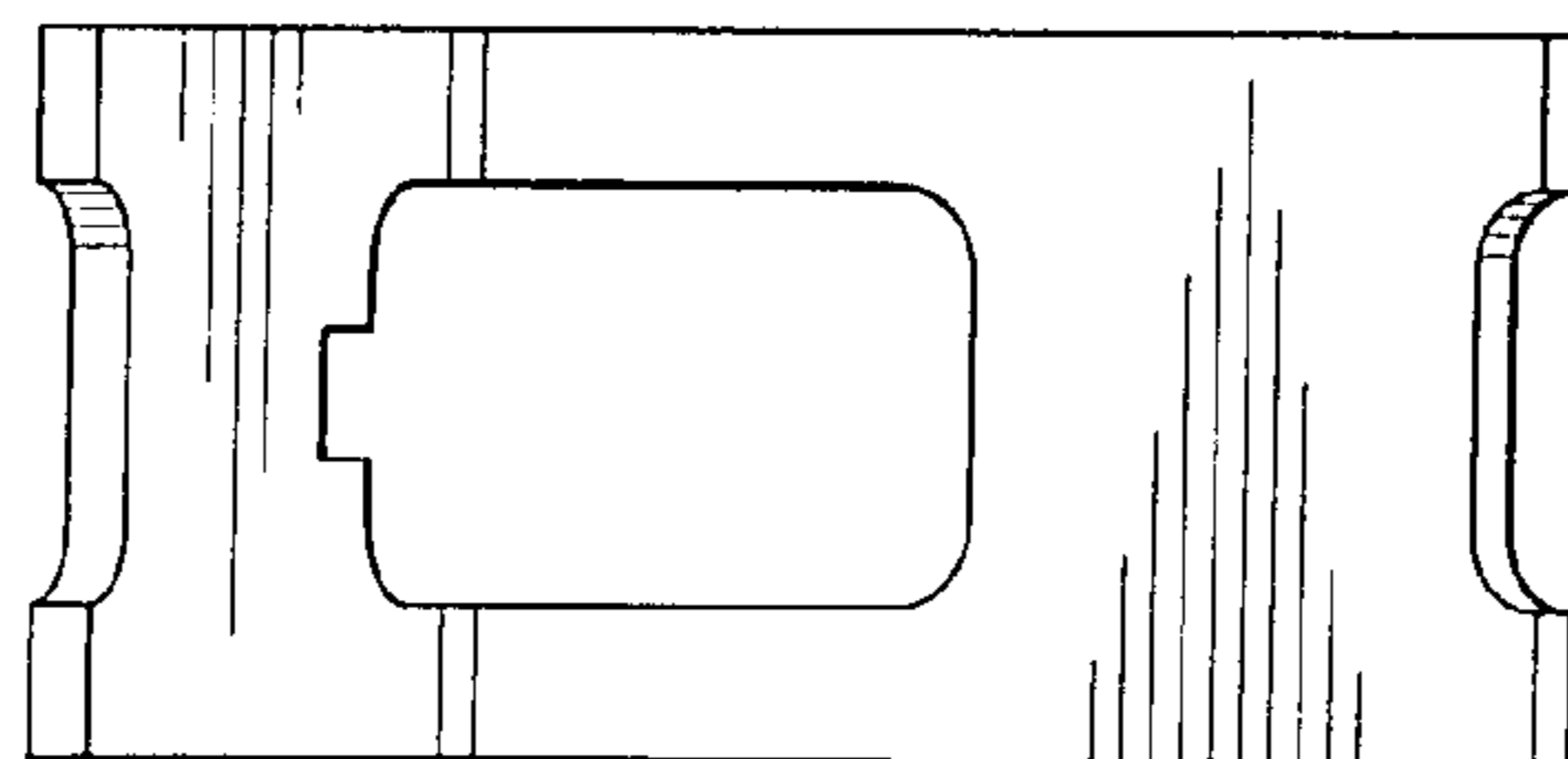


Fig. 6

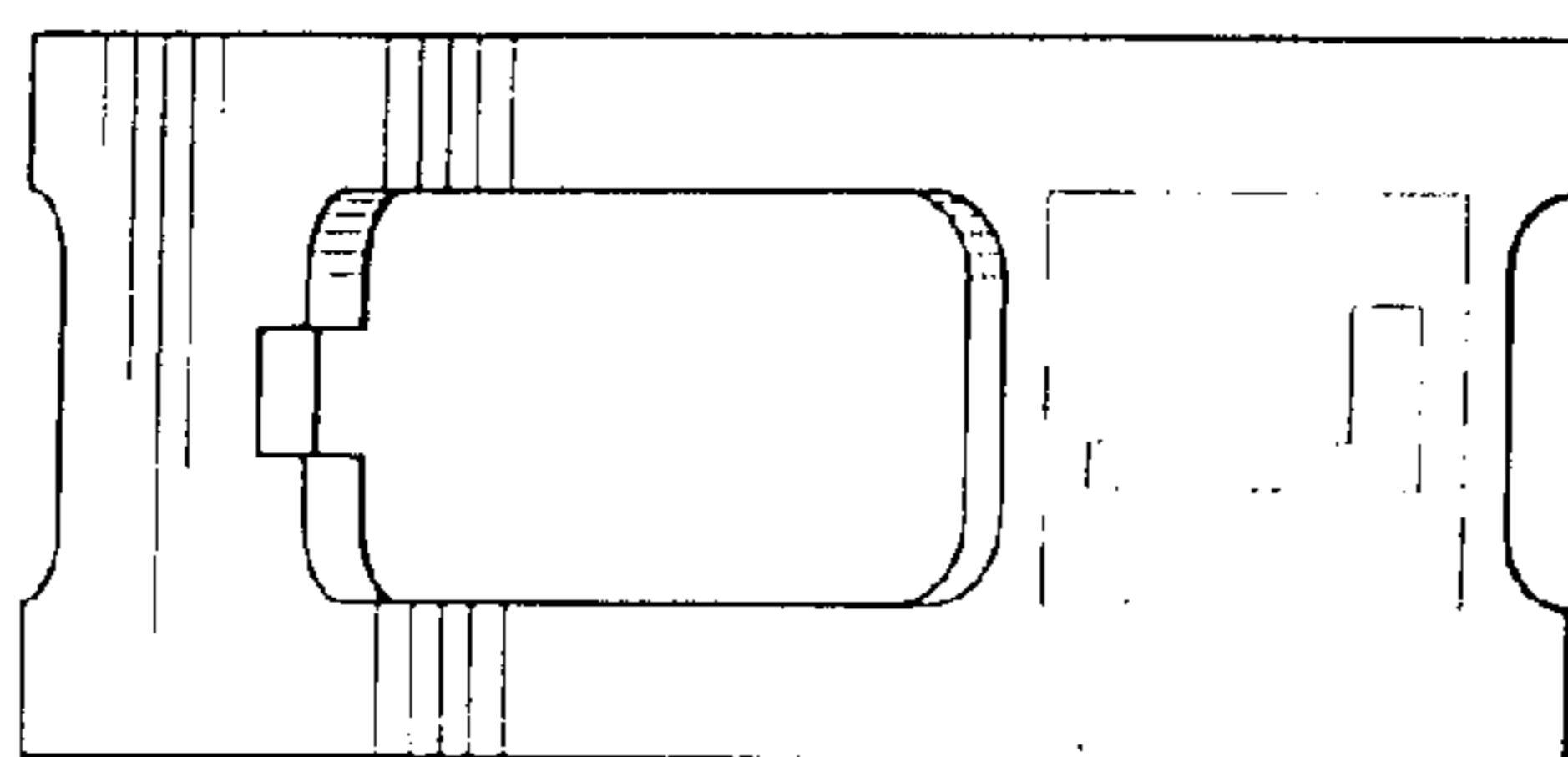


Fig. 7

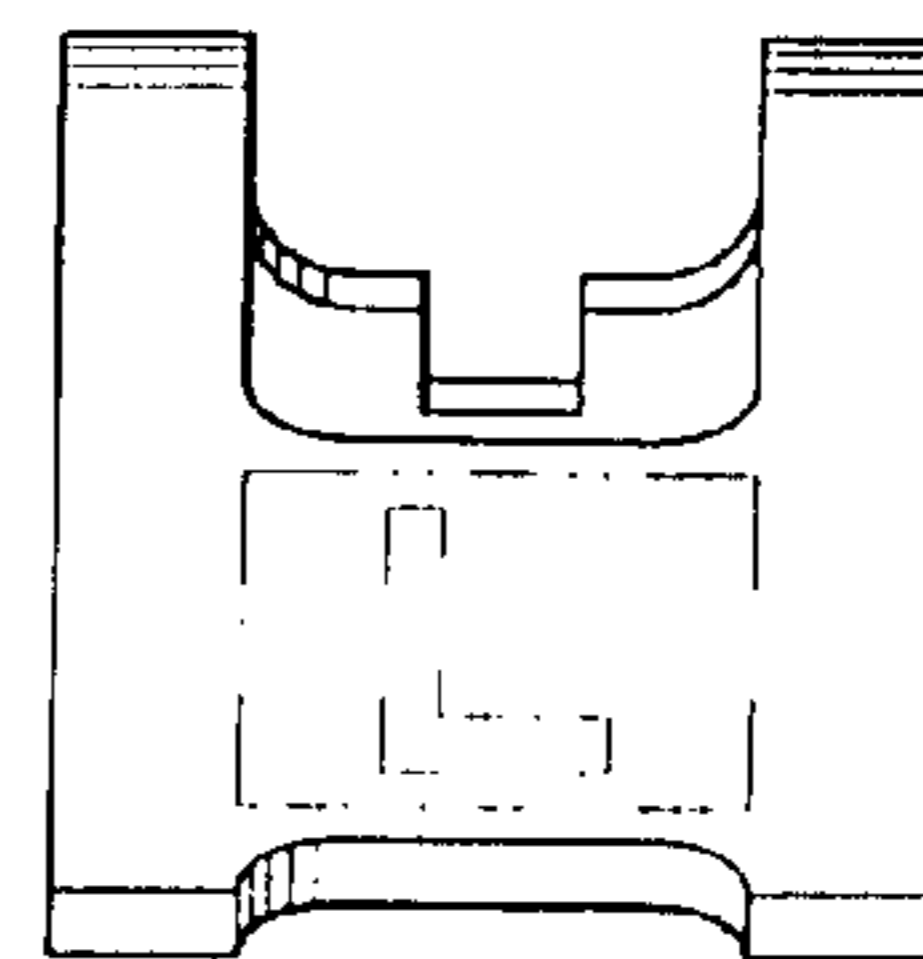


Fig. 8