



US00D579273S

(12) **United States Design Patent**
Tong Chi Chung

(10) **Patent No.:** **US D579,273 S**

(45) **Date of Patent:** **** Oct. 28, 2008**

(54) **CUP WITH LID**

(75) Inventor: **Franco Tong Chi Chung**, Kln (HK)

(73) Assignee: **Headwind Ceramic, Ltd.**, Hong Kong (HK)

(**) Term: **14 Years**

(21) Appl. No.: **29/285,674**

(22) Filed: **Apr. 4, 2007**

(51) **LOC (8) Cl.** **07-01**

(52) **U.S. Cl.** **D7/511; D7/533**

(58) **Field of Classification Search** D7/392.1, D7/500, 509, 510, 511, 523, 529, 533, 536, D7/538, 622; D9/500, 537, 545; 62/457.3; 215/200, 387, DIG. 7; 220/711, 719, 298, 220/592.16, 592.17, 710.5; 229/404, 402
See application file for complete search history.

(56) **References Cited**

U.S. PATENT DOCUMENTS

D120,587 S	5/1940	Hinkins	
D249,111 S *	8/1978	Geyer	D7/523
D299,426 S	1/1989	Andersson et al.	
D357,413 S	4/1995	Kornick et al.	
D357,414 S	4/1995	Kornick et al.	
D383,037 S	9/1997	Asberg	
D398,531 S	9/1998	De Vries	
D408,221 S *	4/1999	Asberg	D7/511
D425,758 S *	5/2000	Freed	D7/533
D436,296 S *	1/2001	Freed	D7/523
D478,669 S *	8/2003	Wear	D24/197
D480,267 S *	10/2003	Freed et al.	D7/510
D483,611 S	12/2003	Diak Ghanem	

D488,348 S	4/2004	Liu	
D502,844 S *	3/2005	Rohe	D7/510
D506,641 S	6/2005	Liu	
D508,594 S	8/2005	Snell	
D511,072 S *	11/2005	Trombly	D7/533
D512,917 S	12/2005	Frisch et al.	
D513,590 S *	1/2006	Westphal	D9/504
D530,154 S *	10/2006	Zerillo et al.	D7/533
D531,452 S	11/2006	Toth	
D531,903 S *	11/2006	Haubein	D9/500
D535,151 S	1/2007	Seum et al.	
D536,220 S *	2/2007	Sandberg	D7/608
D554,433 S *	11/2007	Gluck	D7/523
D562,076 S *	2/2008	Sandberg	D7/533

* cited by examiner

Primary Examiner—Philip Hyder

Assistant Examiner—Cynthia Underwood

(74) *Attorney, Agent, or Firm*—Holland & Hart LLP

(57) **CLAIM**

The ornamental design for a cup with lid, as shown.

DESCRIPTION

FIG. 1 is a front elevational view of a cup with lid, showing my design;

FIG. 2 is a left side elevational view thereof;

FIG. 3 is a right side elevational view thereof;

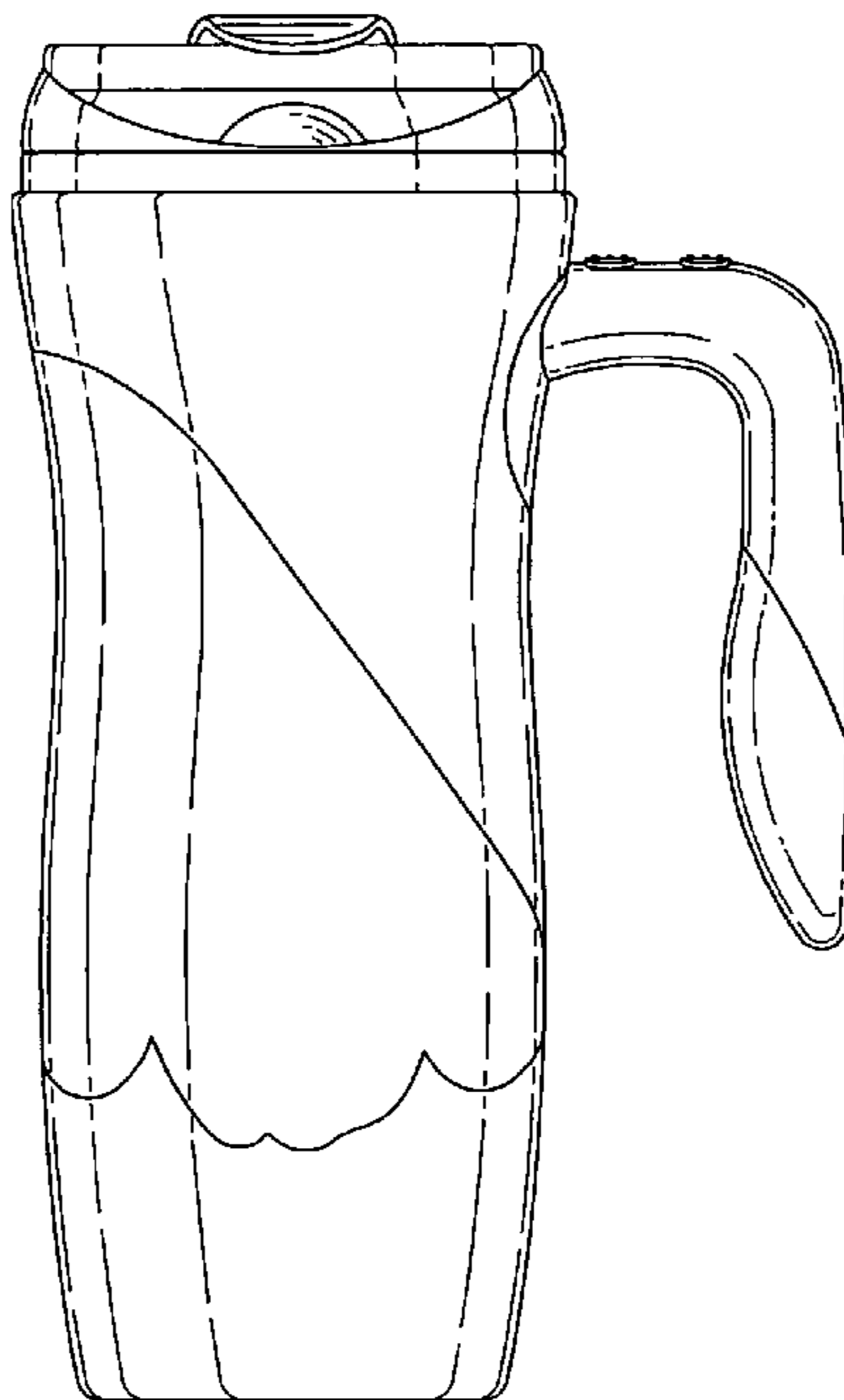
FIG. 4 is a rear elevational view thereof;

FIG. 5 is a bottom plan view thereof; and,

FIG. 6 is a top plan view thereof.

The broken lines are for illustrative purposes only and form no part of the claimed design.

1 Claim, 3 Drawing Sheets



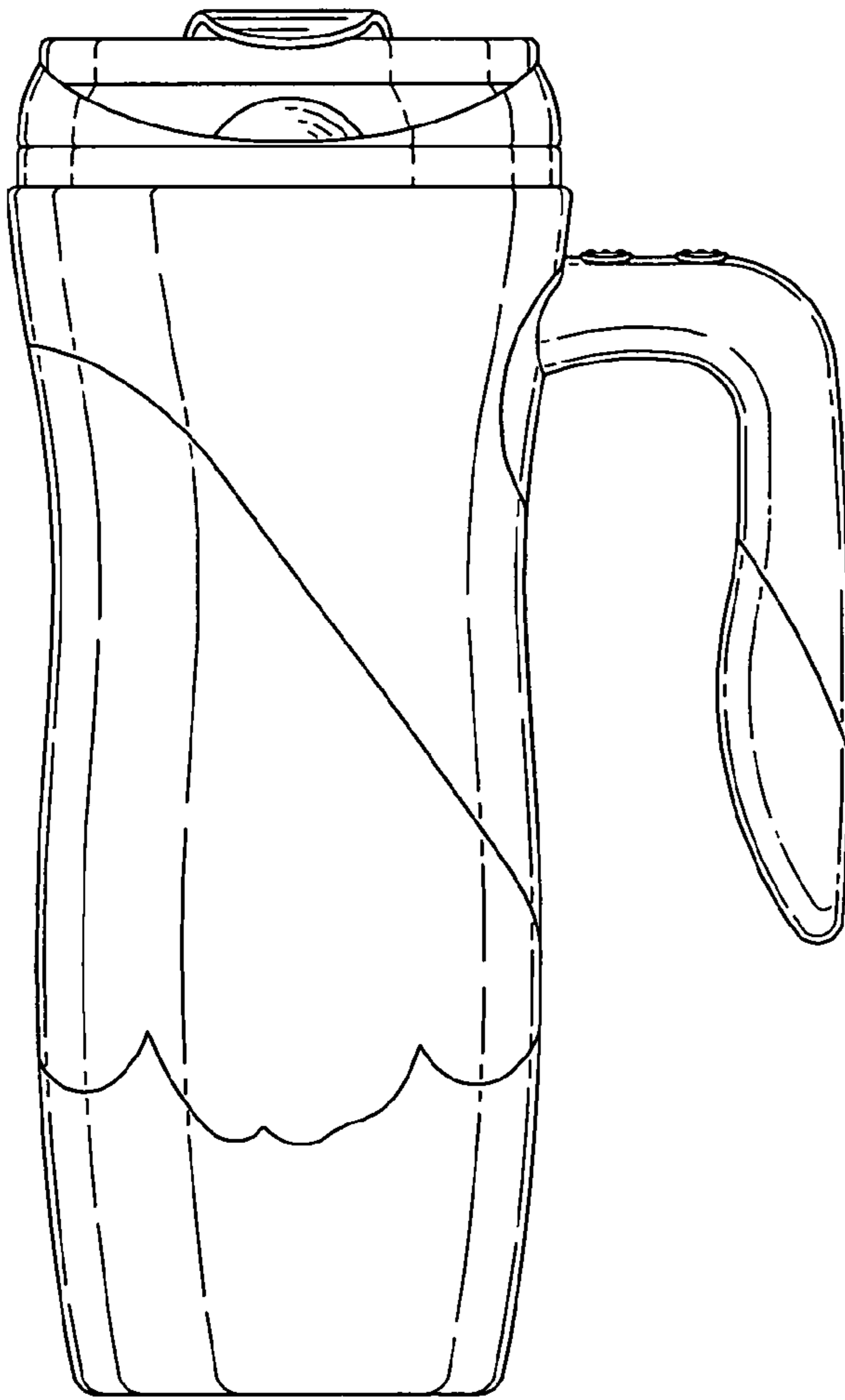


FIG. 1

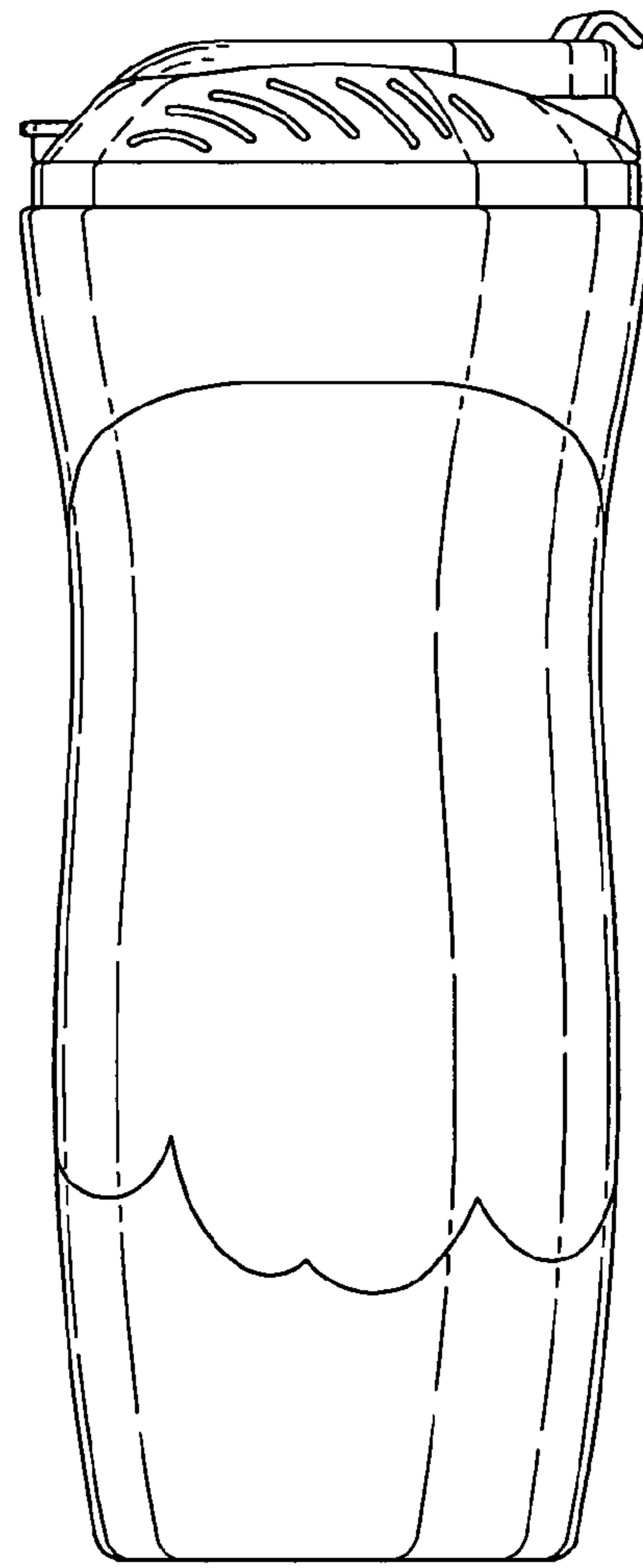


FIG. 2

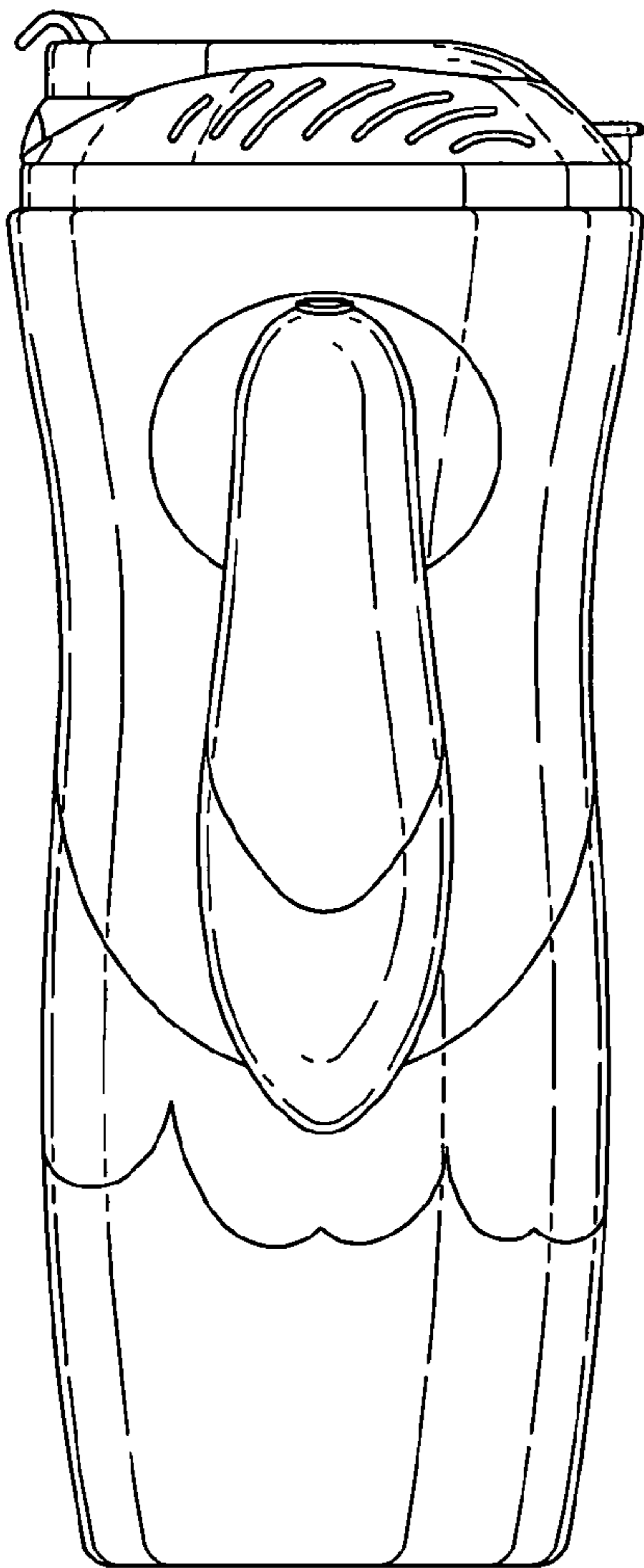


FIG. 3

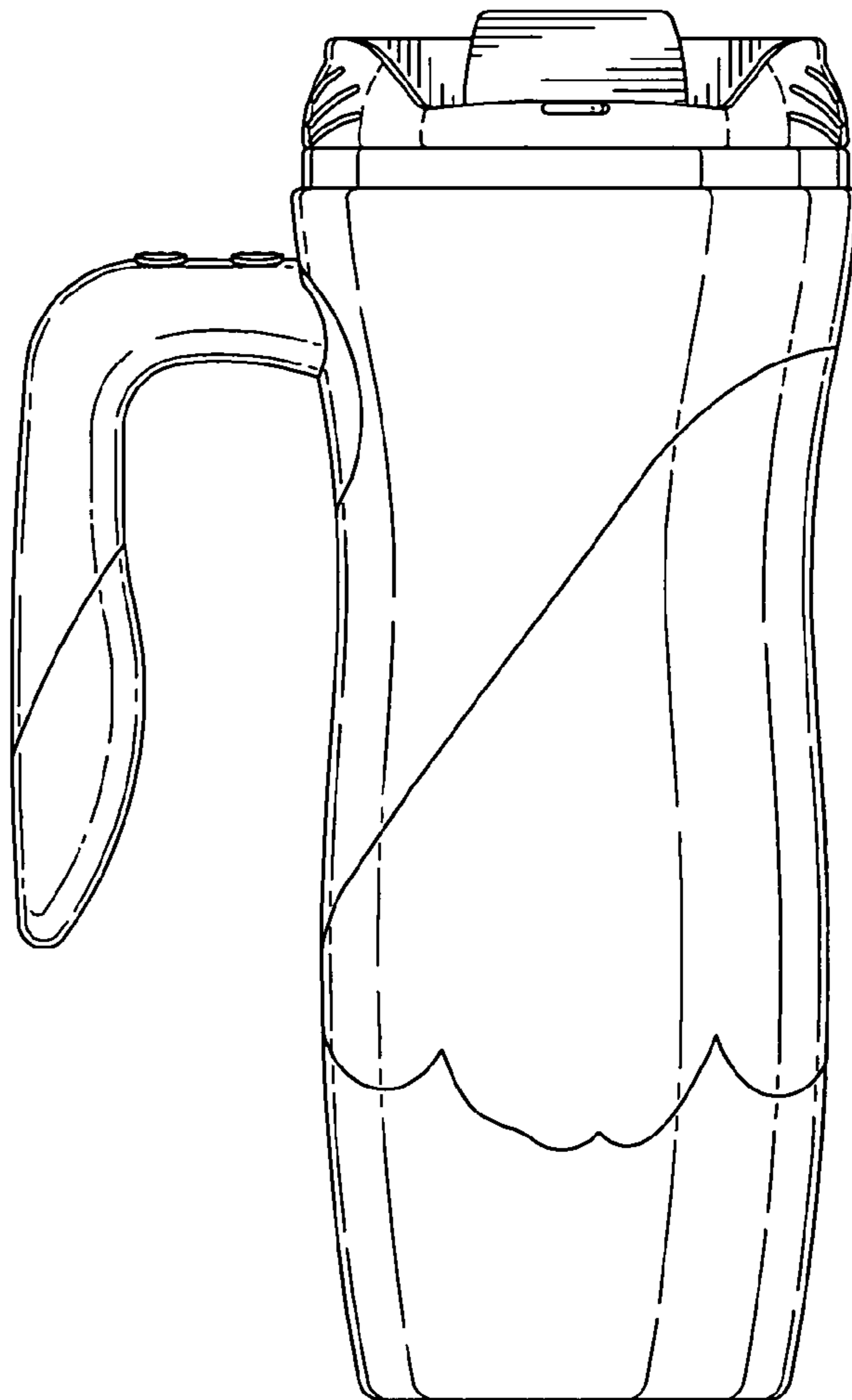


FIG. 4

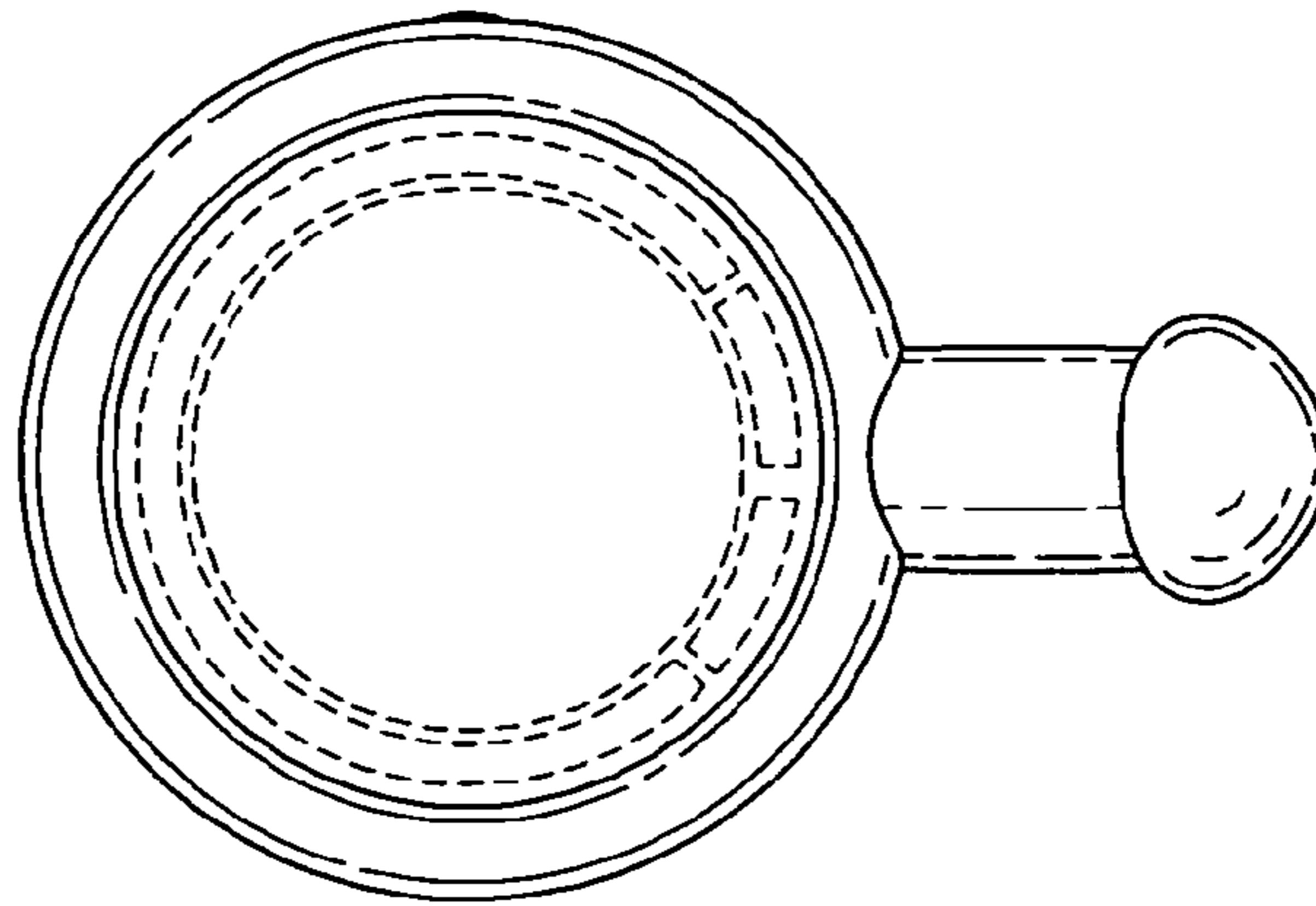


FIG. 5

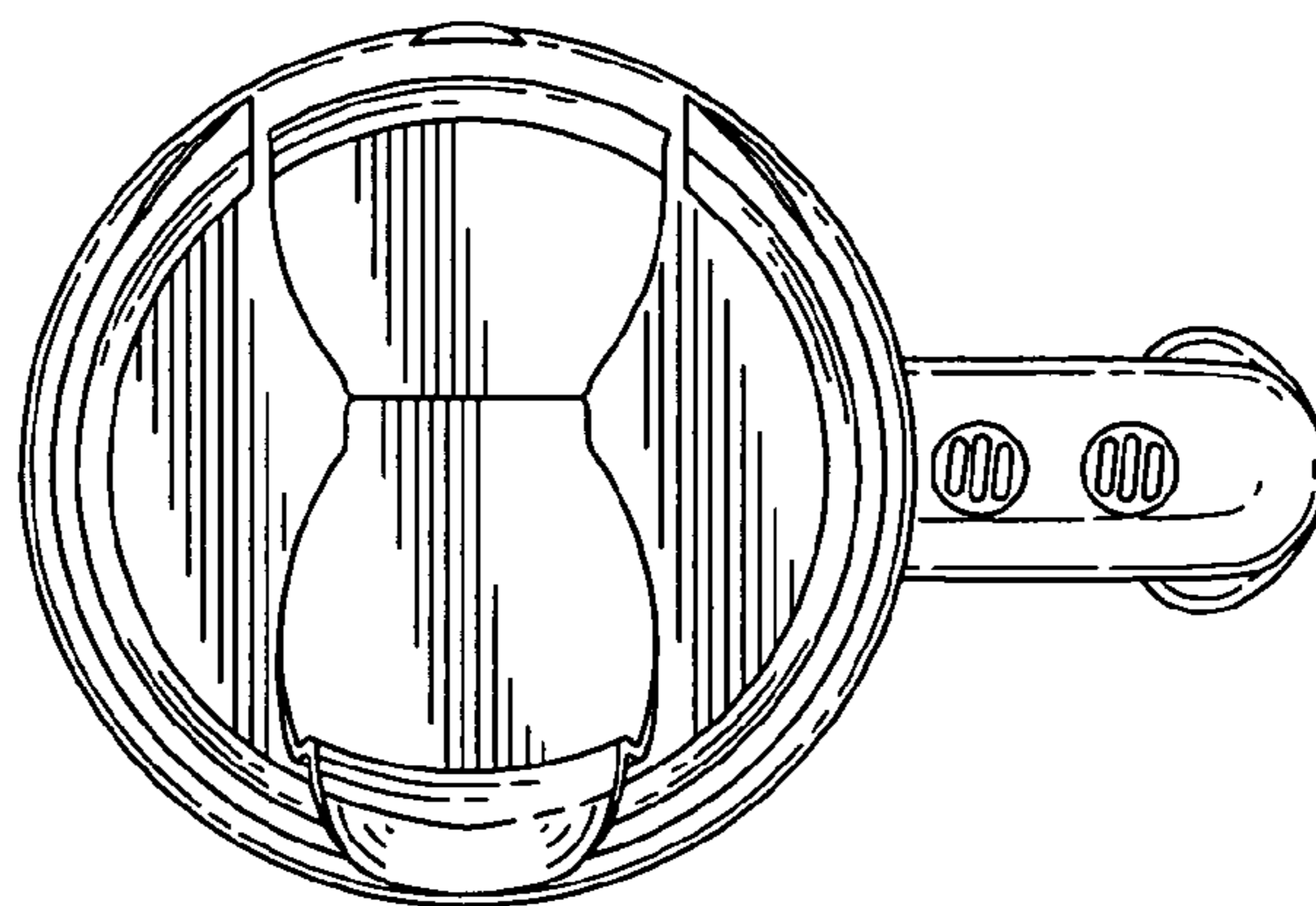


FIG. 6