



US00D579271S

(12) **United States Design Patent**
Ferraby

(10) **Patent No.:** **US D579,271 S**
(45) **Date of Patent:** **** Oct. 28, 2008**

(54) **STAND FOR KITCHEN APPLIANCE**

(75) Inventor: **Robin Ferraby**, Hampshire (GB)

(73) Assignee: **Kenwood Limited**, Hampshire (GB)

(**) Term: **14 Years**

(21) Appl. No.: **29/304,957**

(22) Filed: **Mar. 11, 2008**

(30) **Foreign Application Priority Data**

Nov. 30, 2007 (EM) 000788641-0002

(51) **LOC (8) Cl.** **31-00**

(52) **U.S. Cl.** **D7/412**

(58) **Field of Classification Search** D7/376-386,
D7/412-414, 665; 99/509-511; 241/30-37.5,
241/101.01-101.2, 166-169.1, 199.12, 274-278.2,
241/285.1-285.3, 291, 292.1; 248/309.2;
366/64-67, 98, 139, 197-211, 241-254,
366/279-292, 341-343

See application file for complete search history.

(56) **References Cited**

U.S. PATENT DOCUMENTS

D278,506 S * 4/1985 Kafka D7/376
5,586,821 A * 12/1996 Bonitati et al. 366/139
D390,415 S * 2/1998 Hippen et al. D7/412
D391,116 S * 2/1998 Hippen et al. D7/412
5,979,850 A * 11/1999 Hippen et al. 248/309.2
D462,569 S * 9/2002 Chin D7/376
D536,570 S * 2/2007 Lo D7/379

* cited by examiner

Primary Examiner—Caron D. Veynar
Assistant Examiner—Ricky Pham

(74) *Attorney, Agent, or Firm*—Martin Fleit; Paul D. Bianco; Fleit Gibbons Gutman Bongini & Bianco PL

(57) **CLAIM**

The ornamental design for a stand for kitchen appliance, as shown and described.

DESCRIPTION

FIG. 1 is a plan view from above of a stand for kitchen appliance of the subject invention;

FIG. 2 is a plan view from above of stand with kitchen appliance in place, the broken line showing of the kitchen appliance is for illustrative purposes only and forms no part of the claimed design;

FIG. 3 is a front view of stand with kitchen appliance in place, the broken line showing of the kitchen appliance is for illustrative purposes only and forms no part of the claimed design;

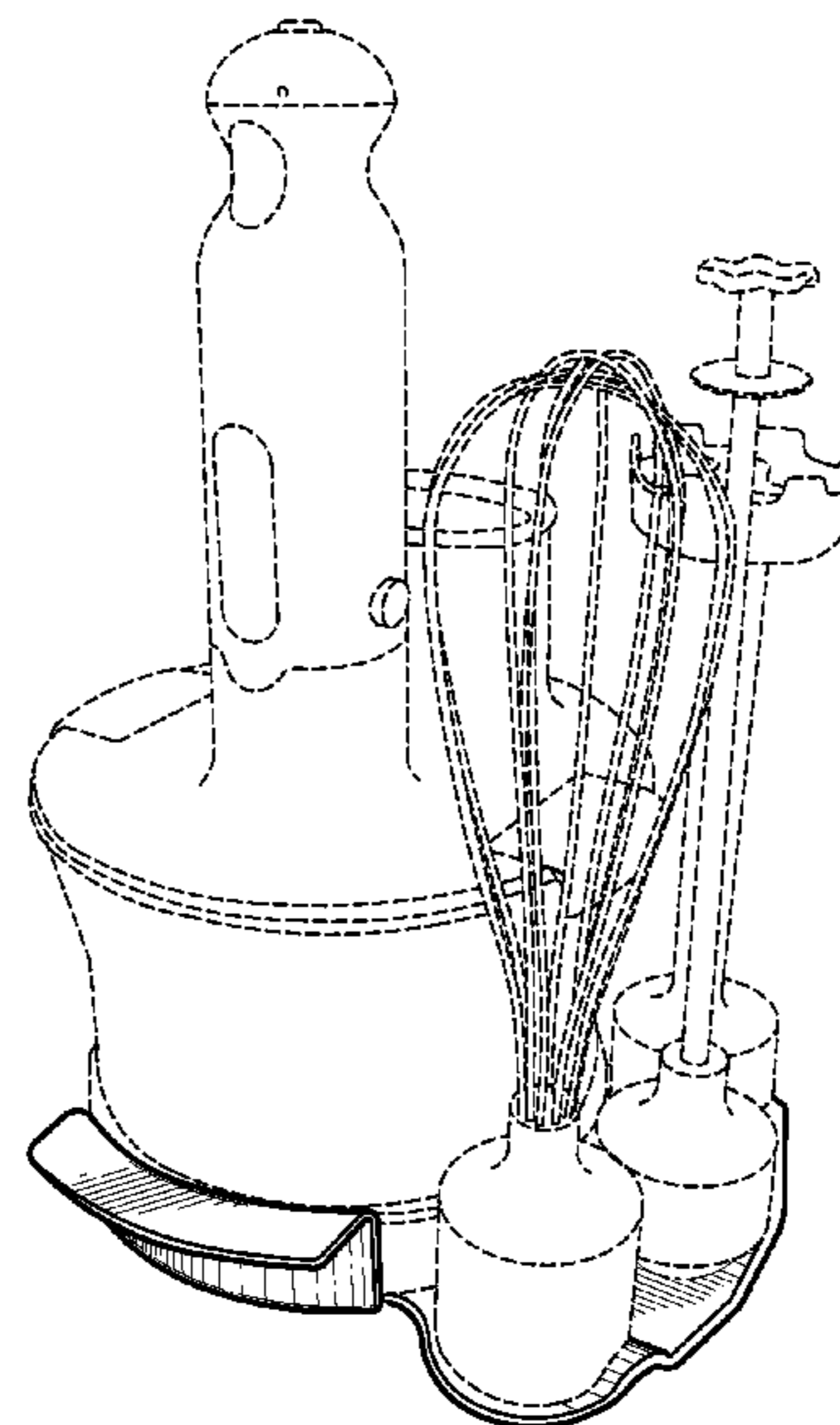
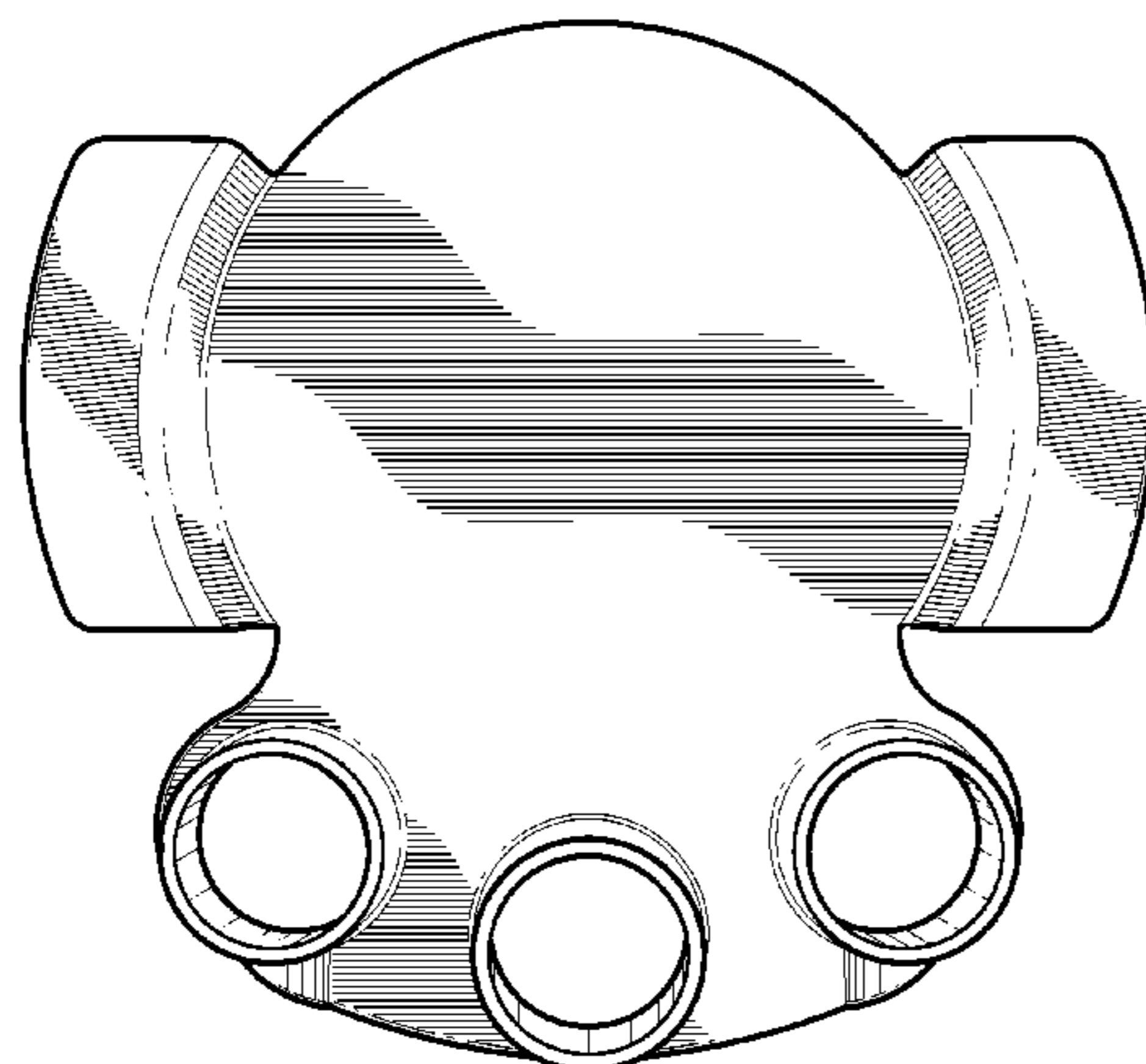
FIG. 4 is a front view of stand with kitchen appliance and tool attachments in place, the broken line showing of the kitchen appliance and tool attachments is for illustrative purposes only and forms no part of the claimed design;

FIG. 5 is a plan view from above of stand with kitchen appliance and tool attachments in place, the broken line showing of the kitchen appliance and tool attachments is for illustrative purposes only and forms no part of the claimed design;

FIG. 6 is a right side view of stand with kitchen appliance and tool attachments in place, the left side view thereof being a mirror image of the right side view thereof, the broken line showing of the kitchen appliance and tool attachments is for illustrative purposes only and forms no part of the claimed design; and,

FIG. 7 is a perspective view of stand with kitchen appliance and tool attachments in place, the broken line showing of the kitchen appliance and tool attachments is for illustrative purposes only and forms no part of the claimed design.

1 Claim, 7 Drawing Sheets



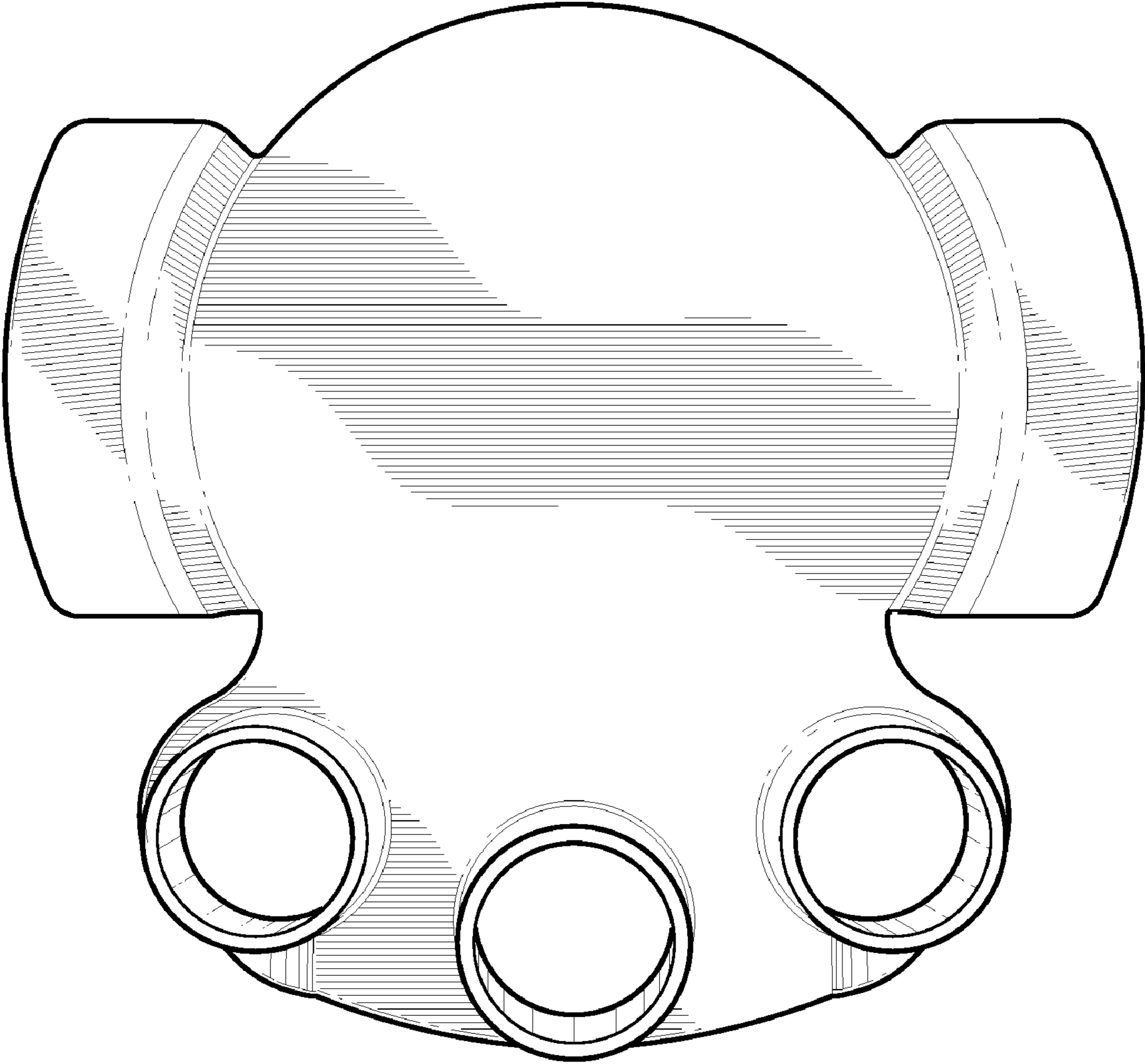


FIG. 1

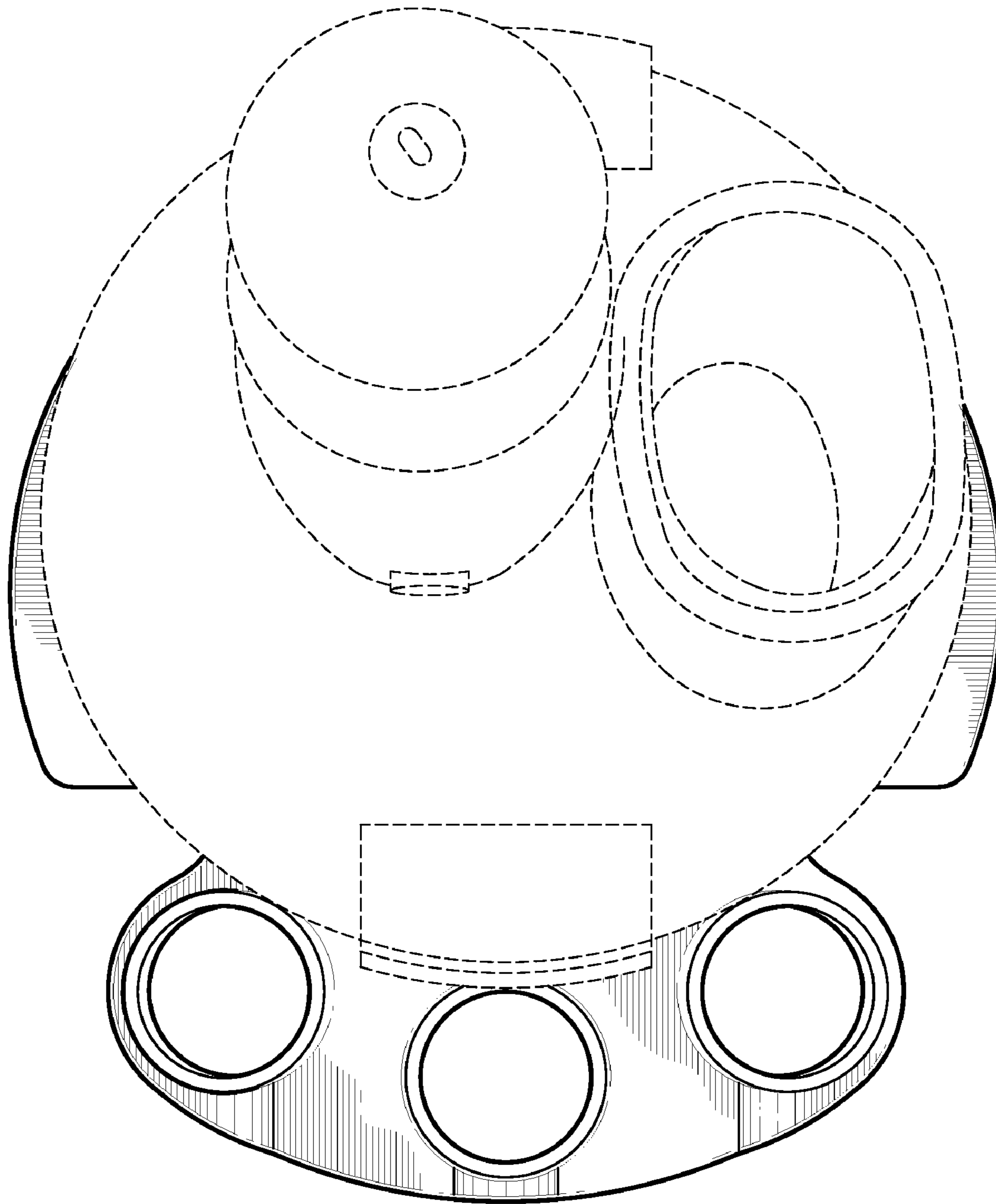


FIG. 2

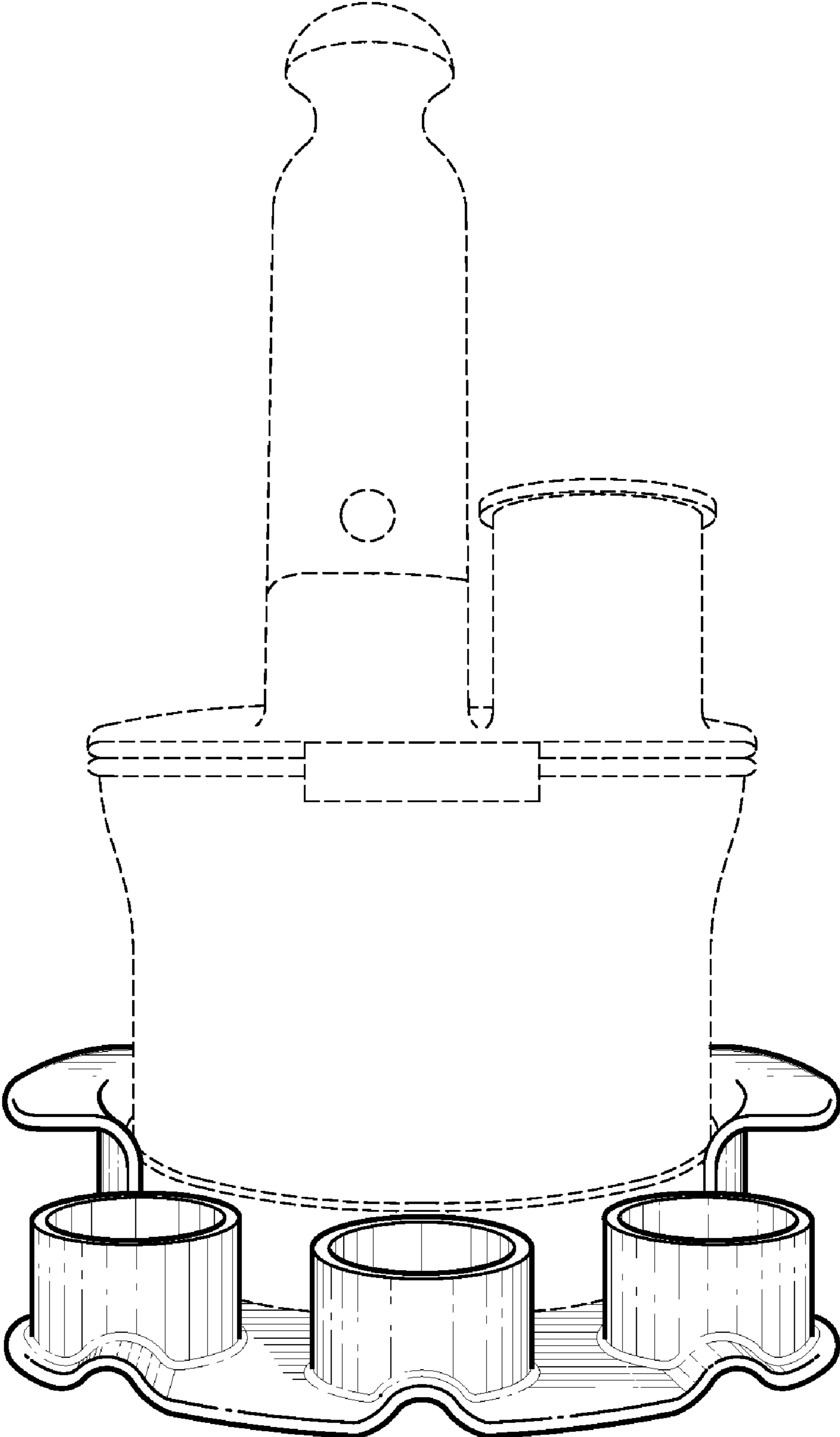


FIG. 3

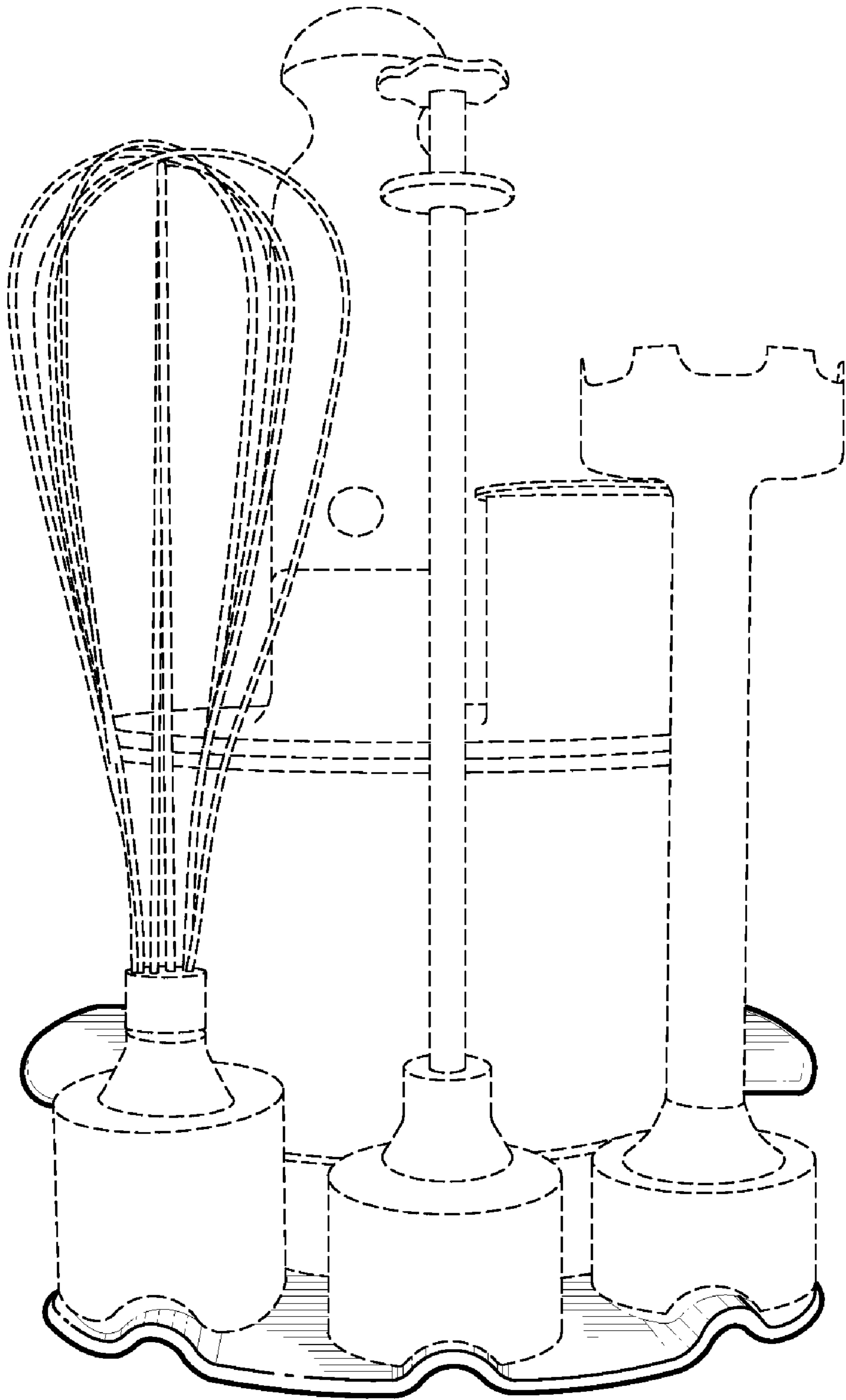


FIG. 4

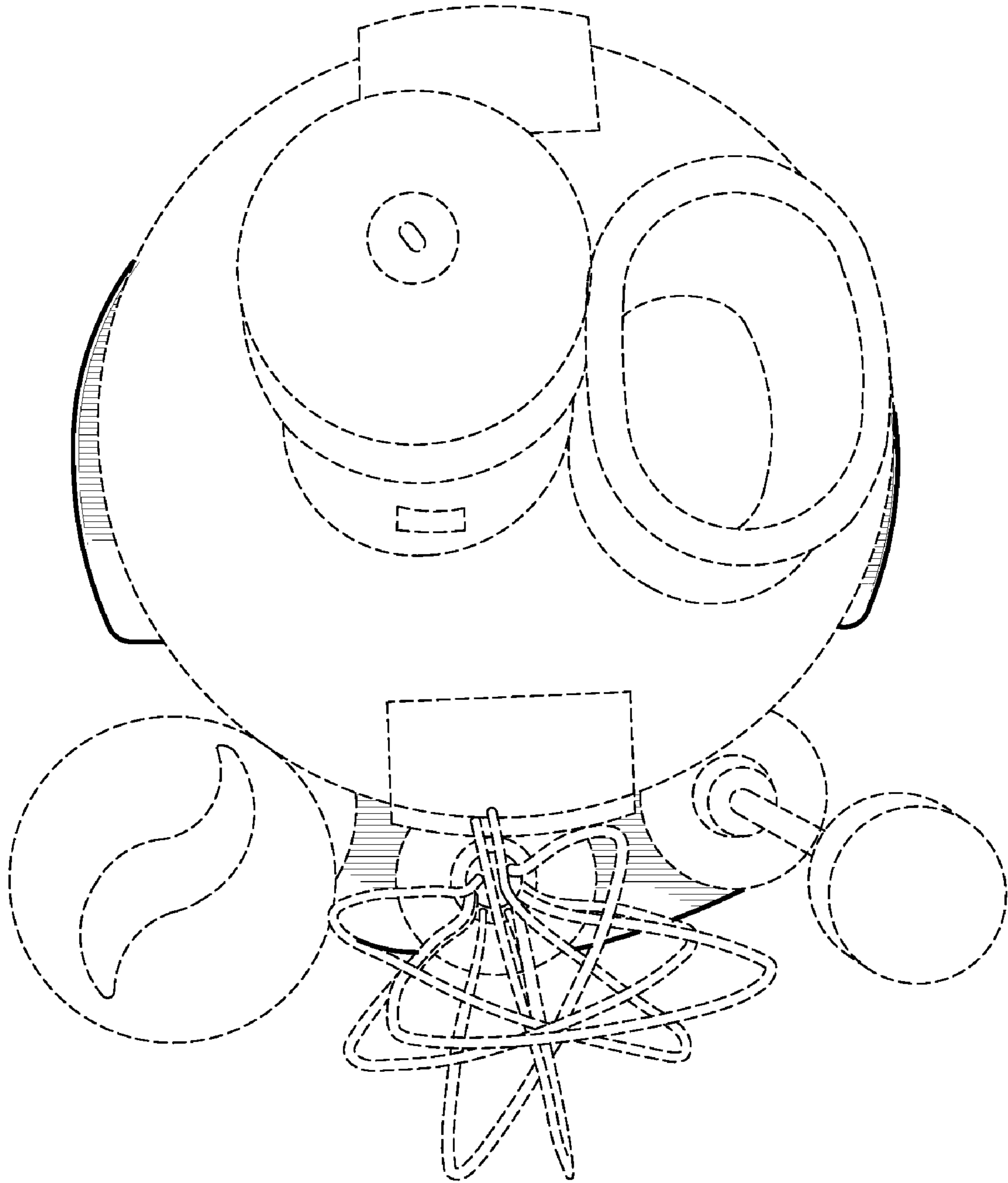


FIG. 5

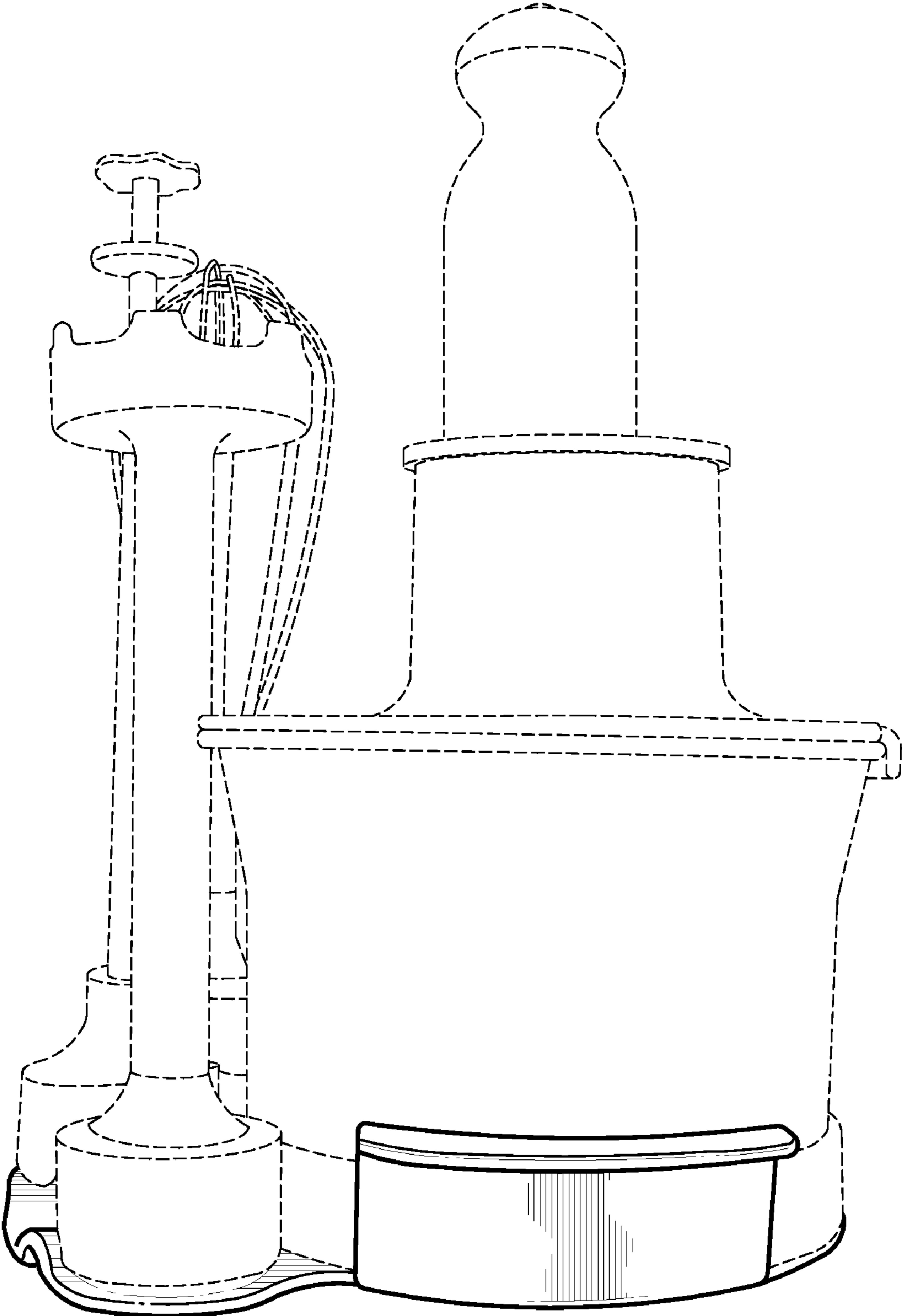


FIG. 6

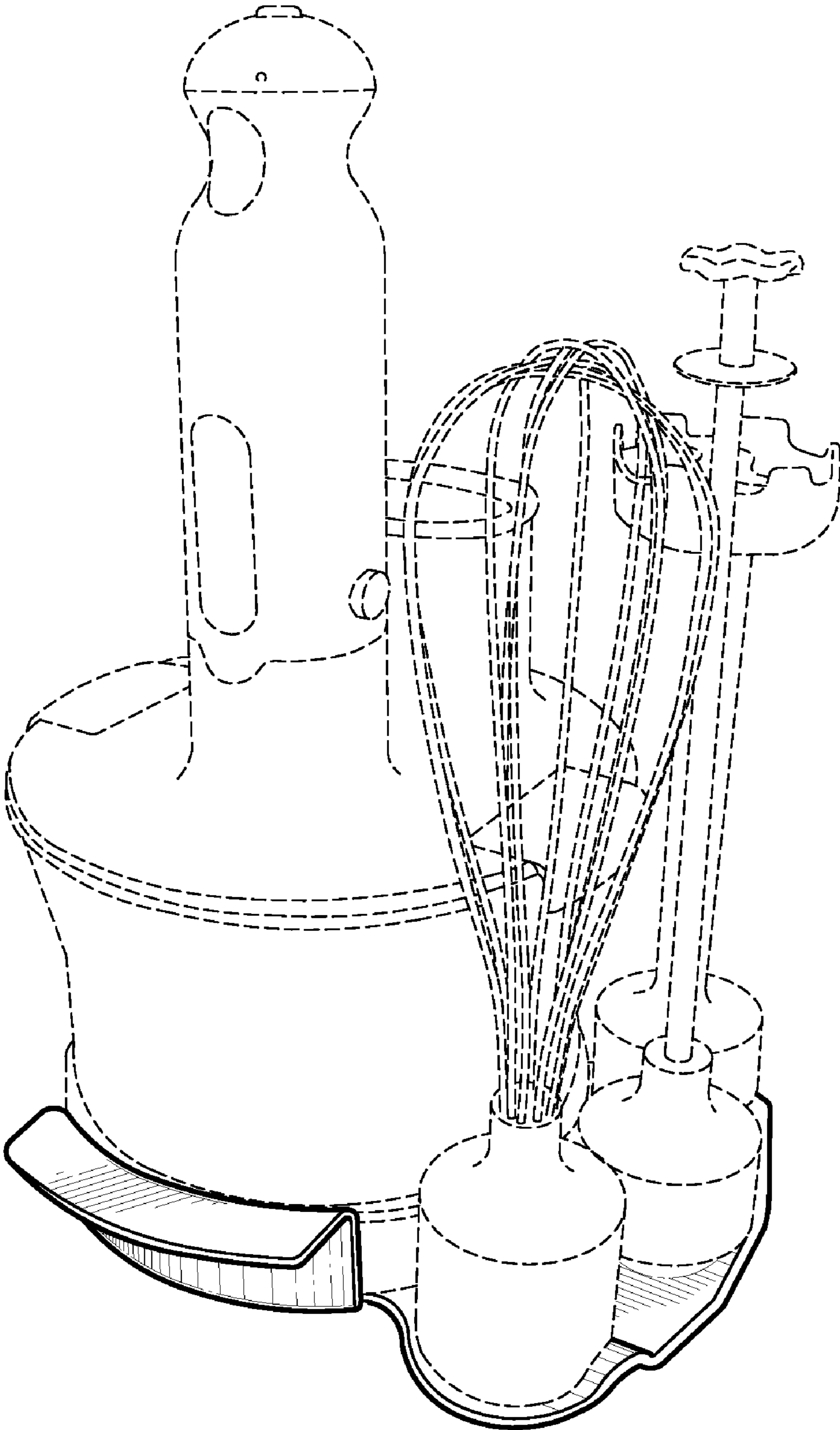


FIG. 7