



US00D579261S

(12) **United States Design Patent**
Chiang

(10) **Patent No.:** **US D579,261 S**
(45) **Date of Patent:** **** Oct. 28, 2008**

(54) **BARBECUE GRILL**

(76) Inventor: **Tzu-Yun Chiang**, No. 19-2, Nankeng Lane, Shueiyuan Rd., Fongyuan City, Taichung Hsien (TW)

(**) Term: **14 Years**

(21) Appl. No.: **29/302,335**

(22) Filed: **Jan. 15, 2008**

(51) **LOC (8) Cl.** **07-02**

(52) **U.S. Cl.** **D7/332**

(58) **Field of Classification Search** D7/332-337, D7/402-405, 352; D23/343, 401; 126/519, 126/25 R, 25 A, 25 AA, 41 R, 29, 30, 9 R, 126/38, 37 R, 40, 50; 99/444-445, 448, 99/481-482

See application file for complete search history.

(56) **References Cited**

U.S. PATENT DOCUMENTS

- 4,667,651 A * 5/1987 Groeneweg 126/25 R
- D375,347 S * 11/1996 Whalen et al. D23/317
- D397,428 S * 8/1998 Reitsma et al. D23/348
- D417,362 S * 12/1999 Ting D7/402

- D420,115 S * 2/2000 Bach et al. D23/348
- D457,229 S * 5/2002 Chen D23/343
- D468,952 S * 1/2003 Graham et al. D7/332
- D500,359 S * 12/2004 Davis D23/343
- 7,383,836 B2 * 6/2008 Klemming 126/506

* cited by examiner

Primary Examiner—Ruth McInroy

(74) *Attorney, Agent, or Firm*—Mark A. Mersereau; Nikolai & Mersereau, P.A.

(57) **CLAIM**

The ornamental design for a barbecue grill, as shown.

DESCRIPTION

FIG. 1 is a perspective view of a barbecue grill showing my new design;

FIG. 2 is a front view thereof;

FIG. 3 is a rear view thereof;

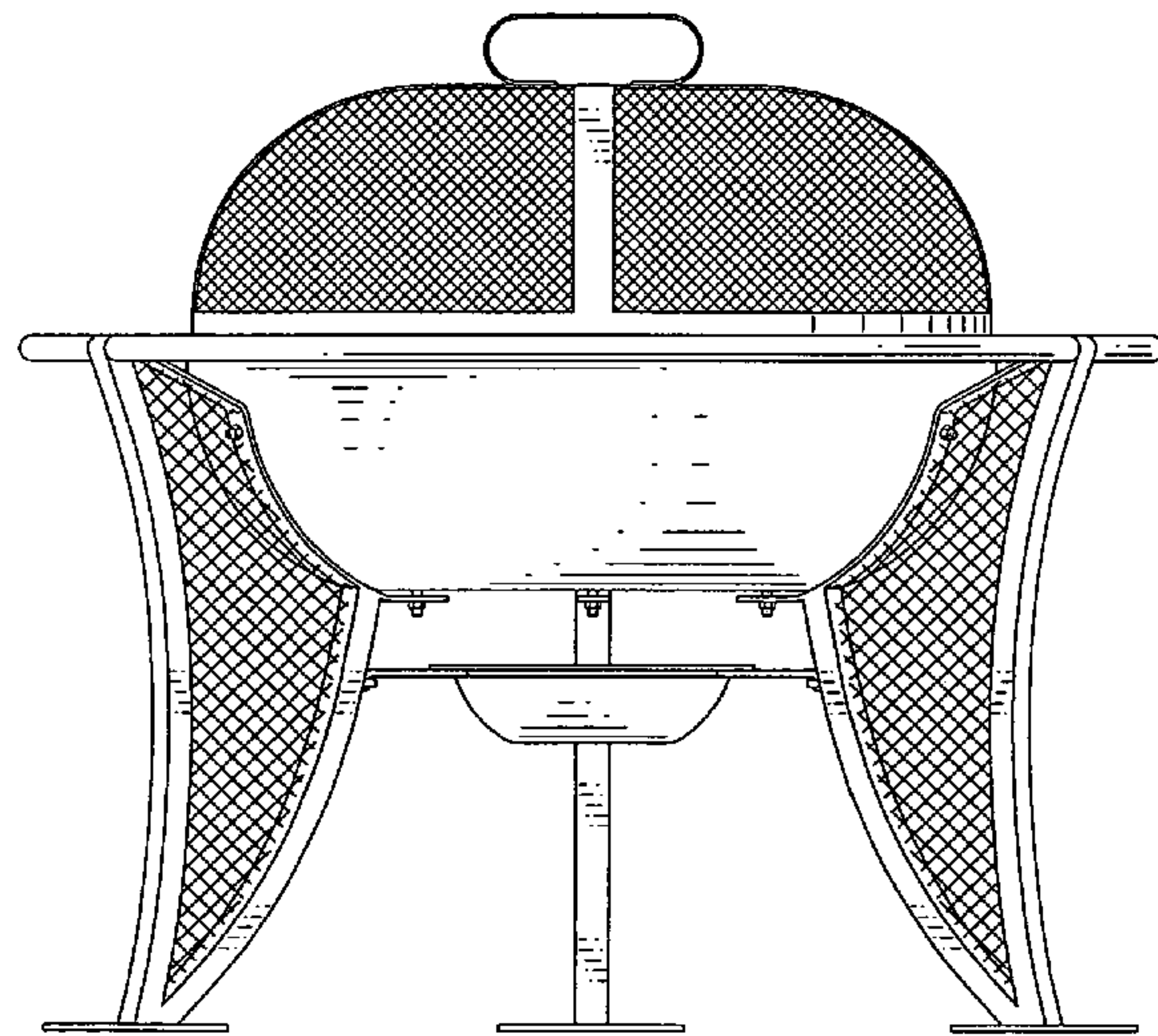
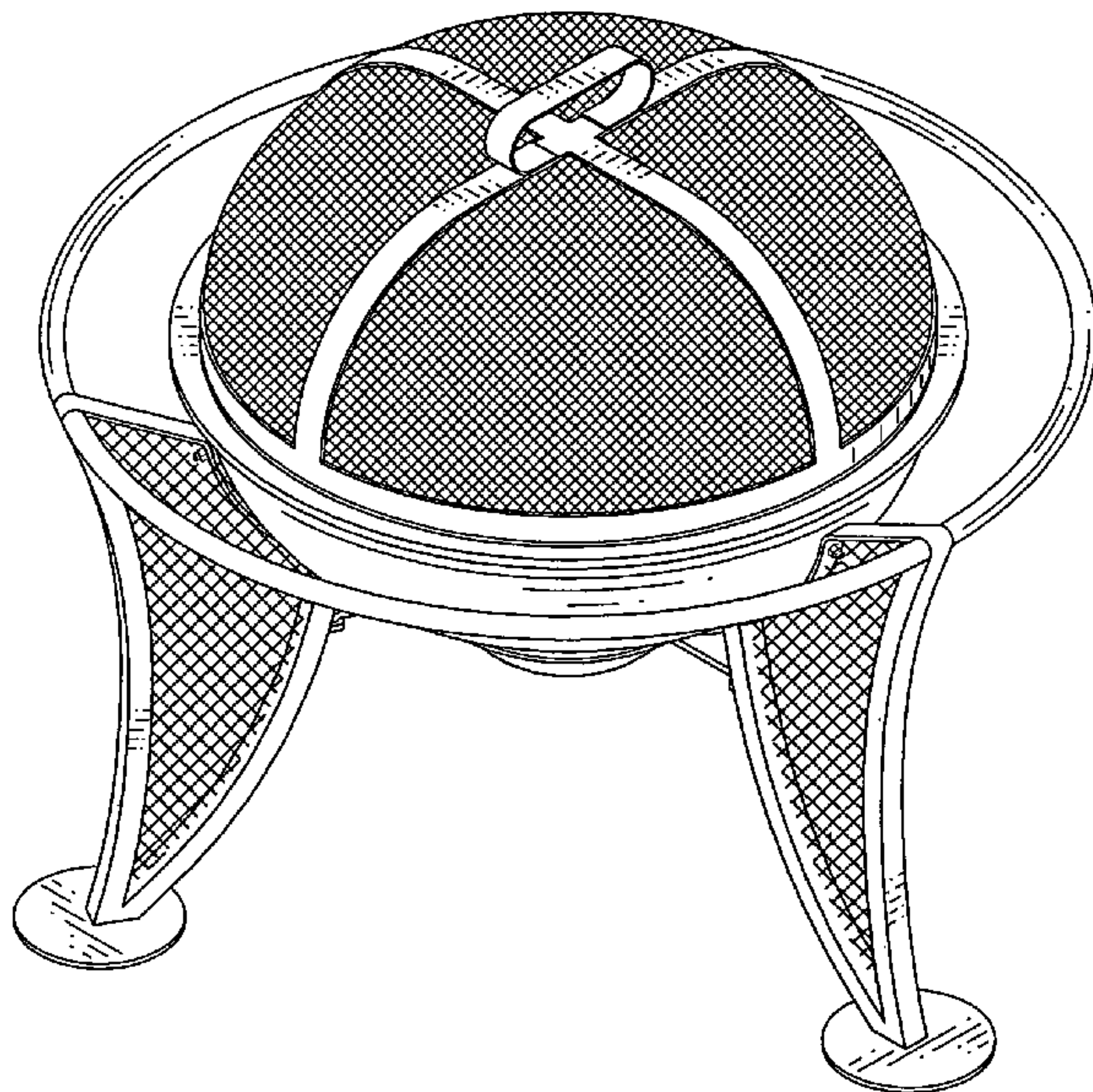
FIG. 4. is a left side view thereof;

FIG. 5. is a right side view thereof;

FIG. 6 is a top view thereof; and,

FIG. 7 is a bottom view thereof.

1 Claim, 7 Drawing Sheets



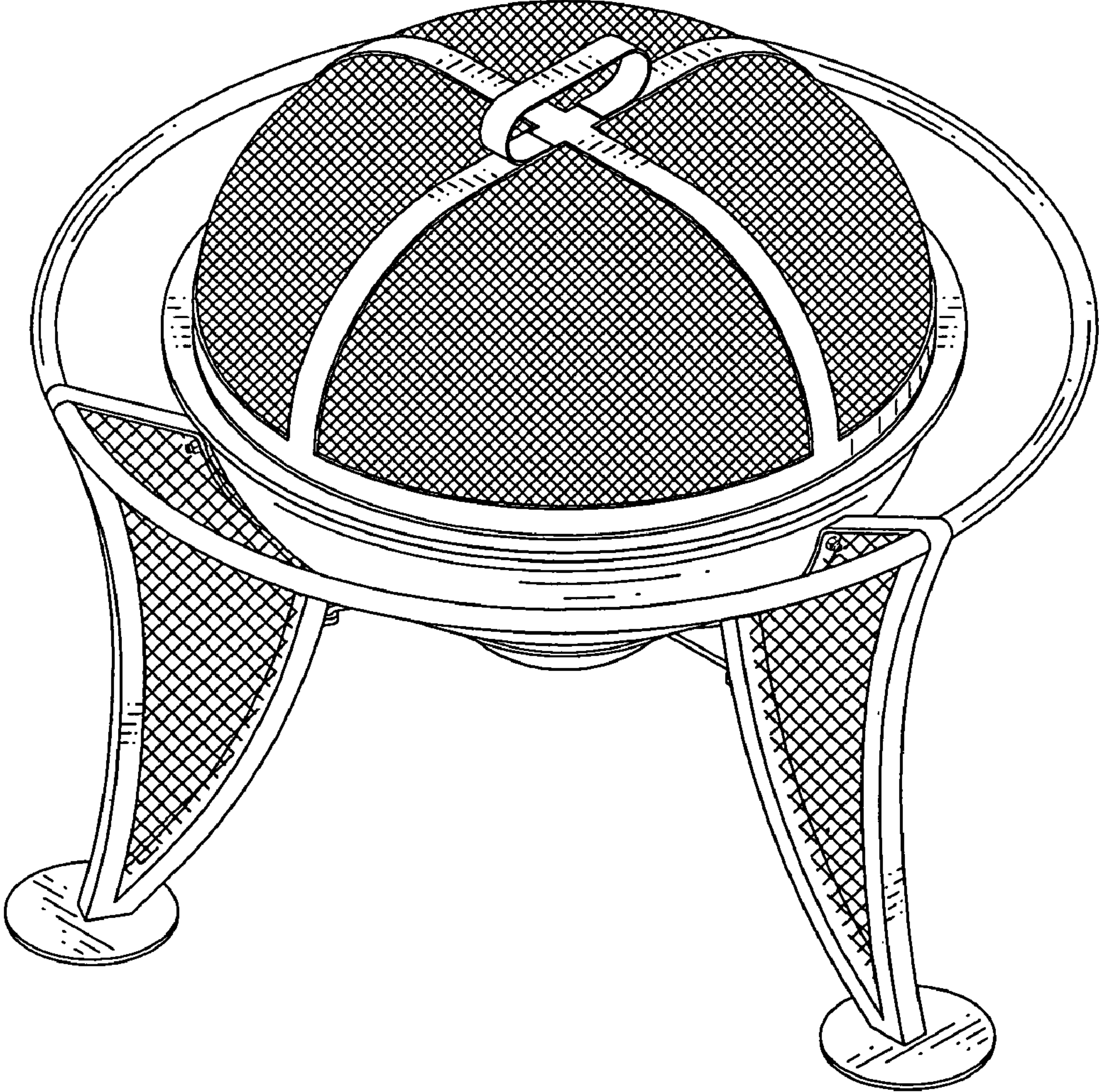


FIG. 1

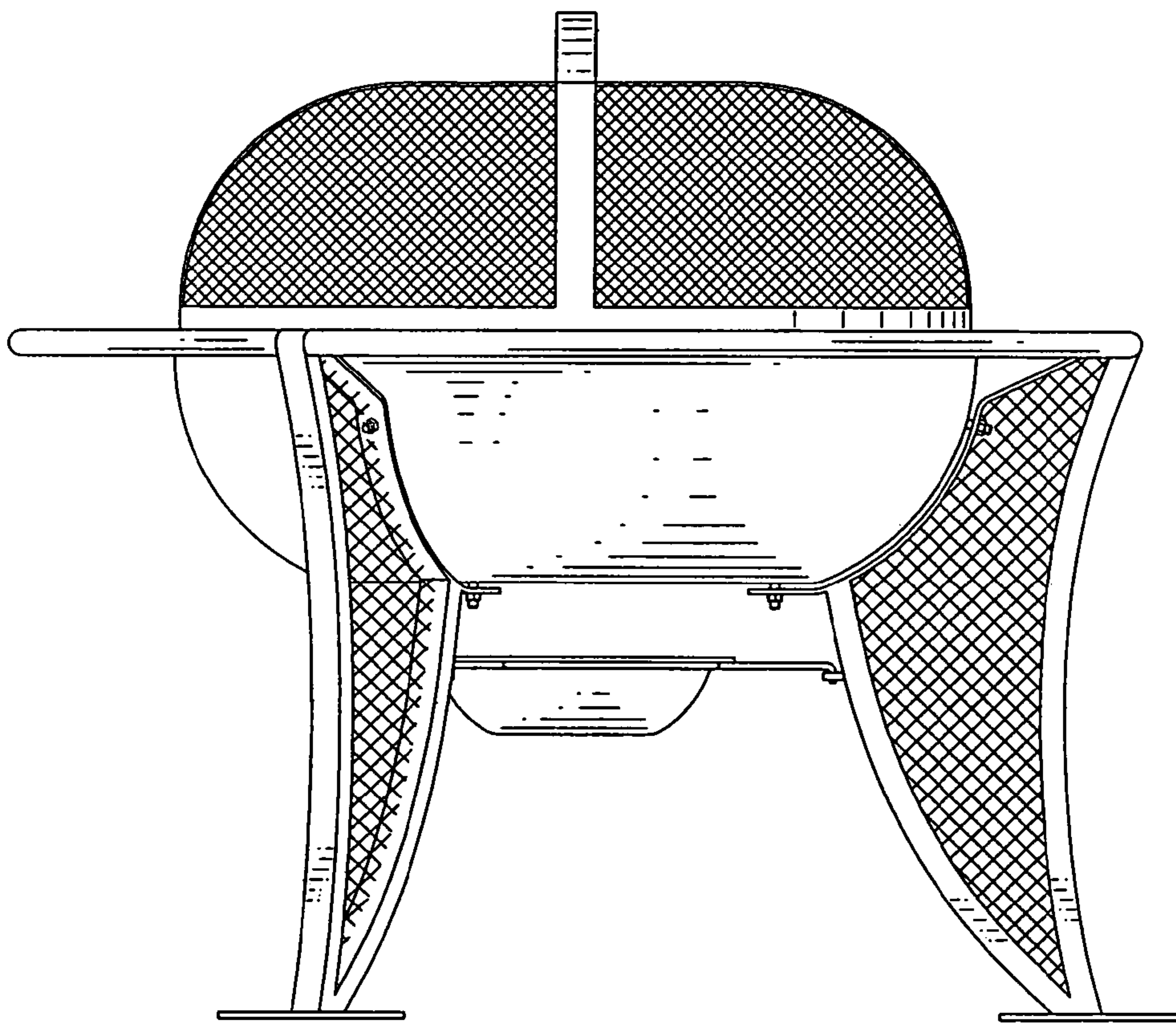


FIG. 2

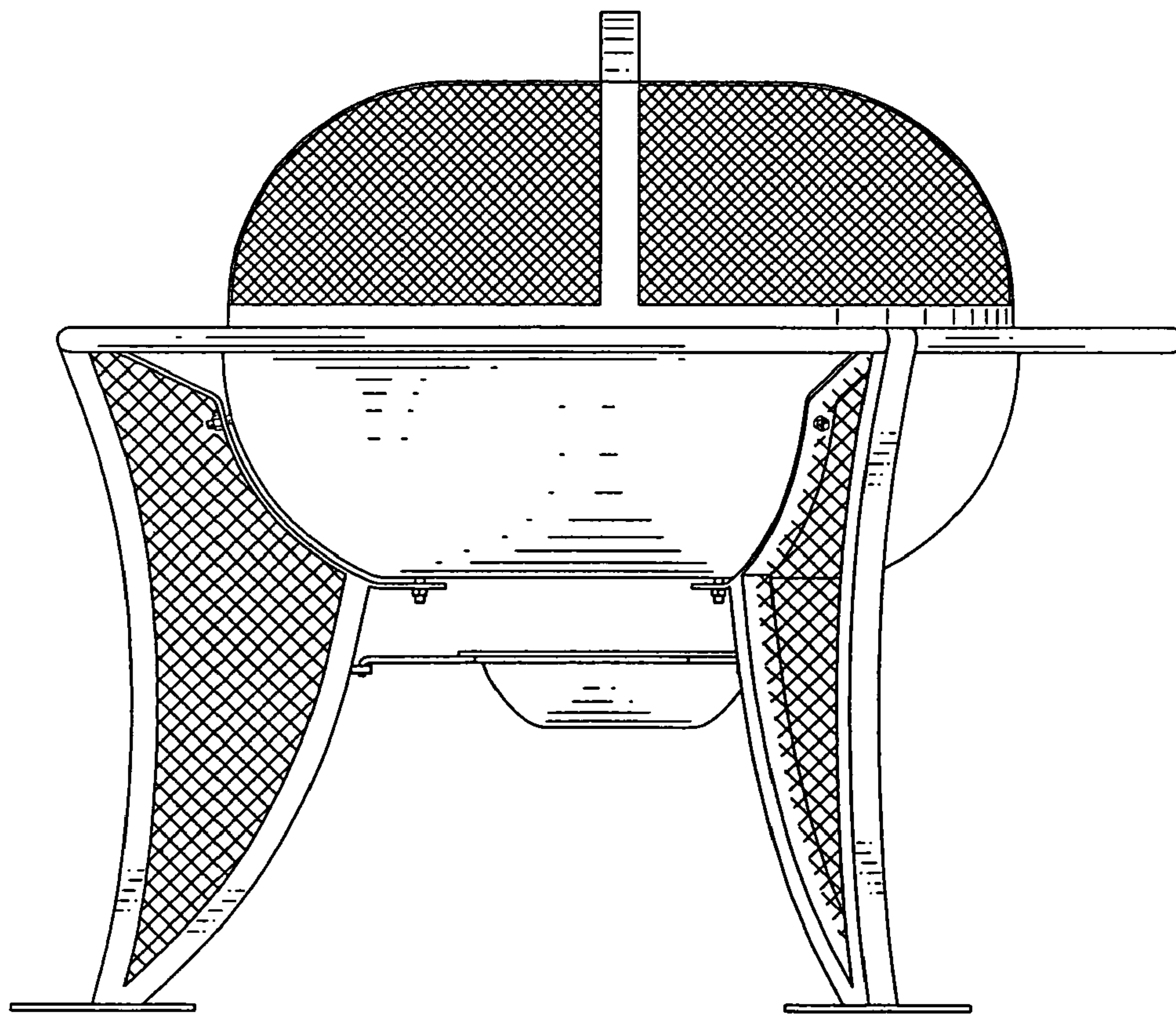


FIG. 3

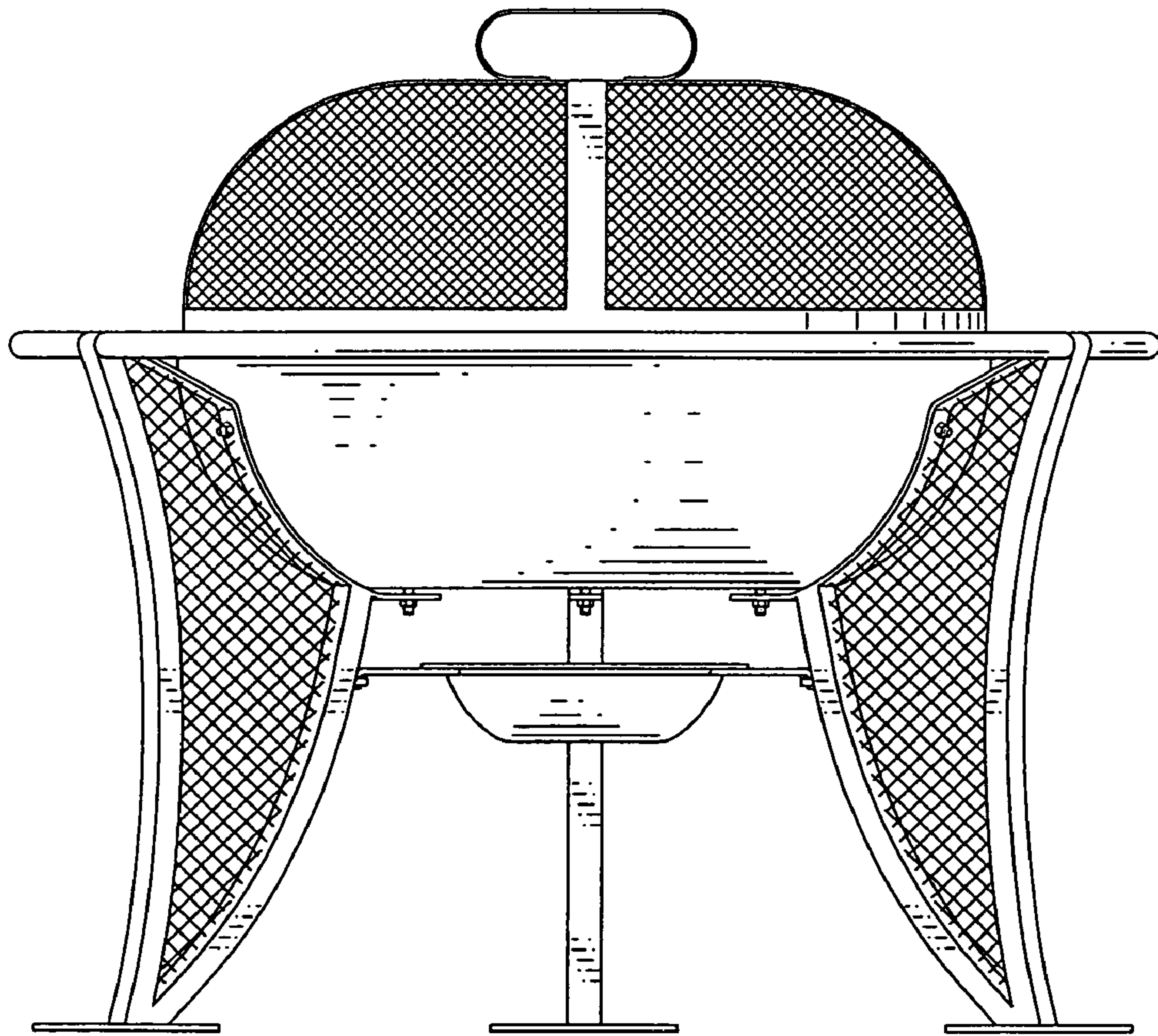


FIG. 4

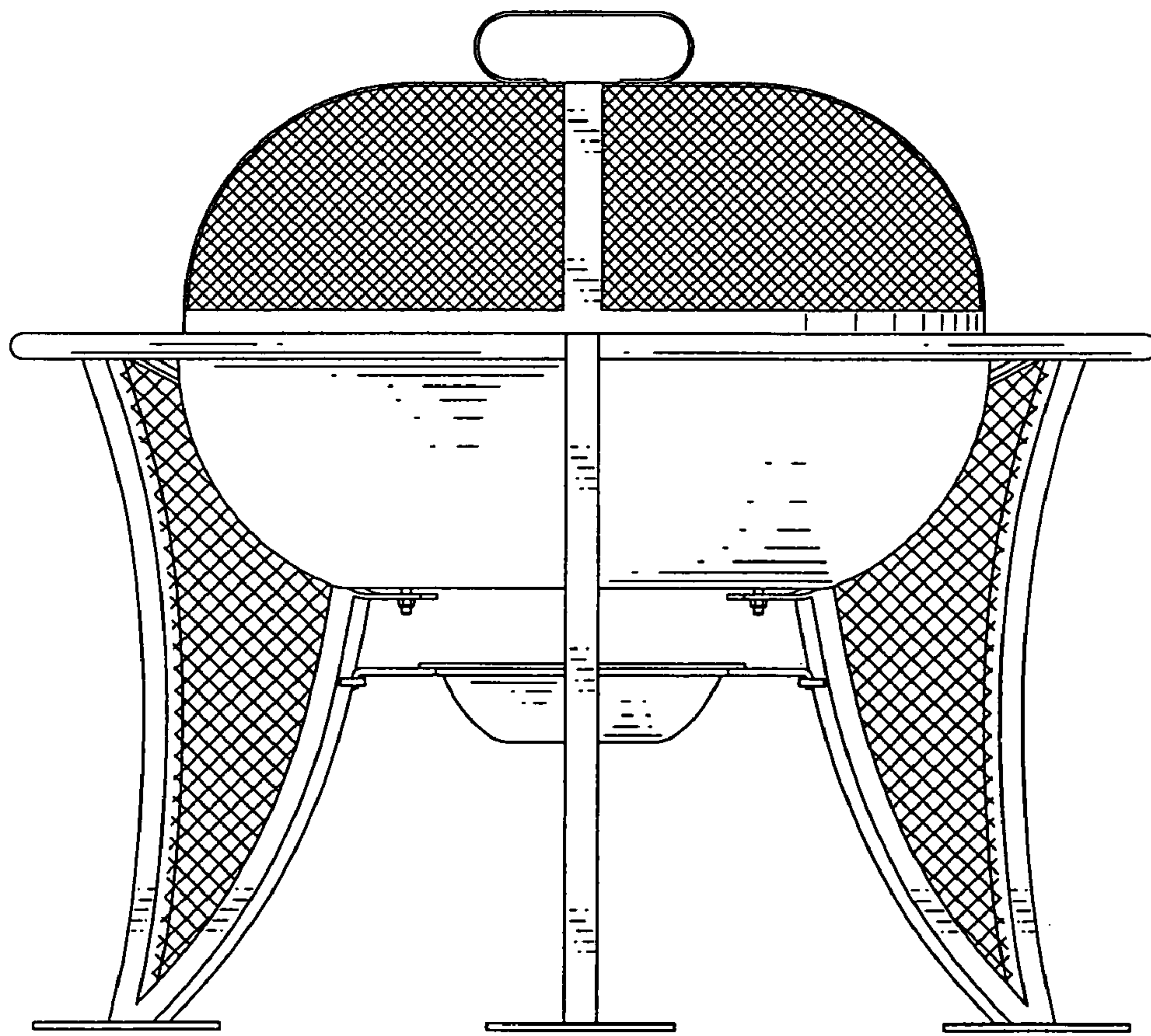


FIG. 5

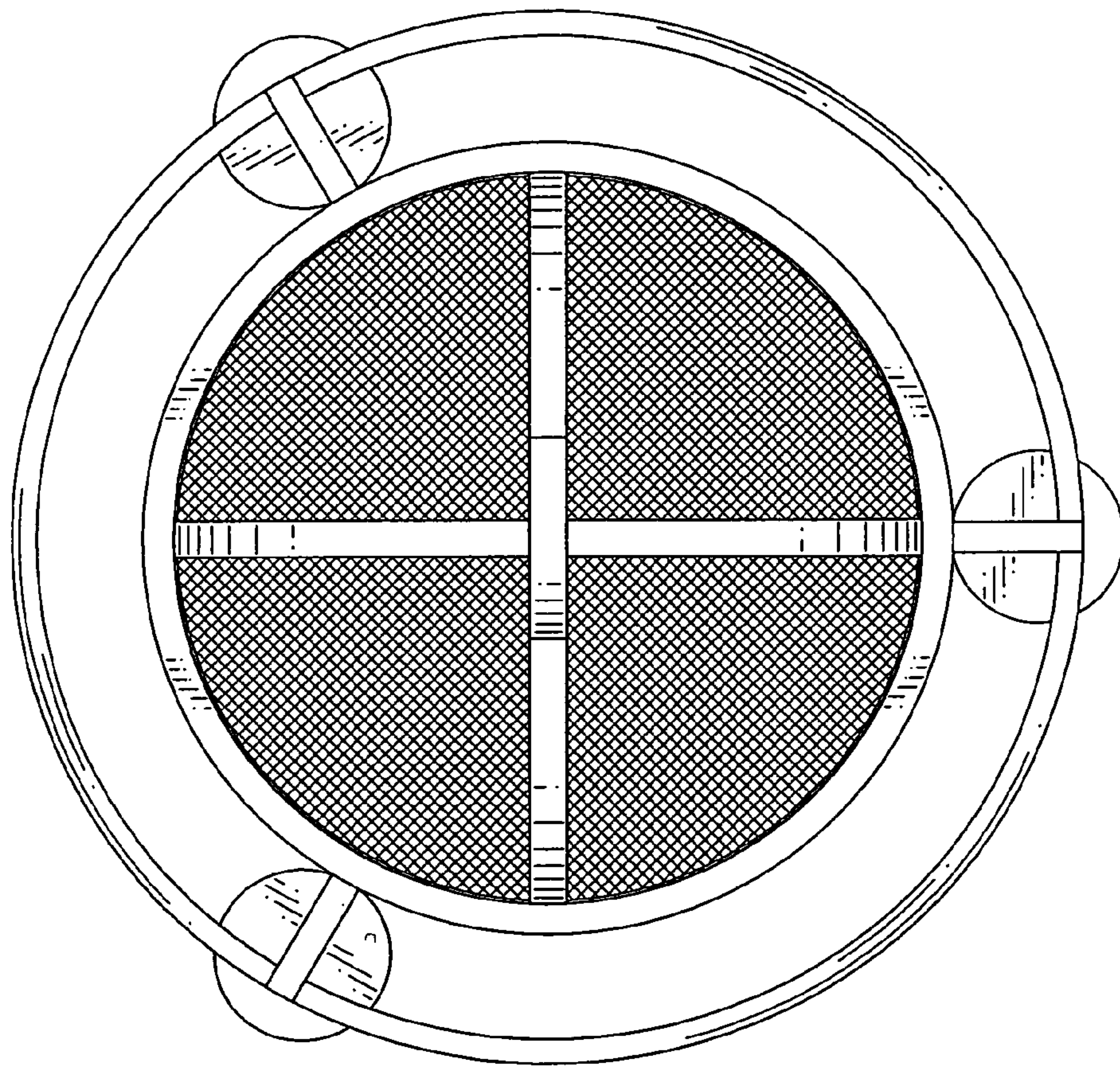


FIG. 6

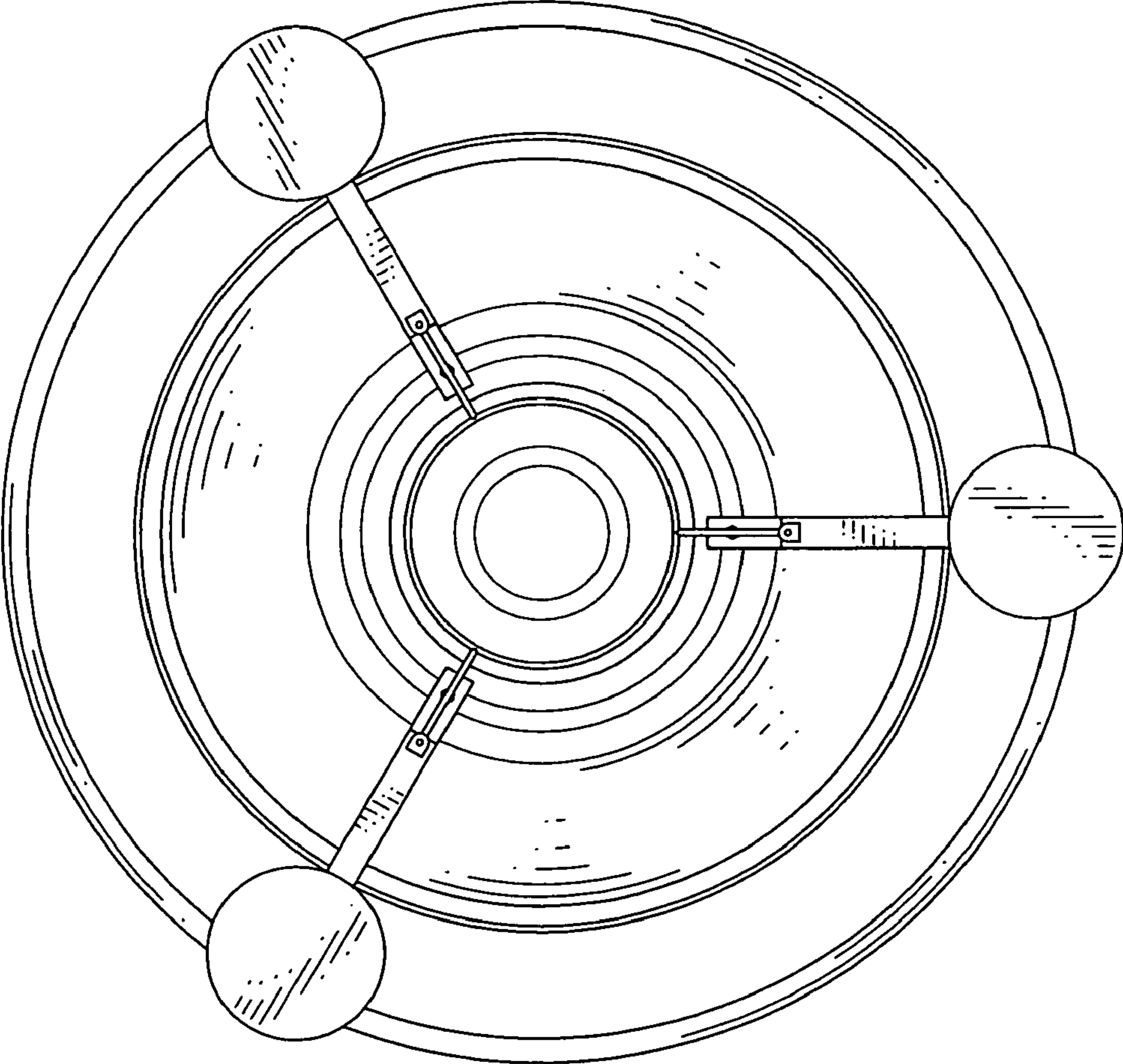


FIG. 7