



US00D579255S

(12) **United States Design Patent**  
**Thompson et al.**

(10) **Patent No.:** **US D579,255 S**  
(45) **Date of Patent:** **\*\* Oct. 28, 2008**

(54) **SHELF**

(75) Inventors: **Craig Thompson**, Inver Grove Heights, MN (US); **Byron E. Trotter**, St. Paul, MN (US); **John M. Pilgrim**, Woodbury, MN (US); **Ivana Babic**, Milan (IT); **Gabriel F. Zangari**, Milan (IT); **Peter J. Newbould**, Milan (IT); **Michele Cestone**, Milan (IT)

(73) Assignee: **3M Innovative Properties Company**, St. Paul, MN (US)

(\*\*) Term: **14 Years**

(21) Appl. No.: **29/296,614**

(22) Filed: **Oct. 24, 2007**

(51) **LOC (8) Cl.** ..... **06-04**

(52) **U.S. Cl.** ..... **D6/574**

(58) **Field of Classification Search** ..... D6/518-524, D6/548-550, 574; D8/300, 303, 315-321, D8/349, 354, 363, 373, 380; 108/28-29; 211/13.1, 16, 60.1, 100, 86.01, 87.01, 88.01, 211/88.04, 105.1-105.2, 123, 182, 181.1; 248/176, 176.1, 251, 302, 309.1; 16/110.1, 16/412, 415; 242/570, 590, 595-598

See application file for complete search history.

(56) **References Cited**

U.S. PATENT DOCUMENTS

D484,346 S \* 12/2003 Shamoan ..... D6/574  
D500,225 S \* 12/2004 Suero, Jr. .... D6/574  
D512,867 S \* 12/2005 Gates et al. .... D6/574  
D546,103 S \* 7/2007 Eyman et al. .... D6/574

\* cited by examiner

*Primary Examiner*—Brian N Vinson

(74) *Attorney, Agent, or Firm*—David B. Patchett

(57) **CLAIM**

The ornamental design for a shelf, as shown and described.

**DESCRIPTION**

FIG. 1 is a perspective view showing the new design for a shelf;

FIG. 2 is a front view thereof;

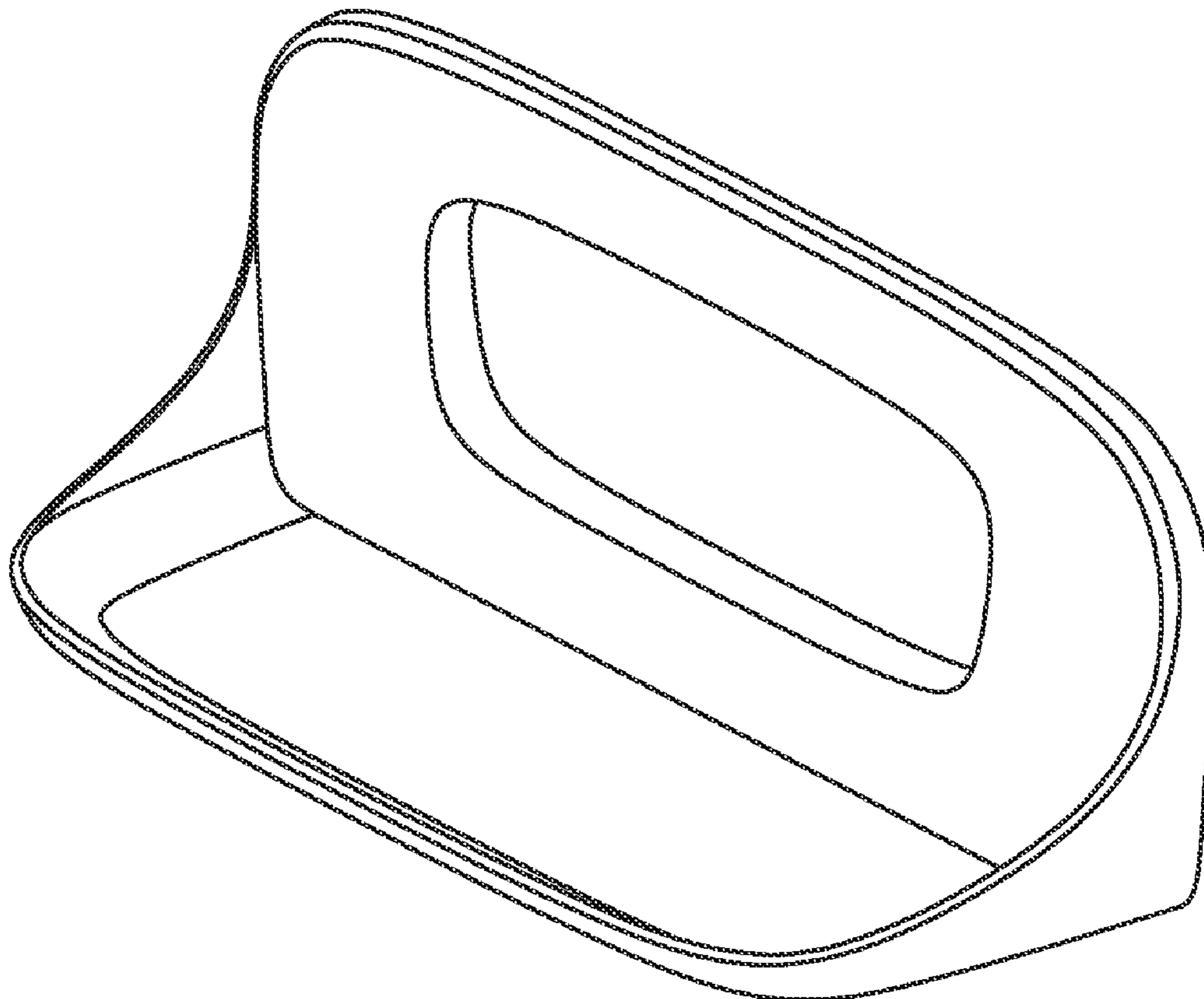
FIG. 3 is a back view thereof;

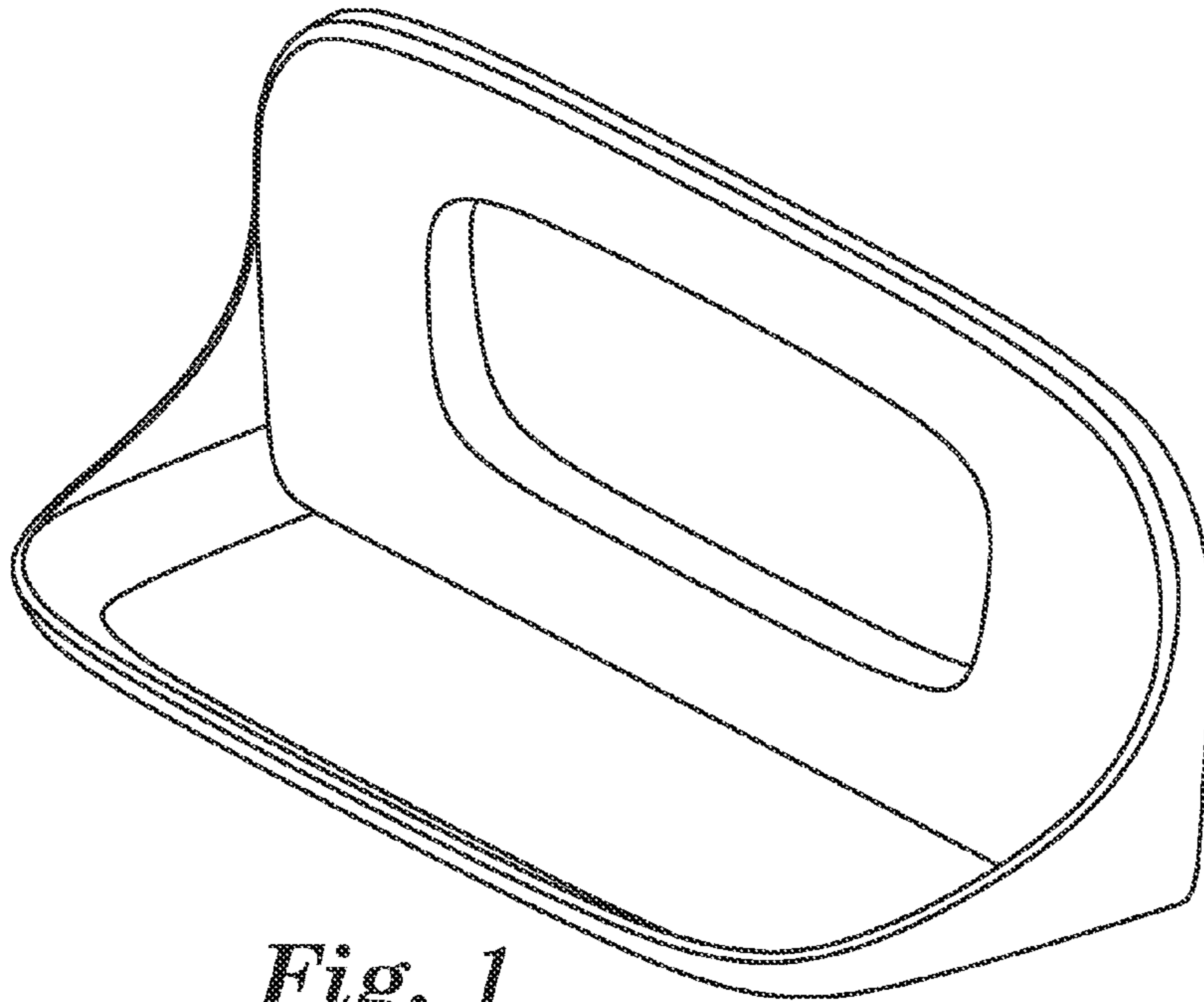
FIG. 4 is a top view thereof;

FIG. 5 is a bottom view thereof; and,

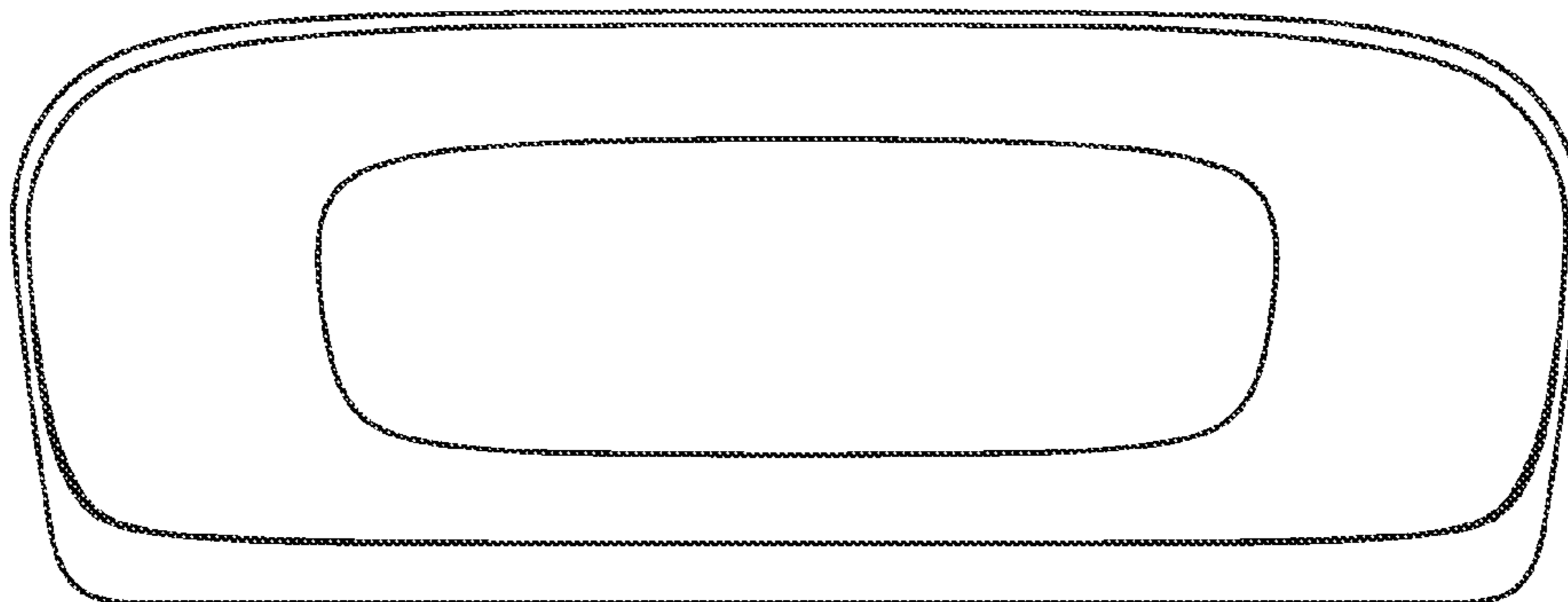
FIG. 6 is a side view thereof, the opposite side view being a mirror image of the side view shown.

**1 Claim, 2 Drawing Sheets**

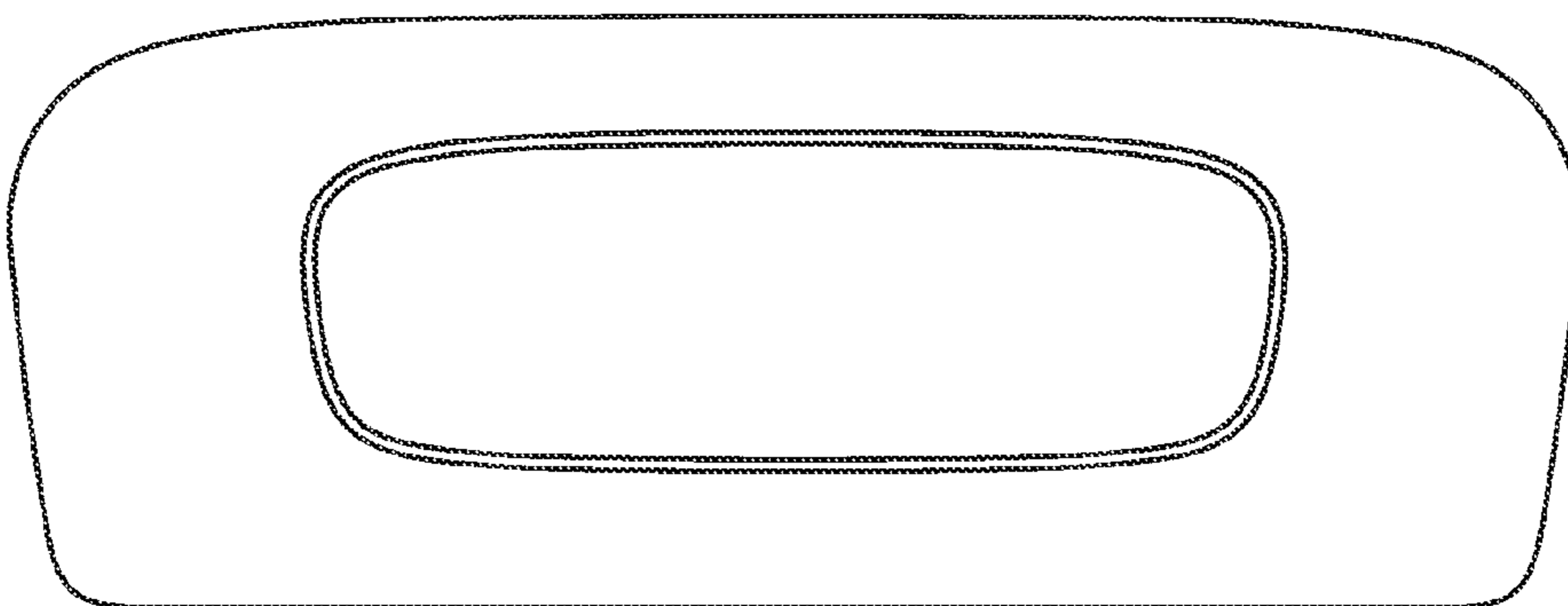




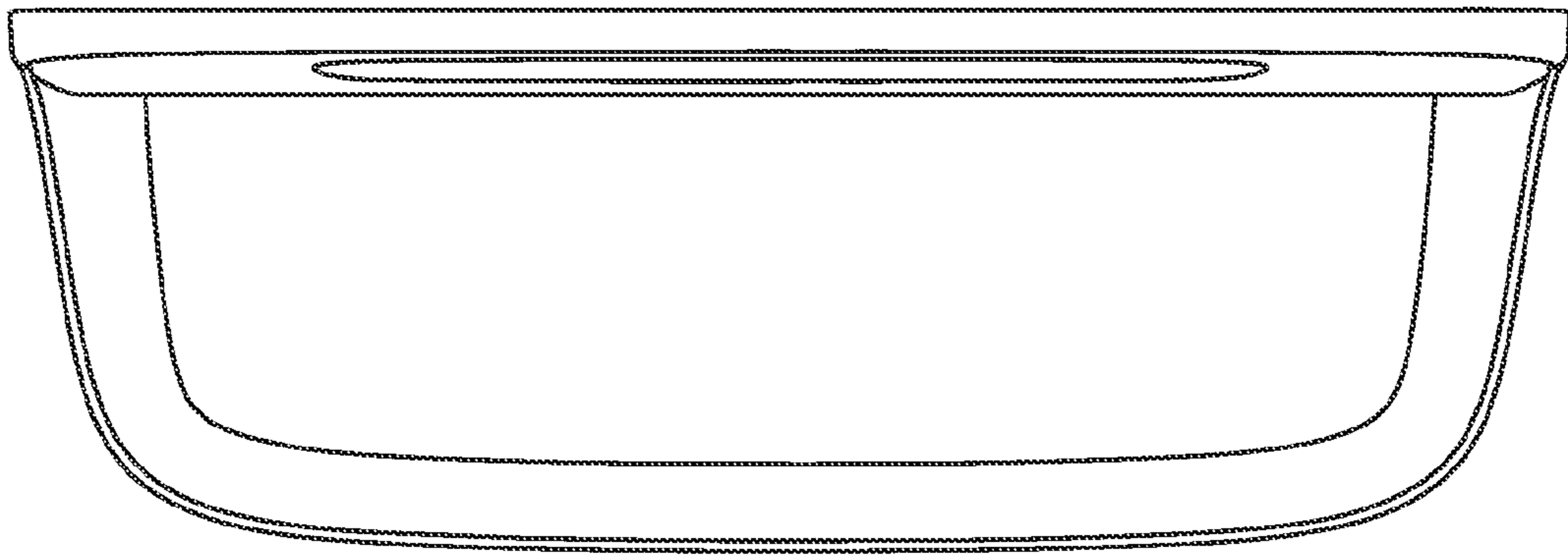
*Fig. 1*



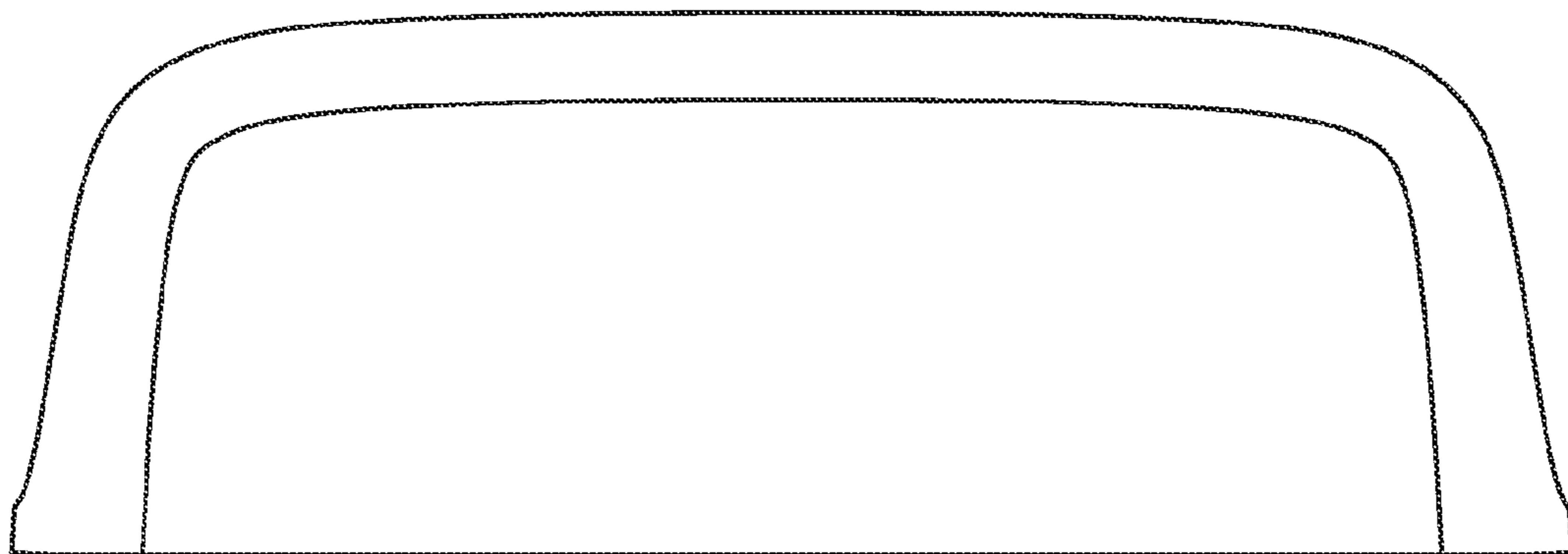
*Fig. 2*



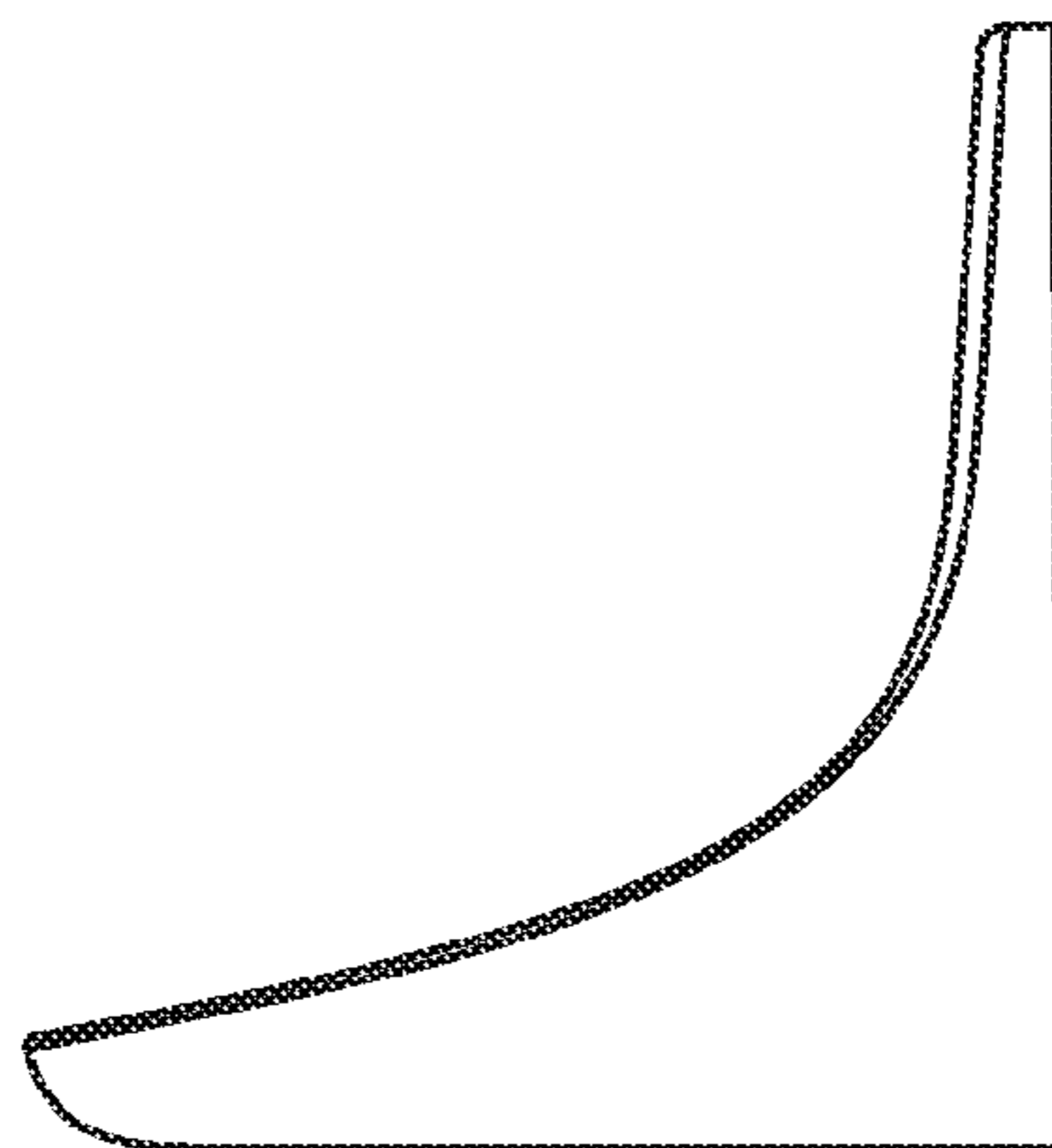
*Fig. 3*



*Fig. 4*



*Fig. 5*



*Fig. 6*