

US00D579251S

(12) **United States Design Patent**  
**Dolan**

(10) **Patent No.:** **US D579,251 S**  
(45) **Date of Patent:** **\*\* Oct. 28, 2008**

(54) **POST FOR BATHROOM ACCESSORIES**

D552,903 S \* 10/2007 Bitterman ..... D6/524  
D563,131 S \* 3/2008 Ricereto ..... D6/524

(76) Inventor: **Patrick S. Dolan**, 2700 NW. Front Ave.,  
Portland, OR (US) 97210

(\*\*) Term: **14 Years**

(21) Appl. No.: **29/308,098**

(22) Filed: **May 27, 2008**

(51) **LOC (8) Cl.** ..... **06-04**

(52) **U.S. Cl.** ..... **D6/550**

(58) **Field of Classification Search** ..... D6/546-550,  
D6/518-523; D8/300, 303, 315-321, 349,  
D8/354, 363, 373, 380; 108/28-29; 211/13.1,  
211/16, 60.1, 100, 86.01, 87.01, 88.01, 88.04,  
211/105.1-105.2, 123, 182, 181.1; 248/175,  
248/176.1, 251, 302, 309.1; 16/110.1, 412,  
16/415; 242/570, 590, 595-598

See application file for complete search history.

(56) **References Cited**

**U.S. PATENT DOCUMENTS**

D533,384 S \* 12/2006 Gilbert ..... D6/550  
D551,886 S \* 10/2007 Berberet ..... D6/524

**OTHER PUBLICATIONS**

Murray Feiss, Bronx NY Cat. 2007, p. 251 Model BA1400BB.  
Hubbardton Forge, Castleton, VT Cat. 2008 Towel Bar Model #84-  
2016-20 Ason: www.homeportfolio.com.

\* cited by examiner

*Primary Examiner*—Brian N Vinson

(57) **CLAIM**

The ornamental design for a post for bathroom accessories, as shown and described.

**DESCRIPTION**

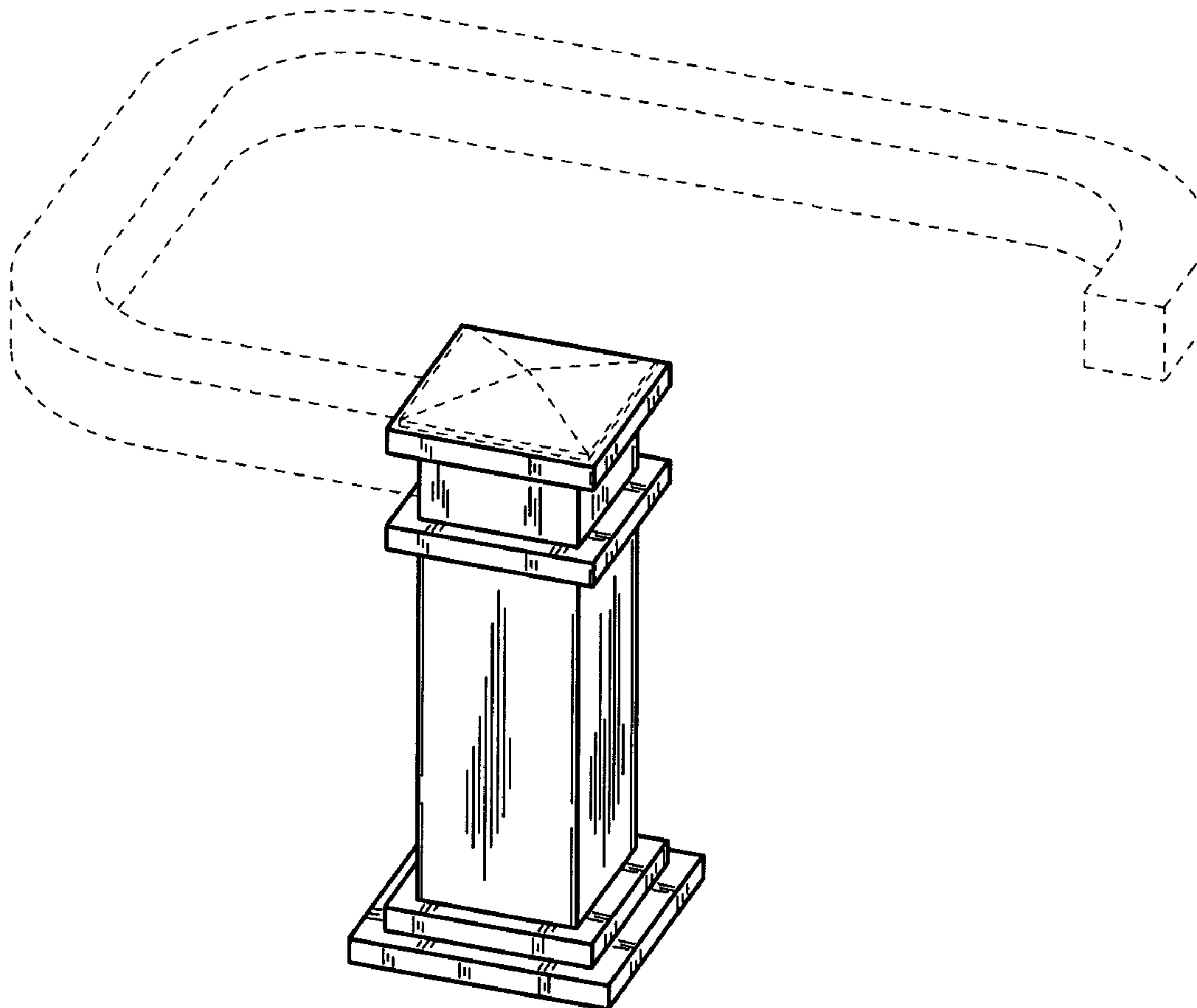
FIG. 1 is a perspective view of a post for bathroom accessories showing my new design;

FIG. 2 is a front elevational view thereof; and,

FIG. 3 is a top plan view thereof.

The broken-line disclosure in the views is for illustrative purposes only and is understood to form no part of the claimed design.

**1 Claim, 3 Drawing Sheets**



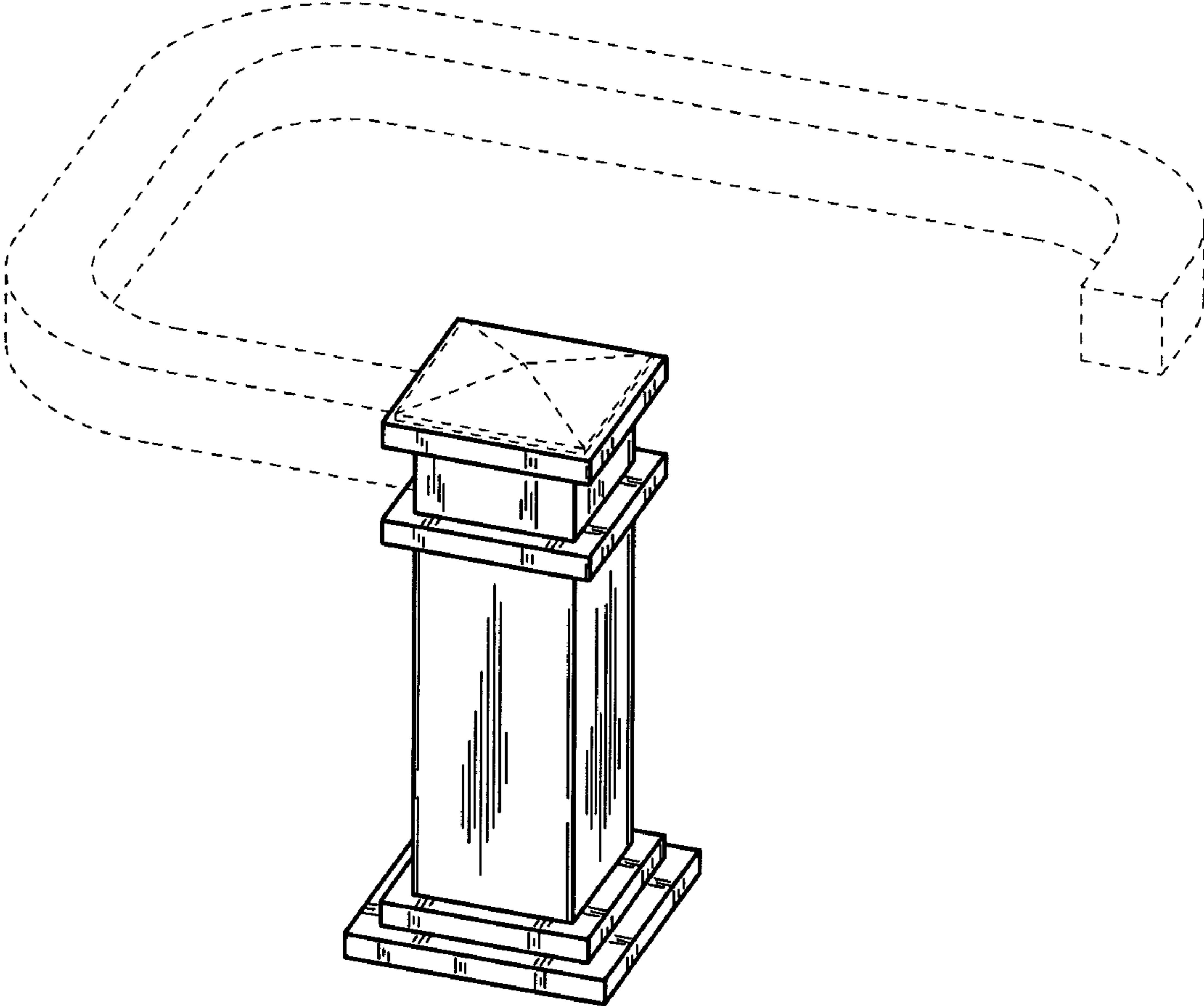


FIG. 1

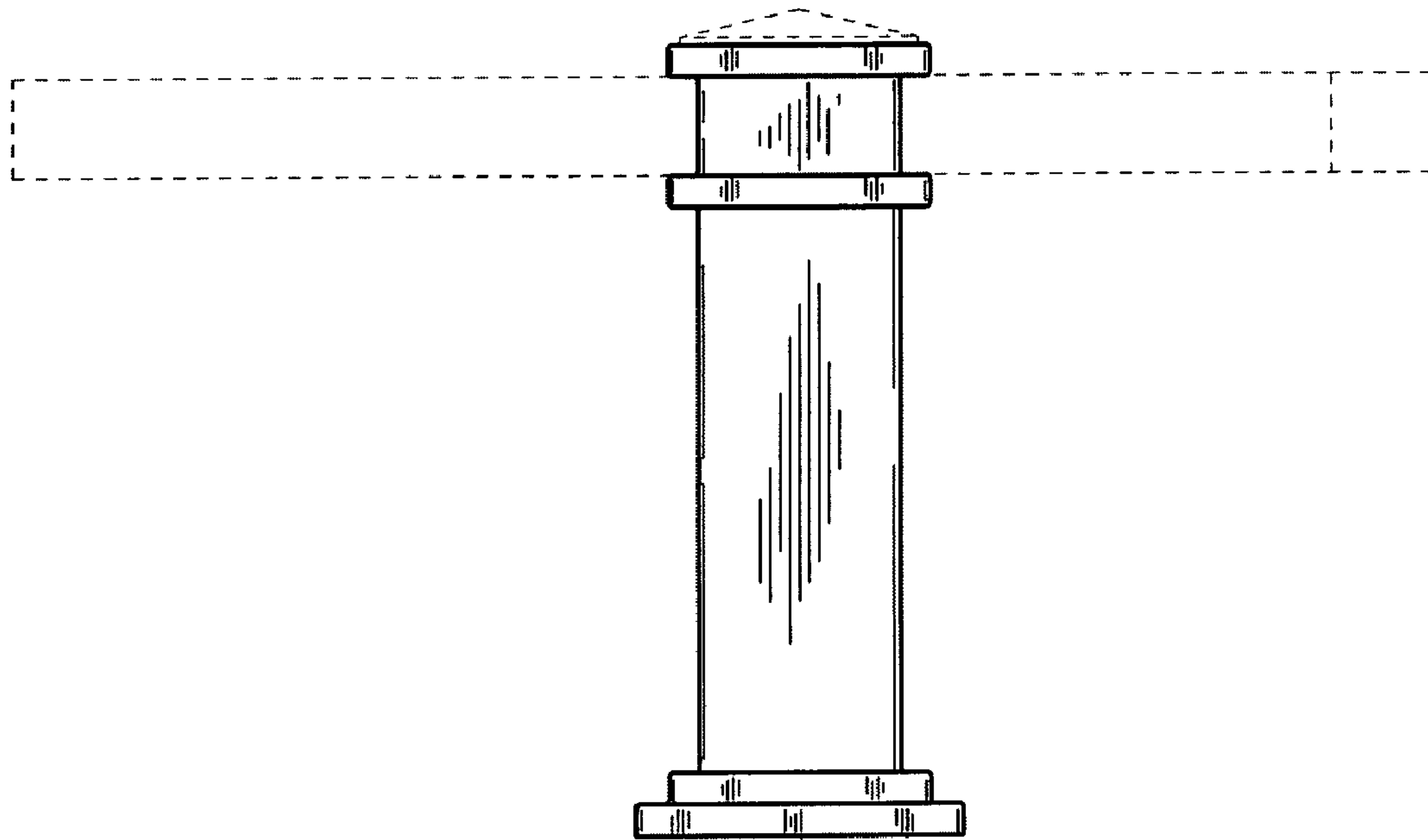


FIG. 2

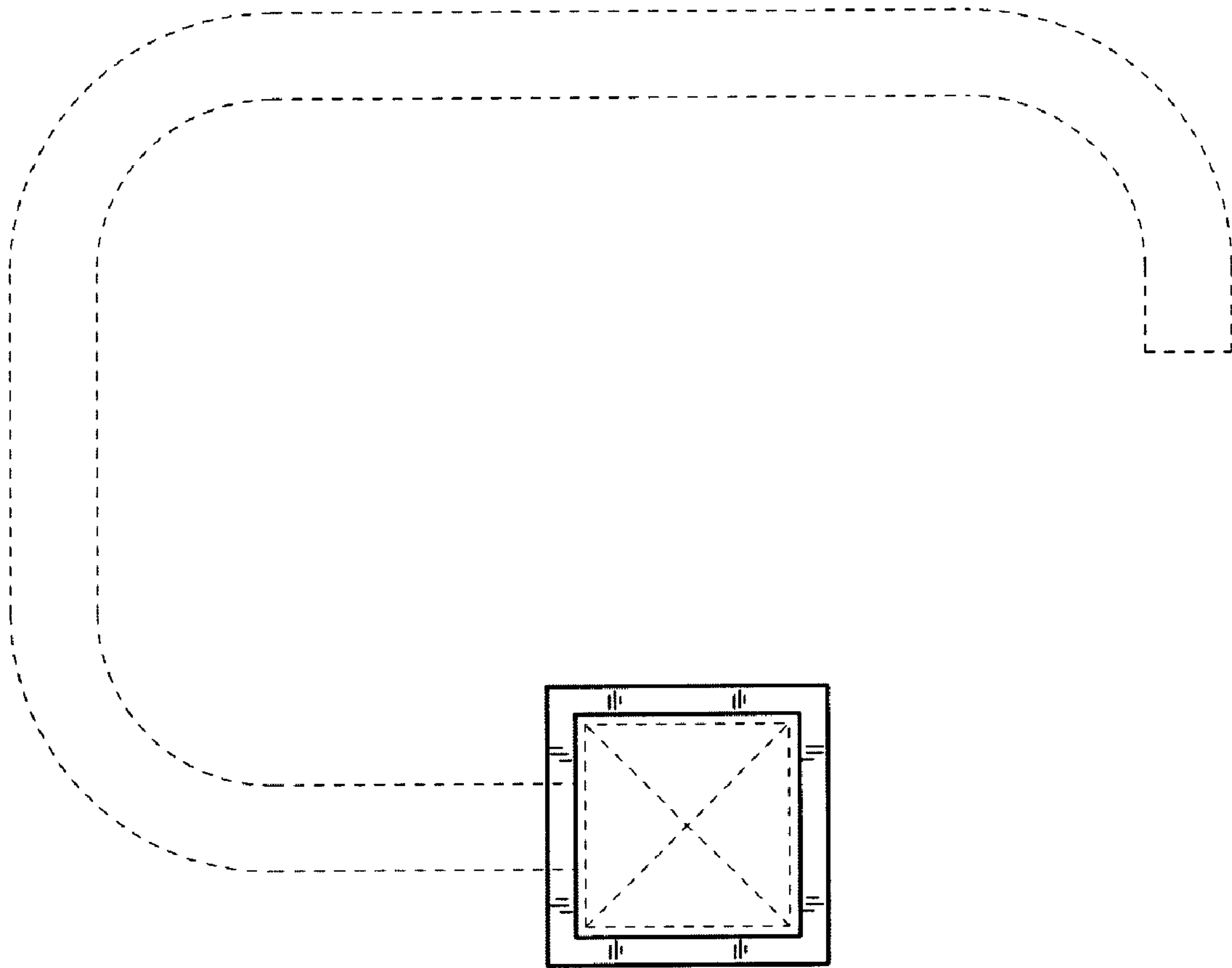


FIG. 3