



US00D579248S

(12) **United States Design Patent**
Goodman et al.

(10) **Patent No.:** **US D579,248 S**
(45) **Date of Patent:** **** Oct. 28, 2008**

(54) **OVER-THE-CABINET-DOOR TOWEL BAR**

D525,061 S * 7/2006 Abdi et al. D6/514
D526,520 S * 8/2006 Clucas D6/514
D543,062 S * 5/2007 Snell D6/514

(75) Inventors: **Sheldon H. Goodman**, Solon, OH (US);
Omer I. Sazir, Cleveland, OH (US)

* cited by examiner

(73) Assignee: **Spectrum Diversified Designs, Inc.**,
Streetsboro, OH (US)

Primary Examiner—Brian N Vinson
(74) *Attorney, Agent, or Firm*—Pearne & Gordon LLP

(**) Term: **14 Years**

(57) **CLAIM**

(21) Appl. No.: **29/317,031**

The ornamental design for an over-the-cabinet-door towel bar, as shown and described.

(22) Filed: **Apr. 22, 2008**

(51) **LOC (8) Cl.** **06-06**

(52) **U.S. Cl.** **D6/513**

(58) **Field of Classification Search** D6/512–514,
D6/570, 315, 574, 320, 548, 549; 211/13.1,
211/34–39, 85.31, 113; 248/309.2

See application file for complete search history.

DESCRIPTION

FIG. 1 is a perspective view of an over-the-cabinet-door towel bar, showing our new design;

FIG. 2 is a front elevational view thereof;

FIG. 3 is a side elevational view thereof;

FIG. 4 is a top plan view thereof;

FIG. 5 is a bottom plan view thereof; and,

FIG. 6 is a rear elevational view thereof.

The dotted-line disclosure of elements in the views is for illustrative purposes only and forms no part of the claimed design.

(56) **References Cited**

U.S. PATENT DOCUMENTS

D263,009 S * 2/1982 O’Keefe D6/523
D354,412 S * 1/1995 Emery D6/548
D403,187 S * 12/1998 Klein et al. D6/513
D471,747 S * 3/2003 Kollner D6/513
D499,286 S * 12/2004 Harwanko D6/514

1 Claim, 3 Drawing Sheets

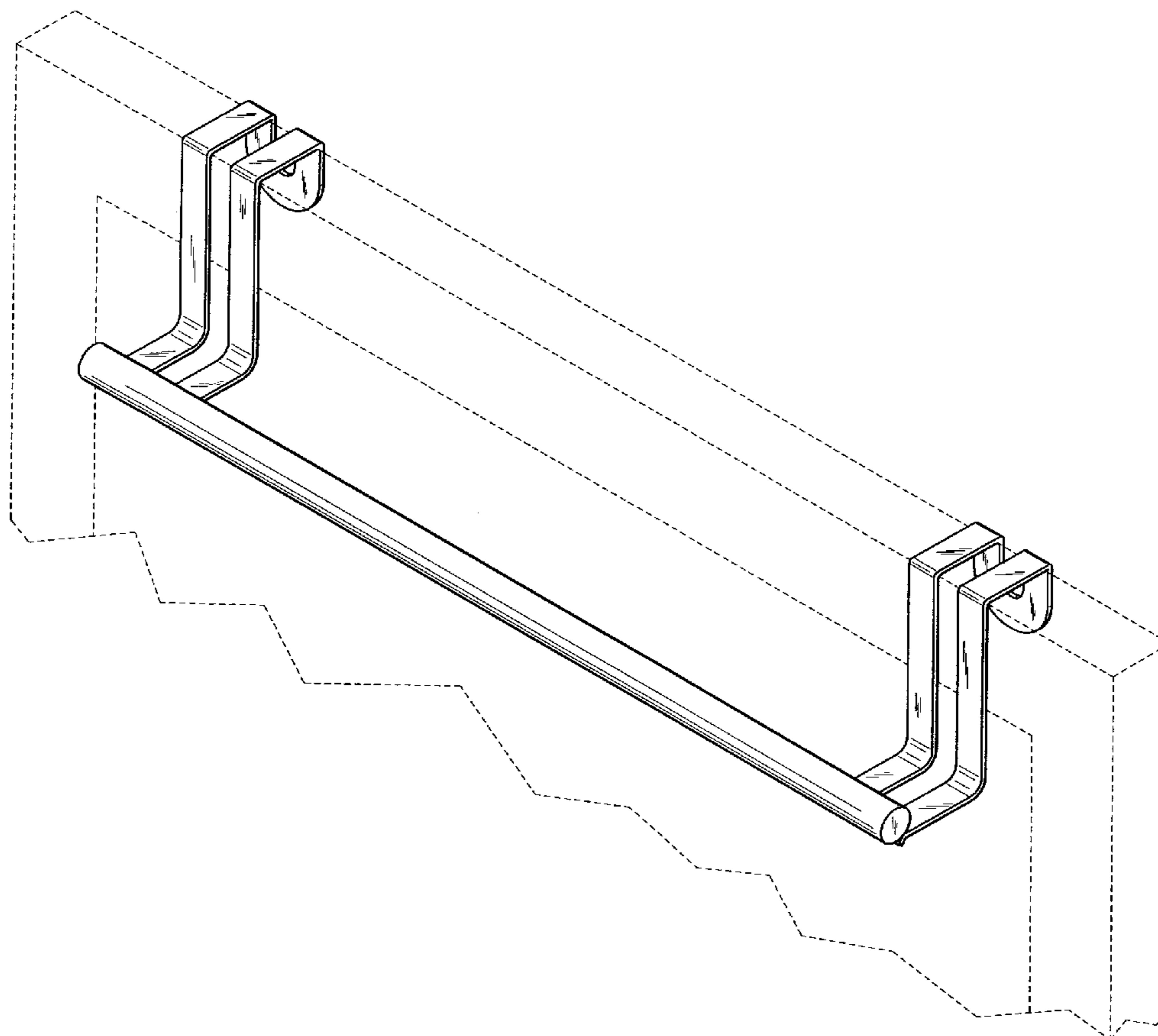
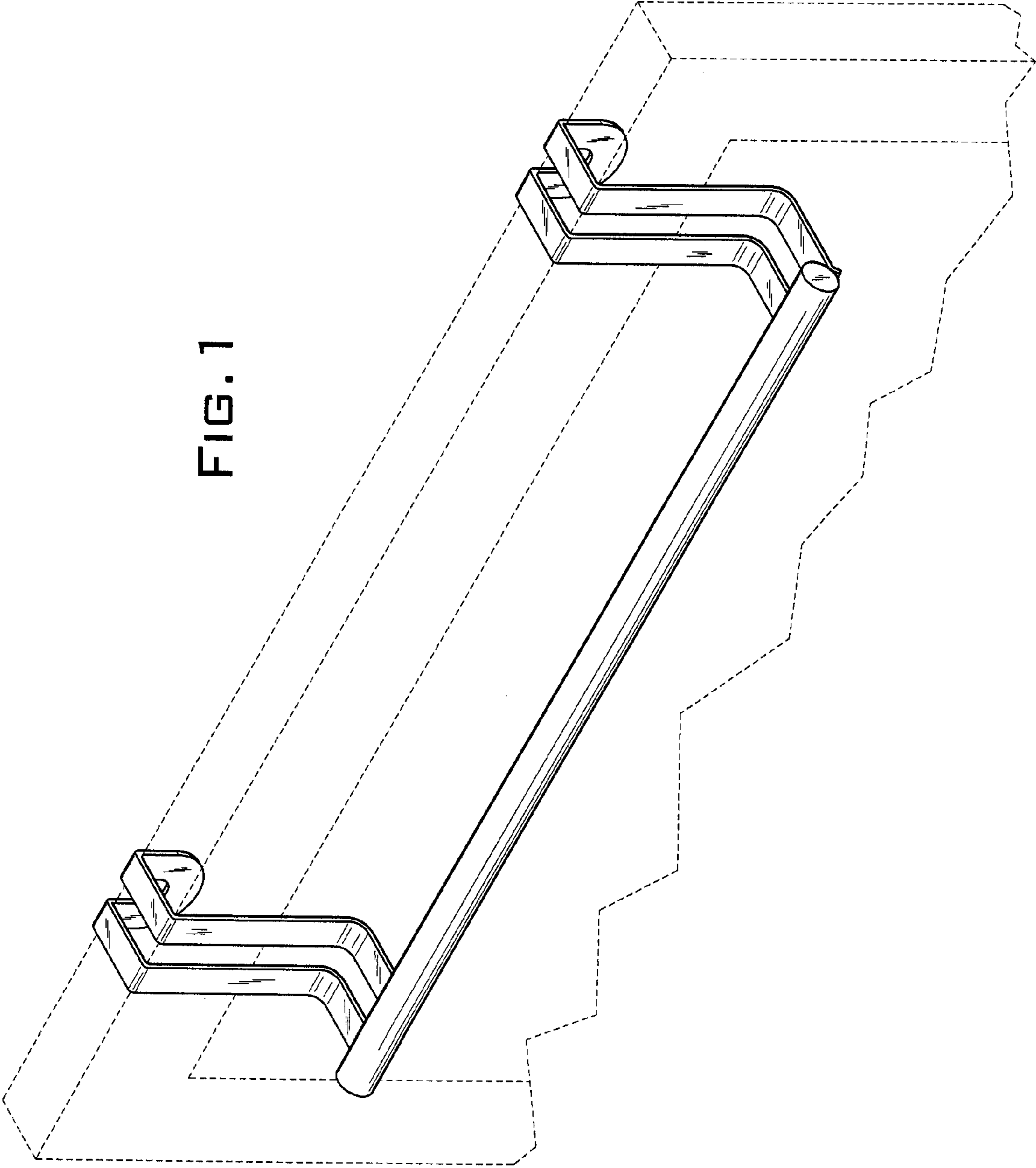


FIG. 1



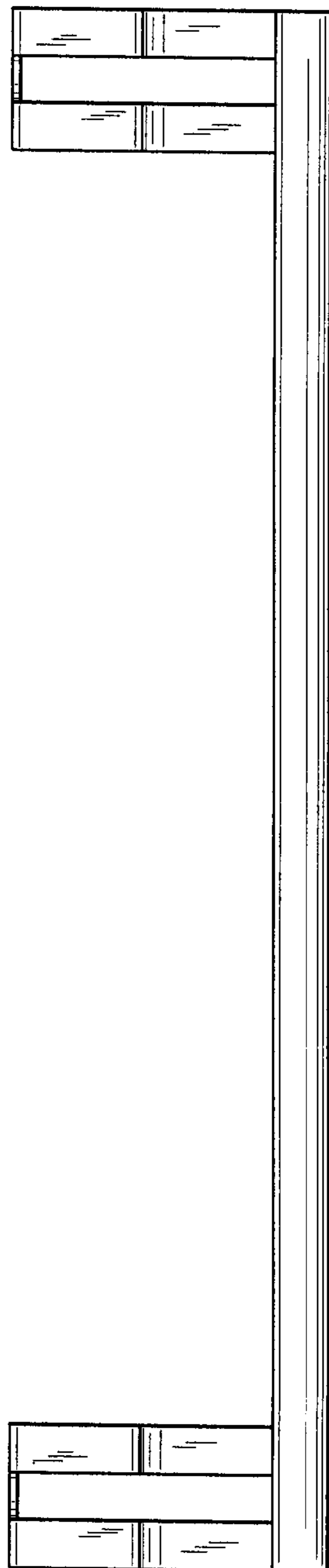


FIG. 4

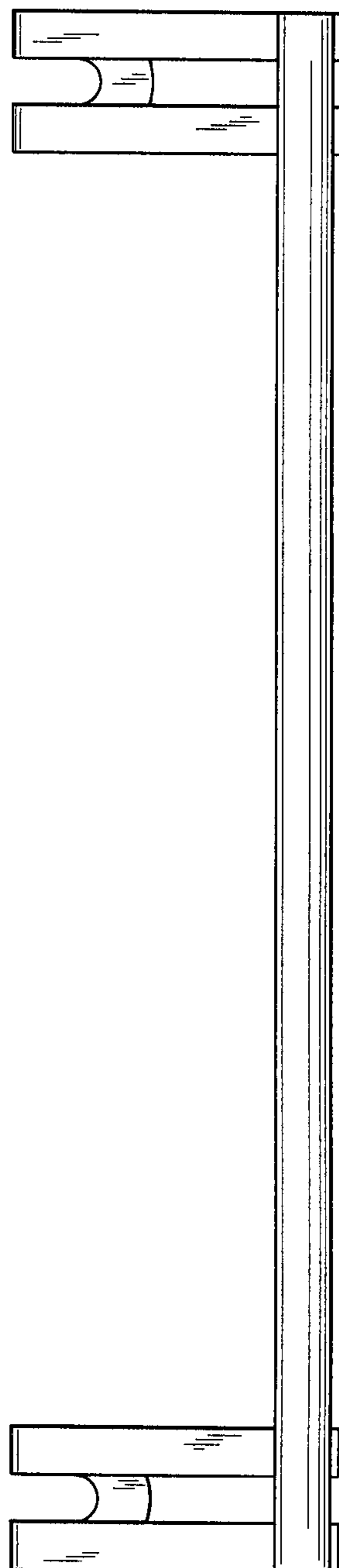


FIG. 2

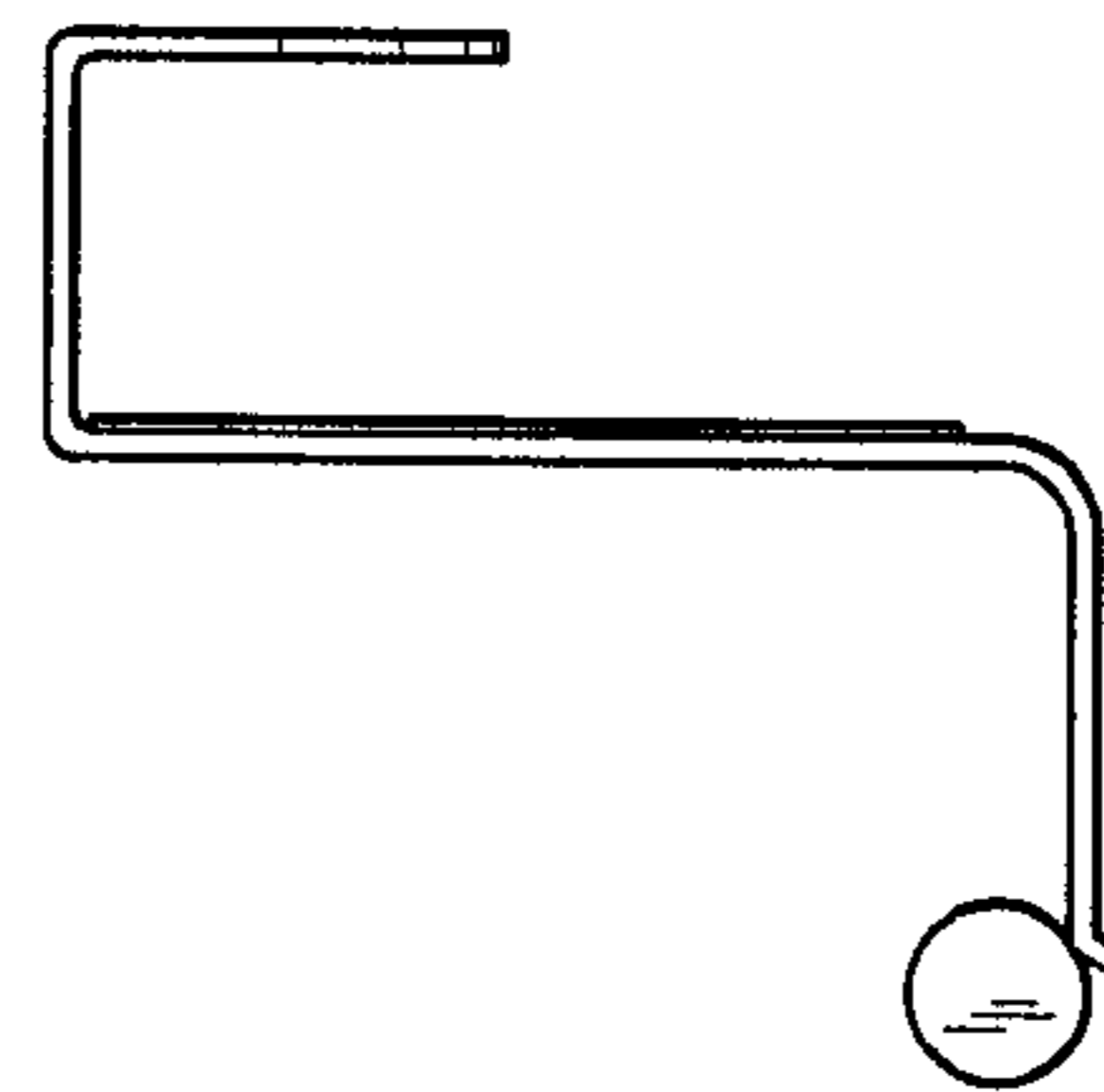


FIG. 3

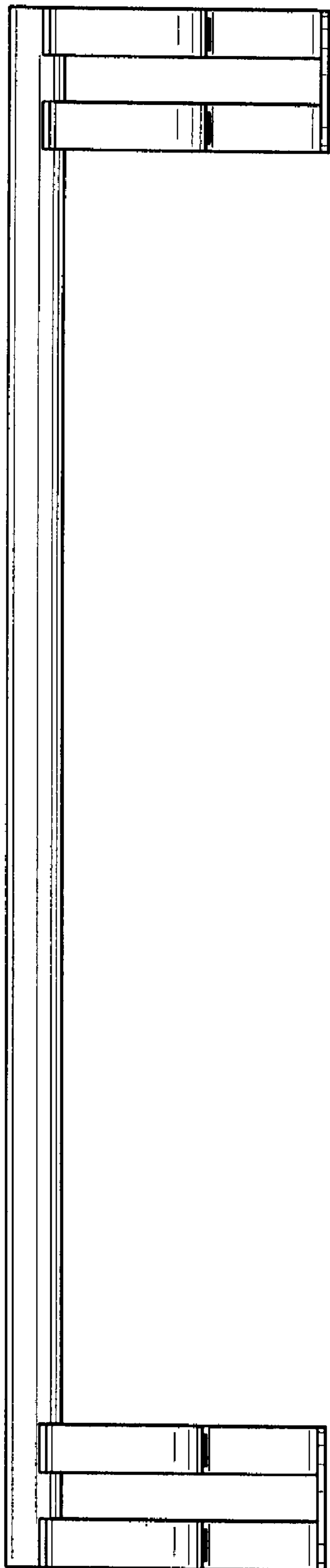


FIG. 5

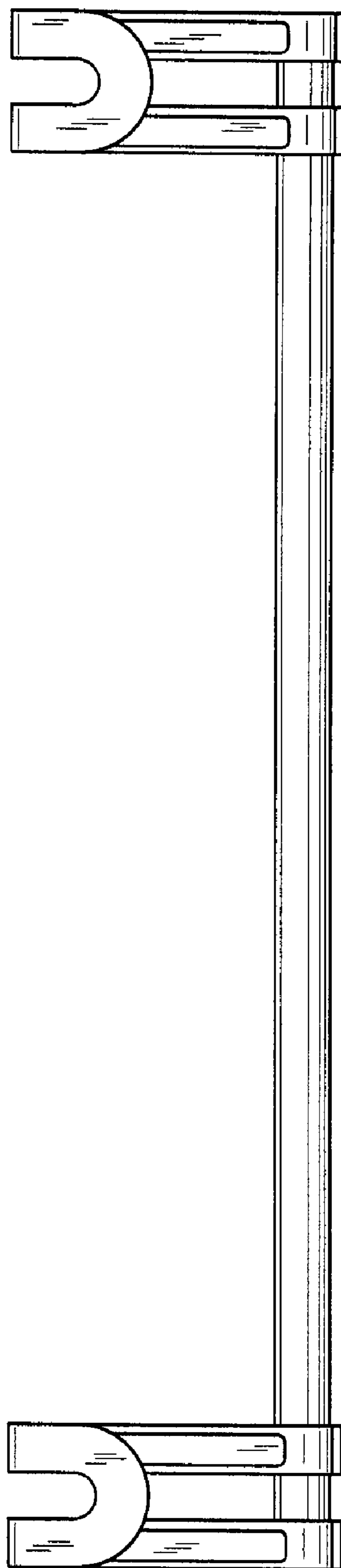


FIG. 6