



US00D579247S

(12) **United States Design Patent**
Heroux

(10) **Patent No.:** **US D579,247 S**
(45) **Date of Patent:** **** Oct. 28, 2008**

(54) **COLLAPSIBLE OVER THE DOOR RACK**

D543,062 S * 5/2007 Snell D6/514

(75) Inventor: **Steve Heroux**, South Burlington, VT
(US)

* cited by examiner

Primary Examiner—Brian N Vinson

(73) Assignee: **Hip Innovations, LLC**, Williston, VT
(US)

(57) **CLAIM**

The ornamental design for a collapsible over the door rack, as shown and described.

(**) Term: **14 Years**

(21) Appl. No.: **29/307,730**

DESCRIPTION

(22) Filed: **May 8, 2008**

(51) **LOC (8) Cl.** **06-06**

(52) **U.S. Cl.** **D6/513**

(58) **Field of Classification Search** D6/512–514,
D6/570, 315, 574, 320, 548, 549; 211/13.1,
211/34–39, 85.31, 113; 248/309.2
See application file for complete search history.

FIG. 1 is an expanded perspective view thereof;
FIG. 2 is an expanded top view thereof;
FIG. 3 is an expanded front view thereof;
FIG. 4 is an expanded bottom view thereof;
FIG. 5 is an expanded side view thereof;
FIG. 6 is a collapsed inside perspective view thereof;
FIG. 7 is a collapsed inside top view thereof;
FIG. 8 is a collapsed inside front view thereof;
FIG. 9 is a collapsed inside bottom view thereof;
FIG. 10 is a collapsed inside side view thereof;
FIG. 11 is a collapsed hanging perspective view thereof;
FIG. 12 is a collapsed hanging top view thereof; and,
FIG. 13 is a collapsed hanging front view thereof.

(56) **References Cited**

U.S. PATENT DOCUMENTS

D263,009 S *	2/1982	O'Keefe	D6/523
D354,412 S *	1/1995	Emery	D6/548
D403,187 S *	12/1998	Klein et al.	D6/513
D471,747 S *	3/2003	Kollner	D6/513
D499,286 S *	12/2004	Harwanko	D6/514
D525,061 S *	7/2006	Abdi et al.	D6/514
D526,520 S *	8/2006	Clucas	D6/514

1 Claim, 13 Drawing Sheets

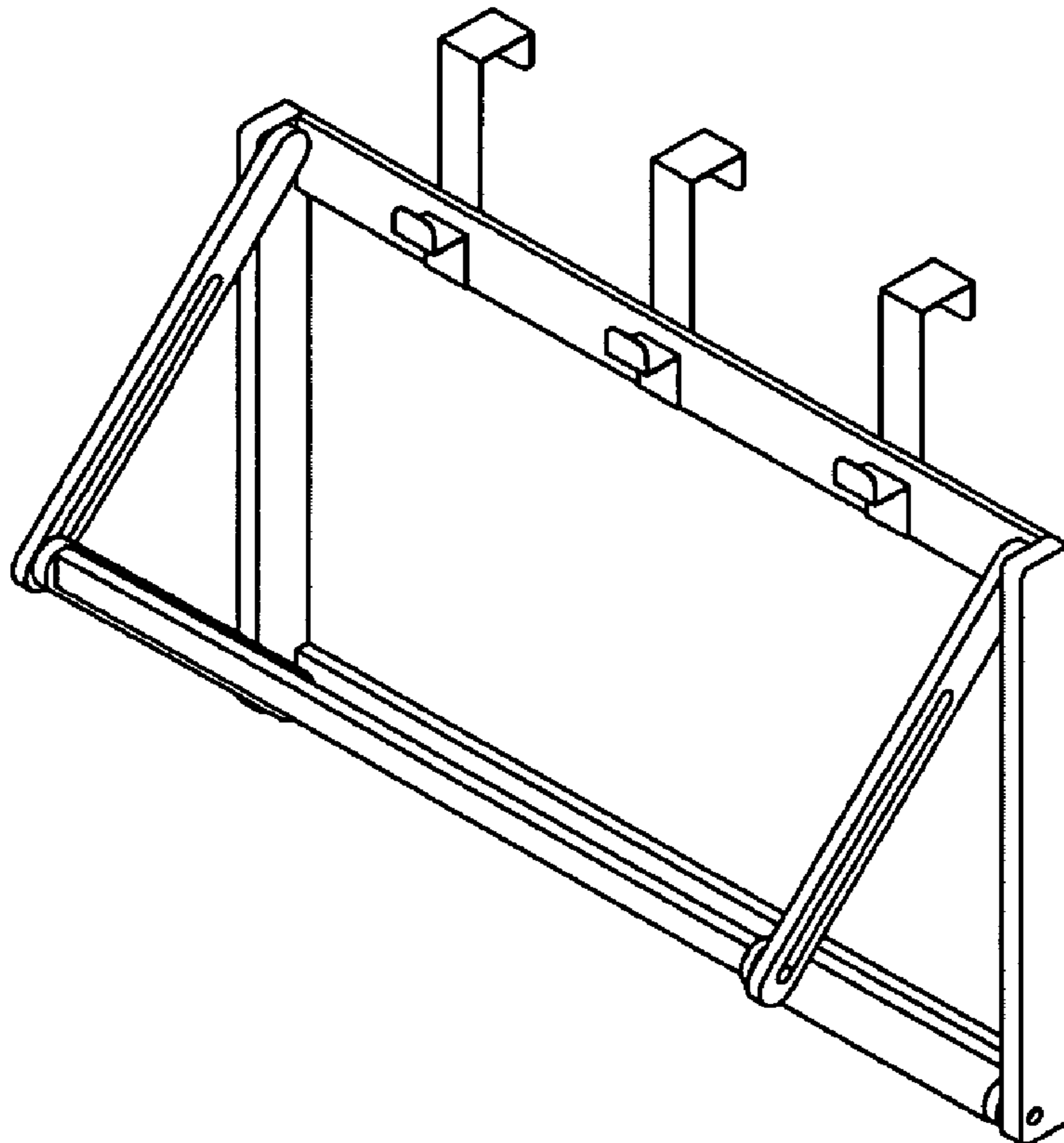


FIG. 1

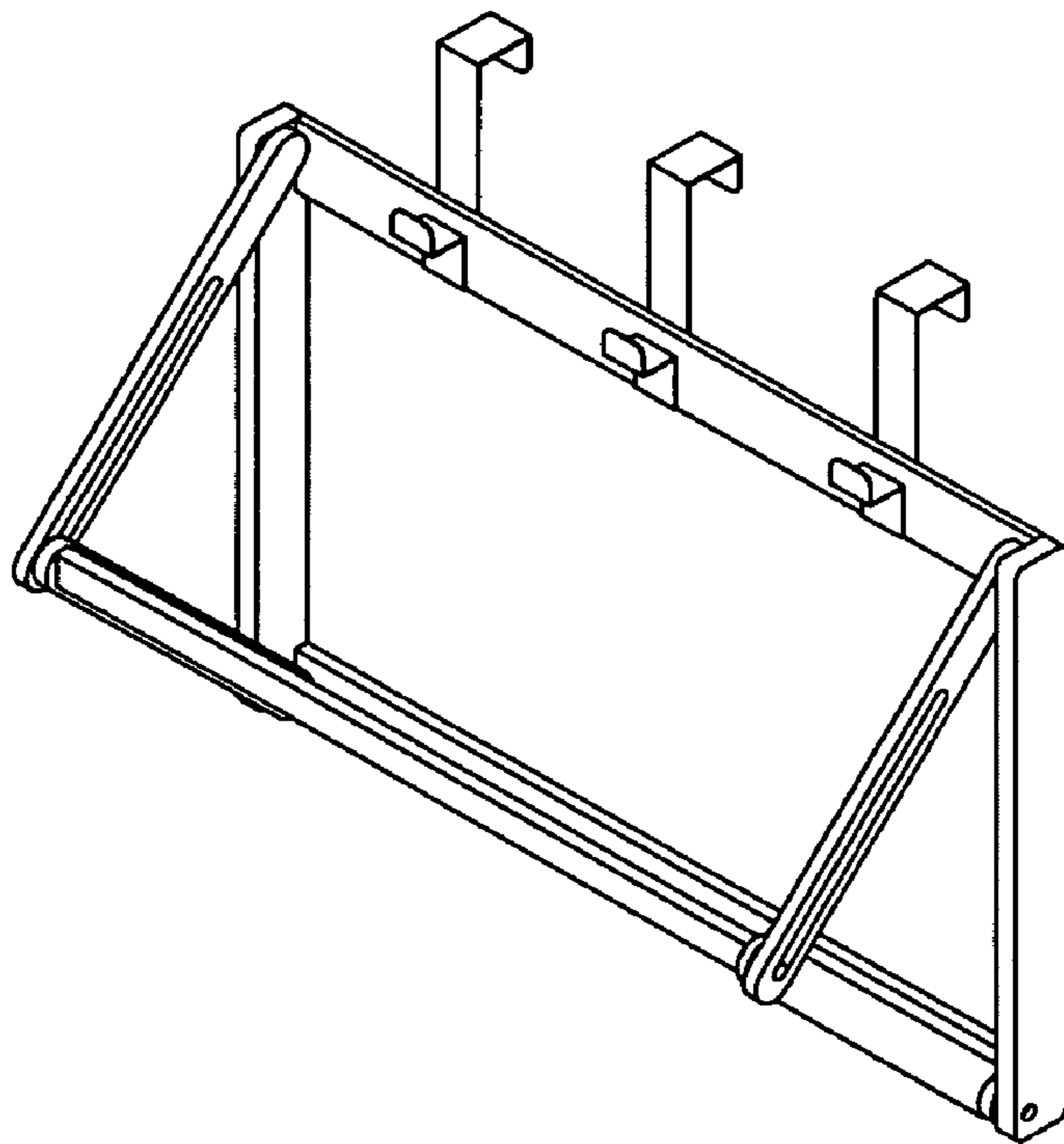


FIG. 2

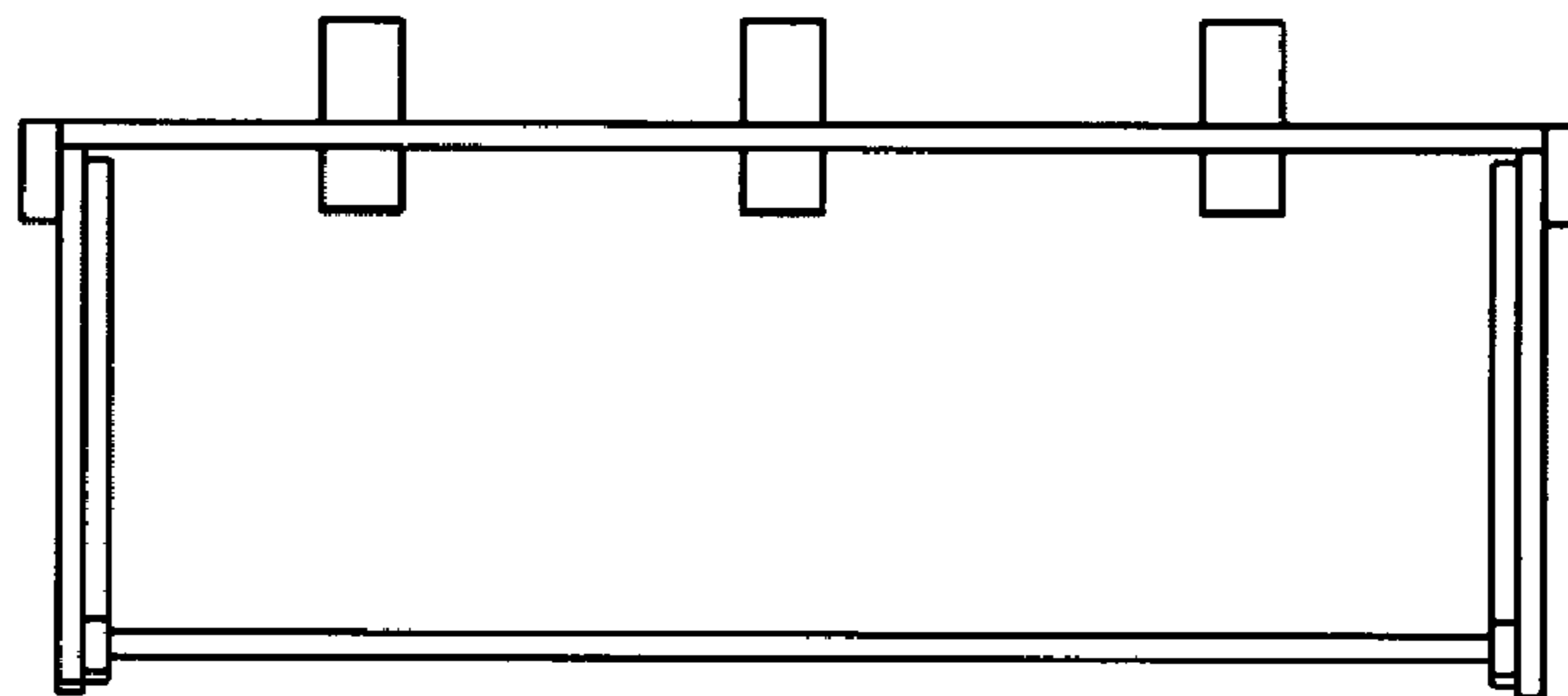


FIG. 3

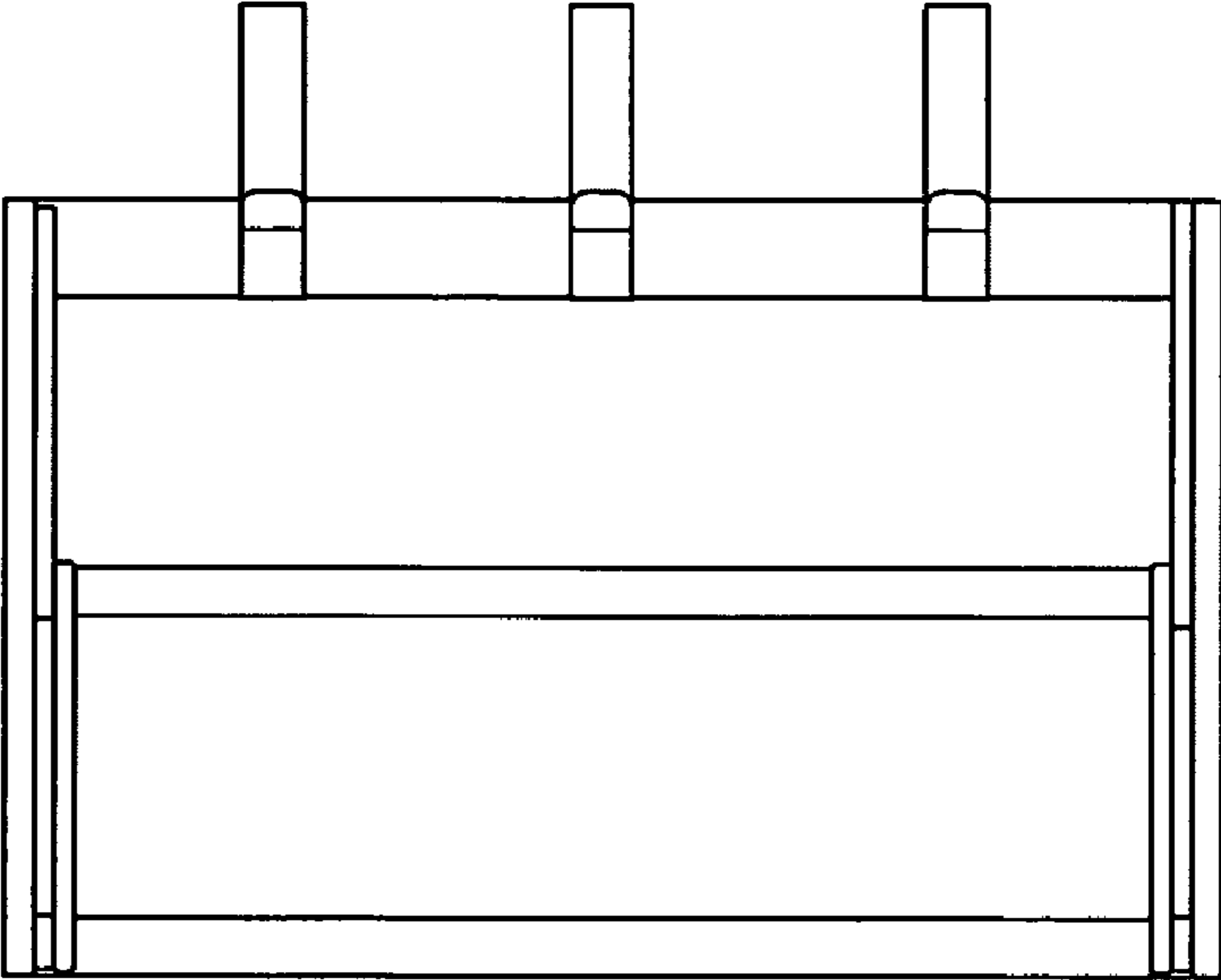


FIG. 4

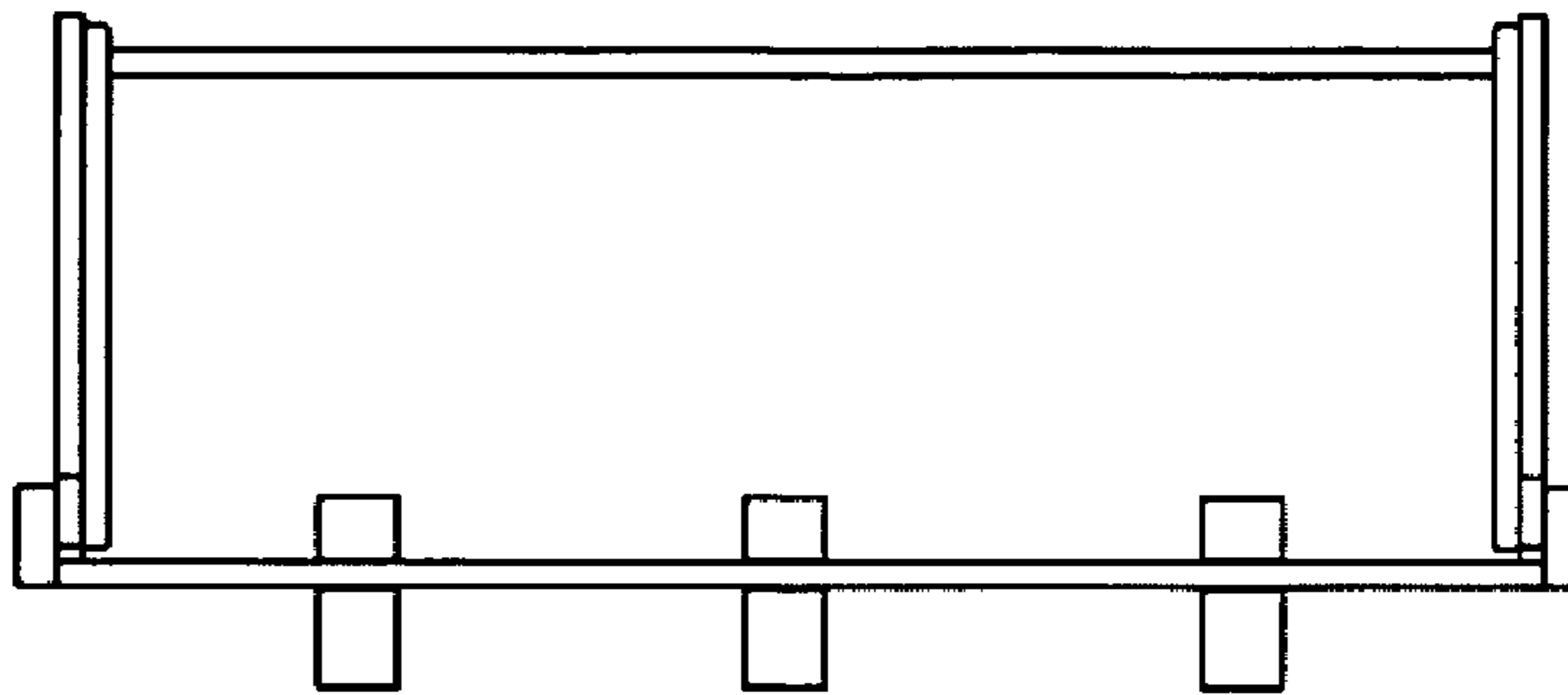


FIG. 5

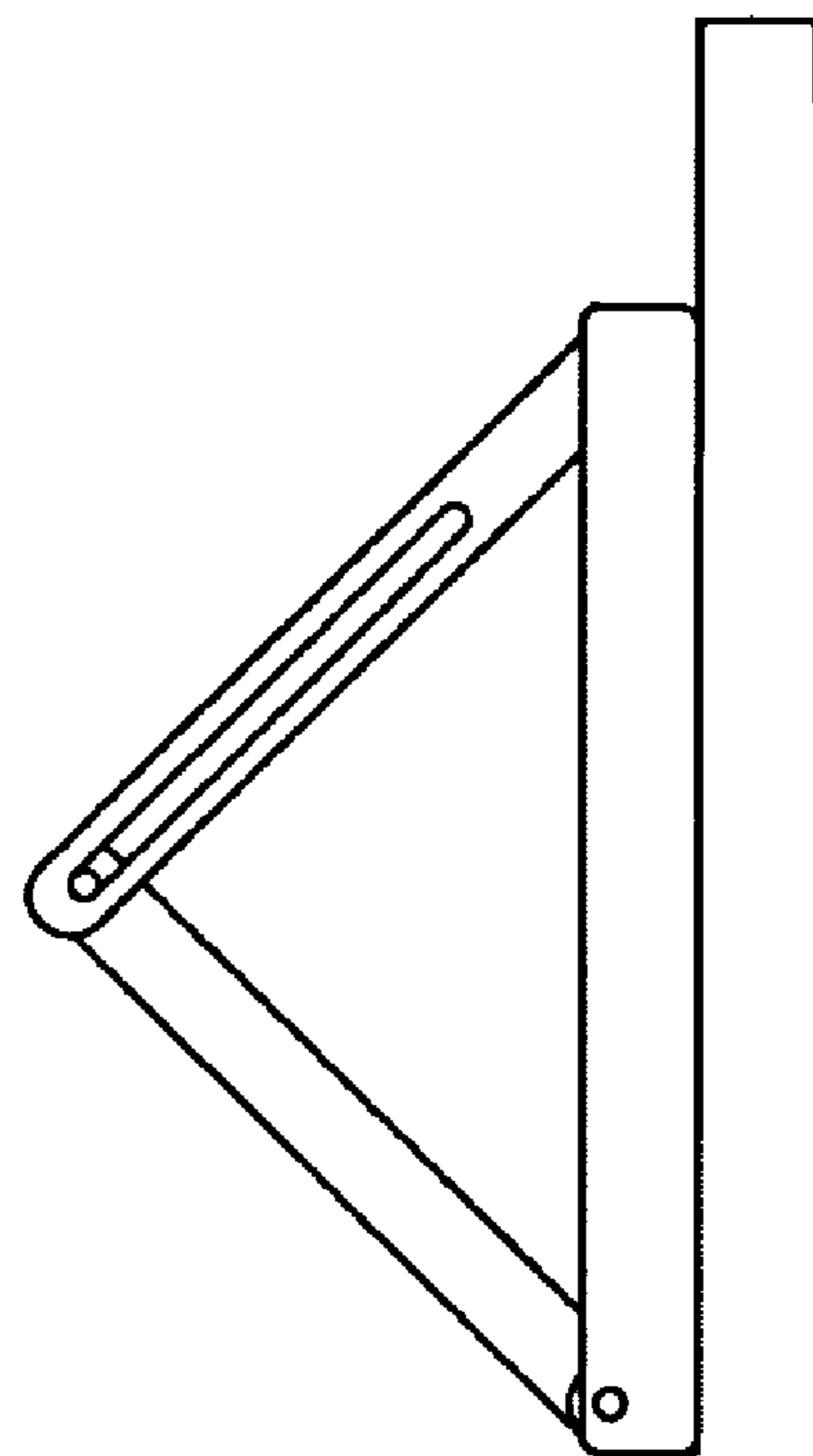


FIG. 6

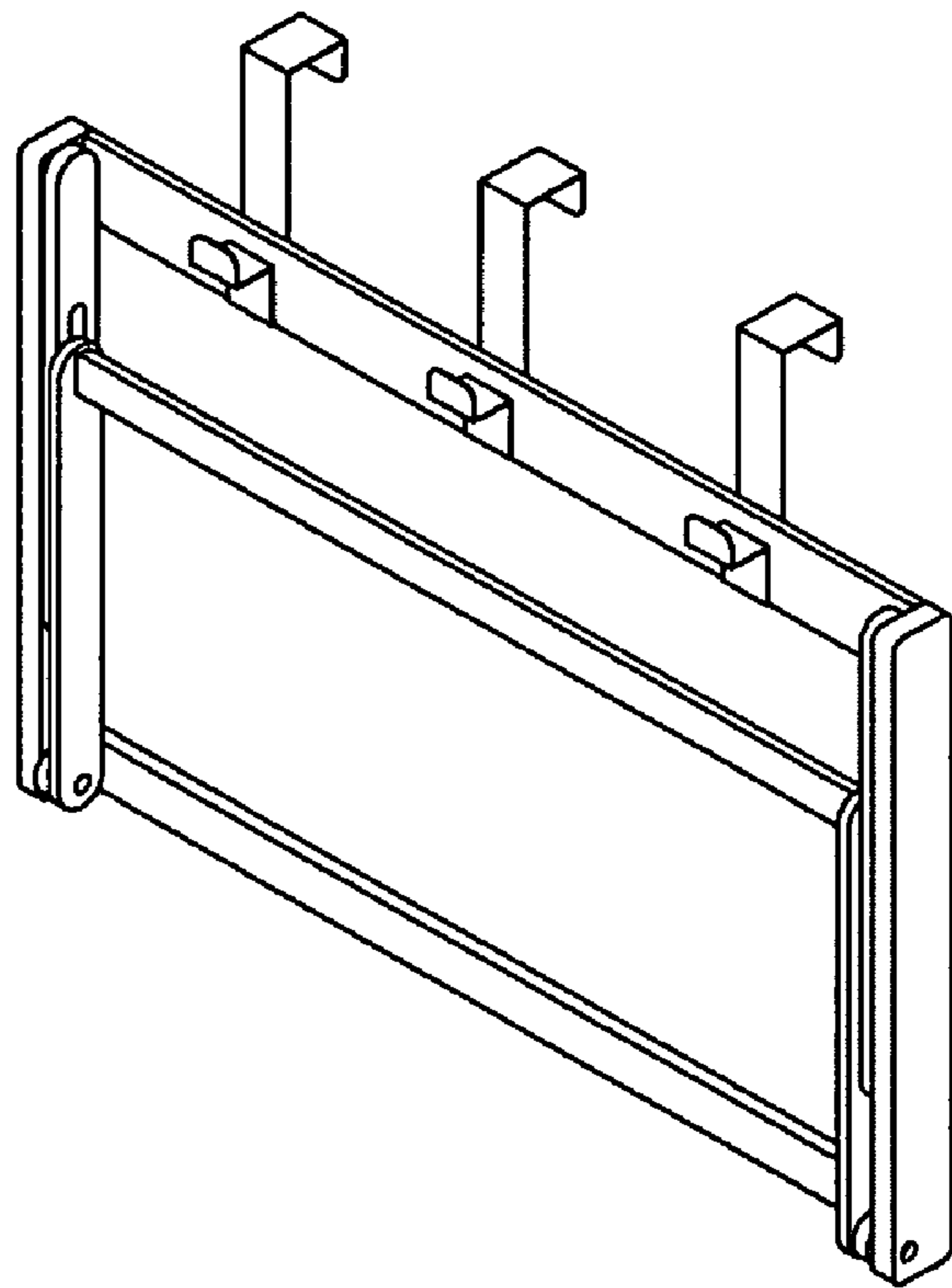


FIG. 7

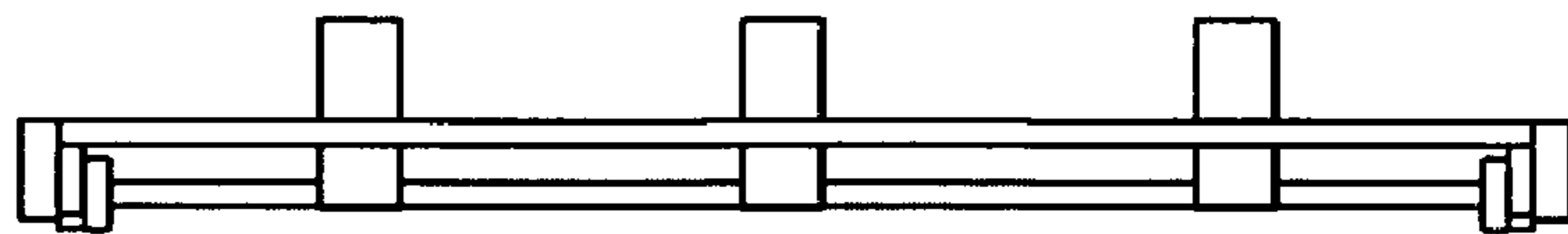


FIG. 8

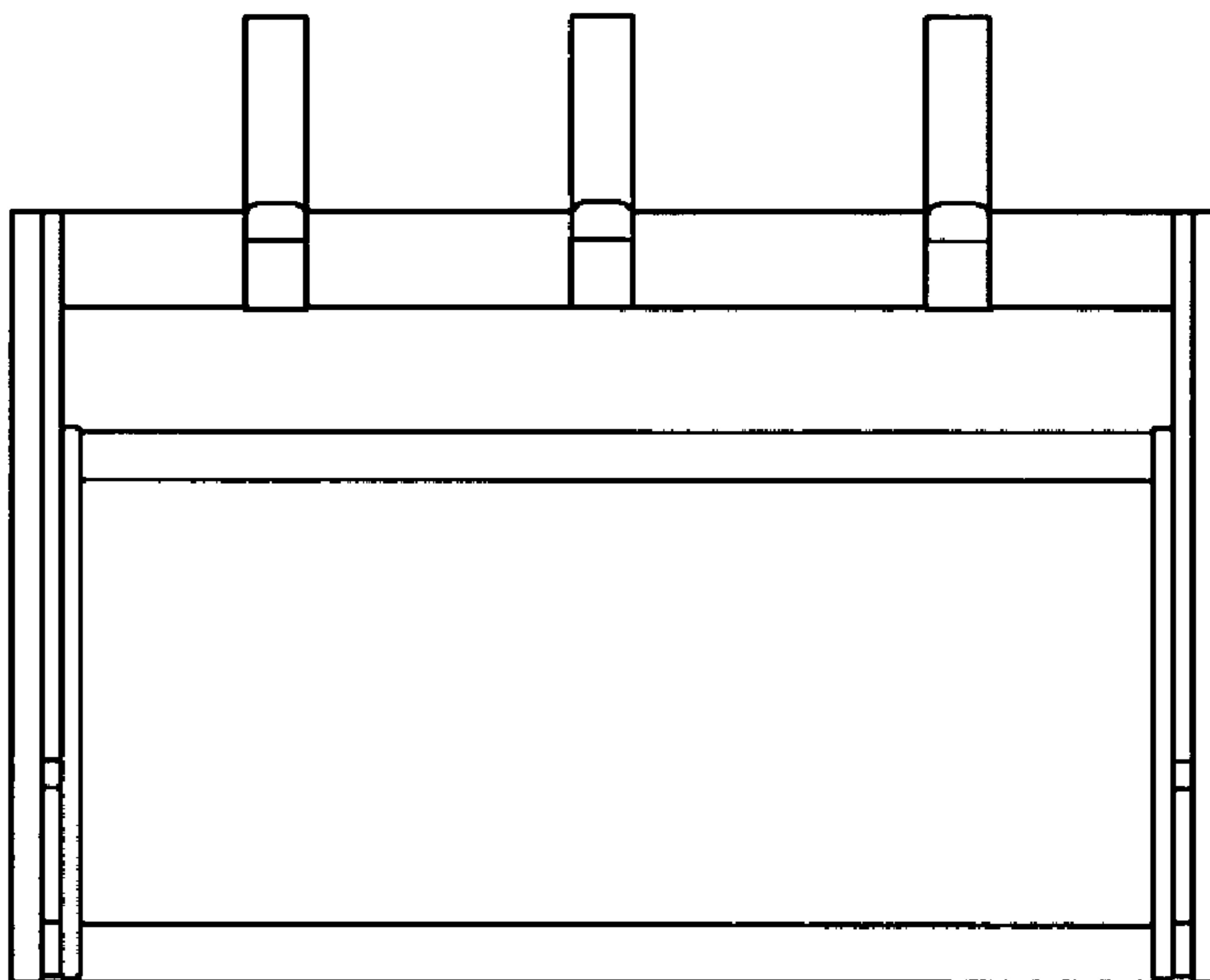


FIG. 9

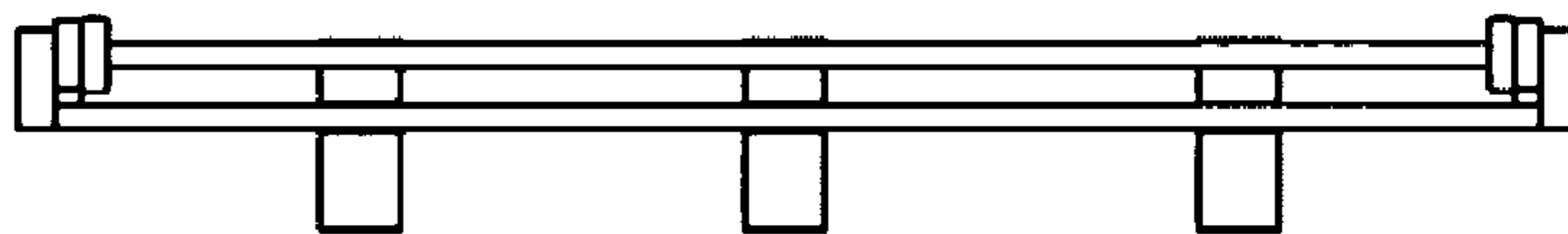


FIG. 10

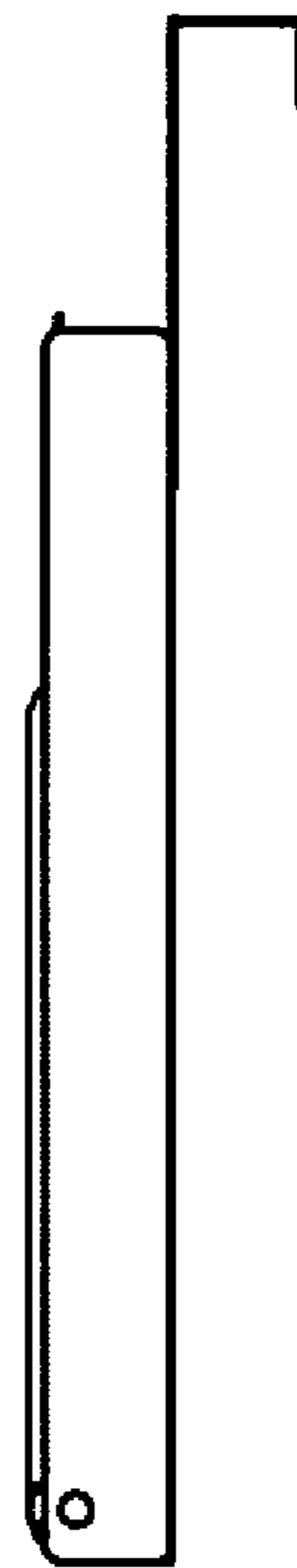


FIG. 11

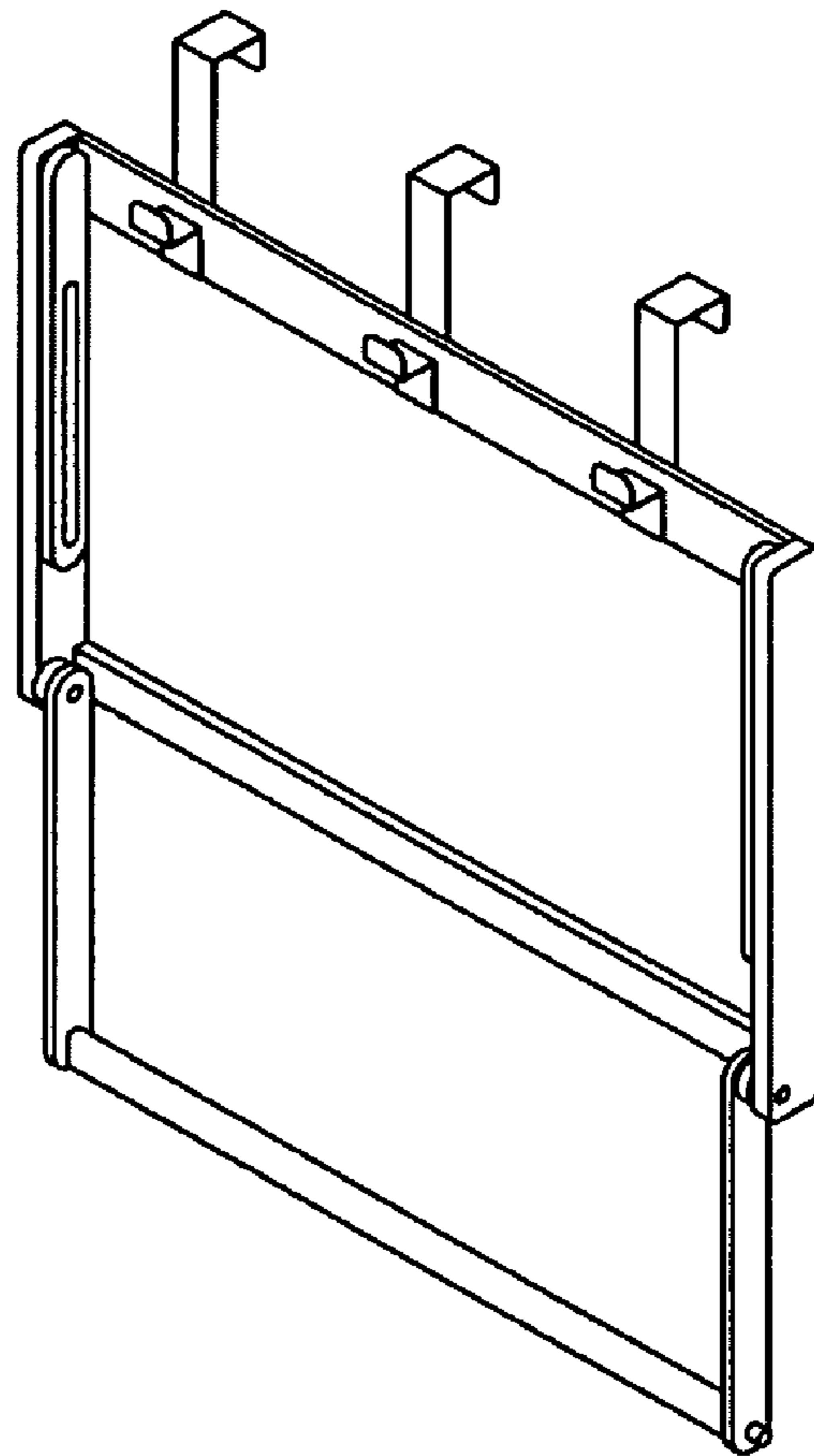


FIG. 12

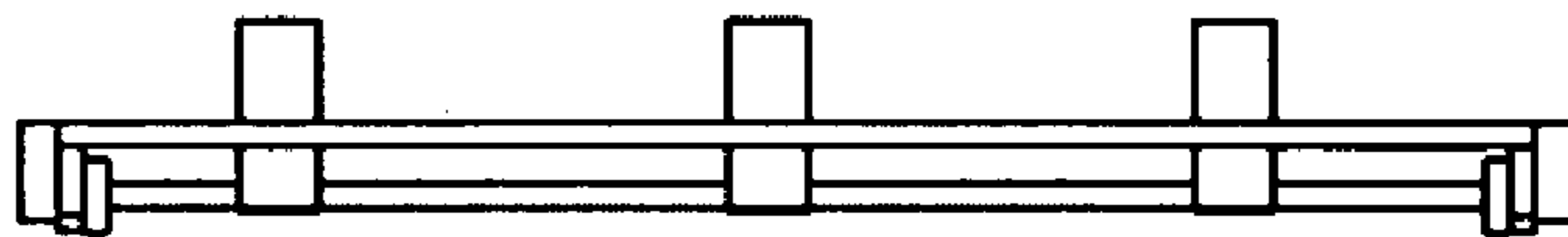


FIG. 13

