



US00D579240S

(12) **United States Design Patent**
Magnusson

(10) **Patent No.:** **US D579,240 S**

(45) **Date of Patent:** **** Oct. 28, 2008**

(54) **TABLE**

(75) Inventor: **Carl Magnusson**, New York, NY (US)

(73) Assignee: **TK Canada Limited**, Downsview, Ontario (CA)

(**) Term: **14 Years**

(21) Appl. No.: **29/272,430**

(22) Filed: **Feb. 8, 2007**

(51) **LOC (8) Cl.** **06-06**

(52) **U.S. Cl.** **D6/491; D6/499**

(58) **Field of Classification Search** D6/480-489,
D6/495-499, 491; 108/157.1, 161, 163.1,
108/155; 248/188, 188.1, 188.8; D25/66,
D25/100

See application file for complete search history.

(56) **References Cited**

U.S. PATENT DOCUMENTS

- 3,592,145 A 7/1971 Petry
- 4,748,913 A 6/1988 Favaretto et al.
- 5,390,803 A 2/1995 McAllister
- 5,560,160 A 10/1996 Vladikovic
- D389,676 S 1/1998 Diaz-Azcuy
- 5,711,230 A 1/1998 Parsons
- D403,898 S 1/1999 Arnegger
- D404,939 S * 2/1999 Frank et al. D6/495

- D461,336 S 8/2002 Slear et al.
- 6,622,876 B2 9/2003 Goldberg
- D498,088 S * 11/2004 Tsang D6/484
- D554,913 S * 11/2007 Magnusson D6/495
- 2005/0144886 A1 7/2005 Holawe

OTHER PUBLICATIONS

Zague Nn Innovation, by J. Strasborg, May 1, 1989 #1025 table at top of page.*

Interior Design Market, Sep. 1987, p. 40, table.*

* cited by examiner

Primary Examiner—Janice E Seeger

(74) *Attorney, Agent, or Firm*—Katten Muchin Rosenman LLP

(57) **CLAIM**

The ornamental design for a table, as shown and described.

DESCRIPTION

FIG. 1 is a bottom perspective view;

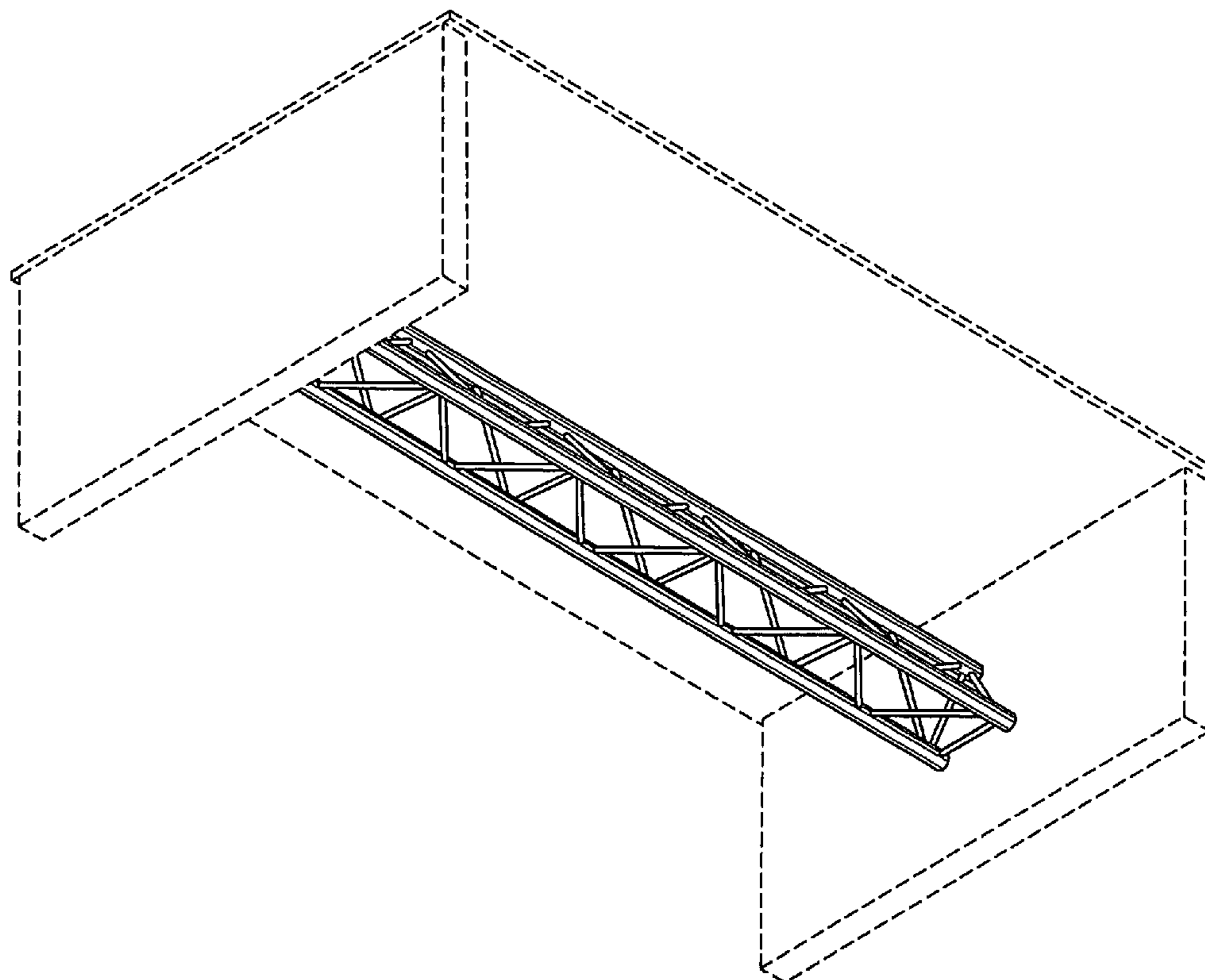
FIG. 2 is a front elevation view;

FIG. 3 is a rear elevation view; and,

FIG. 4 is a bottom plan view.

The portions of the table shown in broken lines are provided for illustration purposes only and form no part of the claimed design.

1 Claim, 3 Drawing Sheets



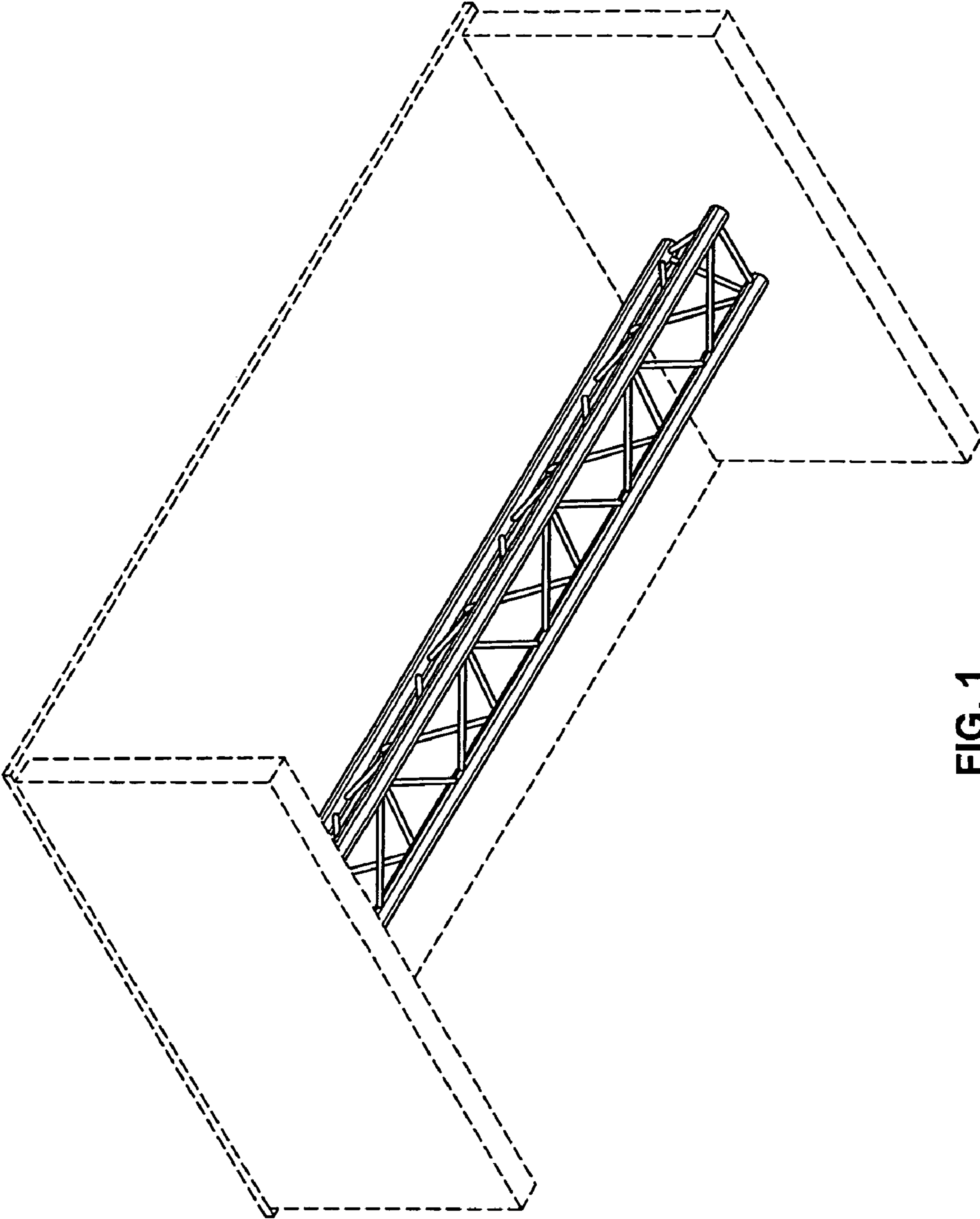


FIG. 1

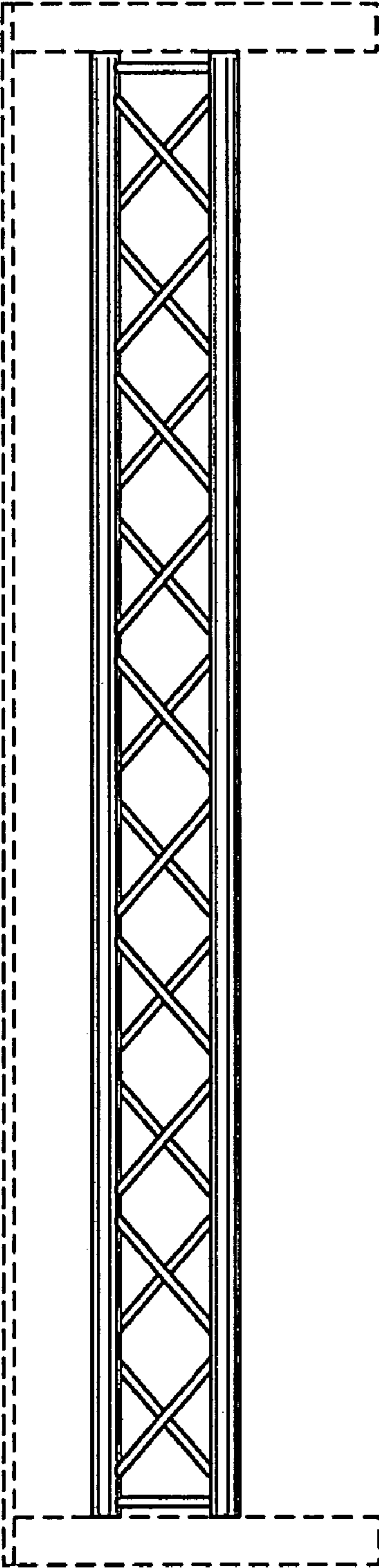


FIG. 2

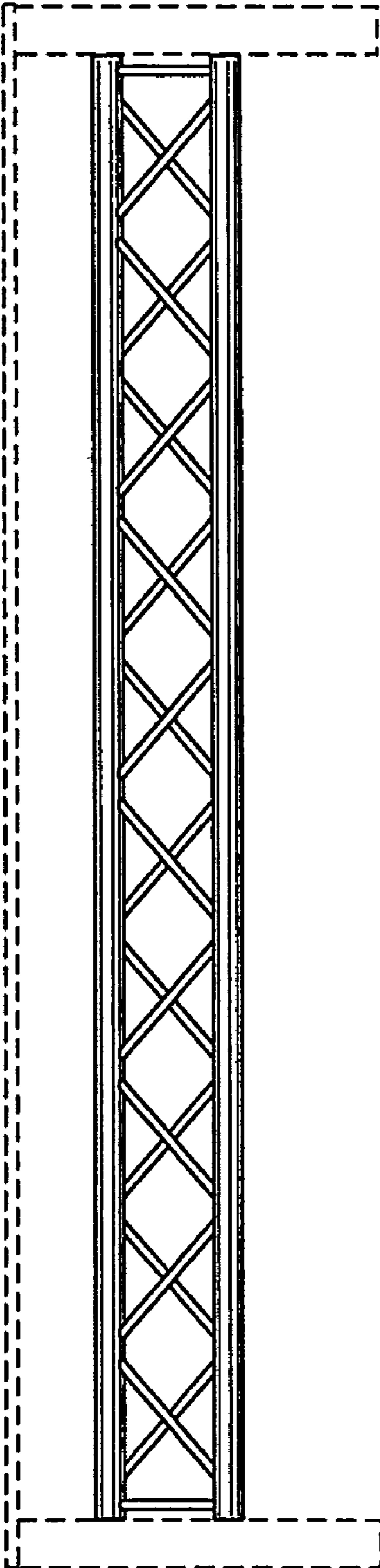


FIG. 3

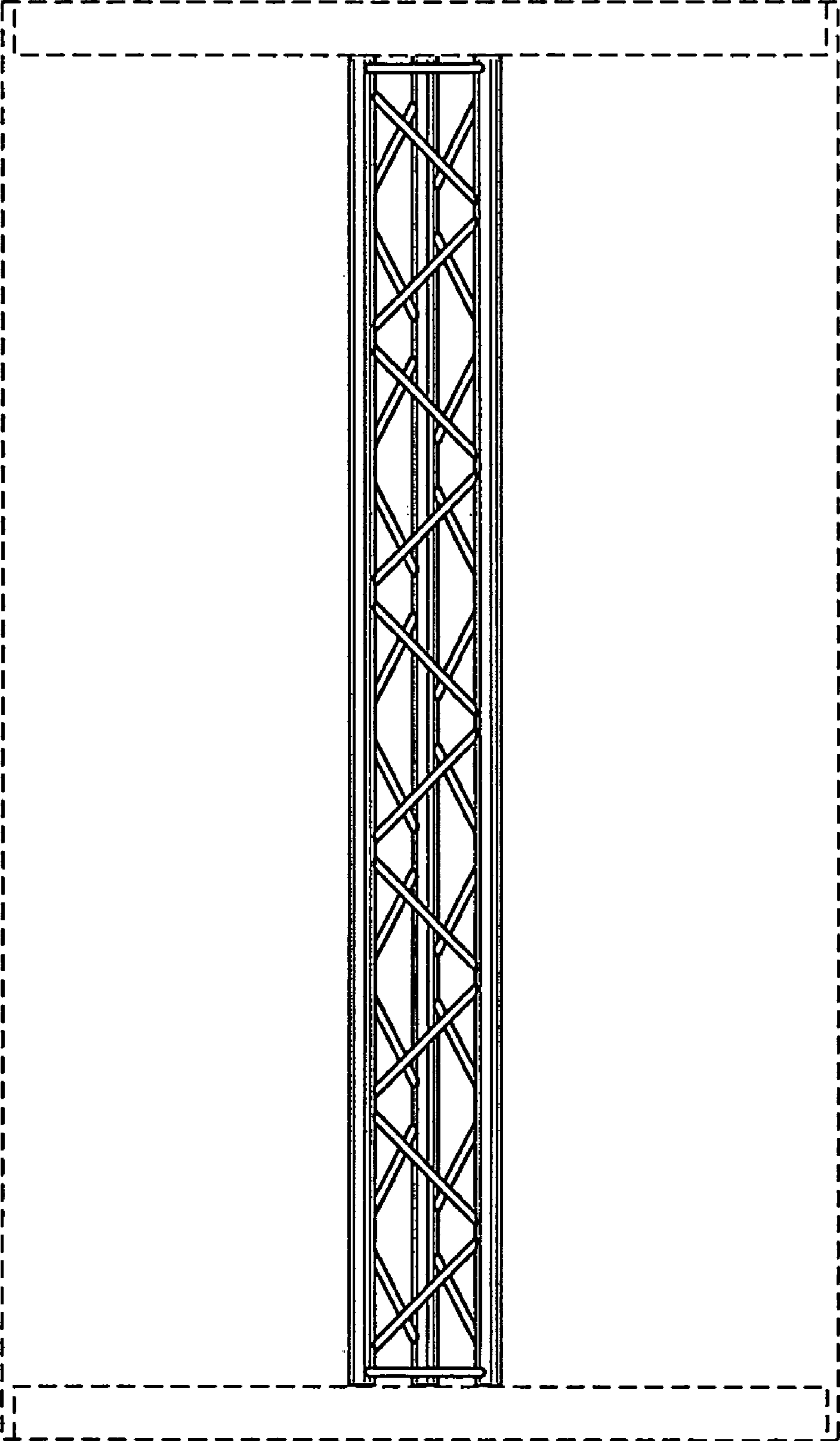


FIG. 4