



US00D579239S

(12) **United States Design Patent**  
**Massaud**

(10) **Patent No.:** **US D579,239 S**  
(45) **Date of Patent:** **\*\* Oct. 28, 2008**

(54) **TABLE**

(75) Inventor: **Jean-Marie Massaud**, Paris (FR)

(73) Assignee: **Arper S.p.A.**, Monastier di Treviso (IT)

(\*\*) Term: **14 Years**

(21) Appl. No.: **29/267,466**

(22) Filed: **Oct. 16, 2006**

(30) **Foreign Application Priority Data**

Apr. 21, 2006 (EM) ..... 000517206

(51) **LOC (8) Cl.** ..... **06-03**

(52) **U.S. Cl.** ..... **D6/486**

(58) **Field of Classification Search** ..... D6/480-489,  
D6/495-499, 349, 429-431; 108/150, 152,  
108/153.1, 156, 161, 157.1, 69, 70, 77  
See application file for complete search history.

(56) **References Cited**

**U.S. PATENT DOCUMENTS**

2,576,287 A \* 11/1951 English ..... 108/78  
3,347,509 A \* 10/1967 Blink et al. .... 248/188.7  
3,994,461 A \* 11/1976 Dorantes ..... 248/188.7

D290,318 S \* 6/1987 Berry, Jr. .... D6/486  
D326,572 S \* 6/1992 Mackie ..... D6/451  
D386,022 S \* 11/1997 Bennett ..... D6/486  
D466,727 S \* 12/2002 Abboud et al. .... D6/486  
D495,173 S \* 8/2004 Heisey et al. .... D6/511

\* cited by examiner

*Primary Examiner*—Janice E Seeger

(74) *Attorney, Agent, or Firm*—Scully, Scott, Murphy & Presser, P.C.

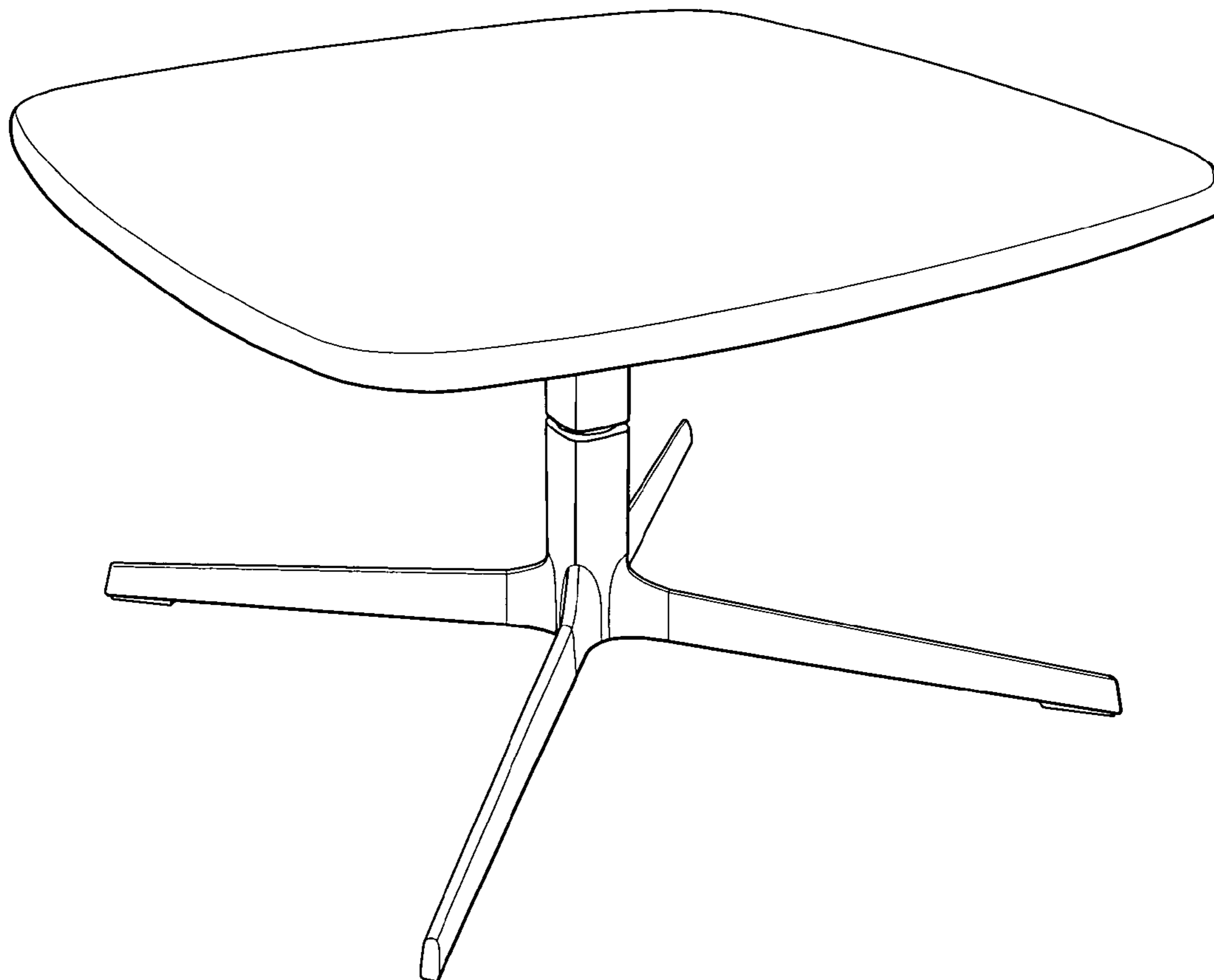
(57) **CLAIM**

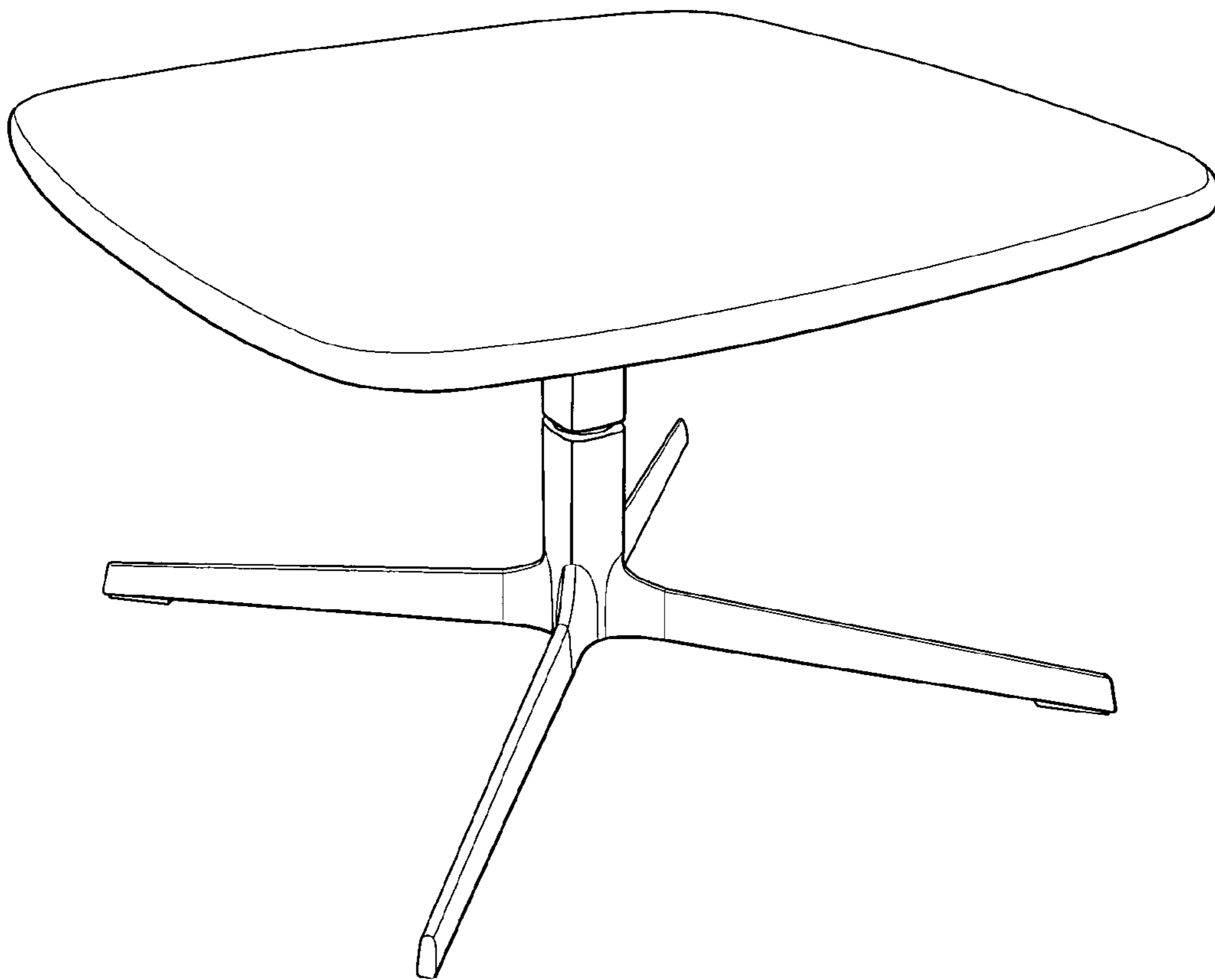
The ornamental design for a “table”, as shown and described.

**DESCRIPTION**

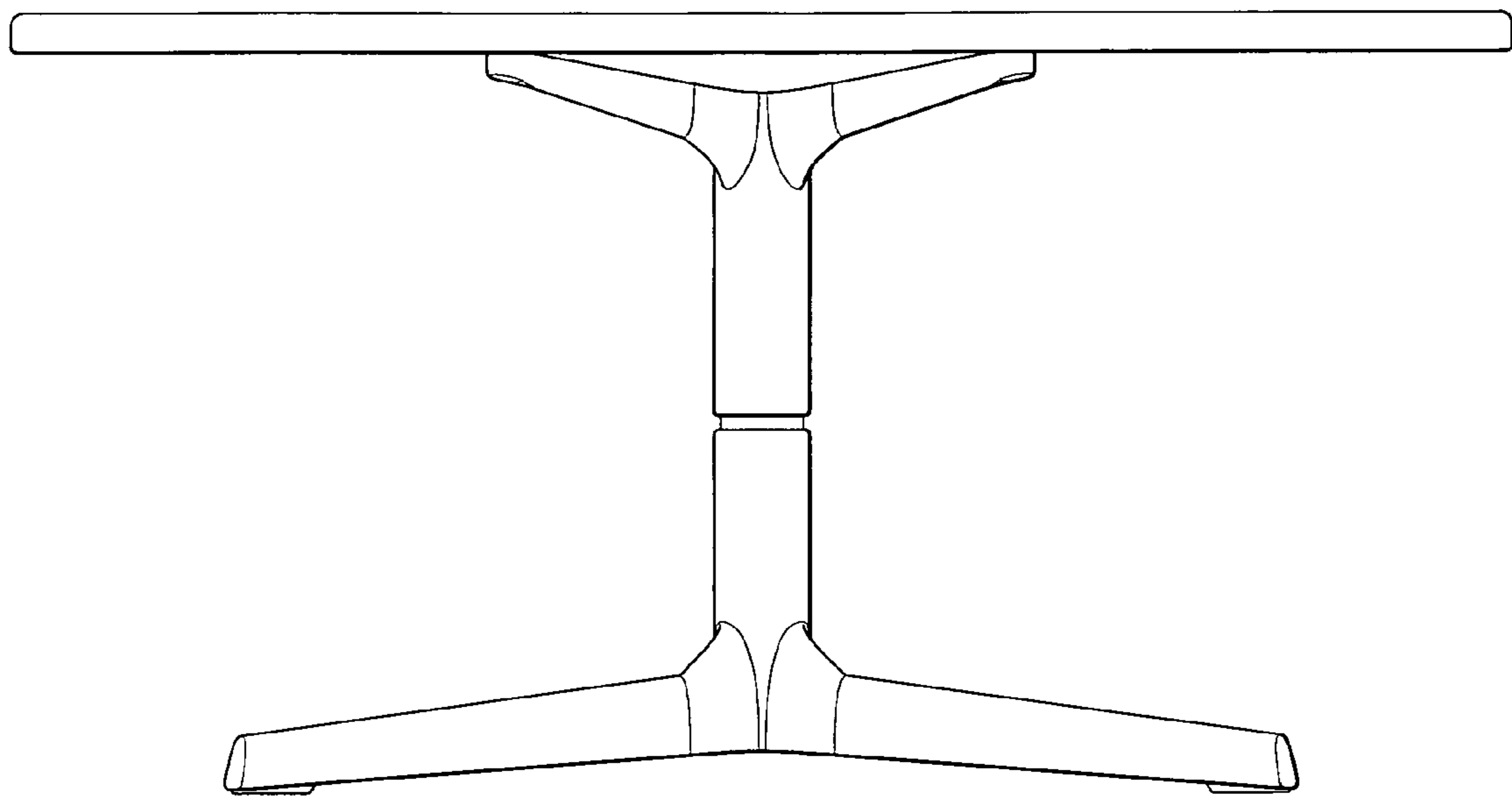
FIG. 1 is a perspective view, showing my new design;  
FIG. 2 is a front view thereof;  
FIG. 3 is a rear view thereof;  
FIG. 4 is a plan view from above thereof;  
FIG. 5 is a plan view from below thereof;  
FIG. 6 is a left side view thereof; and,  
FIG. 7 is a right side view thereof.

**1 Claim, 7 Drawing Sheets**

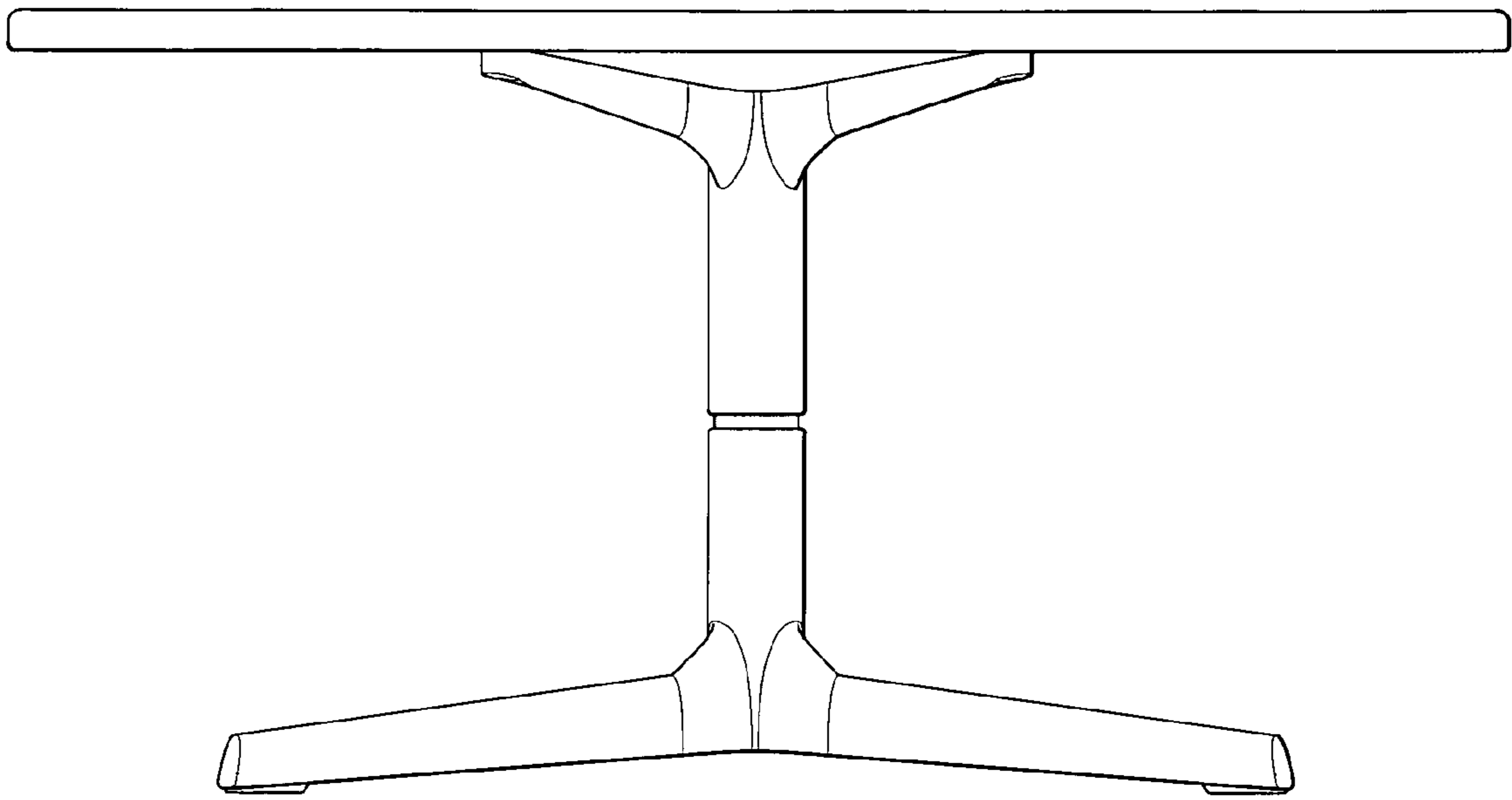




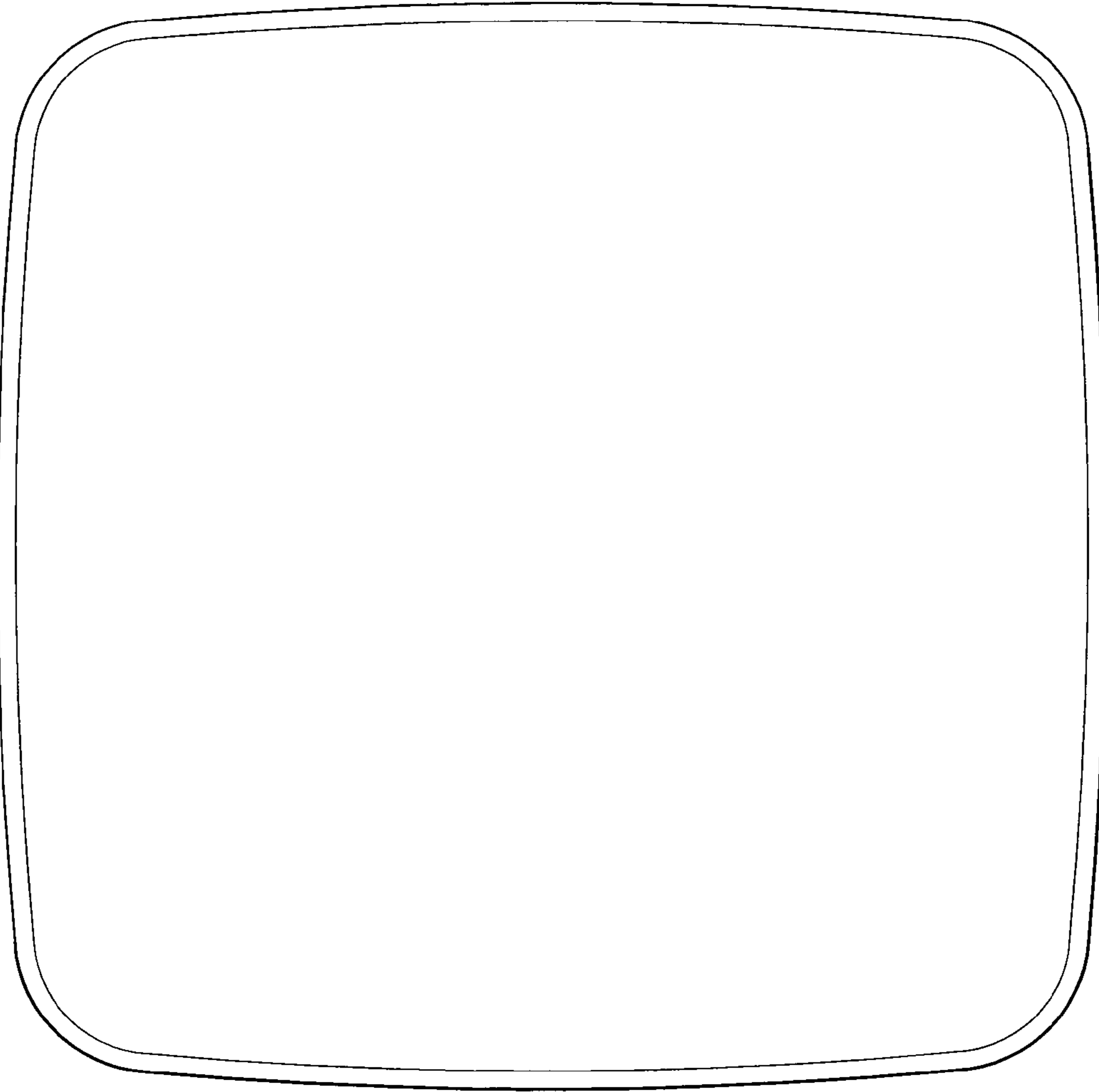
*Fig. 1*



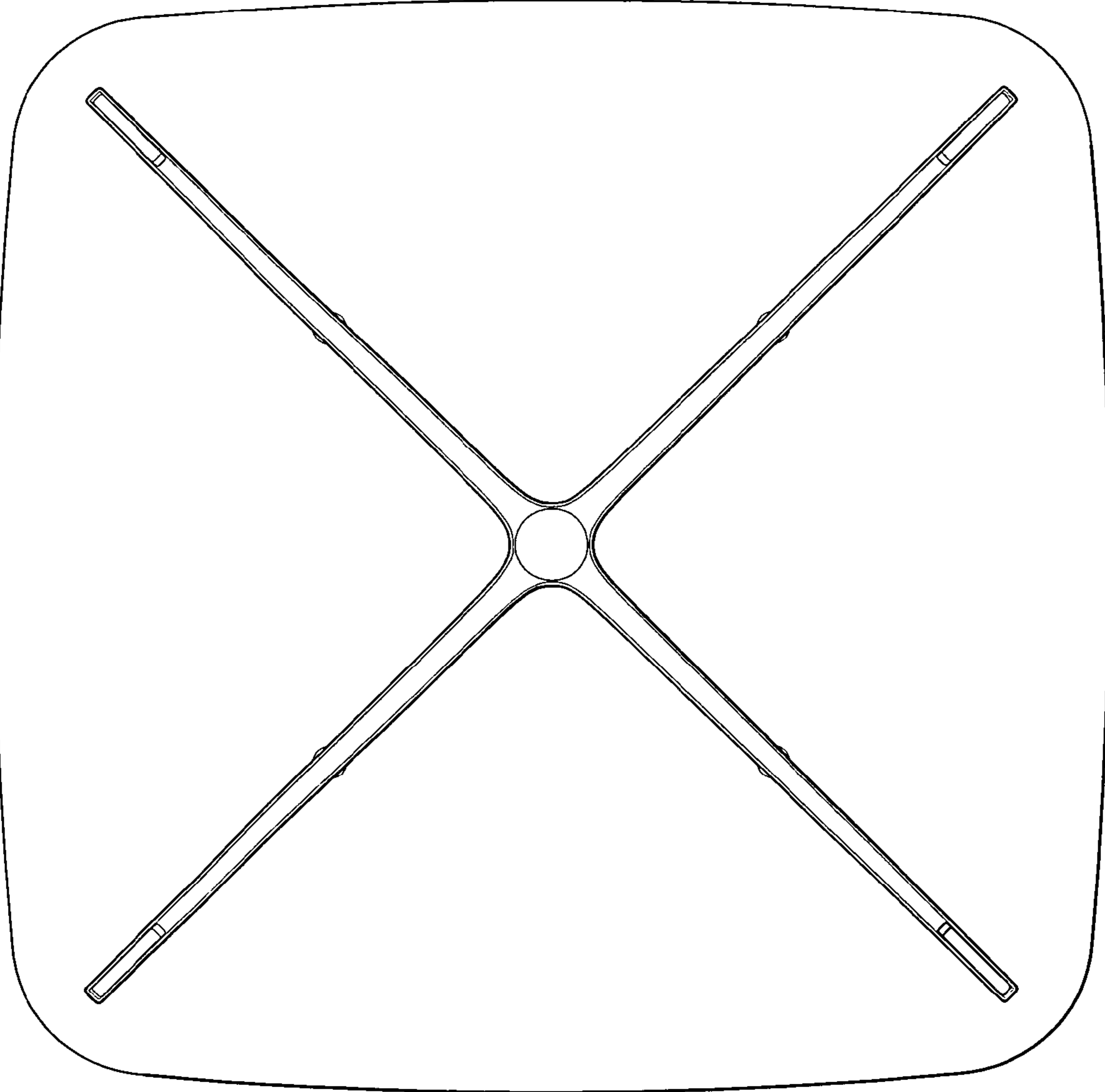
*Fig. 2*



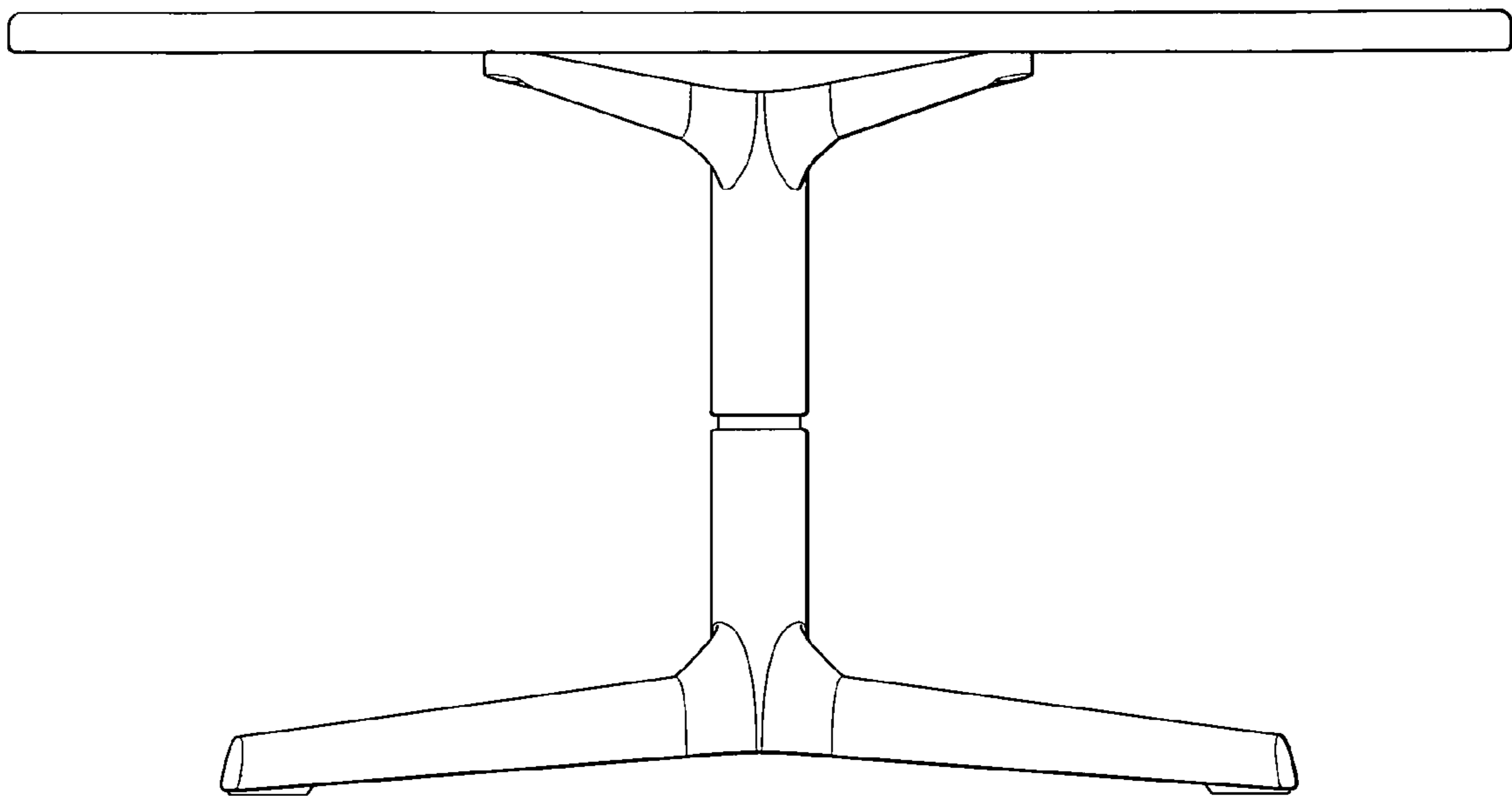
*Fig. 3*



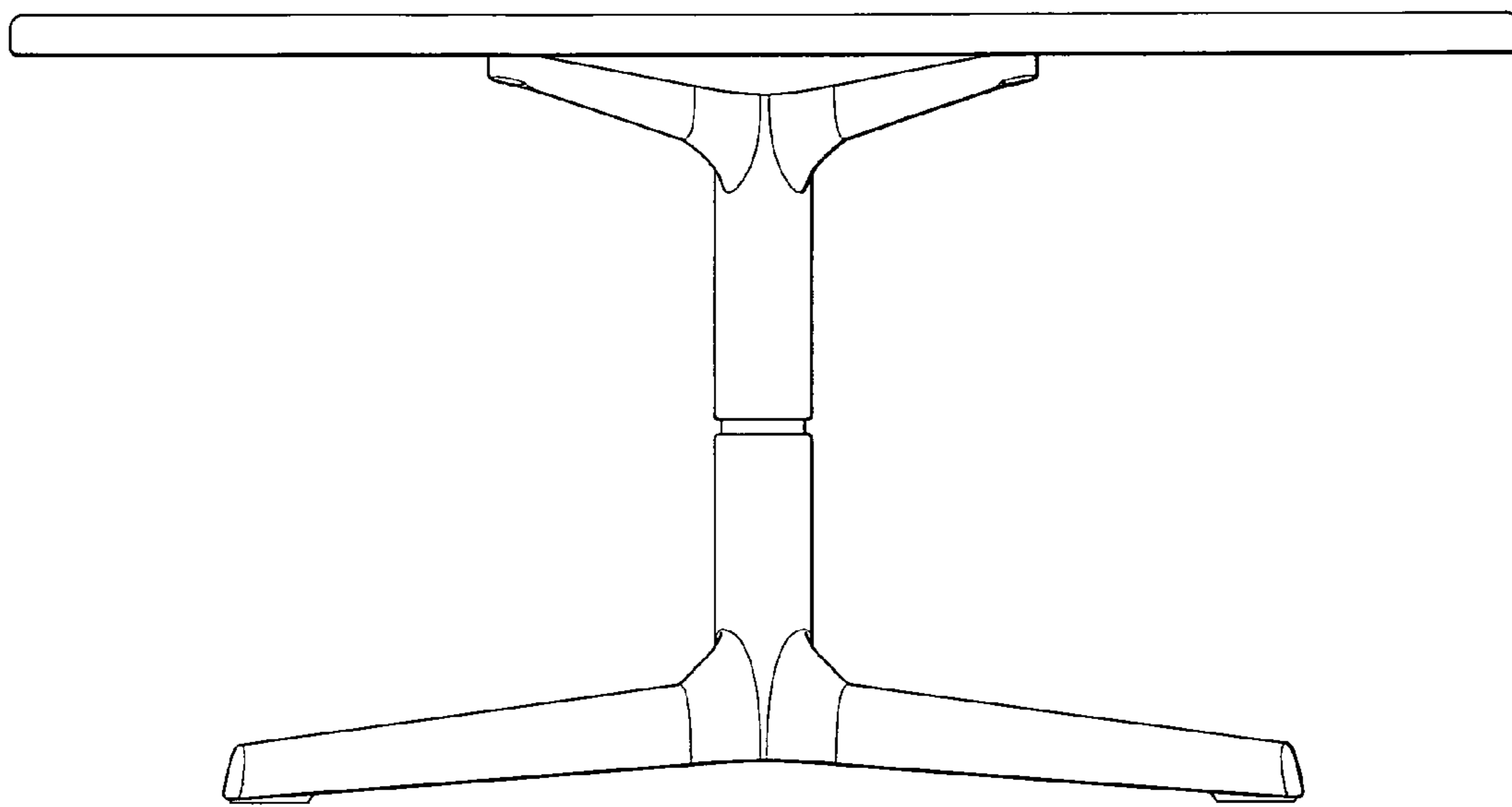
*Fig. 4*



*Fig. 5*



*Fig. 6*



*Fig. 7*