



US00D579237S

(12) **United States Design Patent**
Gusdorf

(10) **Patent No.:** **US D579,237 S**

(45) **Date of Patent:** **** Oct. 28, 2008**

(54) **STACKABLE AND NESTABLE SHELVES WITH REINFORCED PLATFORM**

(75) Inventor: **Michael L. Gusdorf**, St. Louis, MO (US)

(73) Assignee: **Industrial Wine Products Inc.**, Sullivan, MO (US)

(**) Term: **14 Years**

(21) Appl. No.: **29/255,646**

(22) Filed: **Mar. 10, 2006**

(51) **LOC (8) Cl.** **06-07**

(52) **U.S. Cl.** **D6/462**

(58) **Field of Classification Search** D6/475, D6/462-468, 458, 477, 479, 397, 343, 396, D6/546; 108/50.11, 59, 91, 92, 93; 211/13.1, 211/37, 38, 85.3, 85.4, 30, 34, 42, 49.1, 90.03, 211/106, 119, 134, 181.1; 248/441.1, 465.1, 248/175, 451, 124.1

See application file for complete search history.

(56) **References Cited**

U.S. PATENT DOCUMENTS

576,393 A	2/1897	Bos	
2,814,390 A	11/1957	Barbier	
2,836,304 A *	5/1958	Furrer	211/46
2,926,022 A	2/1960	Nau et al.	
D214,603 S *	7/1969	Cohen	D6/465
3,606,025 A	9/1971	Wilson	
3,905,286 A *	9/1975	Le Grady	99/450
3,967,327 A	7/1976	Severson	
4,191,160 A *	3/1980	Elliott	126/9 R
4,444,320 A	4/1984	Chap	
D278,196 S *	4/1985	Koves	D6/465
4,862,602 A	9/1989	Krill	
4,953,473 A *	9/1990	Tomaka et al.	108/132
5,035,335 A	7/1991	Massoudnia	

5,074,223 A	12/1991	Remmers	
5,097,971 A *	3/1992	Norris et al.	211/126.6
5,152,407 A	10/1992	Massoudnia et al.	
5,213,221 A *	5/1993	Raye, Sr.	211/195
6,318,570 B1 *	11/2001	Mueller et al.	211/181.1
D455,029 S *	4/2002	Gusdorf	D6/462

* cited by examiner

Primary Examiner—Caron D. Veynar

Assistant Examiner—Sydney R. Buffalow

(74) *Attorney, Agent, or Firm*—Paul M. Denk

(57) **CLAIM**

The ornamental design for a stackable and nestable shelves with reinforced platform, as shown and described.

DESCRIPTION

FIG. 1 is an isometric view of a stackable and nestable shelf showing my new design;

FIG. 2 is a side view, the opposite side being a mirror image thereof;

FIG. 3 is an end view, the opposite end view being a mirror image;

FIG. 4 is a top plan view;

FIG. 5 is a bottom view;

FIG. 6 is a side view showing a second embodiment of my new design, the opposite side being a mirror image thereof;

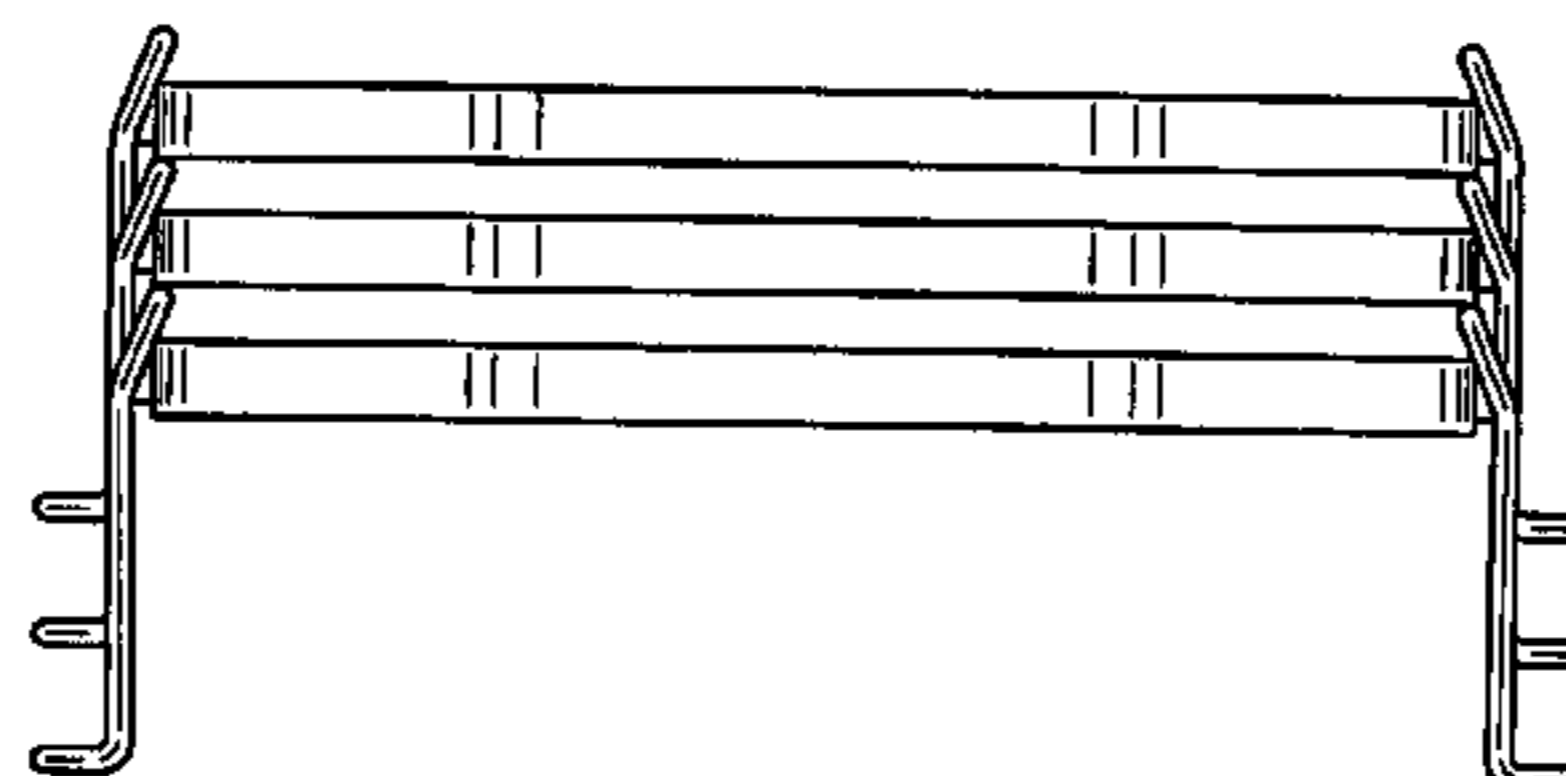
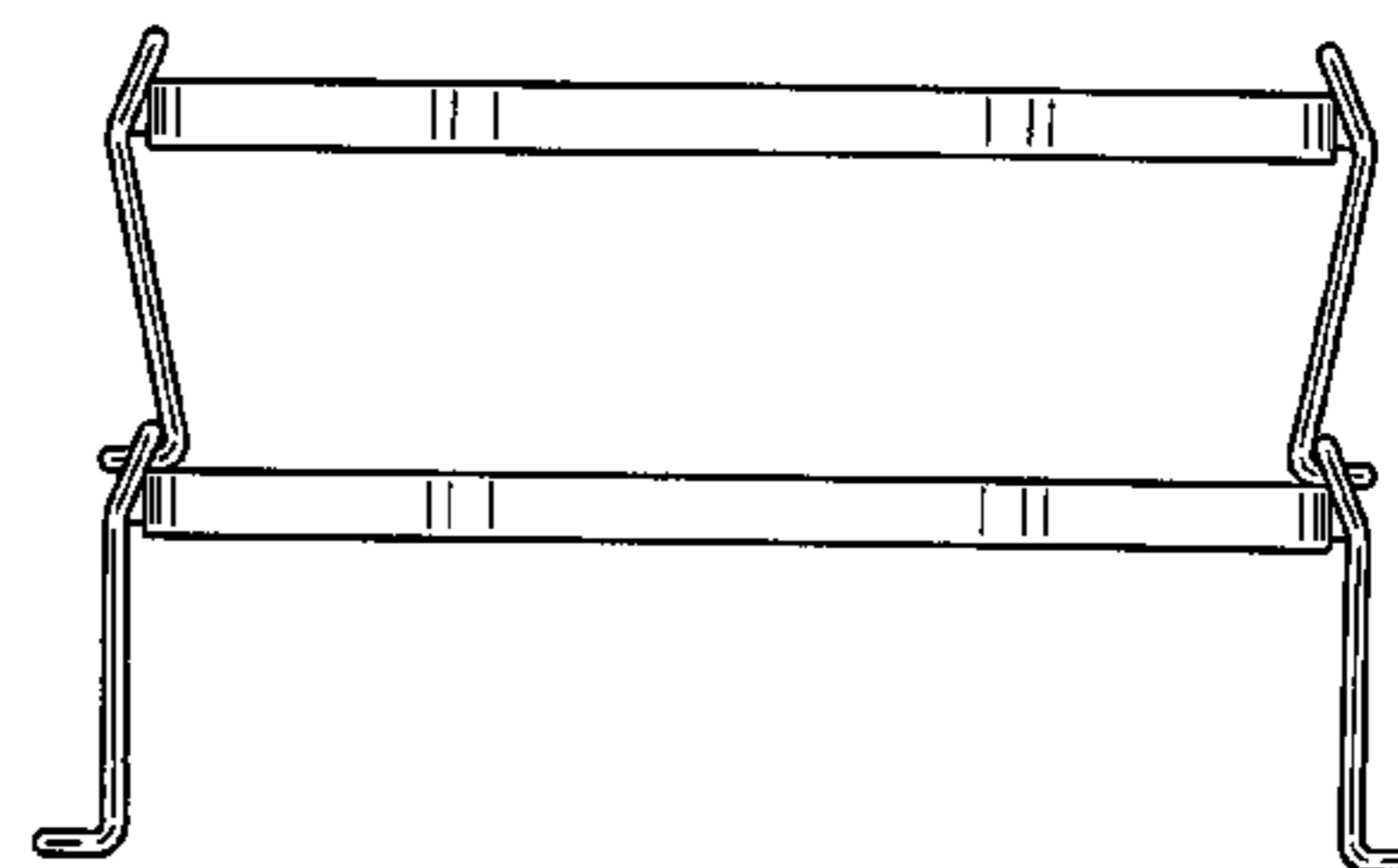
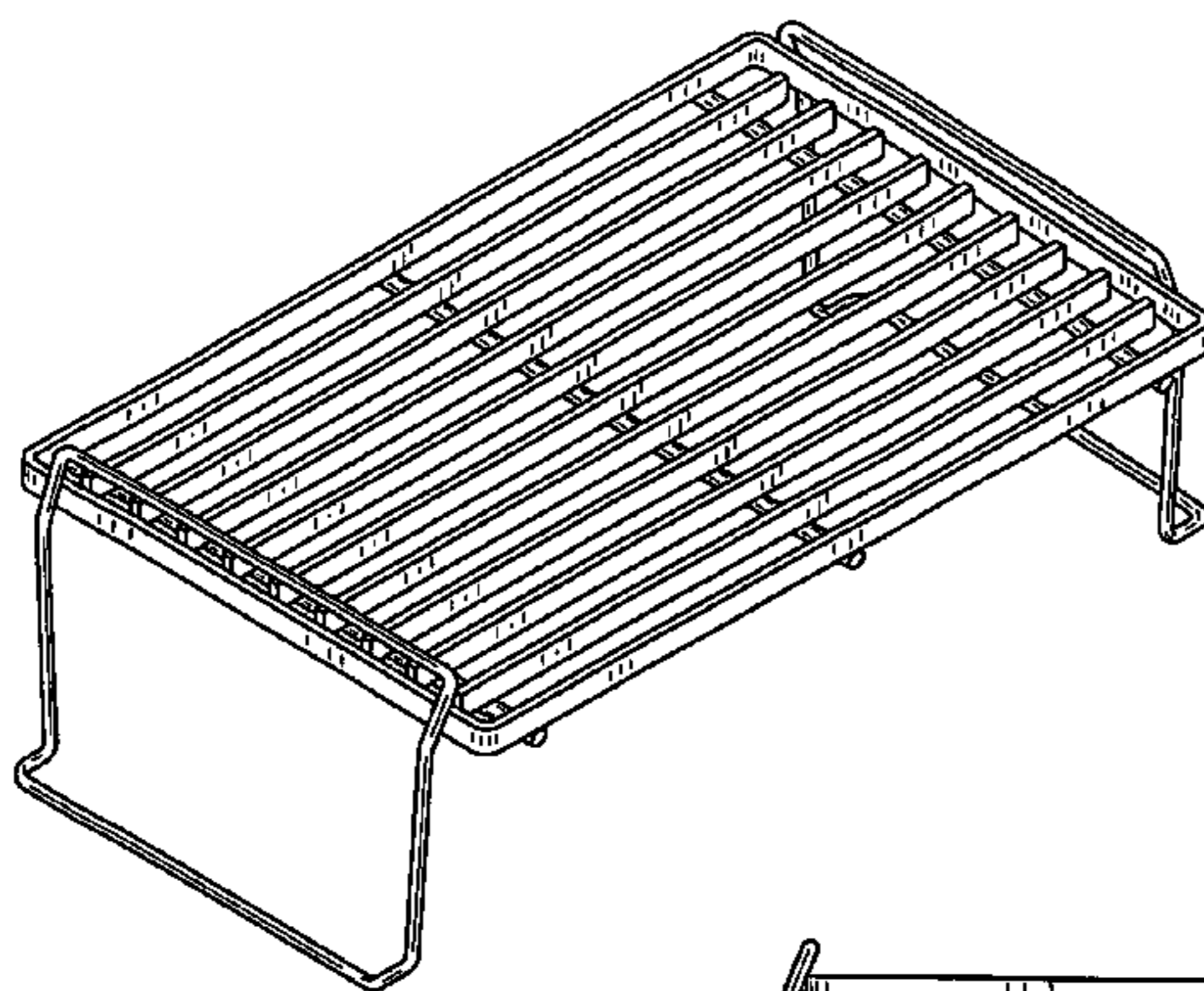
FIG. 7 is an end view of the shelf in FIG. 6, the opposite end view being a mirror image thereof;

FIG. 8 is a bottom plan view;

FIG. 9 is a side view showing a third embodiment of my new design, with a pair of the shelves in a stackable condition; and,

FIG. 10 is a side view showing a fourth embodiment of my new design with three shelves in a stackable condition.

1 Claim, 4 Drawing Sheets



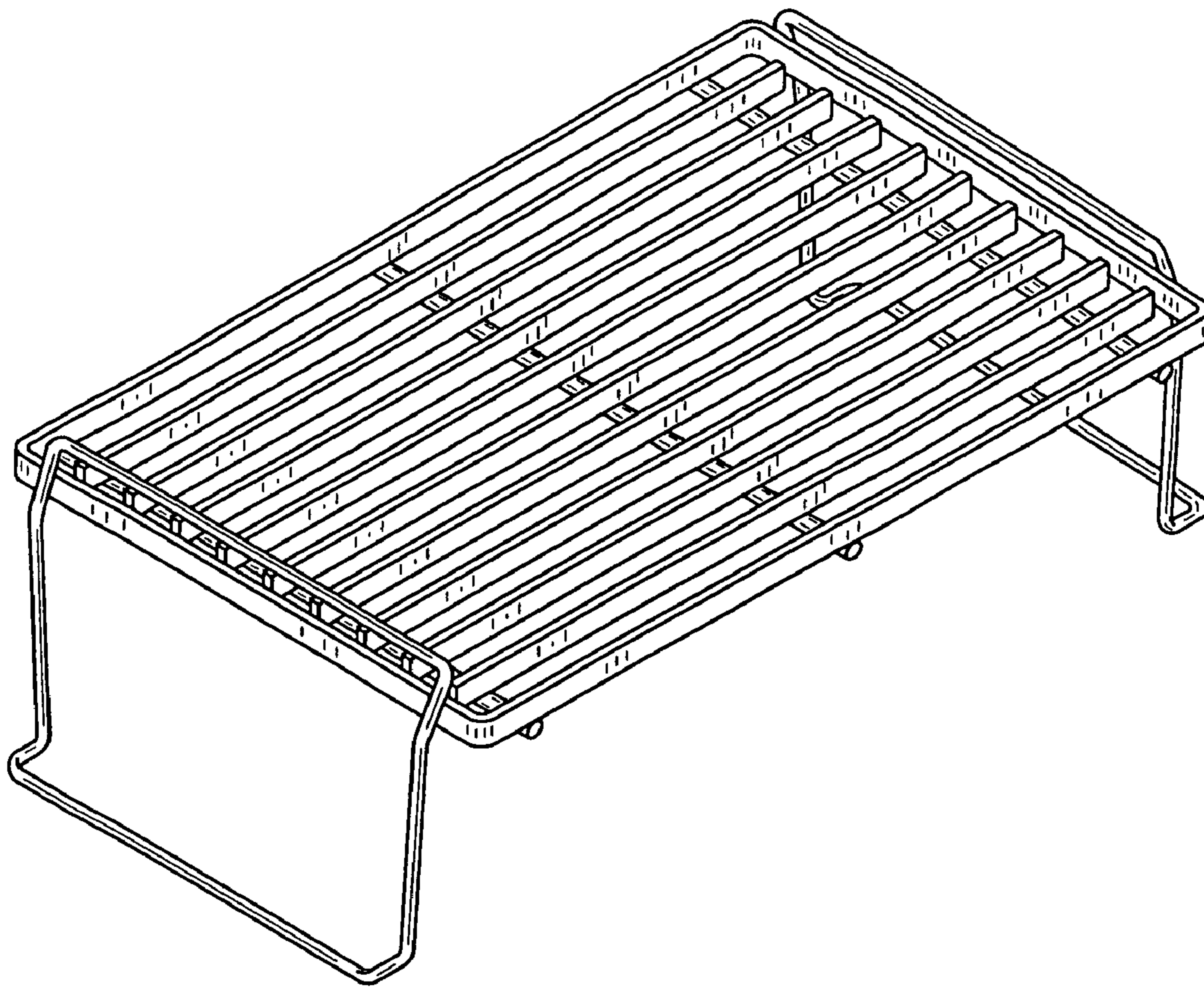


FIG. 1

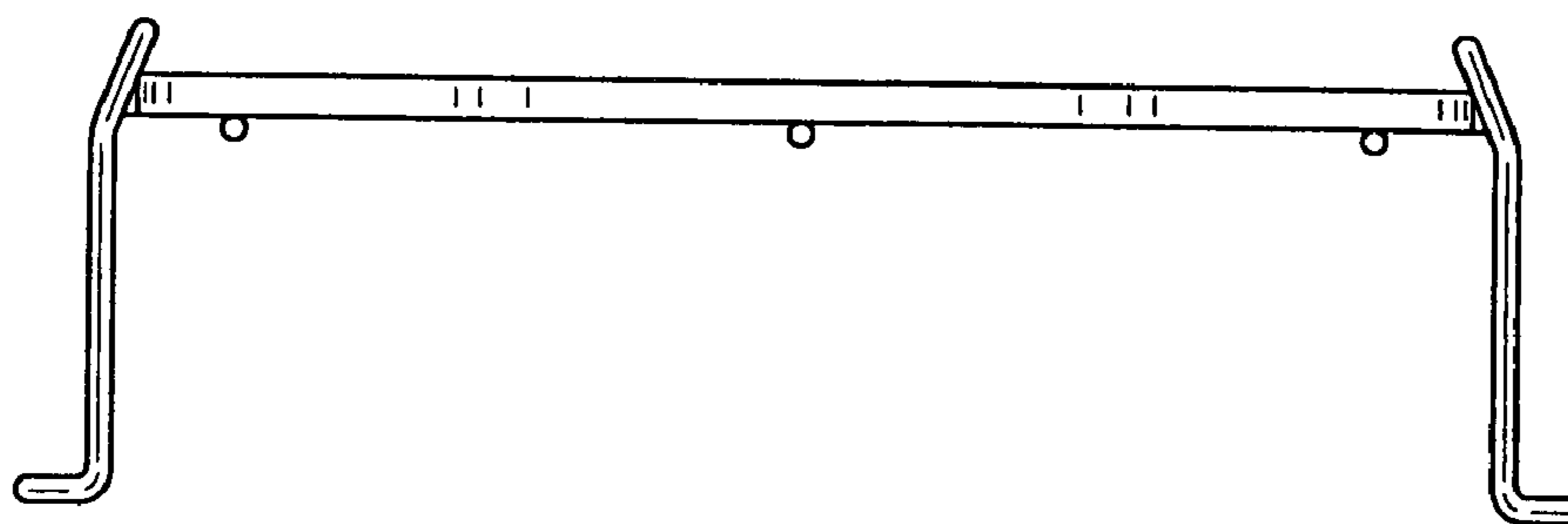


FIG. 2

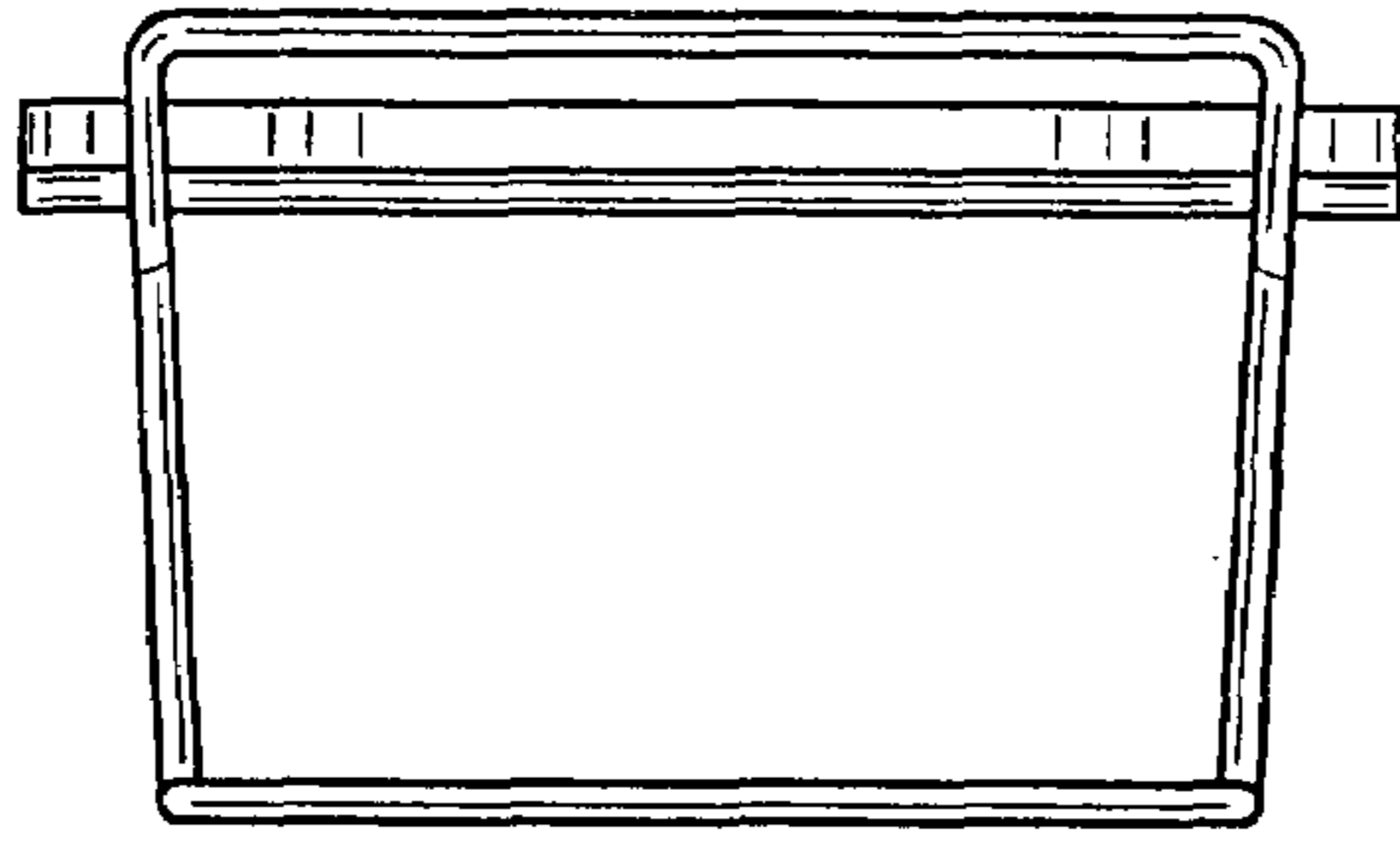


FIG. 3

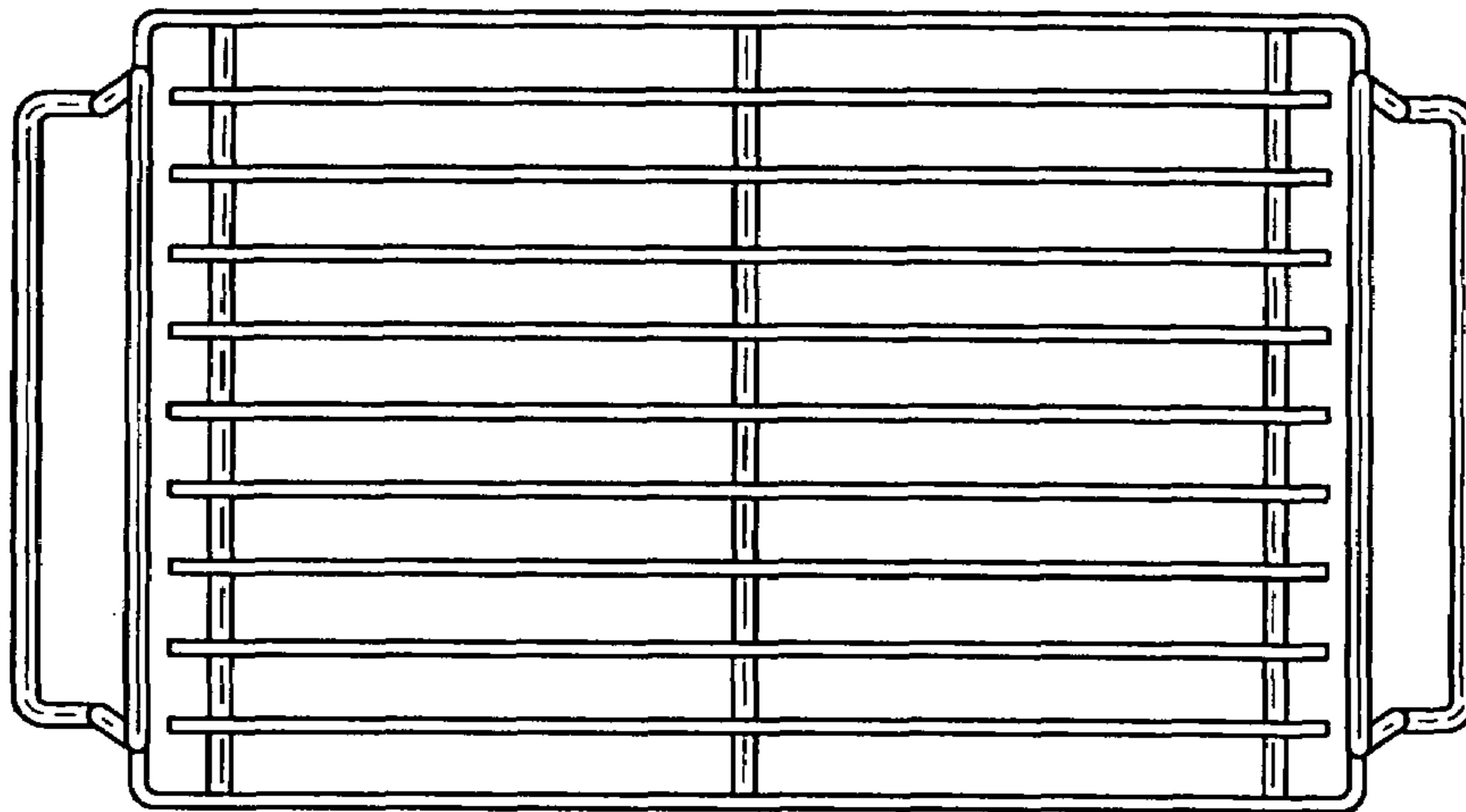


FIG. 4

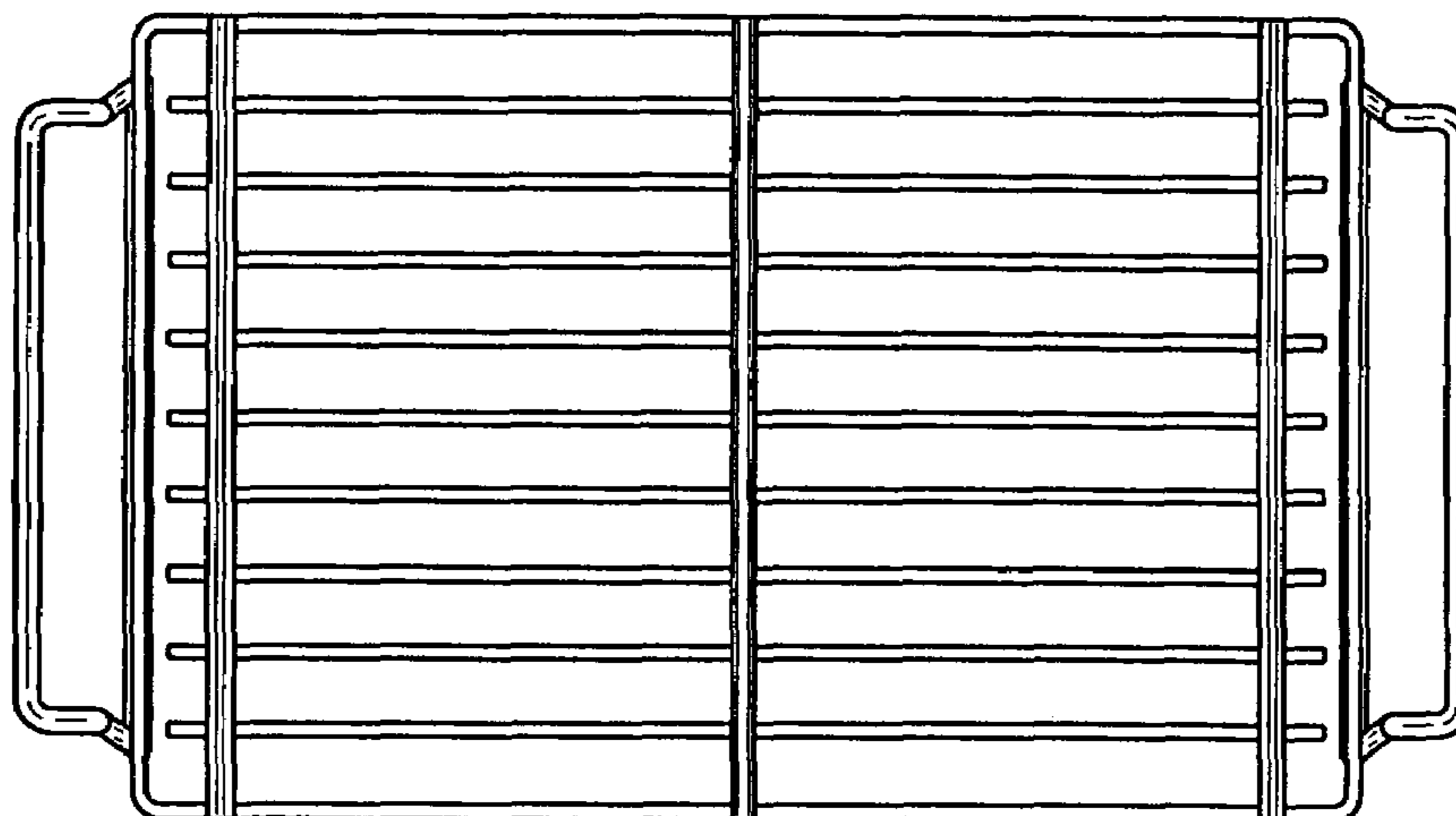


FIG. 5

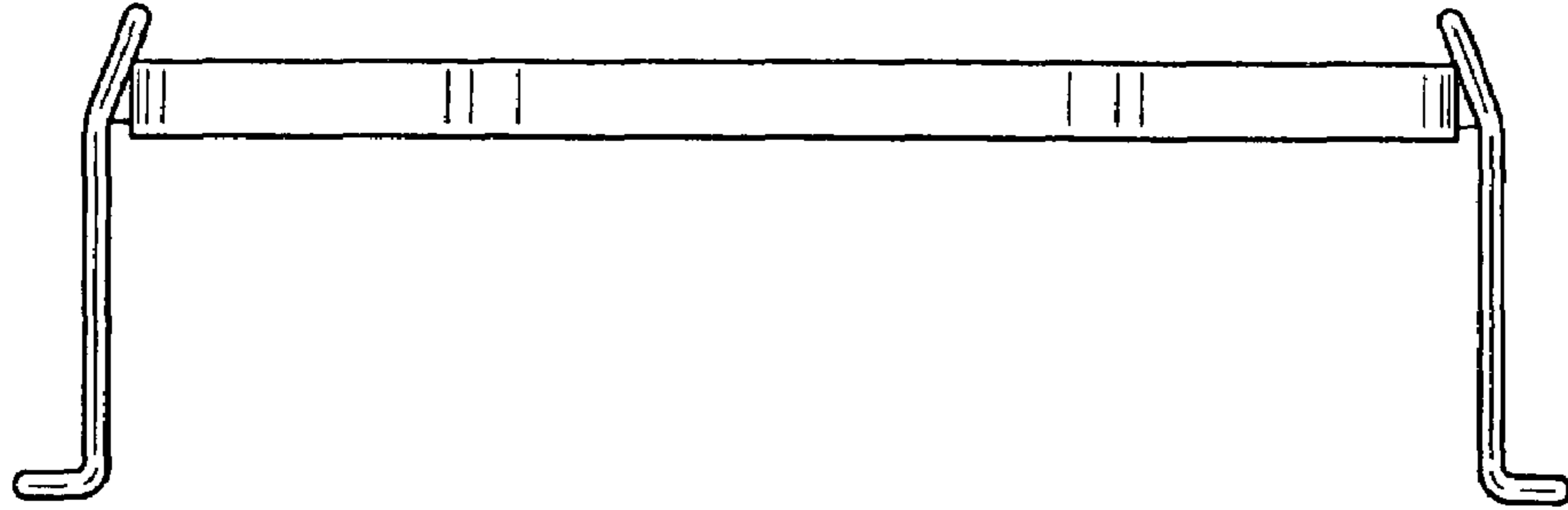


FIG. 6

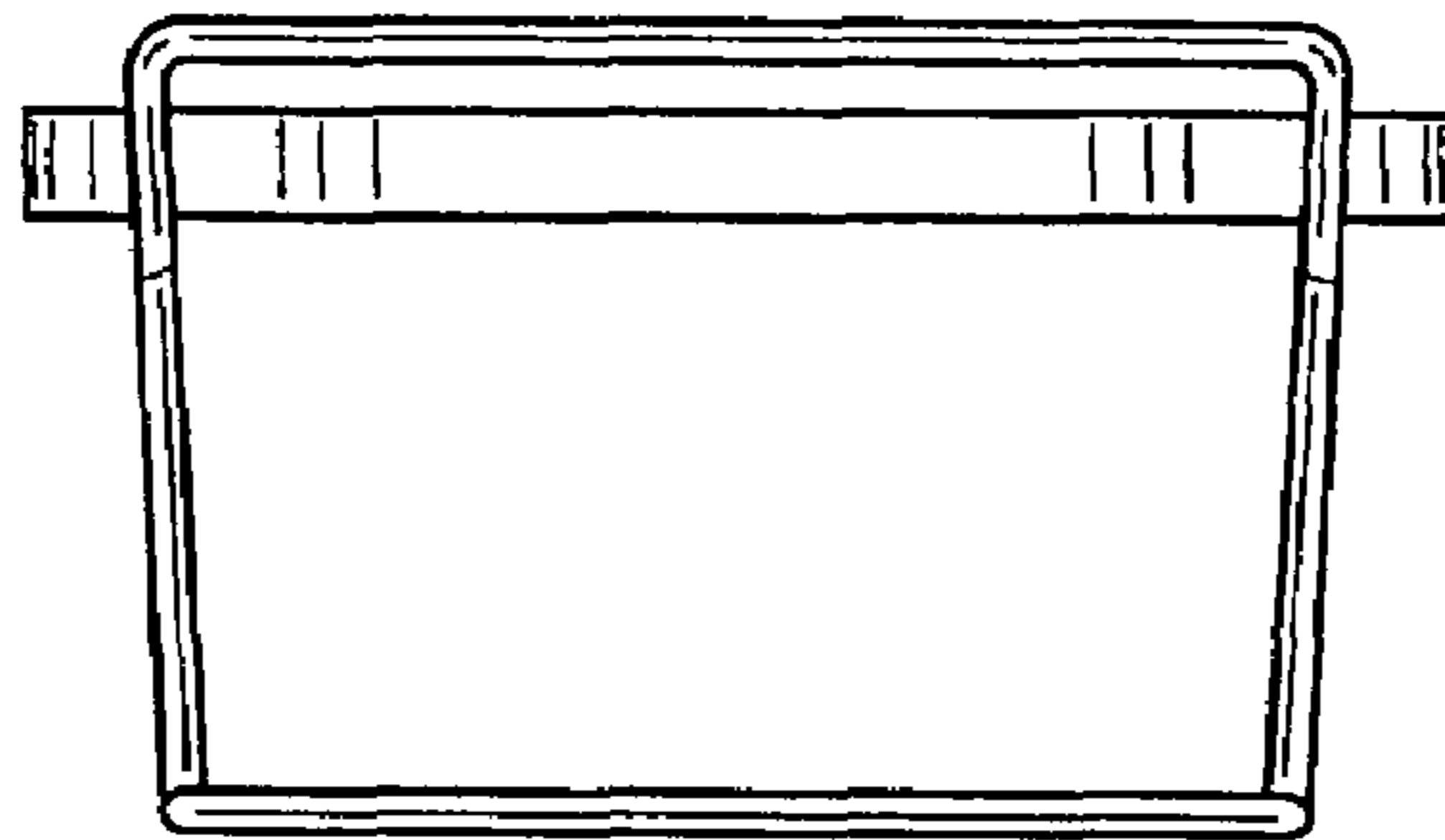


FIG. 7

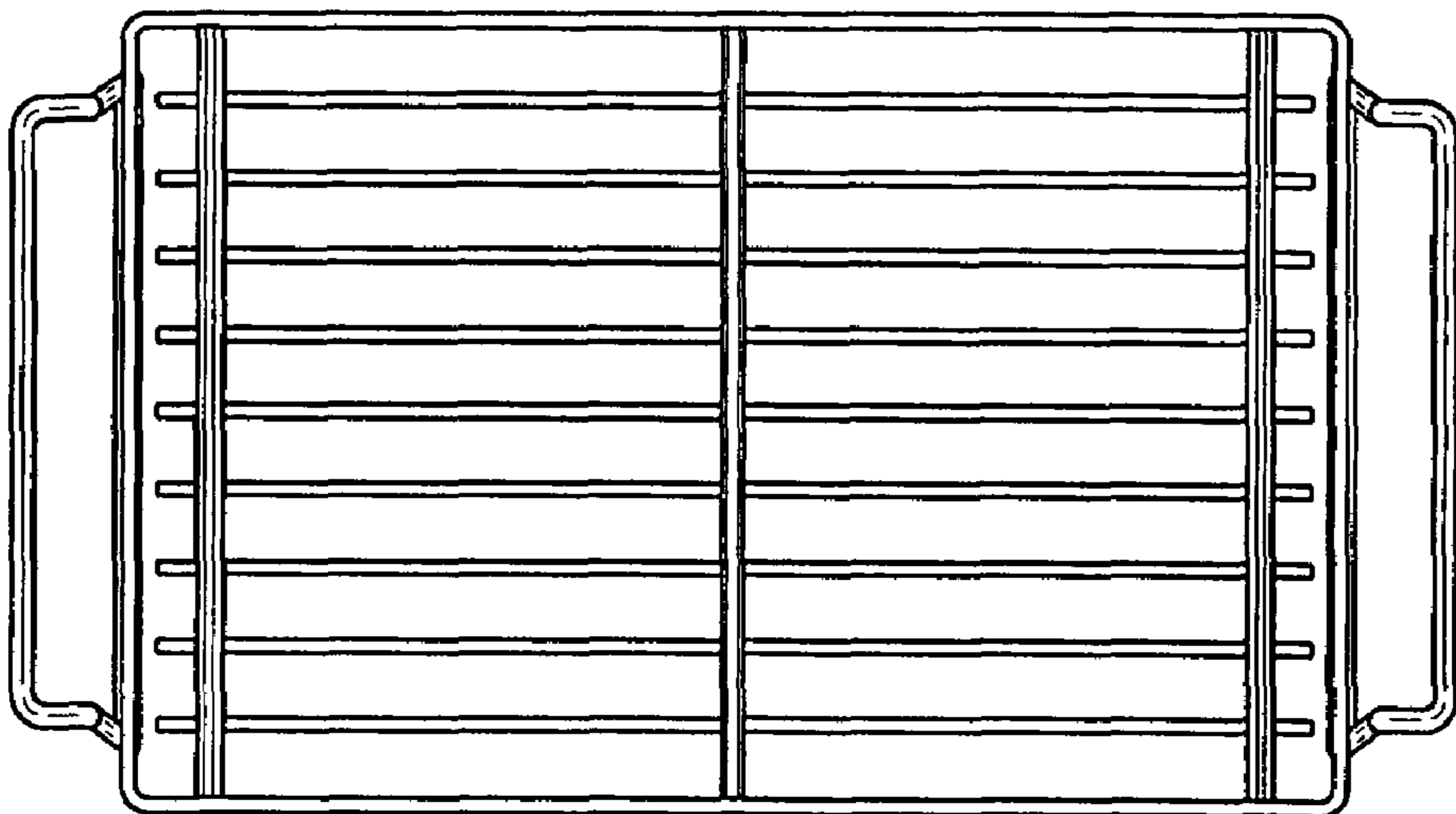


FIG. 8

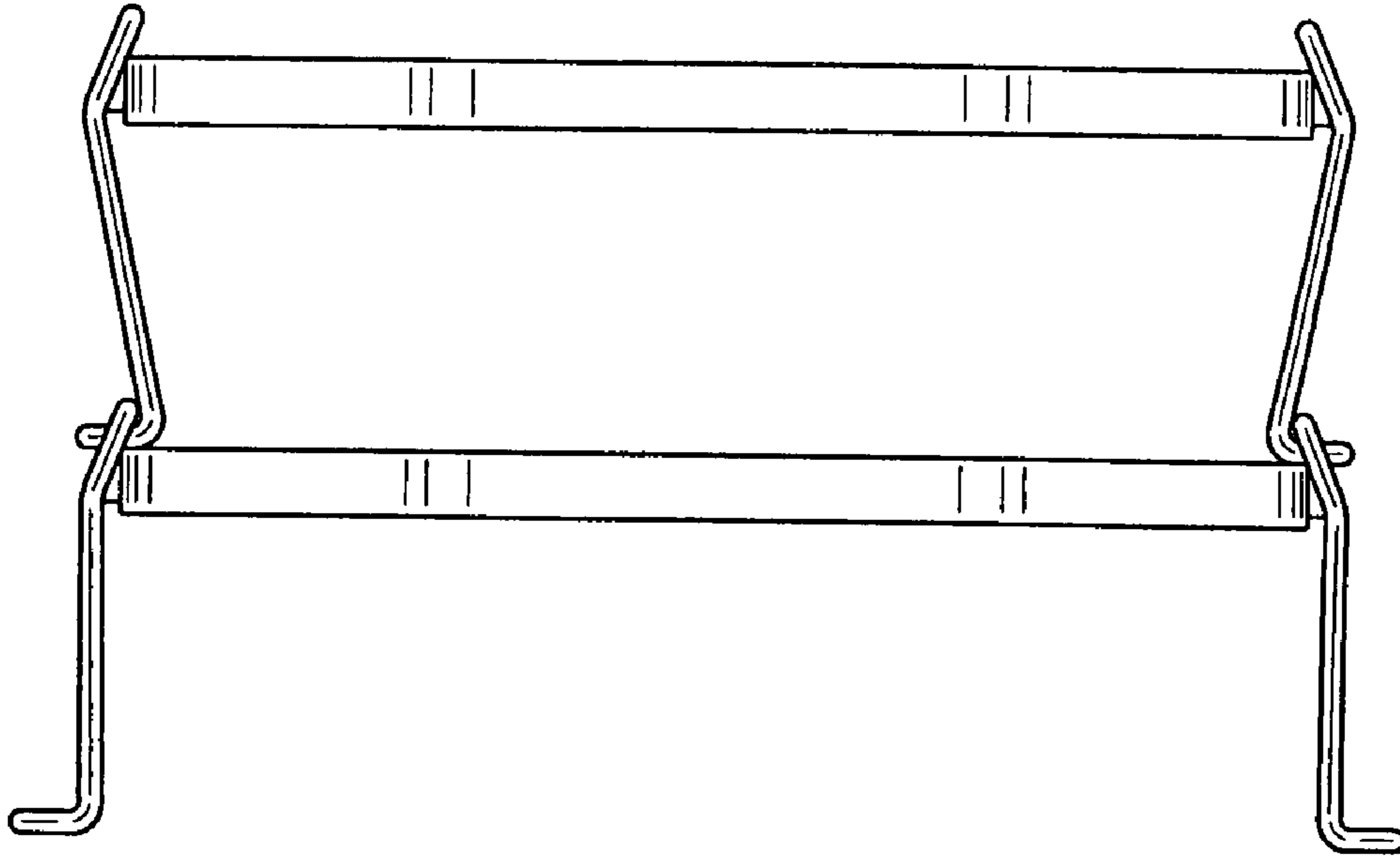


FIG. 9

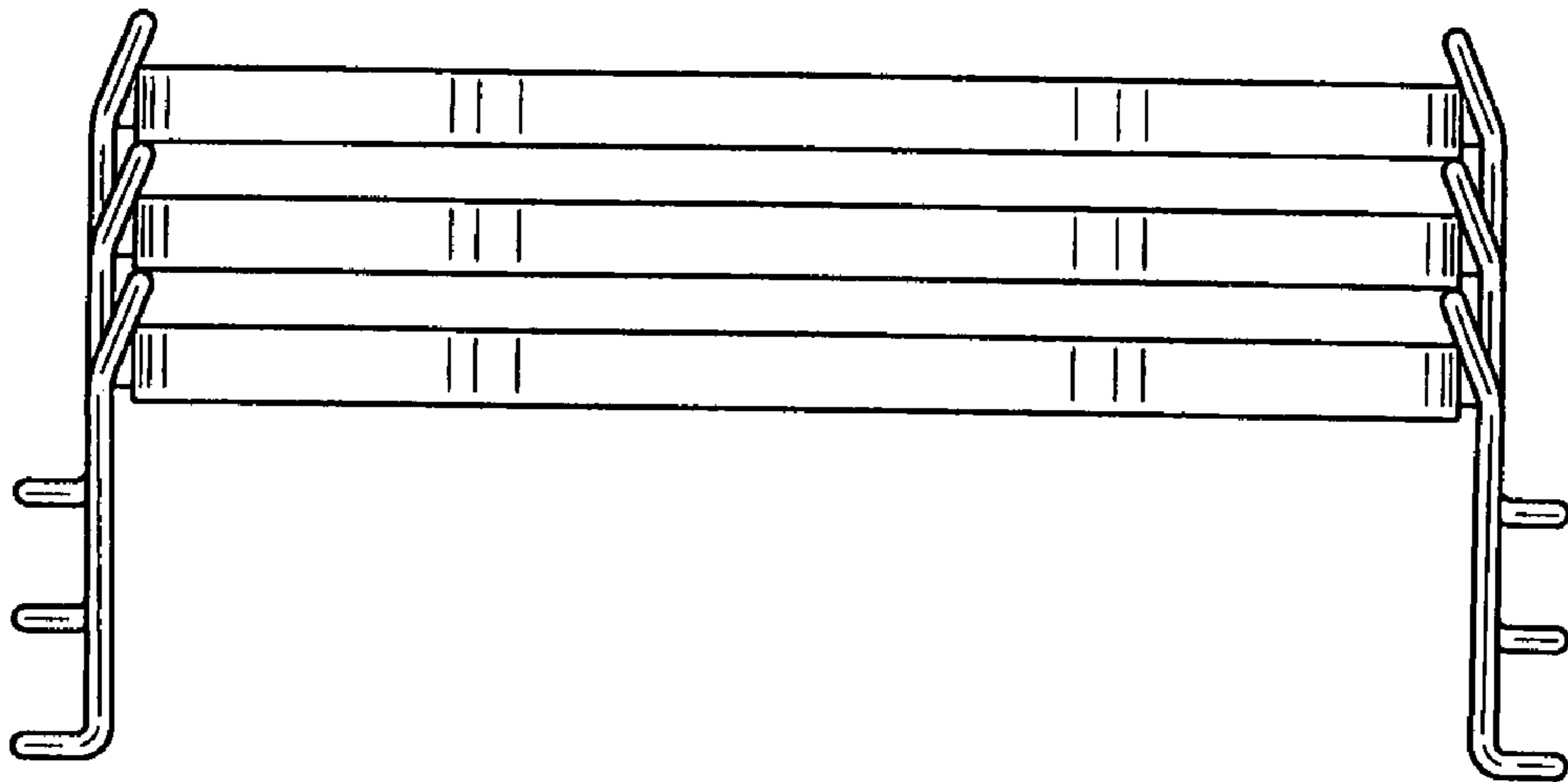


FIG. 10