



US00D579234S

(12) **United States Design Patent**  
**Decarlo et al.**

(10) **Patent No.:** **US D579,234 S**

(45) **Date of Patent:** **\*\* Oct. 28, 2008**

(54) **COLLAPSIBLE STAND**

(75) Inventors: **Anthony J. Decarlo**, Bay Village, OH  
(US); **Daniel V. Perella**, Hudson, OH  
(US); **Vincent J. Thomson**, Avon Lake,  
OH (US)

(73) Assignee: **Ideastream Consumer Products, LLC**,  
Parma, OH (US)

(\*\*) Term: **14 Years**

(21) Appl. No.: **29/239,996**

(22) Filed: **Oct. 7, 2005**

(51) **LOC (8) Cl.** ..... **06-04**

(52) **U.S. Cl.** ..... **D6/449**

(58) **Field of Classification Search** ..... D6/449,  
D6/450, 476, 406.6, 406.4, 397, 475, 499,  
D6/300, 310, 467, 419, 451, 471; 345/179;  
312/231; D18/12; D15/140; D14/447  
See application file for complete search history.

(56) **References Cited**

U.S. PATENT DOCUMENTS

D30,010 S *	1/1899	Roberts	.....	D6/476
D30,011 S *	1/1899	Roberts	.....	D6/476
D67,394 S *	5/1925	Cornwell	.....	D6/406.6
D123,350 S *	10/1940	Gribben	.....	D6/467
D215,943 S *	11/1969	Grainer	.....	D6/406.4
3,732,557 A *	5/1973	Evans et al.	.....	345/179
D244,658 S *	6/1977	Turner	.....	D18/12
D252,301 S *	7/1979	McCarty	.....	D6/397
4,294,497 A *	10/1981	Daniel	.....	312/231
4,313,112 A *	1/1982	Foster	.....	248/639

D269,749 S *	7/1983	Foster	.....	D6/475
D281,842 S *	12/1985	Blocklinger	.....	D6/419
D288,099 S *	2/1987	Abitz	.....	D15/14
D306,534 S *	3/1990	Bacon et al.	.....	D6/419
D318,961 S *	8/1991	Edelson	.....	D6/406.4
D328,985 S *	9/1992	Sheldon	.....	D6/406.4
D398,914 S *	9/1998	Pulver	.....	D14/447

\* cited by examiner

*Primary Examiner*—Sydney R. Buffalow

(74) *Attorney, Agent, or Firm*—Pillsbury Winthrop Shaw  
Pittman LLP

(57) **CLAIM**

The ornamental design for a collapsible stand, as shown and  
described.

**DESCRIPTION**

FIG. 1 is a perspective view of a collapsible stand in an  
assembled state showing our new design;

FIG. 2 is a left side elevation view of the collapsible stand, the  
right side elevation view being a mirror image thereof;

FIG. 3 is a front elevation view of the collapsible stand;

FIG. 4 is a top plan view of the collapsible stand;

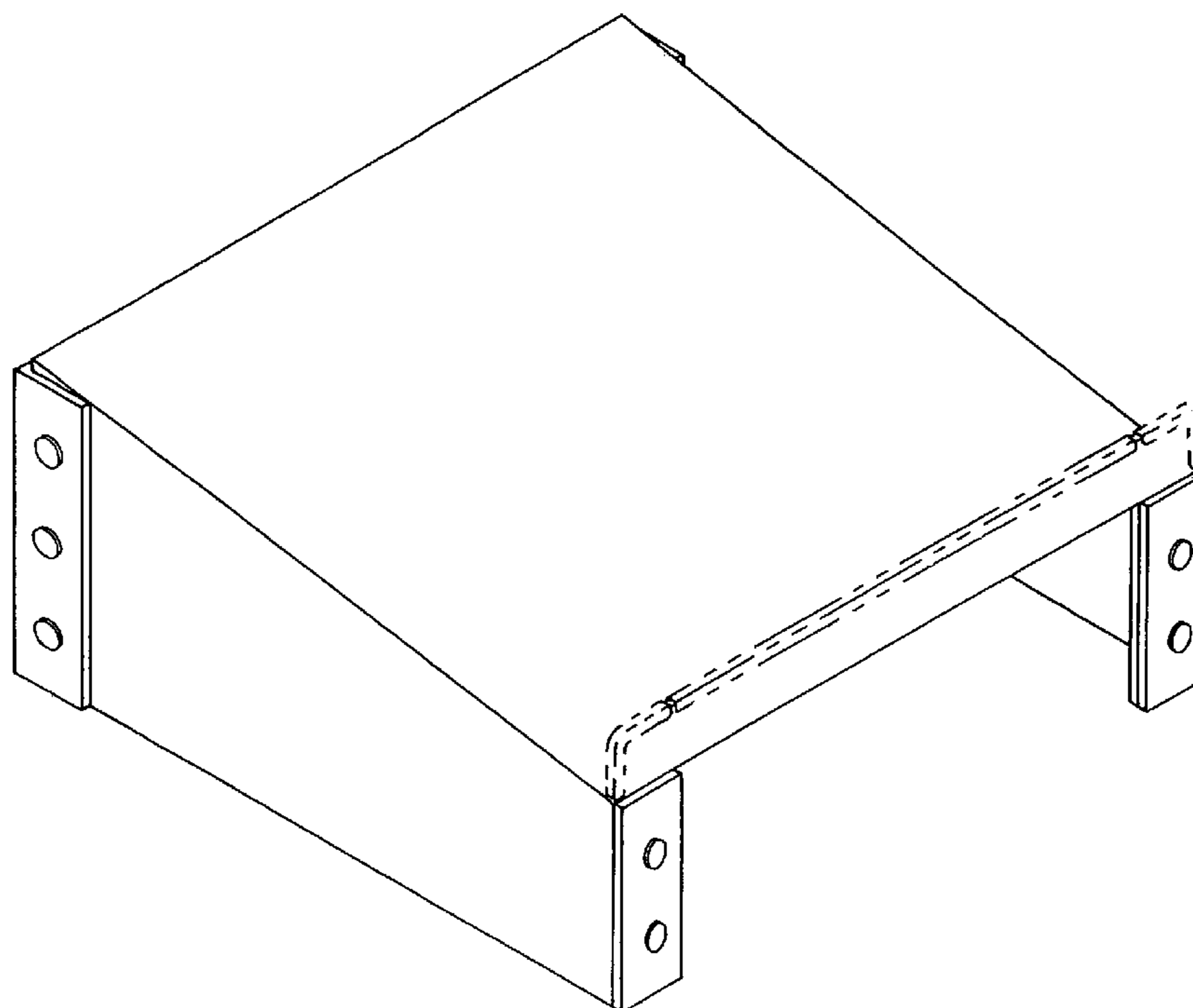
FIG. 5 is a rear elevation view of the collapsible stand;

FIG. 6 is a bottom plan view of the collapsible stand; and,

FIG. 7 is a top plan view of the collapsible stand in a collapsed  
state.

The broken lines are for illustrative purposes only and form  
no part of the claimed design.

**1 Claim, 4 Drawing Sheets**



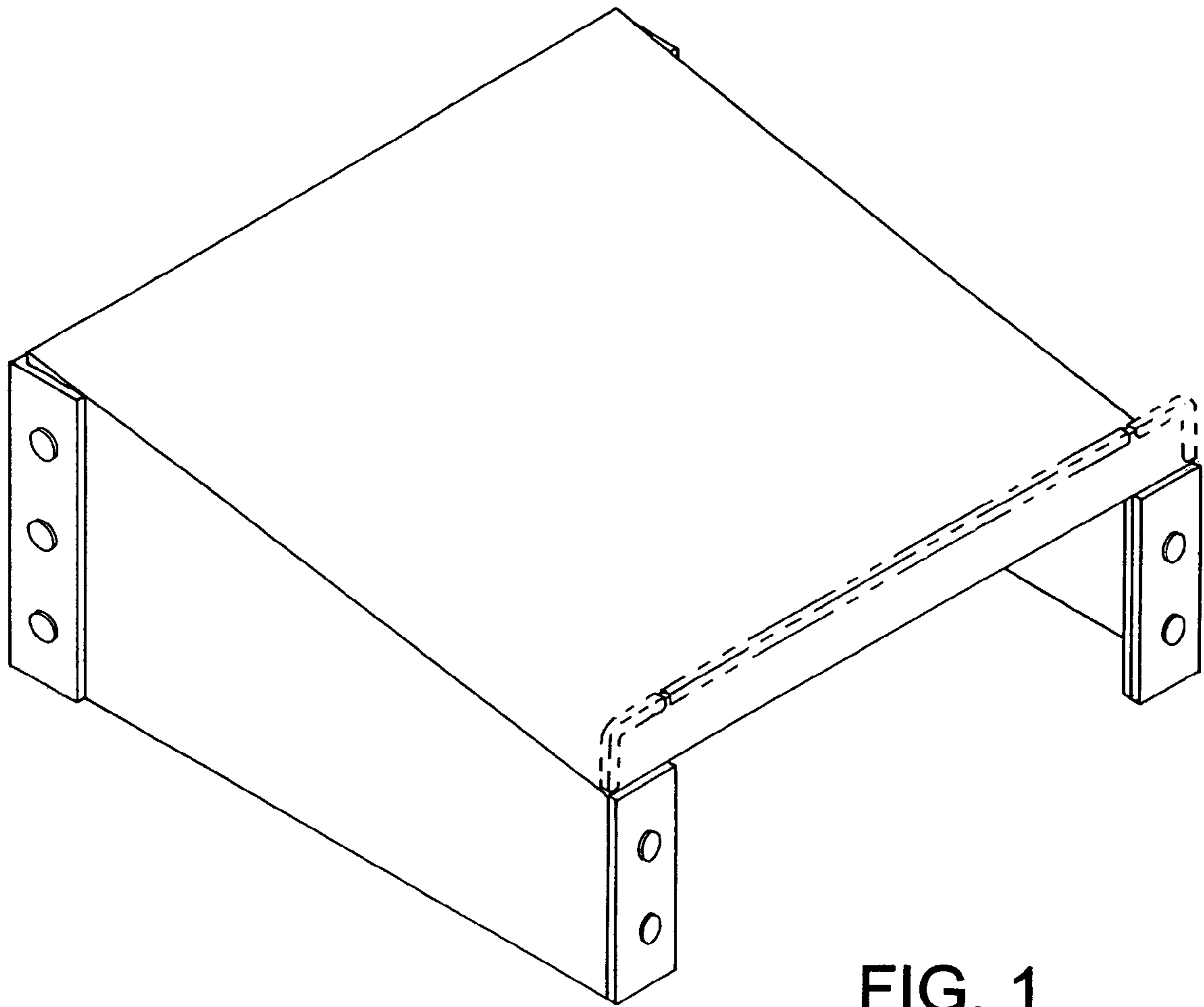


FIG. 1

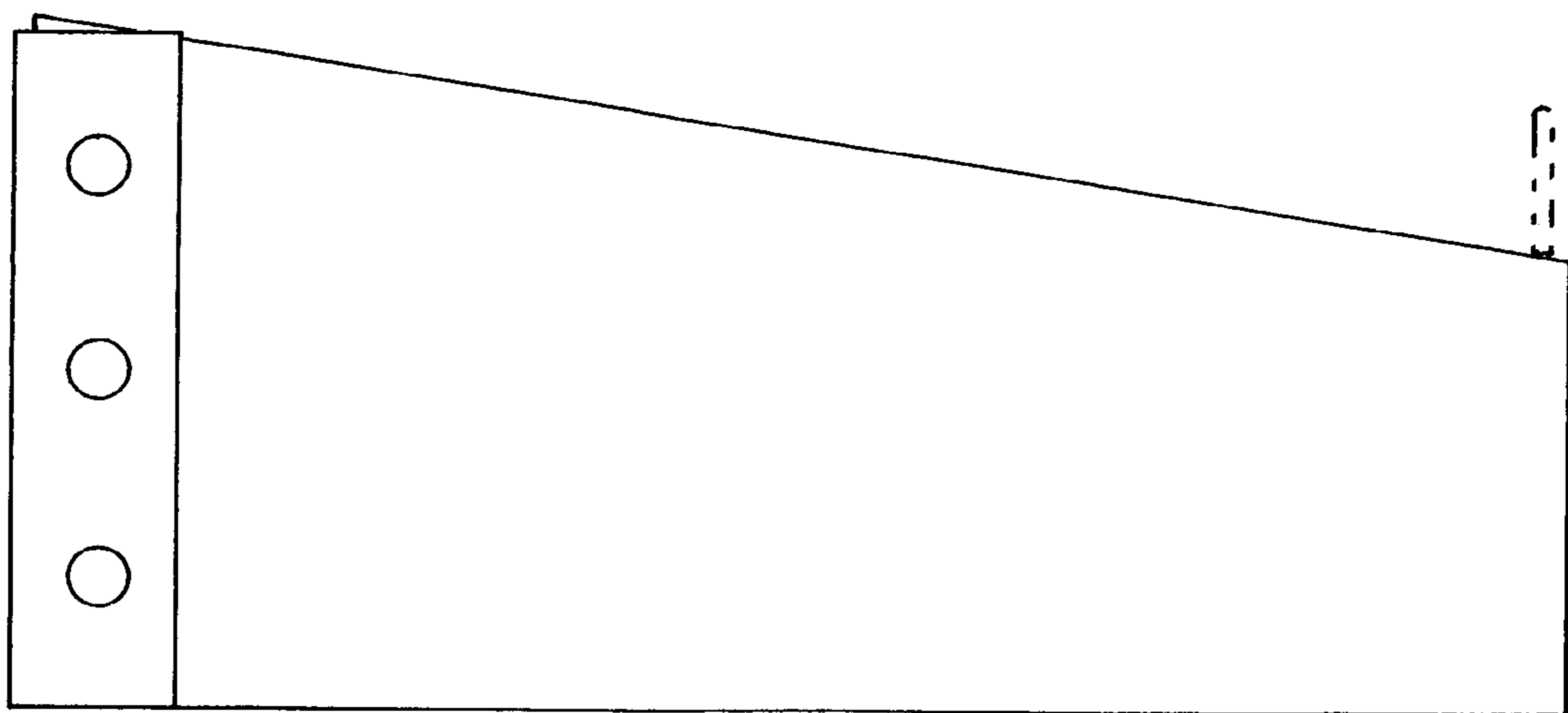


FIG. 2

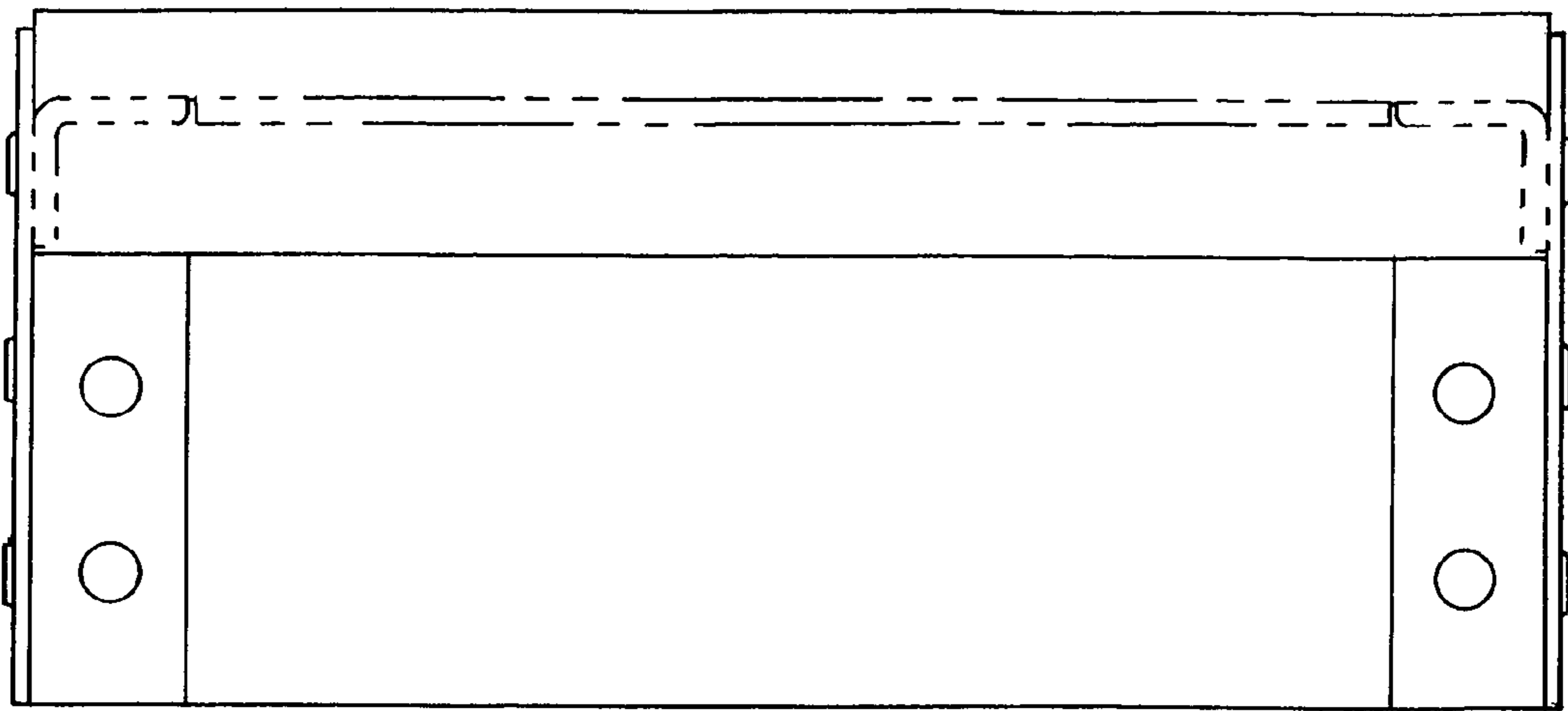


FIG. 3

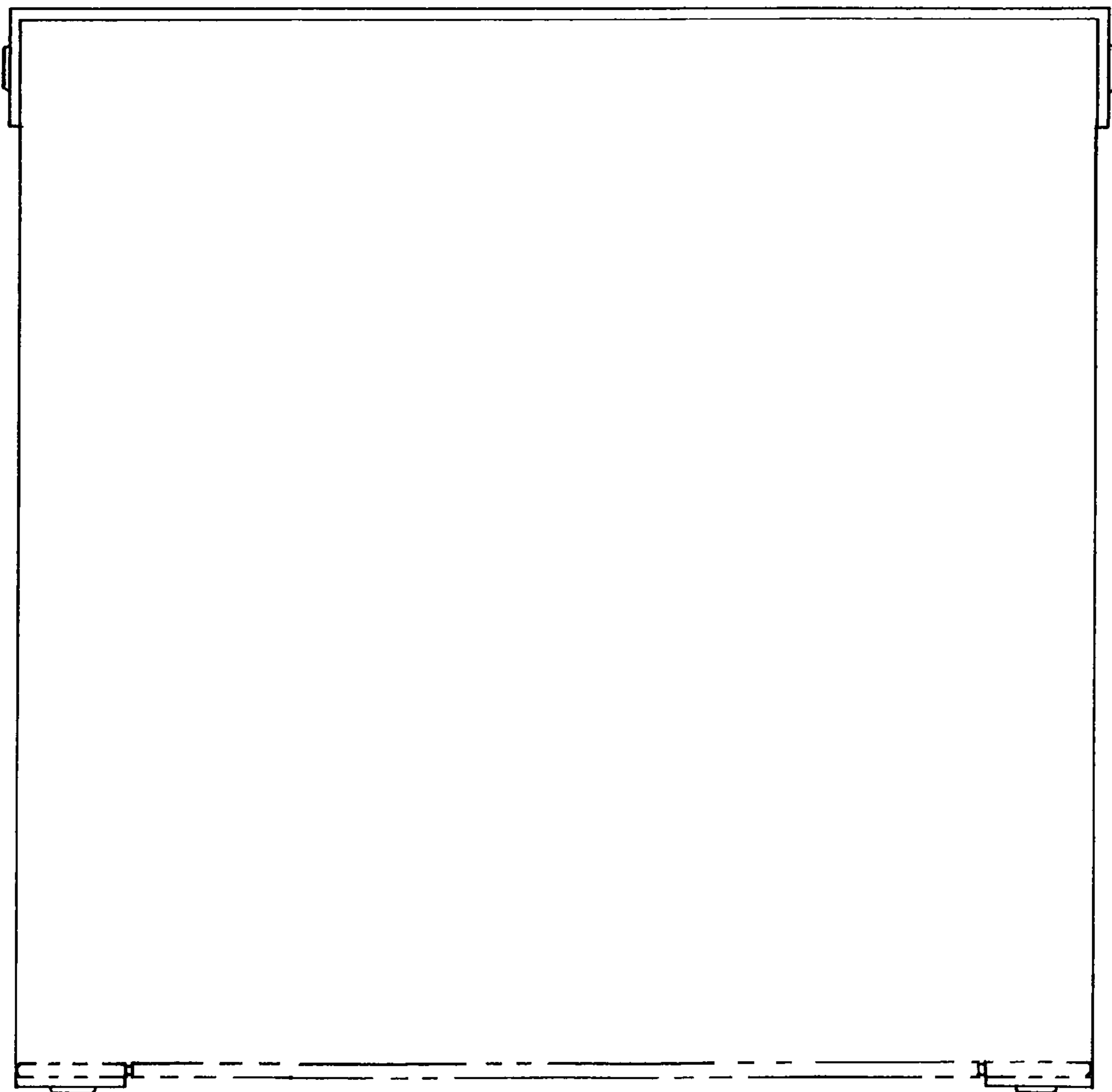


FIG. 4

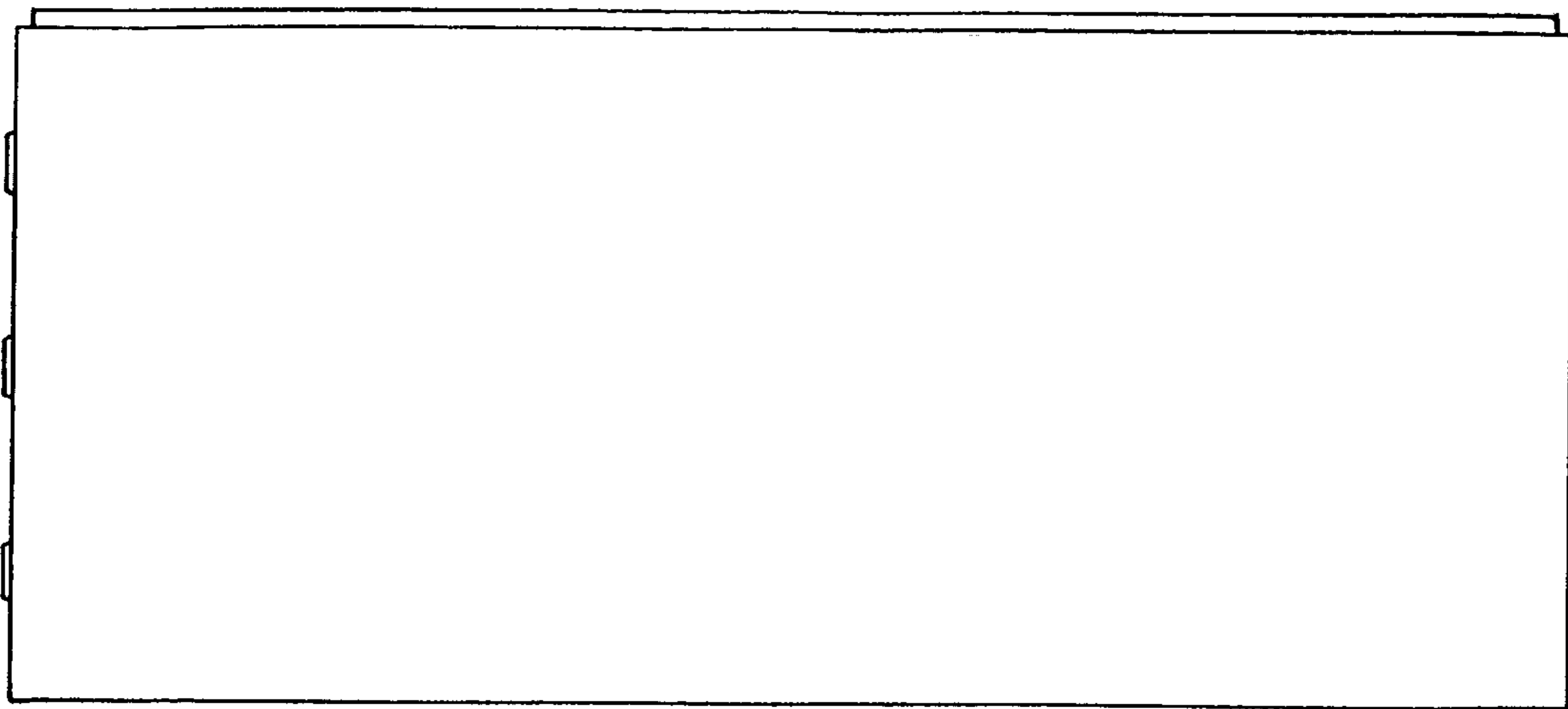


FIG. 5

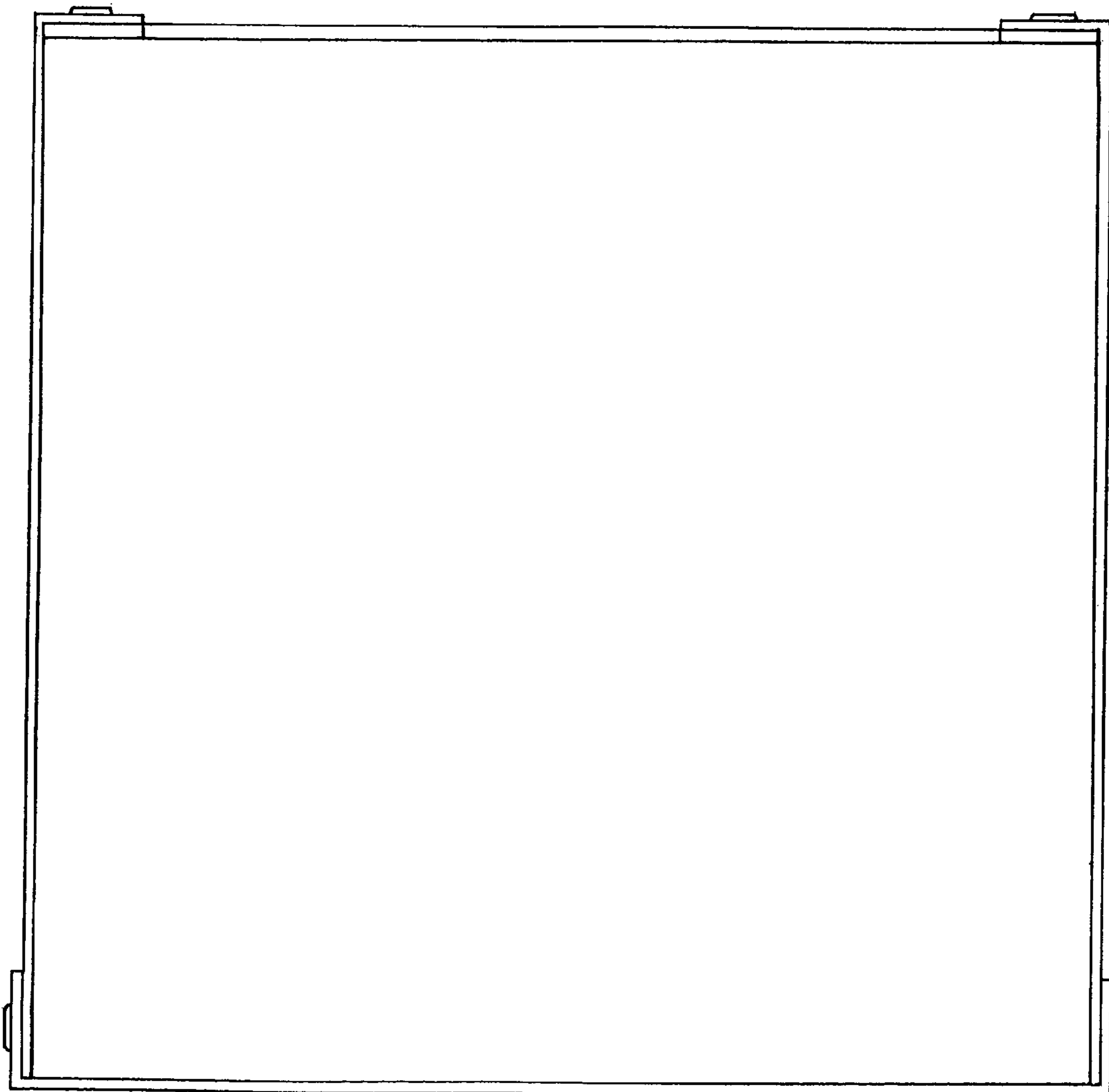


FIG. 6

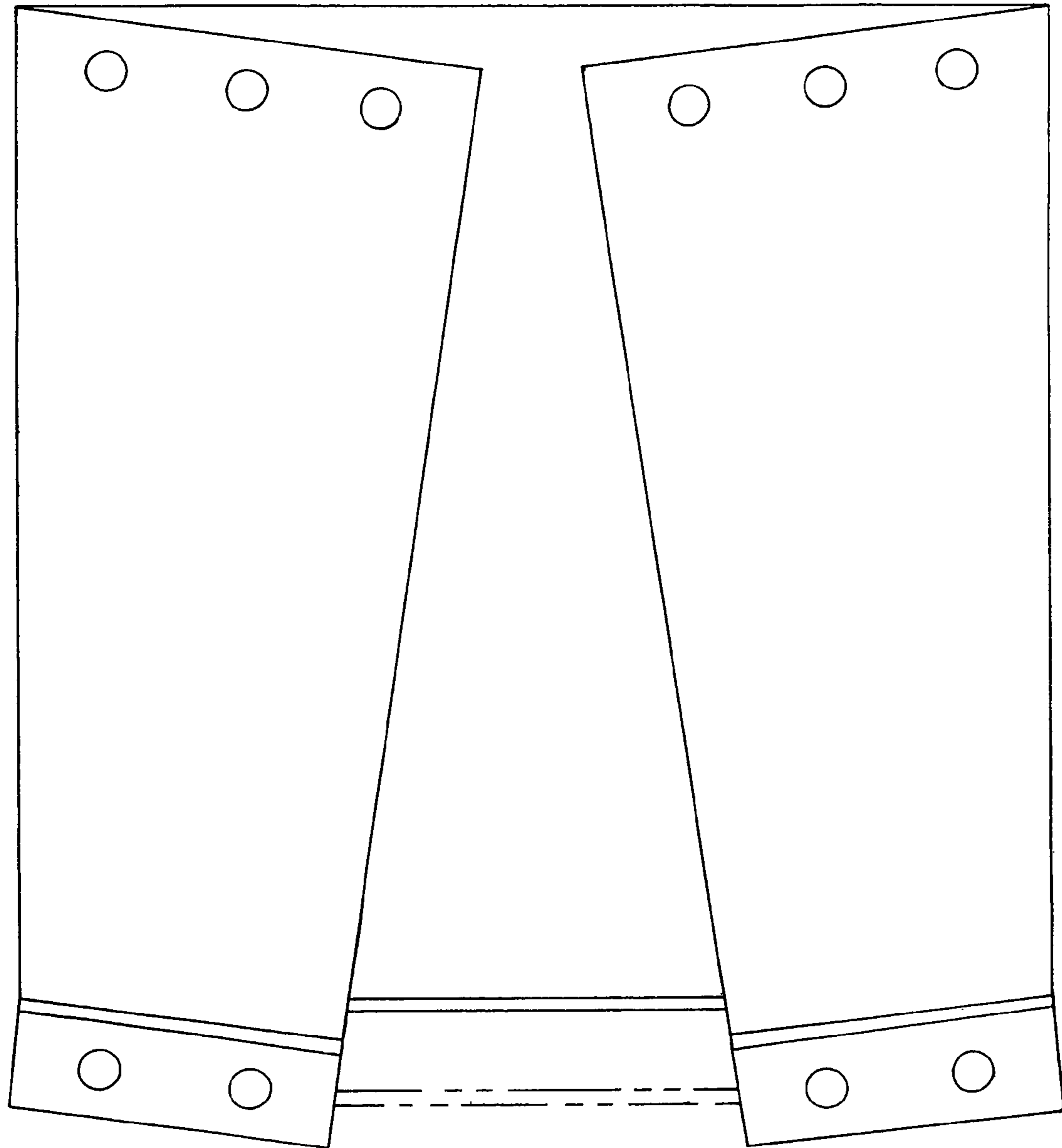


FIG. 7