



US00D579231S

(12) **United States Design Patent**
Cheng

(10) **Patent No.:** **US D579,231 S**
(45) **Date of Patent:** **** Oct. 28, 2008**

(54) **FOLD-N-STOW FILE CABINET**

(75) Inventor: **Chao Cheng**, Shenzhen (CN)

(73) Assignee: **Mooreco, Inc.**, Temple, TX (US)

(**) Term: **14 Years**

(21) Appl. No.: **29/290,649**

(22) Filed: **Dec. 31, 2007**

(51) **LOC (8) Cl.** **06-03**

(52) **U.S. Cl.** **D6/430; D6/425**

(58) **Field of Classification Search** D6/422,
D6/425-428, 429-431, 484, 485; 312/194-196,
312/258; 108/50.01, 50.02

See application file for complete search history.

(56) **References Cited**

U.S. PATENT DOCUMENTS

D178,739 S *	9/1956	Slavsky	D6/430
D182,926 S *	5/1958	Roeder	D34/25
D193,430 S *	8/1962	Stoltz	D14/304
D464,211 S *	10/2002	Chan	D6/425

* cited by examiner

Primary Examiner—Janice E Seeger

(74) *Attorney, Agent, or Firm*—Nath Law Group; Jerald L. Meyer; Derek Richmond

(57) **CLAIM**

I claim the ornamental design for the fold-n-stow file cabinet, as shown and described.

DESCRIPTION

FIG. 1 is a front left perspective view of the fold-n-stow file cabinet with table top in a folded position;

FIG. 2 is a front right perspective view of the fold-n-stow file cabinet with table top in a folded position;

FIG. 3 is a rear-right perspective view of the fold-n-stow file cabinet with table top in an extended position.

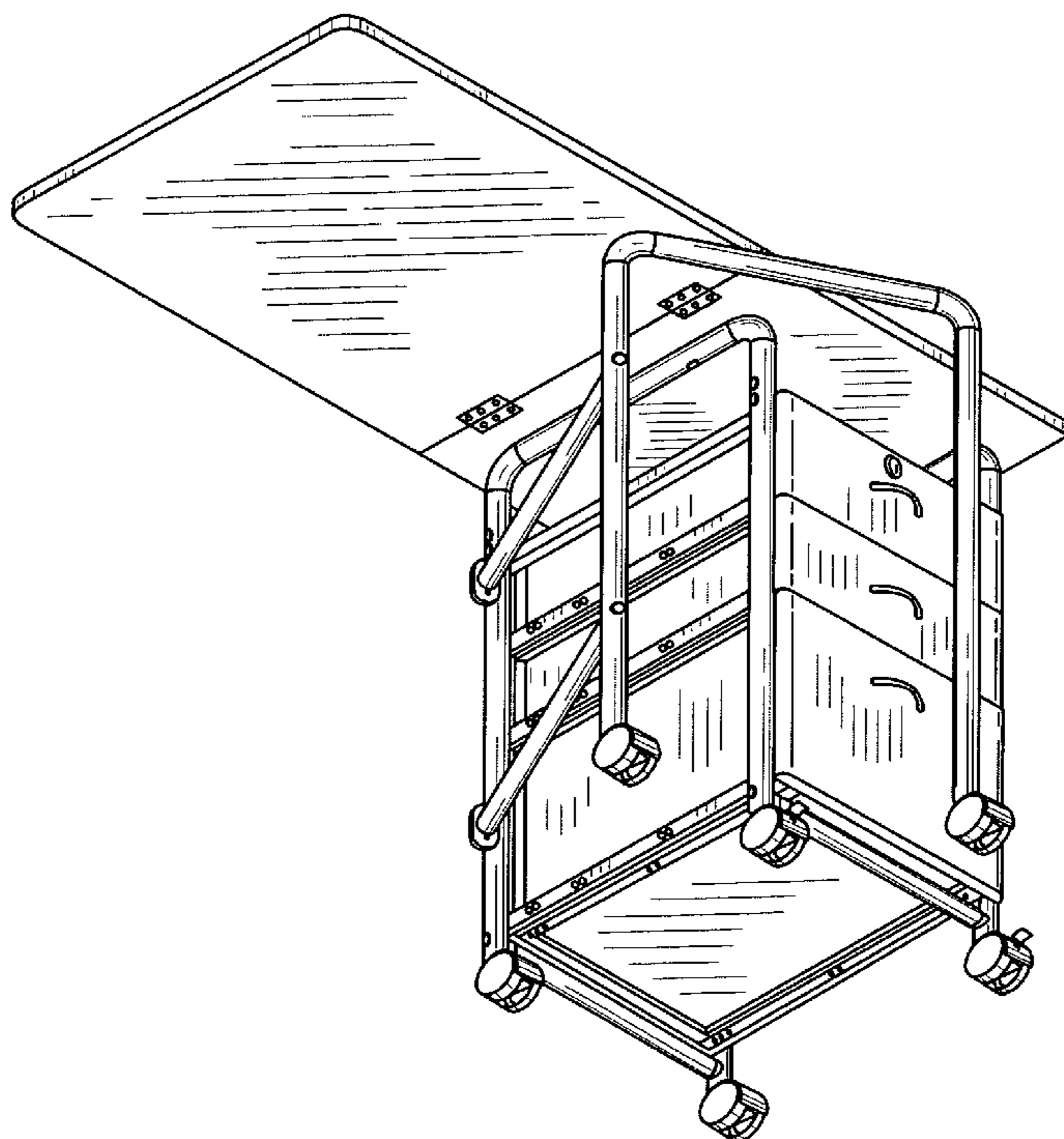
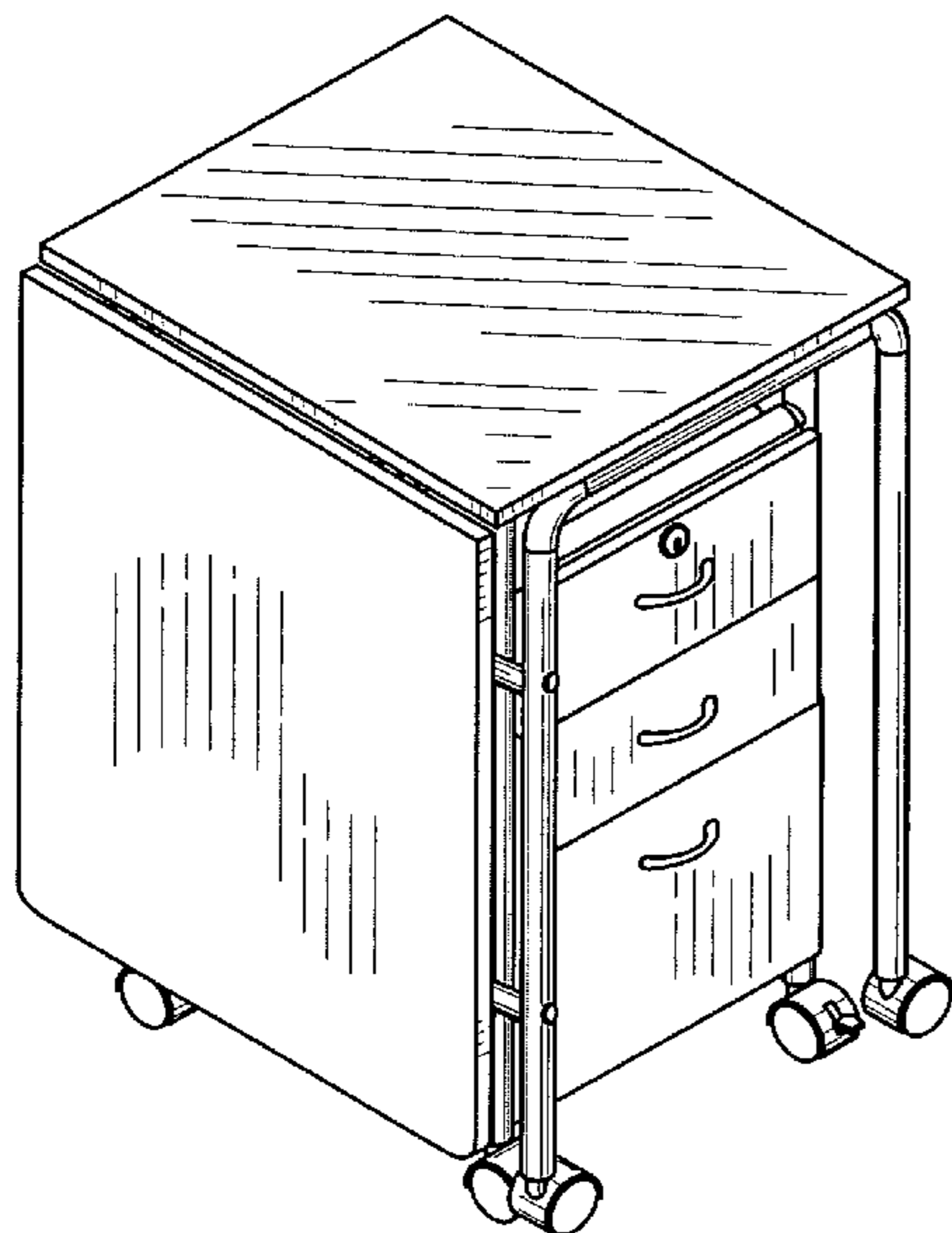
FIG. 4 is a rear-left perspective view of the fold-n-stow file cabinet with table top in an extended position.

FIG. 5 is a front view of the fold-n-stow file cabinet showing foldable legs in a transitional position.

FIG. 6 is a top view of the fold-n-stow file cabinet with table top in an extended position; and,

FIG. 7 is a right side view of the fold-n-stow file cabinet with table top in an extended position, the left side view being the same.

1 Claim, 5 Drawing Sheets



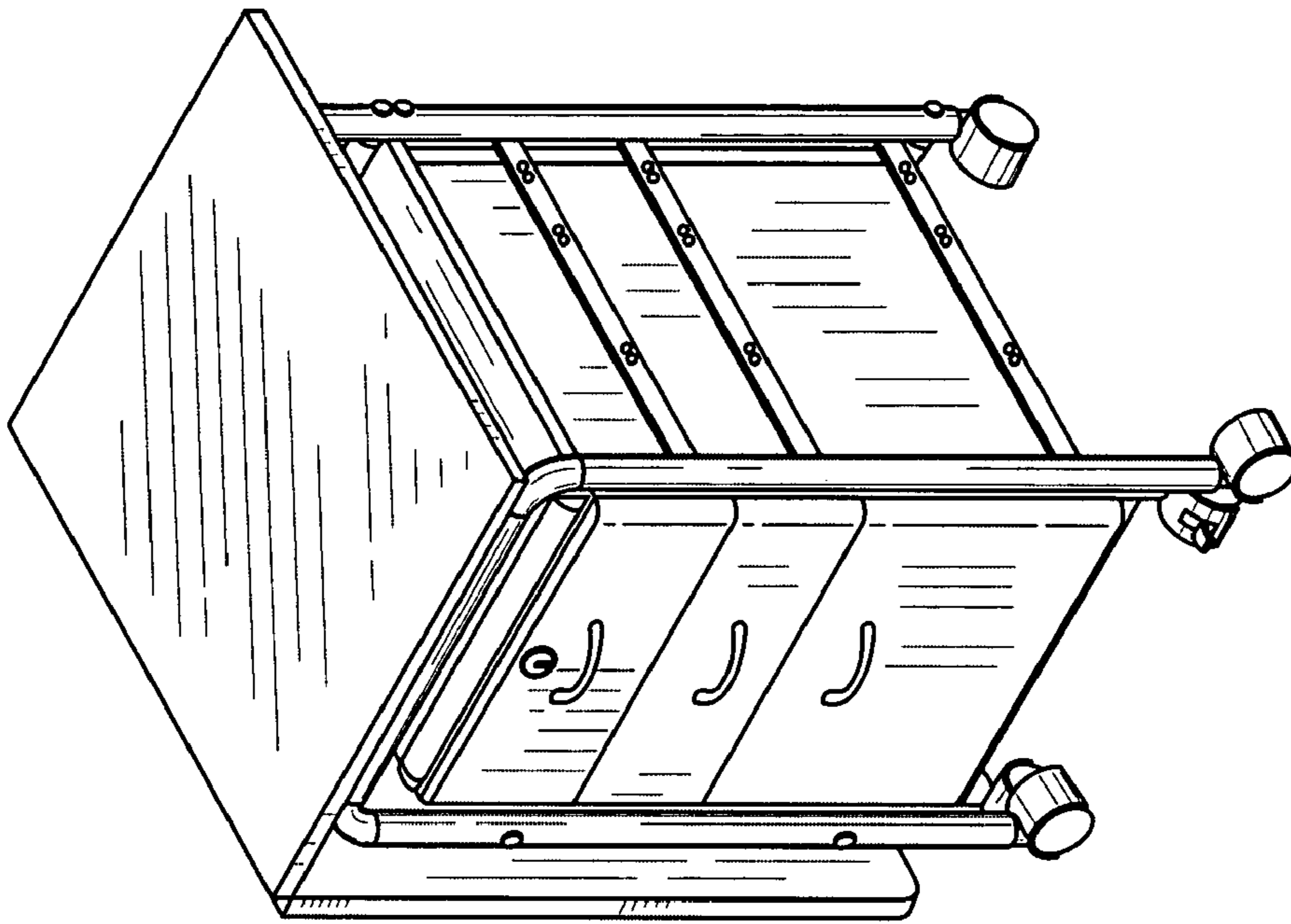


FIG. 2

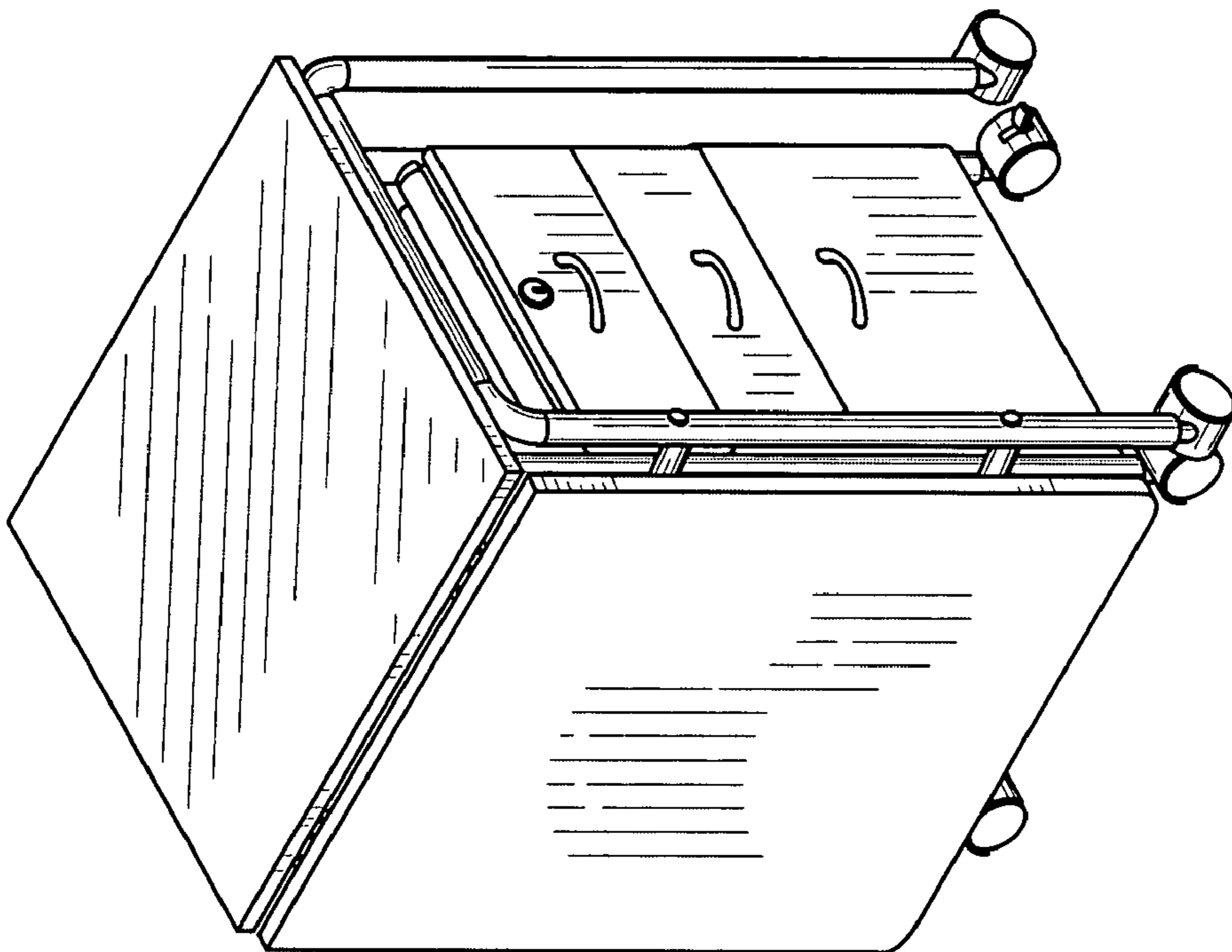


FIG. 1

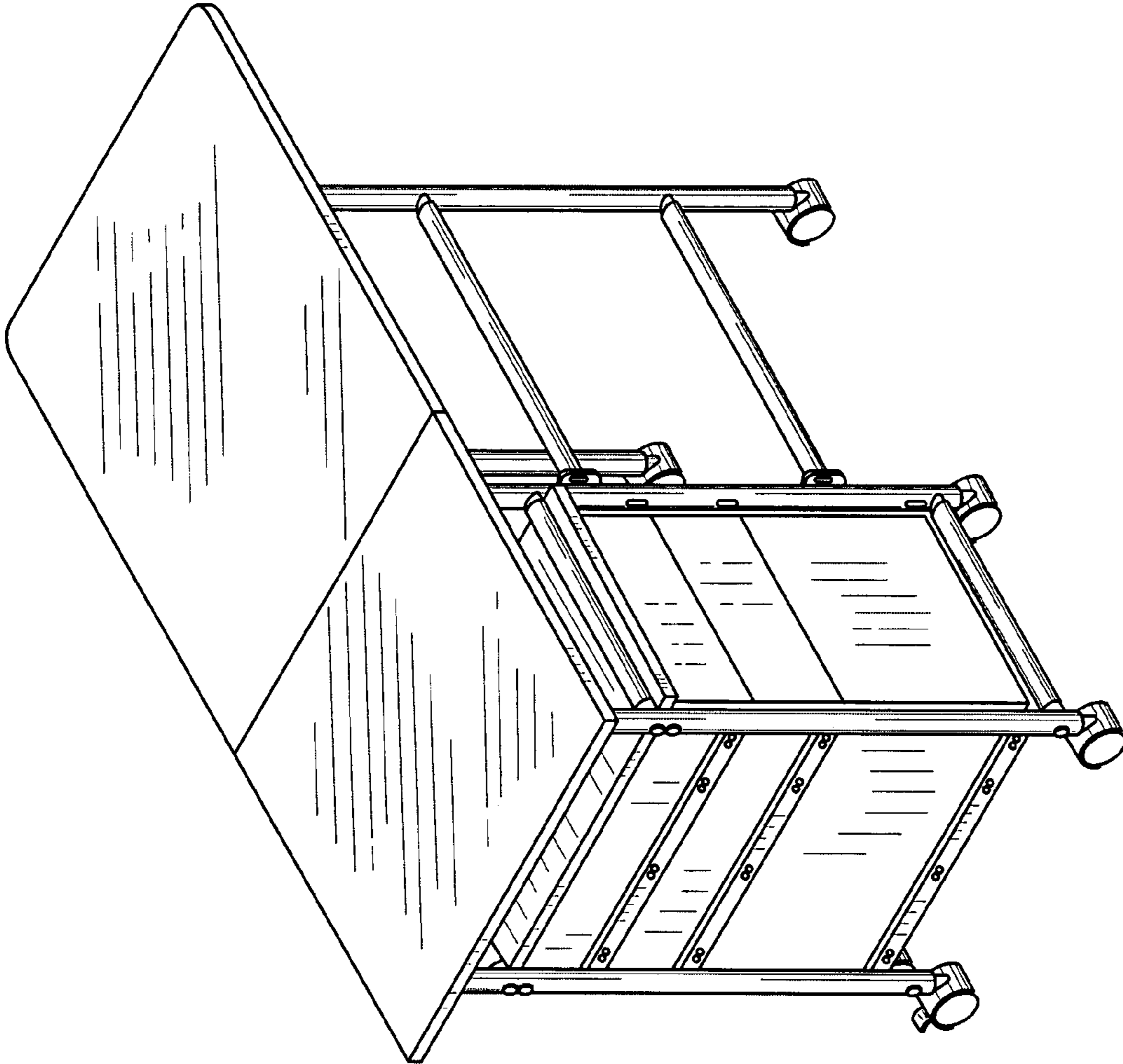


FIG. 3

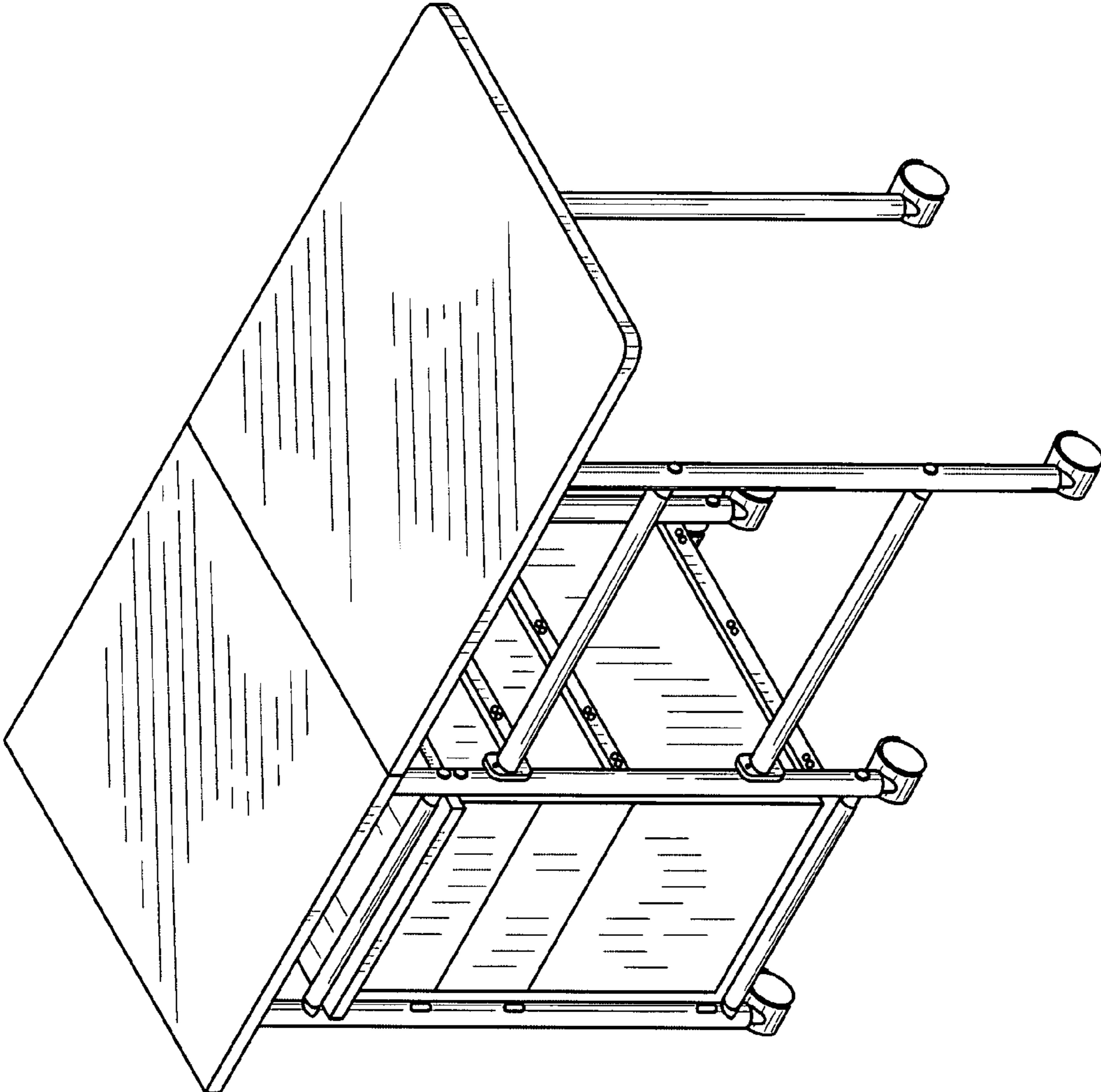


FIG. 4

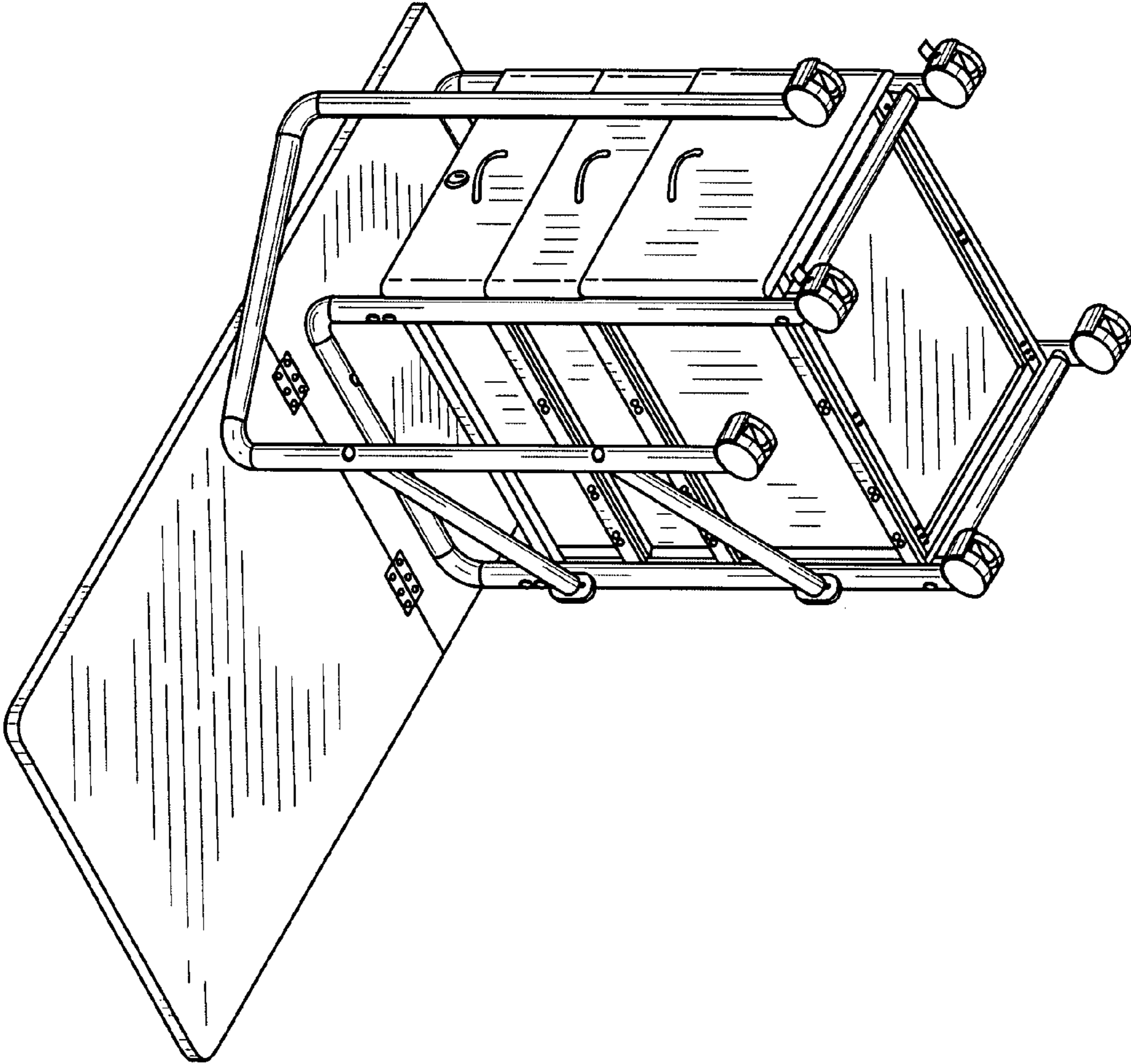


FIG. 5

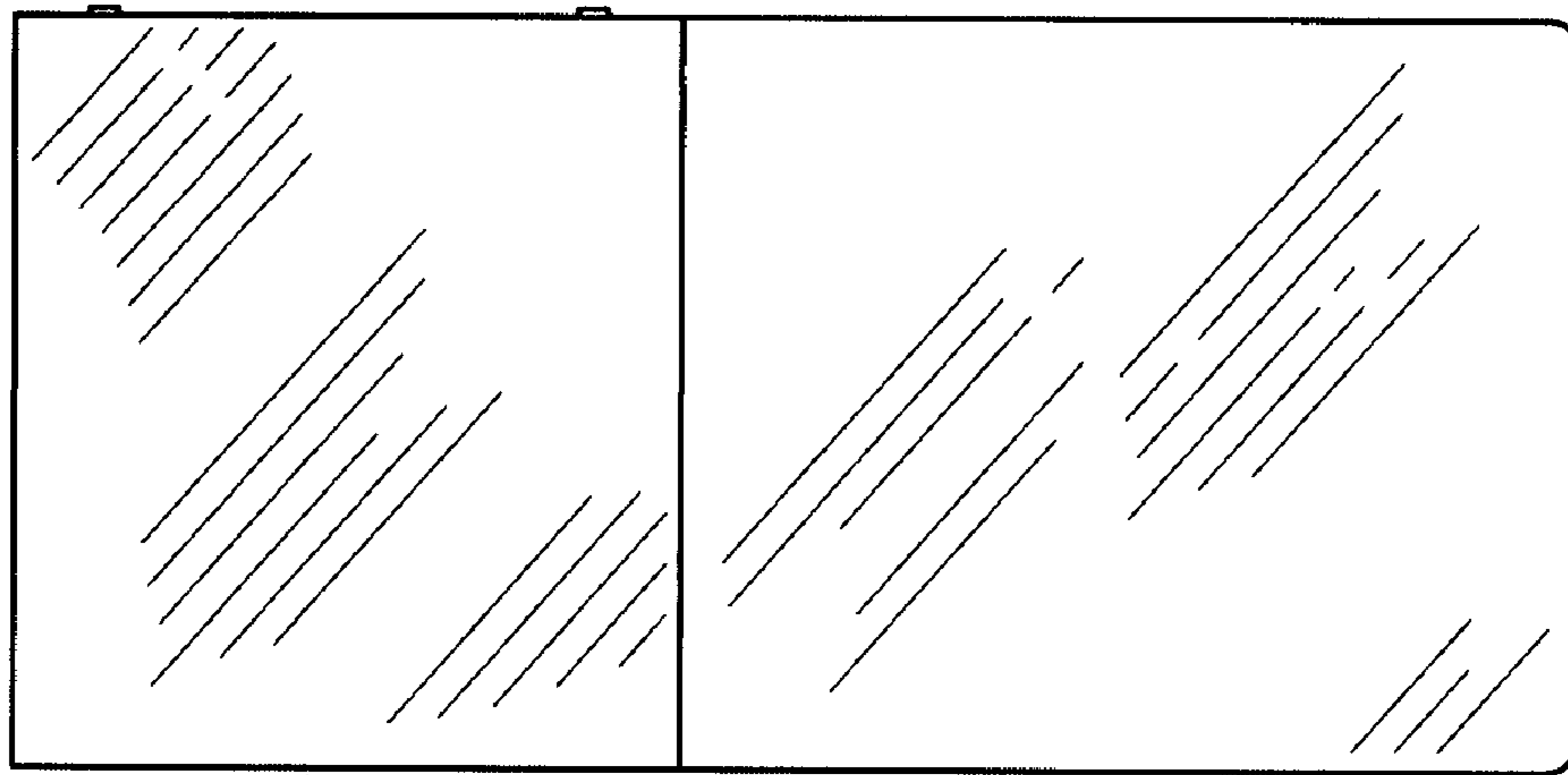


FIG. 6

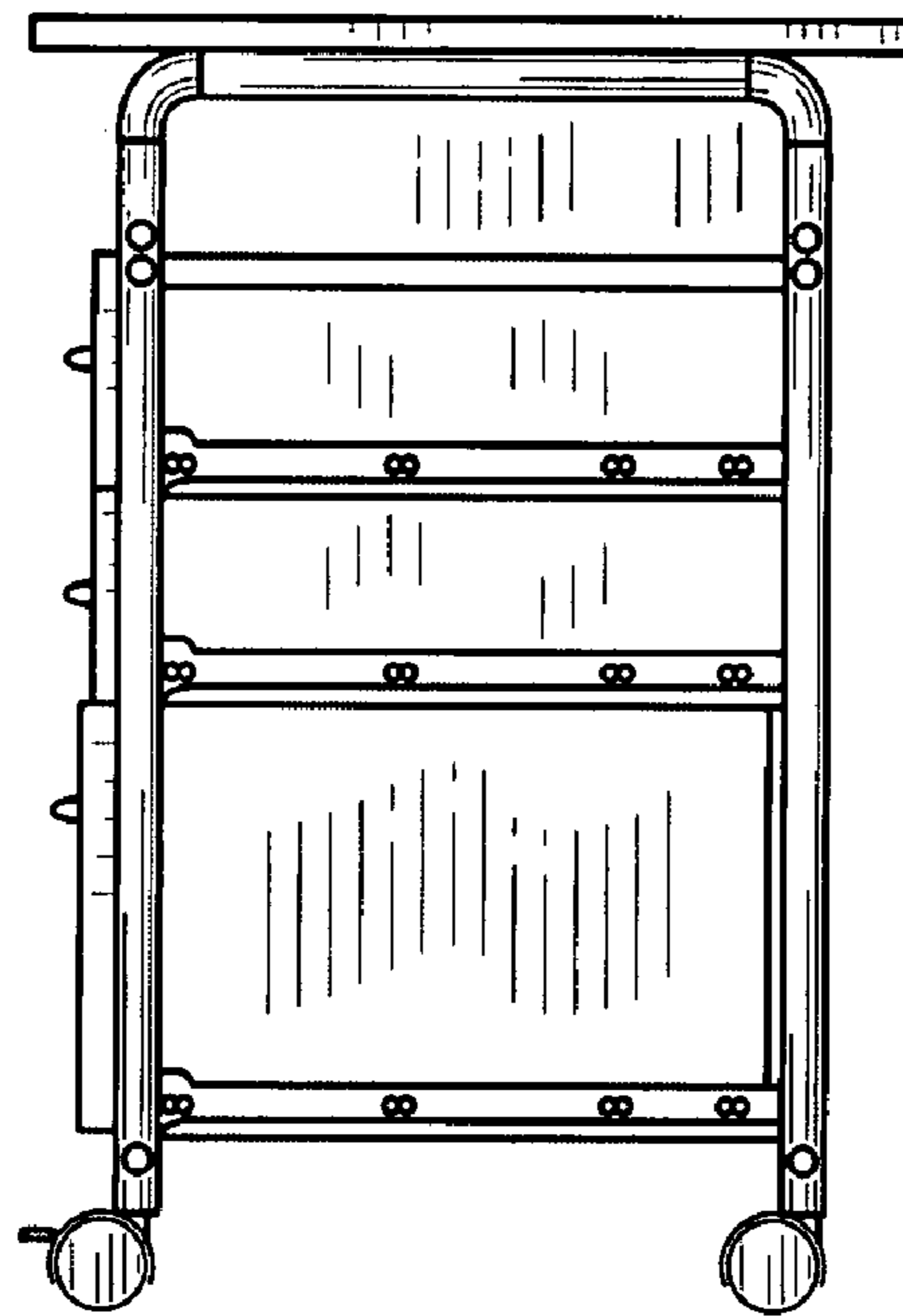


FIG. 7