



US00D579226S

(12) **United States Design Patent**
Pinaffo et al.

(10) **Patent No.:** **US D579,226 S**
(45) **Date of Patent:** **** Oct. 28, 2008**

(54) **CHAIR**

(75) Inventors: **Angelo Pinaffo**, Vigonza (IT); **Paolo Scagnellato**, Padua (IT)

(73) Assignee: **Cerantola S.p.A.**, Loria, Frazione Ramon (IT)

(**) Term: **14 Years**

(21) Appl. No.: **29/287,655**

(22) Filed: **Sep. 4, 2007**

Related U.S. Application Data

(62) Division of application No. 29/256,026, filed on Mar. 16, 2006.

Foreign Application Priority Data

Oct. 26, 2005 (EM) 000423454-001/-008

(51) **LOC (8) Cl.** **06-01**

(52) **U.S. Cl.** **D6/379**

(58) **Field of Classification Search** D6/376,
D6/374, 379-380, 334-335, 500-502, 370;
297/452.1, 446.1, 58, 452.46, 452.64, 448.1,
297/445.1, 452.29, 411.44

See application file for complete search history.

(56) **References Cited**

U.S. PATENT DOCUMENTS

D254,880 S * 5/1980 Durney D6/379

D298,492 S * 11/1988 Ochsner D6/379
D358,502 S * 5/1995 Gioacchini D6/379
D432,326 S * 10/2000 Duffy et al. D6/379
D436,751 S * 1/2001 Schacht D6/379
D459,604 S * 7/2002 Piretti D6/380
D474,349 S * 5/2003 Striebel D6/379
6,899,396 B2 * 5/2005 Bales 297/446.2
D540,559 S * 4/2007 Neil D6/379
D544,234 S * 6/2007 Olano D6/379

* cited by examiner

Primary Examiner—Caron D. Veynar

Assistant Examiner—Abraham Bahta

(74) *Attorney, Agent, or Firm*—Modiano & Associati; Albert Josif; Daniel J. O’Byrne

(57) **CLAIM**

The ornamental design for a “chair”, as shown and described.

DESCRIPTION

FIG. 1 is a perspective view of a chair, showing our new design;

FIG. 2 is a front view thereof,

FIG. 3 is a rear view thereof;

FIG. 4 is a right side view thereof;

FIG. 5 is a left side view thereof;

FIG. 6 is a plan view thereof taken from above; and,

FIG. 7 is a plan view thereof taken from below.

1 Claim, 7 Drawing Sheets

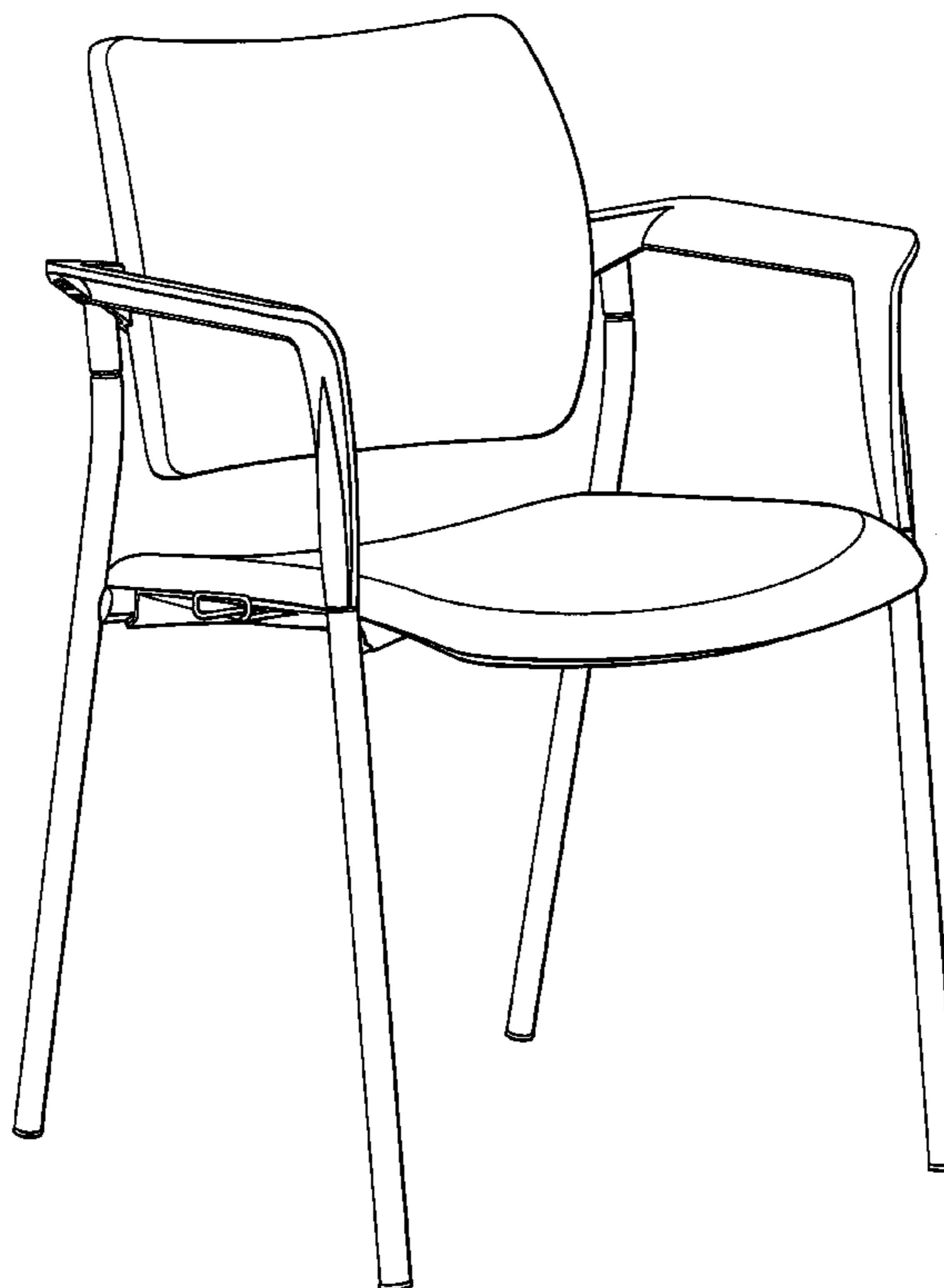




FIG. 1

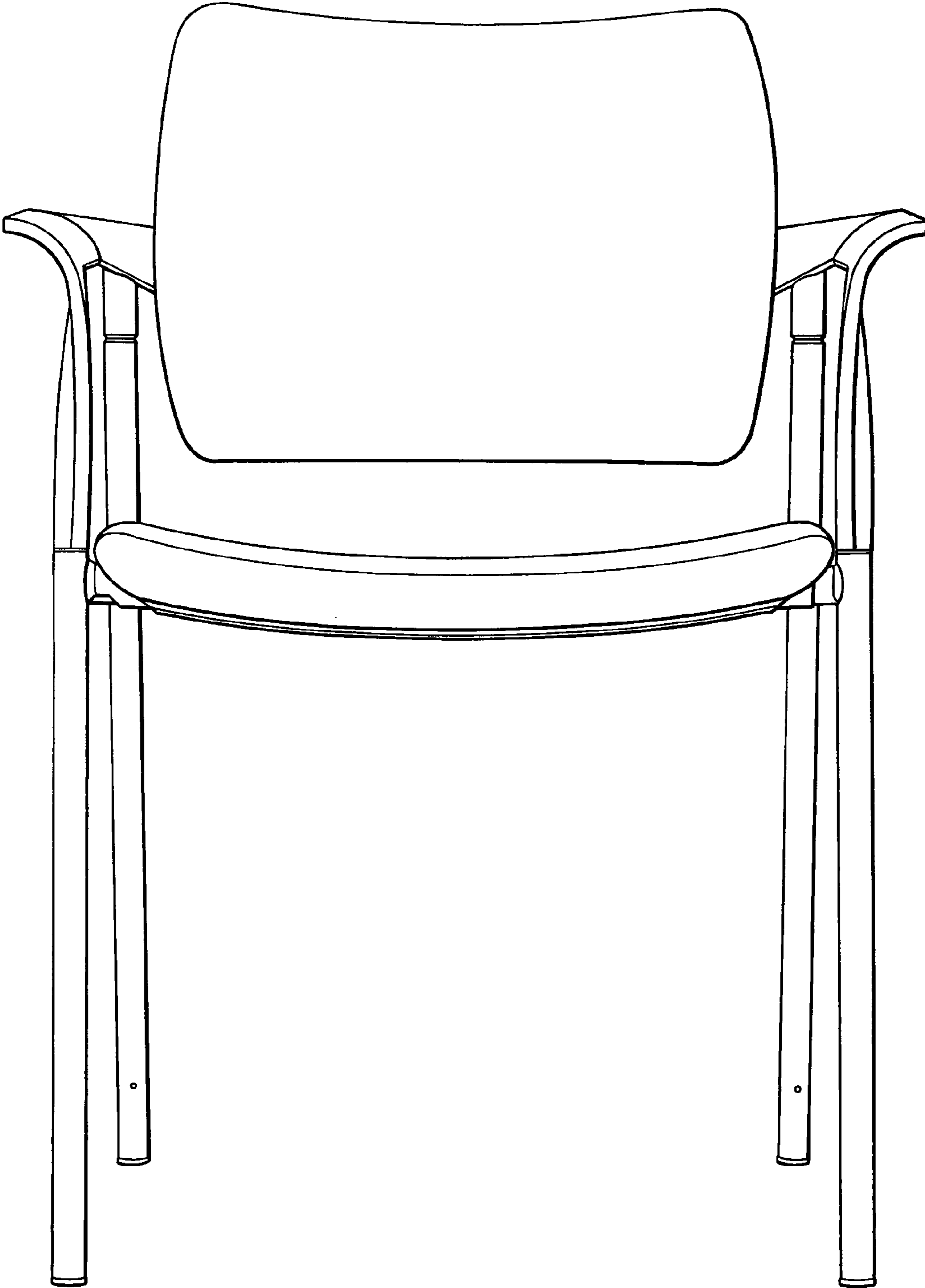


FIG. 2

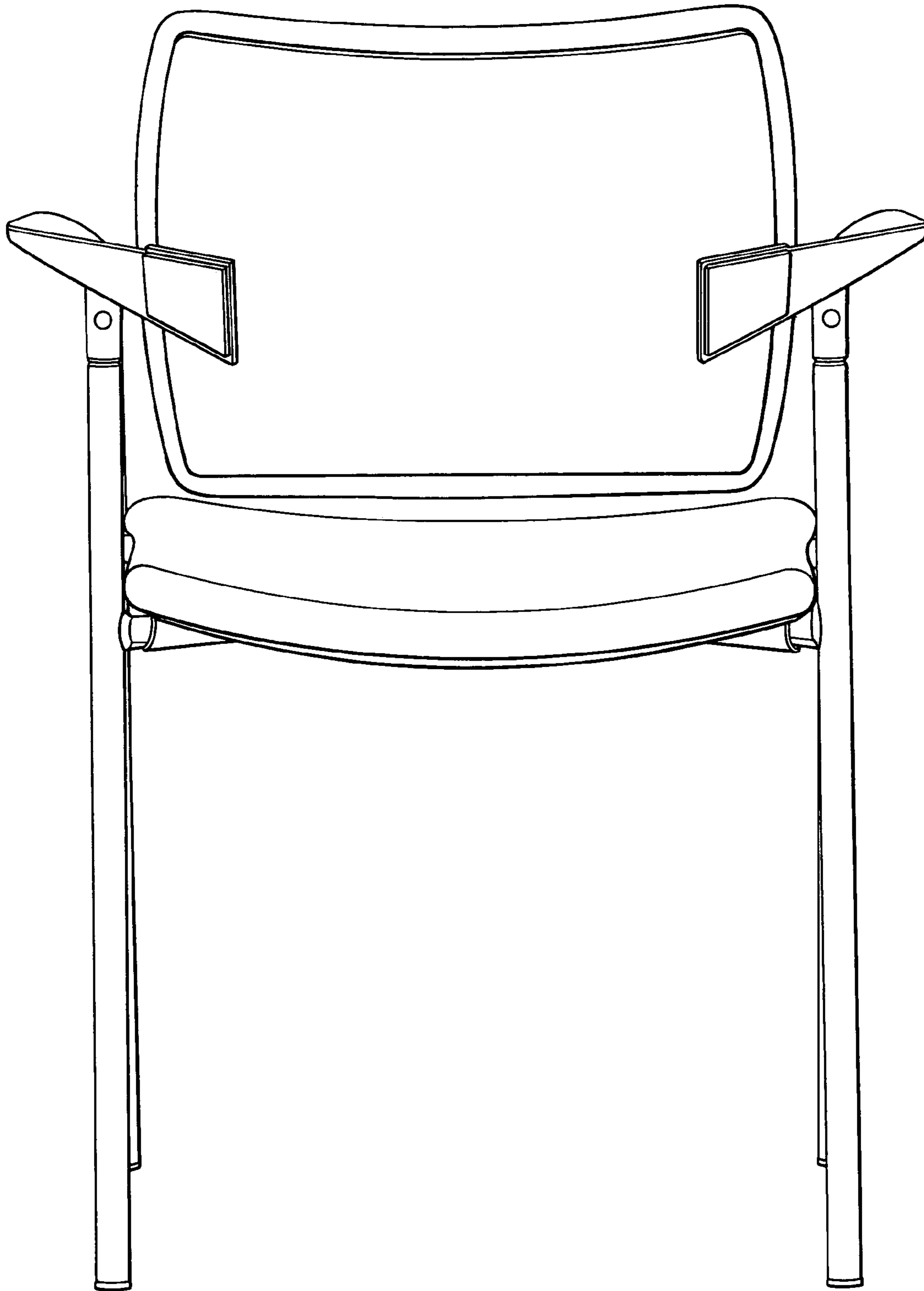


FIG. 3

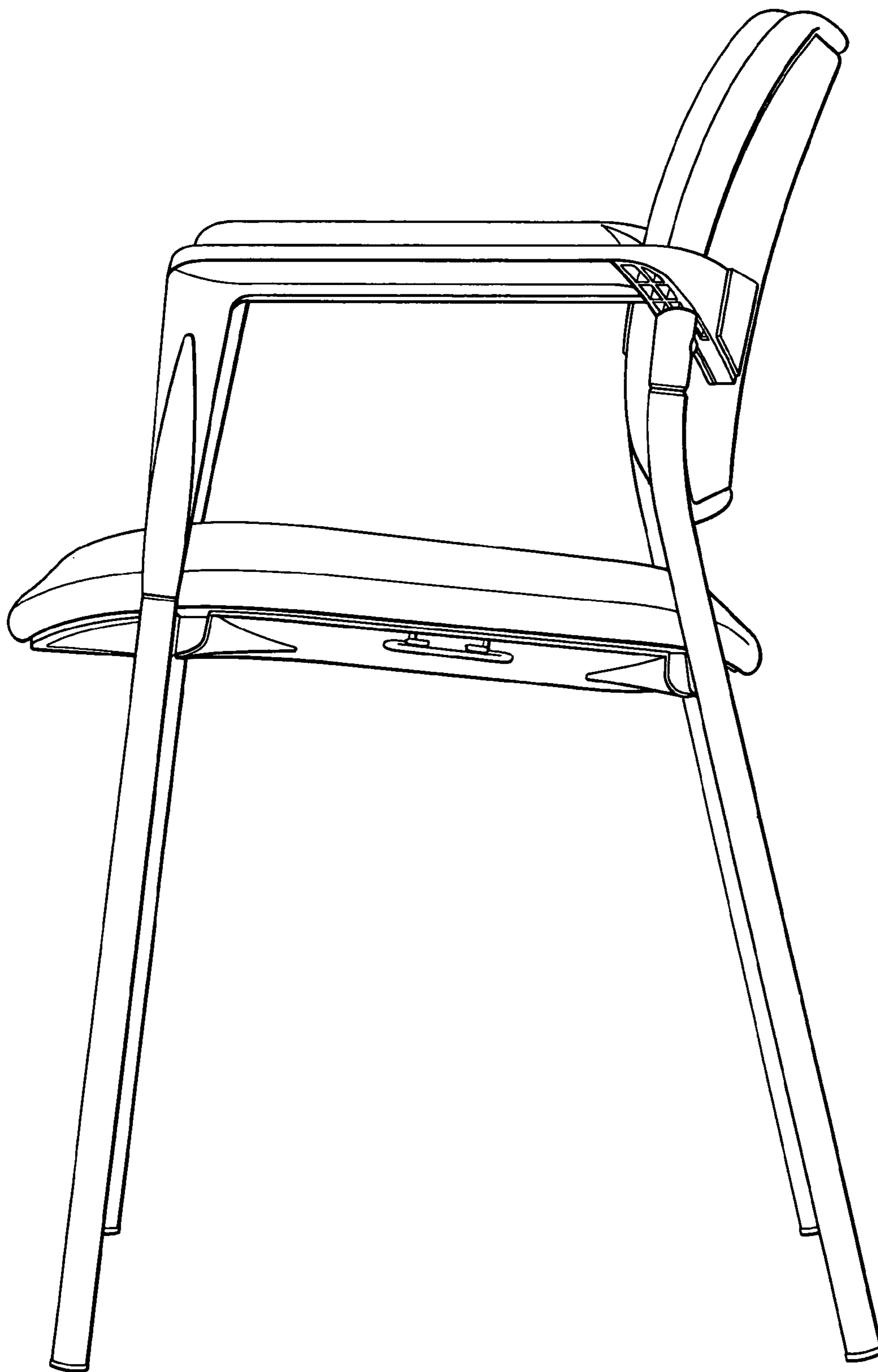


FIG. 4

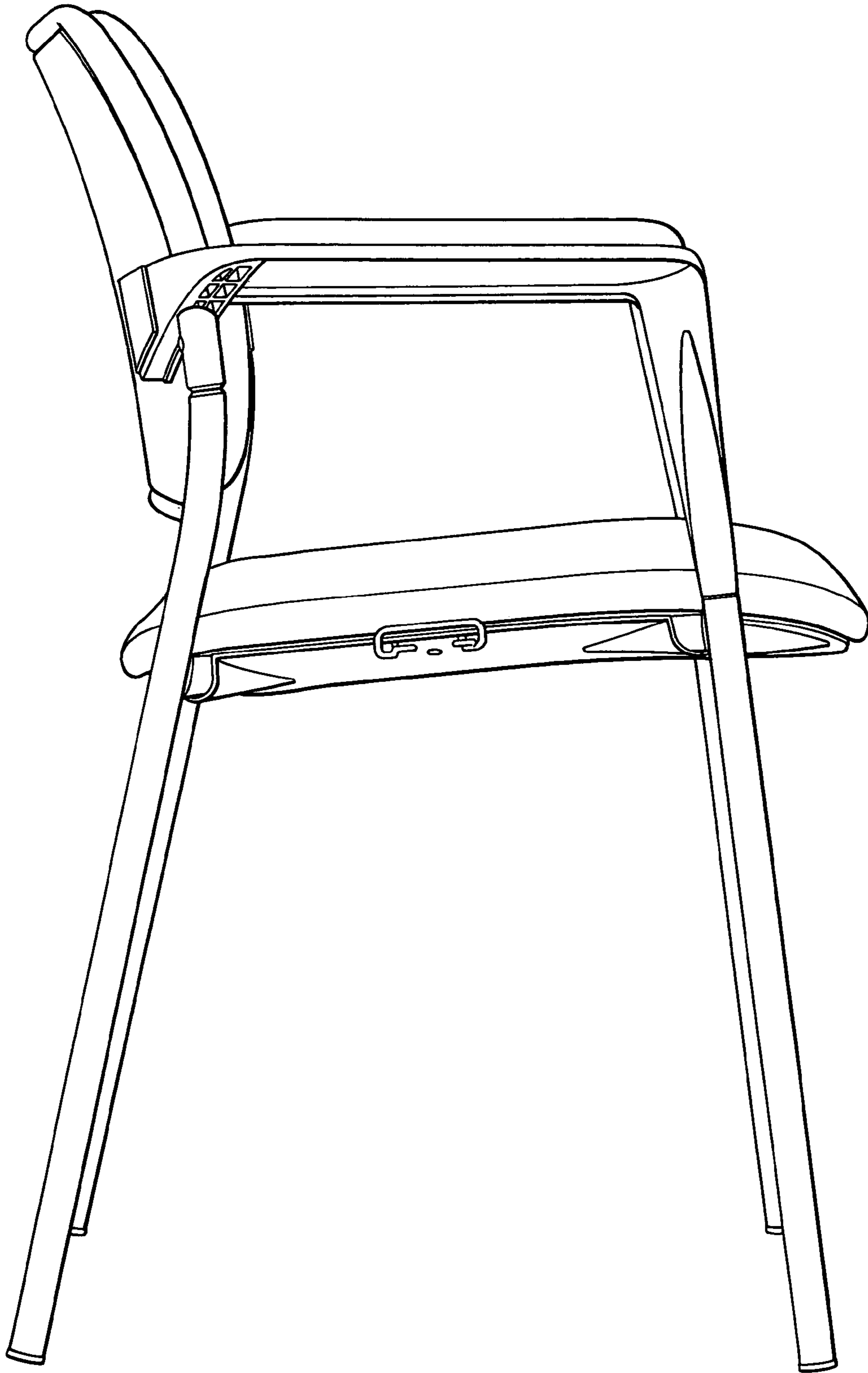


FIG. 5

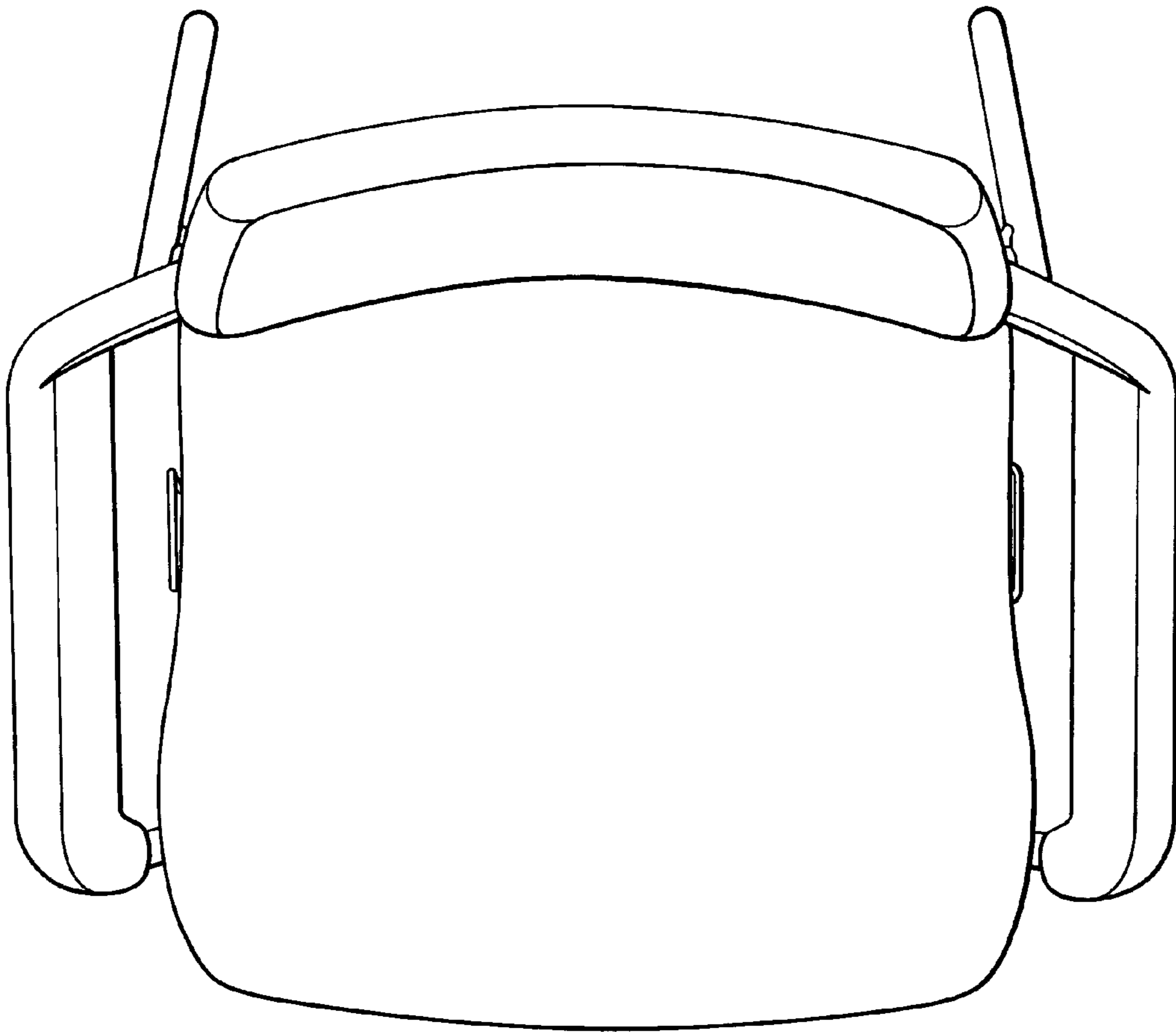


FIG. 6

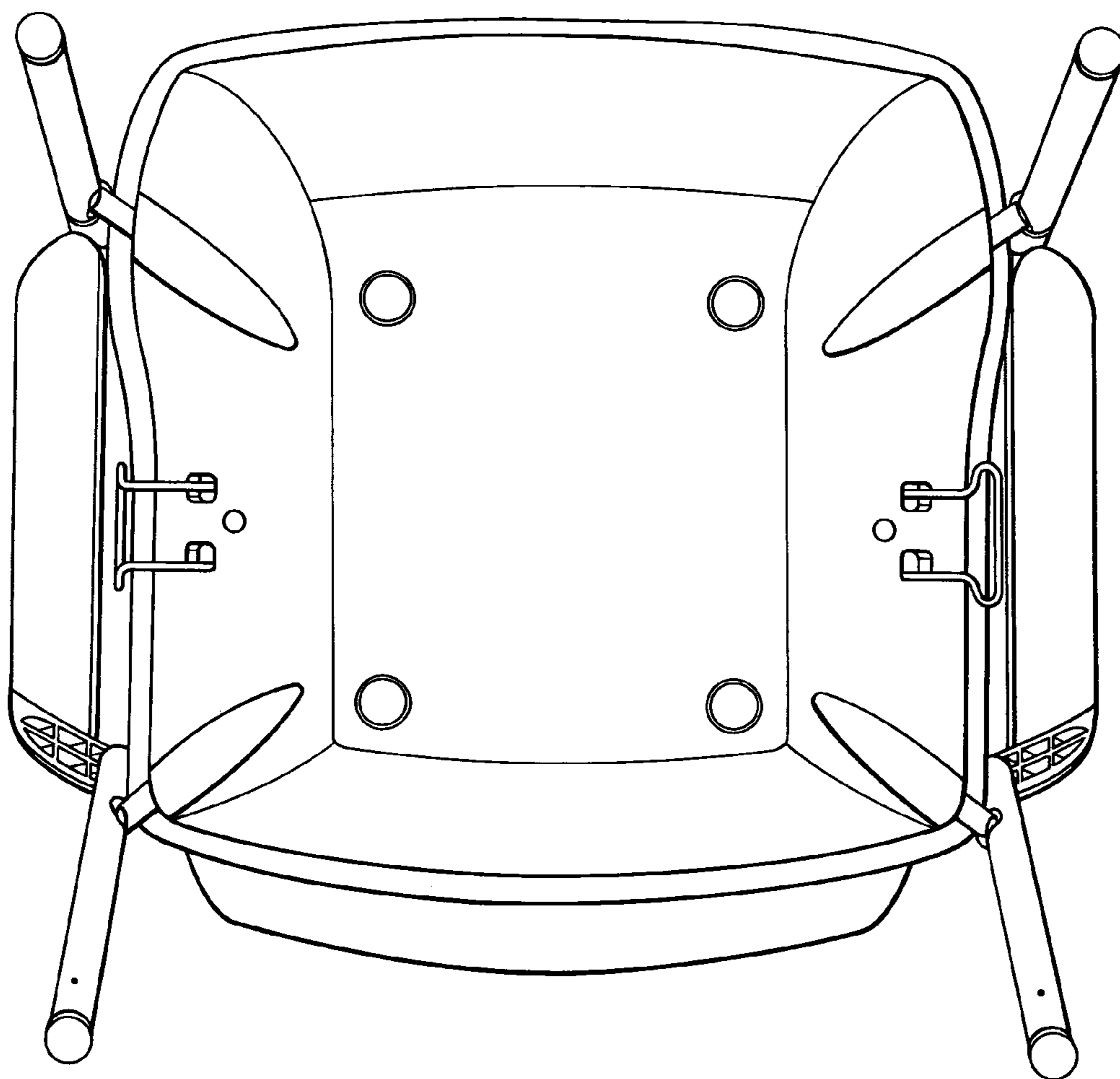


FIG. 7