



US00D579223S

(12) **United States Design Patent**
Greutmann

(10) **Patent No.:** **US D579,223 S**
(45) **Date of Patent:** **** Oct. 28, 2008**

(54) **CHAIR**

(75) Inventor: **Urs Greutmann, Zurich (CH)**

(73) Assignee: **Stoll Giroflex AG, Koblenz (CH)**

(**) Term: **14 Years**

(21) Appl. No.: **29/304,391**

(22) Filed: **Feb. 29, 2008**

(30) **Foreign Application Priority Data**

Sep. 3, 2007 (WO) DM/069 398

(51) **LOC (8) Cl.** **06-01**

(52) **U.S. Cl.** **D6/366**

(58) **Field of Classification Search** D6/334-336,
D6/364, 365, 366, 367, 369, 379, 380, 498,
D6/500-502; 297/284.4, 284.7, 300.2, 411.27,
297/452.13, 452.21, 452.29, 452.3, 452.35,
297/452.46, 452.56, 452.64

See application file for complete search history.

(56) **References Cited**

U.S. PATENT DOCUMENTS

D309,532 S *	7/1990	Dozsa-Farkas	D6/366
D309,533 S *	7/1990	Dozsa-Farkas	D6/366
D309,534 S *	7/1990	Dozsa-Farkas	D6/366
D423,260 S *	4/2000	Grove	D6/500
D489,541 S *	5/2004	Su	D6/366
D510,488 S *	10/2005	Su	D6/366
D514,832 S *	2/2006	Tsai	D6/366

D540,079 S *	4/2007	Bock	D6/502
D540,080 S *	4/2007	Su	D6/502
D548,994 S *	8/2007	Mao et al.	D6/366
D559,571 S *	1/2008	Meda	D6/366
7,344,194 B2 *	3/2008	Maier et al.	297/284.7
2003/0080595 A1 *	5/2003	Wilkerson et al.	297/300.2
2007/0216208 A1 *	9/2007	Maier et al.	297/284.4

* cited by examiner

Primary Examiner—Mimosa De

(74) *Attorney, Agent, or Firm*—Greenblum & Bernstein, P.L.C.

(57) **CLAIM**

I claim the ornamental design for a chair, as shown and described.

DESCRIPTION

FIG. 1 is a front and right side perspective view of a chair, showing my new design;

FIG. 2 is a front view thereof;

FIG. 3 is a rear view thereof;

FIG. 4 is a left side view thereof;

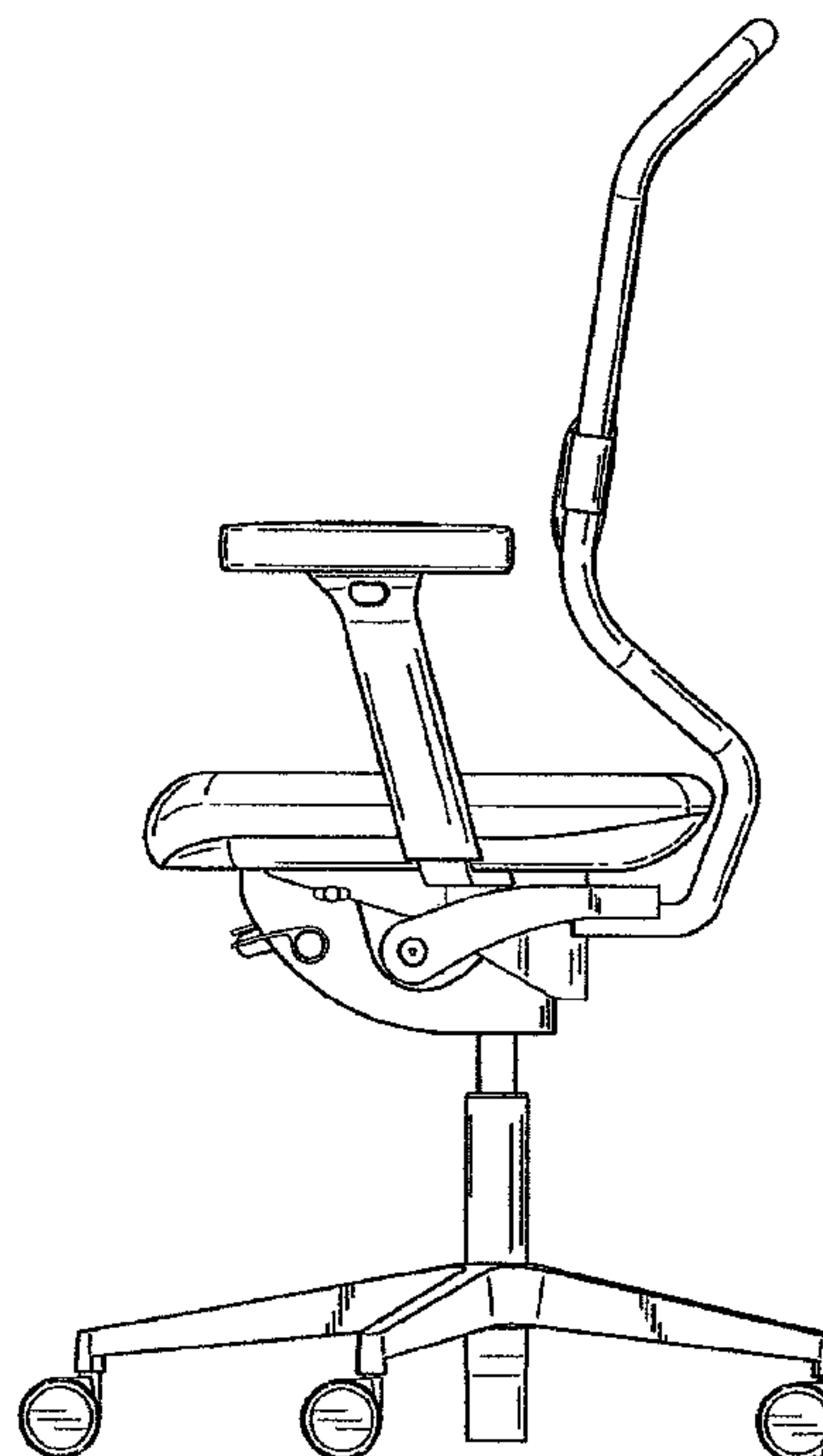
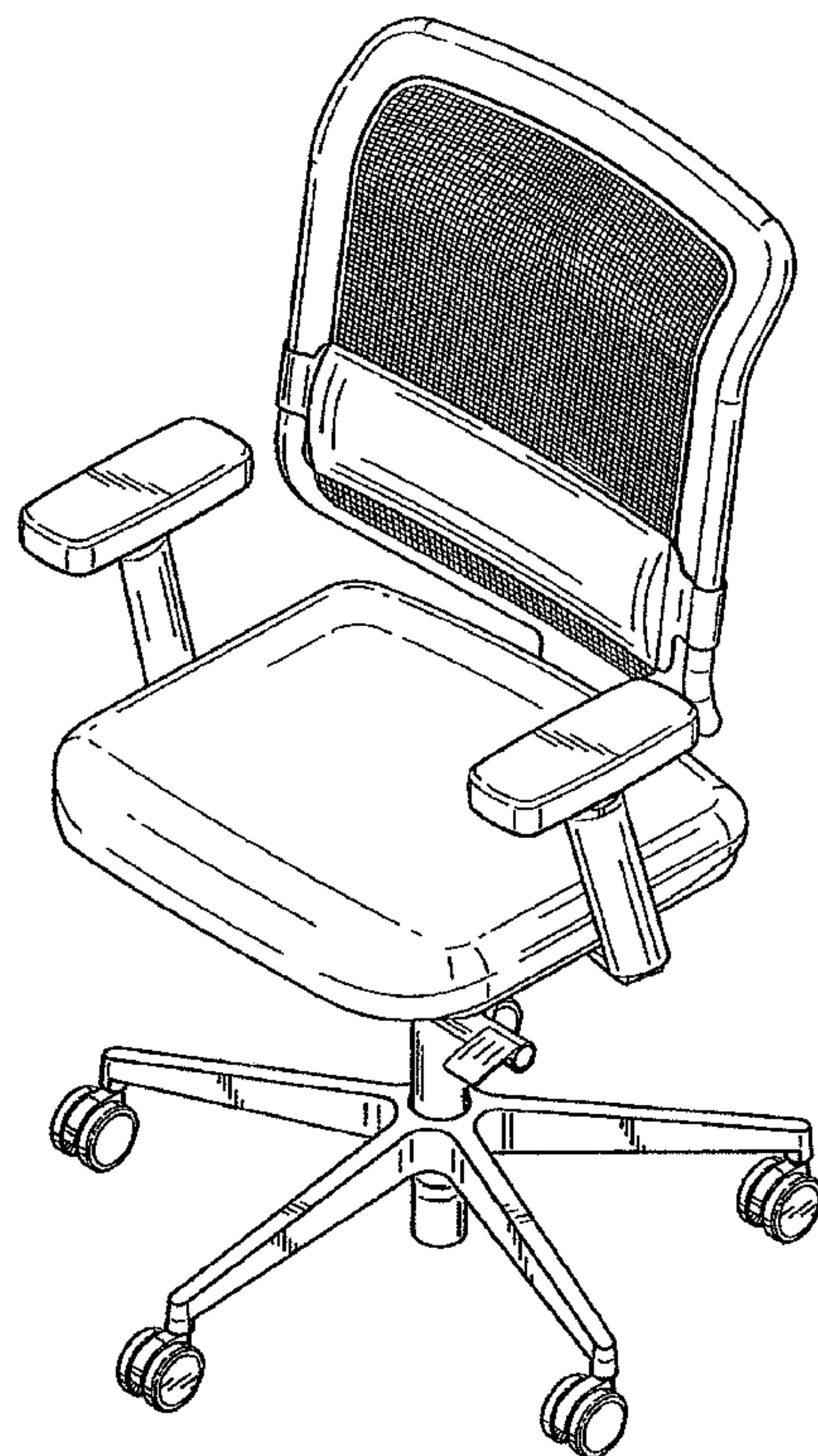
FIG. 5 is a right side view thereof;

FIG. 6 is a top view thereof; and,

FIG. 7 is a bottom view thereof.

Any surface of the design not shown form no part of the claimed invention.

1 Claim, 7 Drawing Sheets



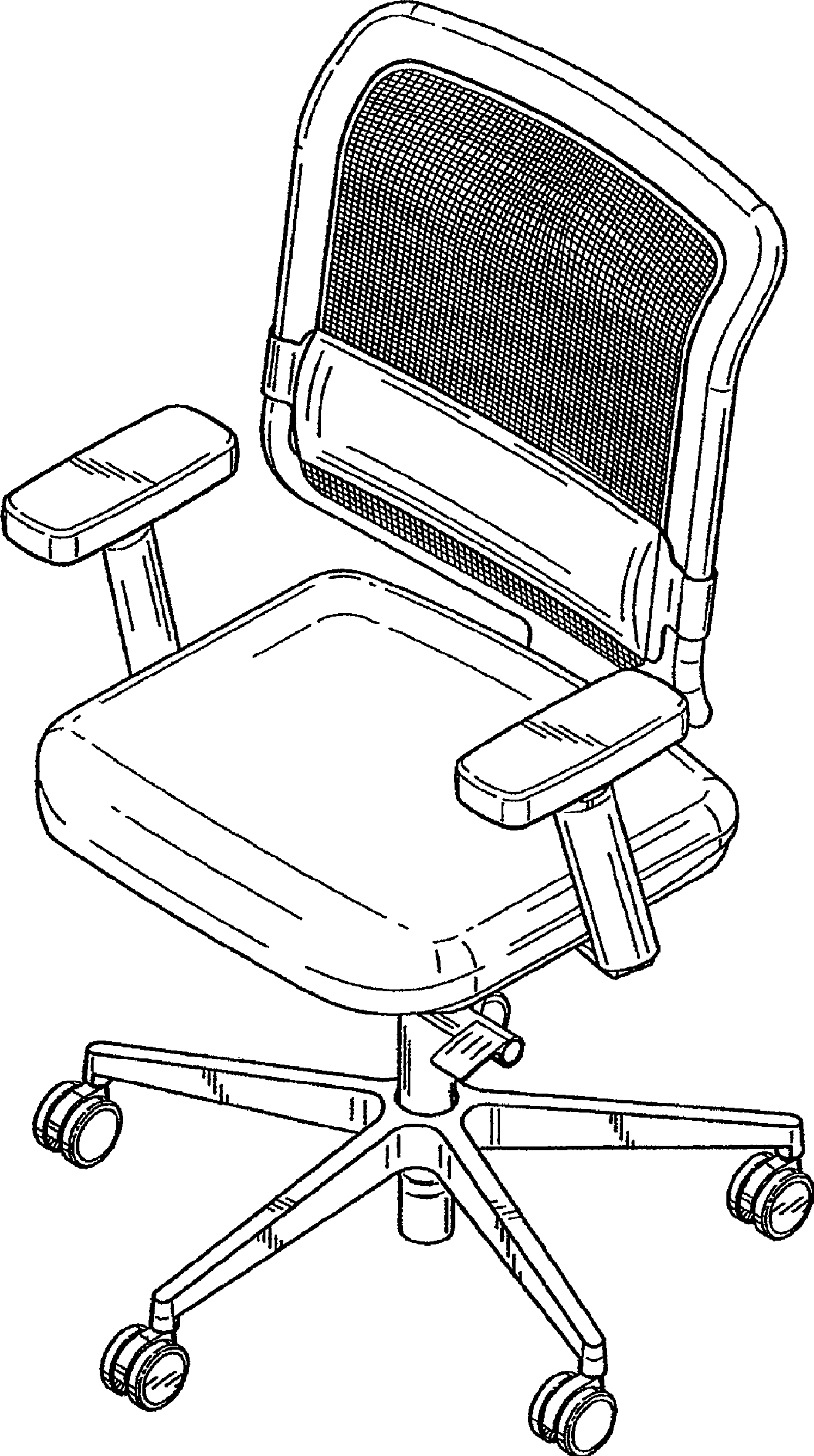


FIG. 1

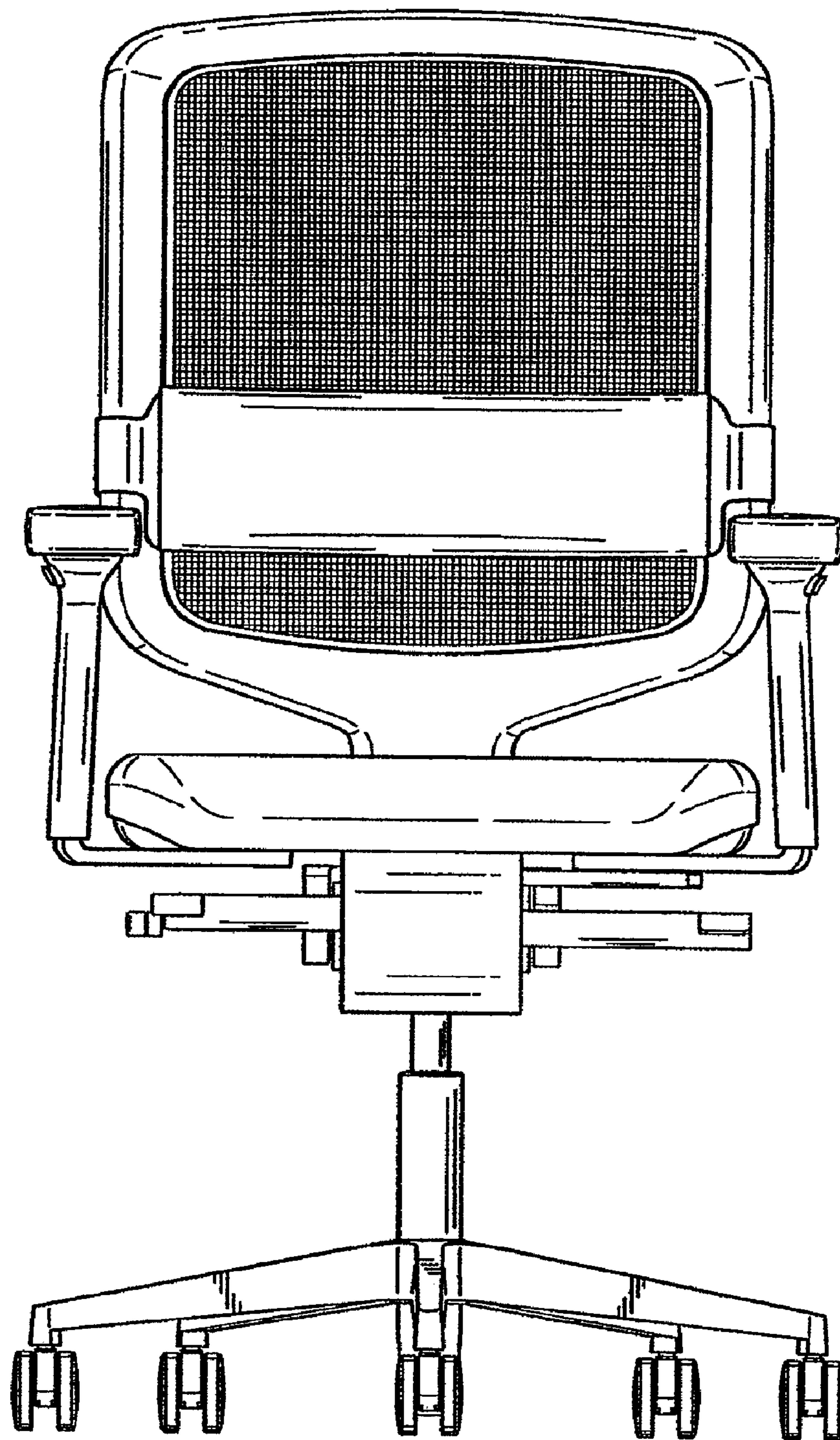


FIG. 2

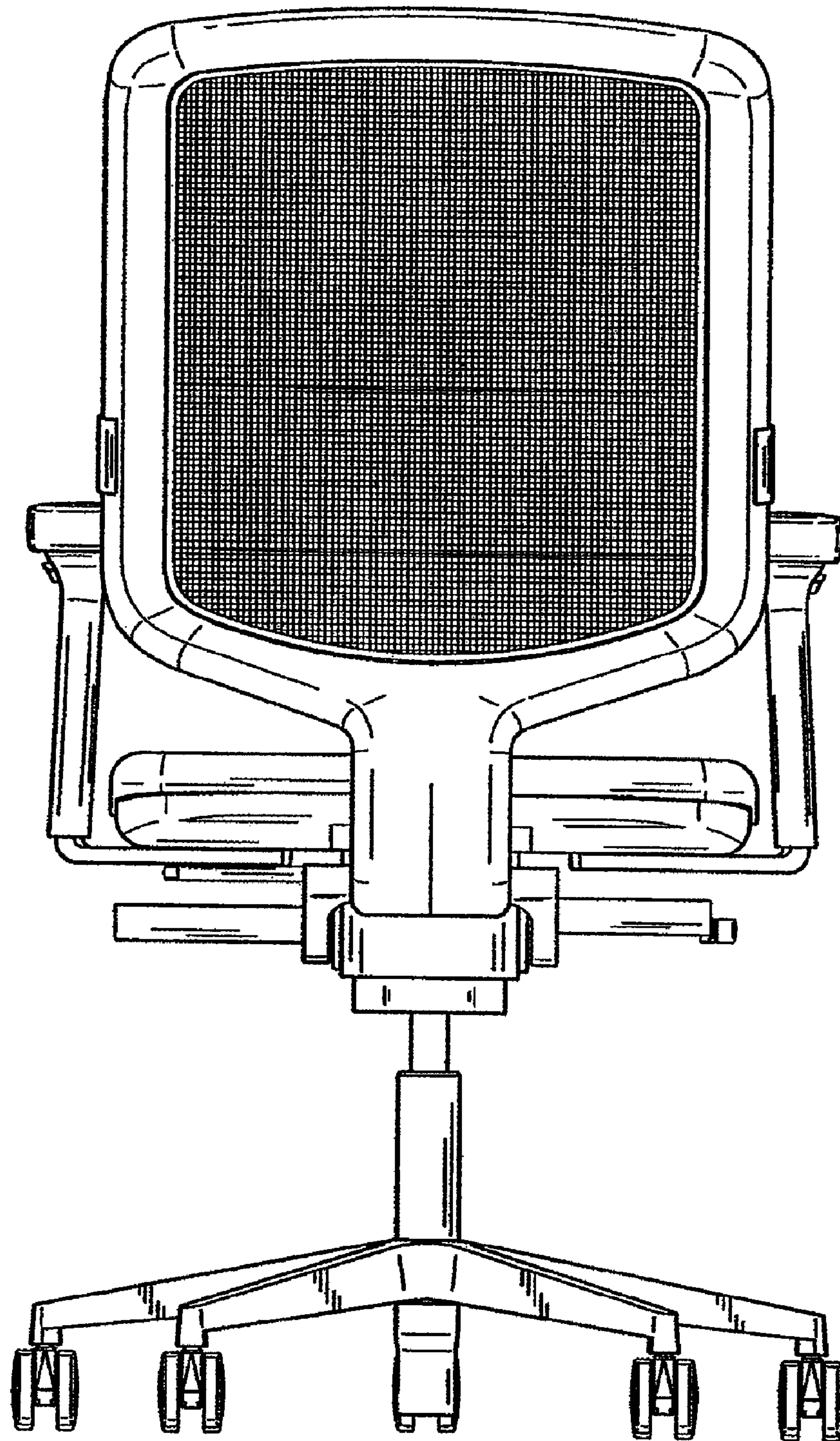


FIG. 3

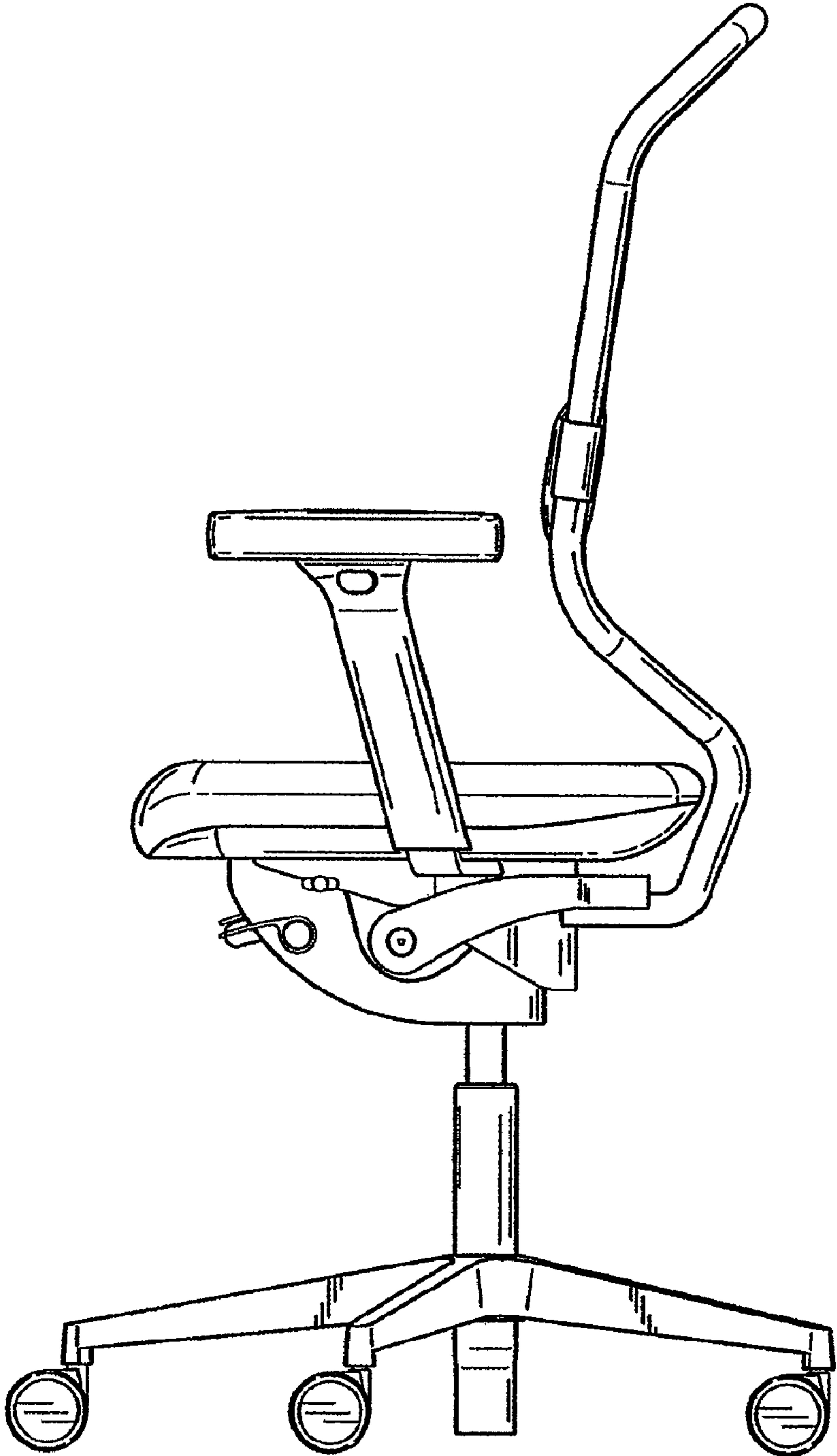


FIG. 4

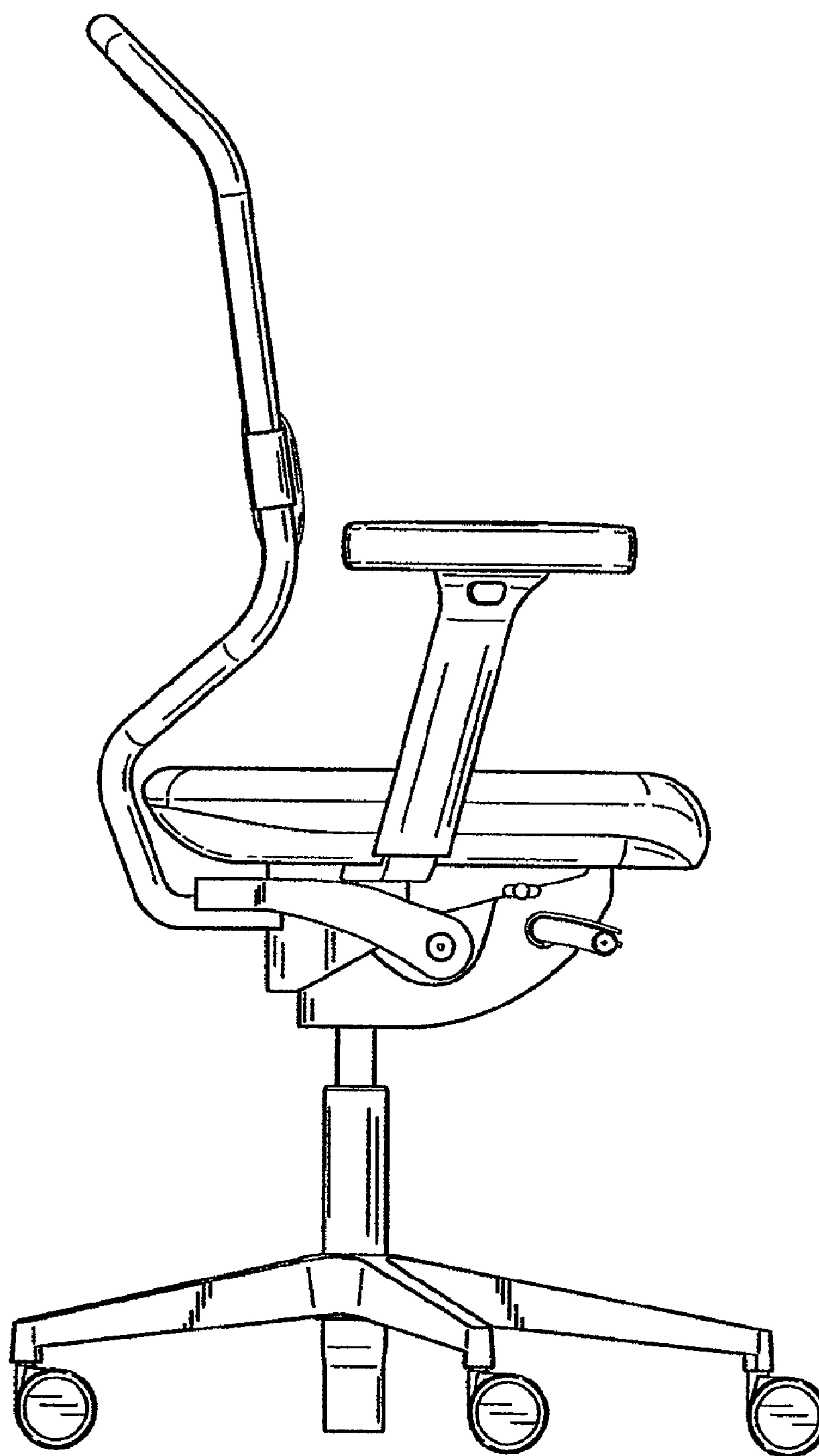


FIG. 5

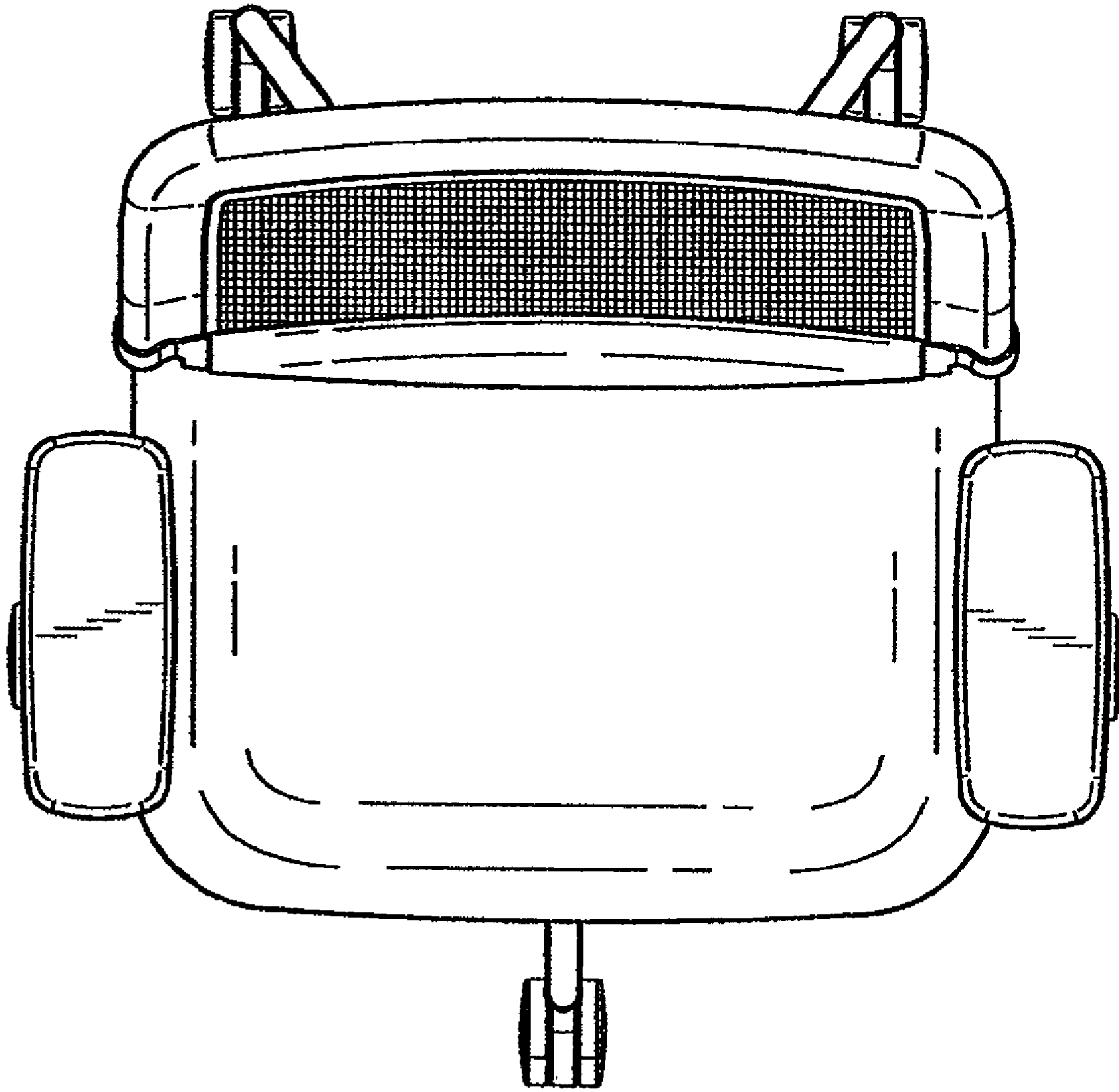


FIG. 6

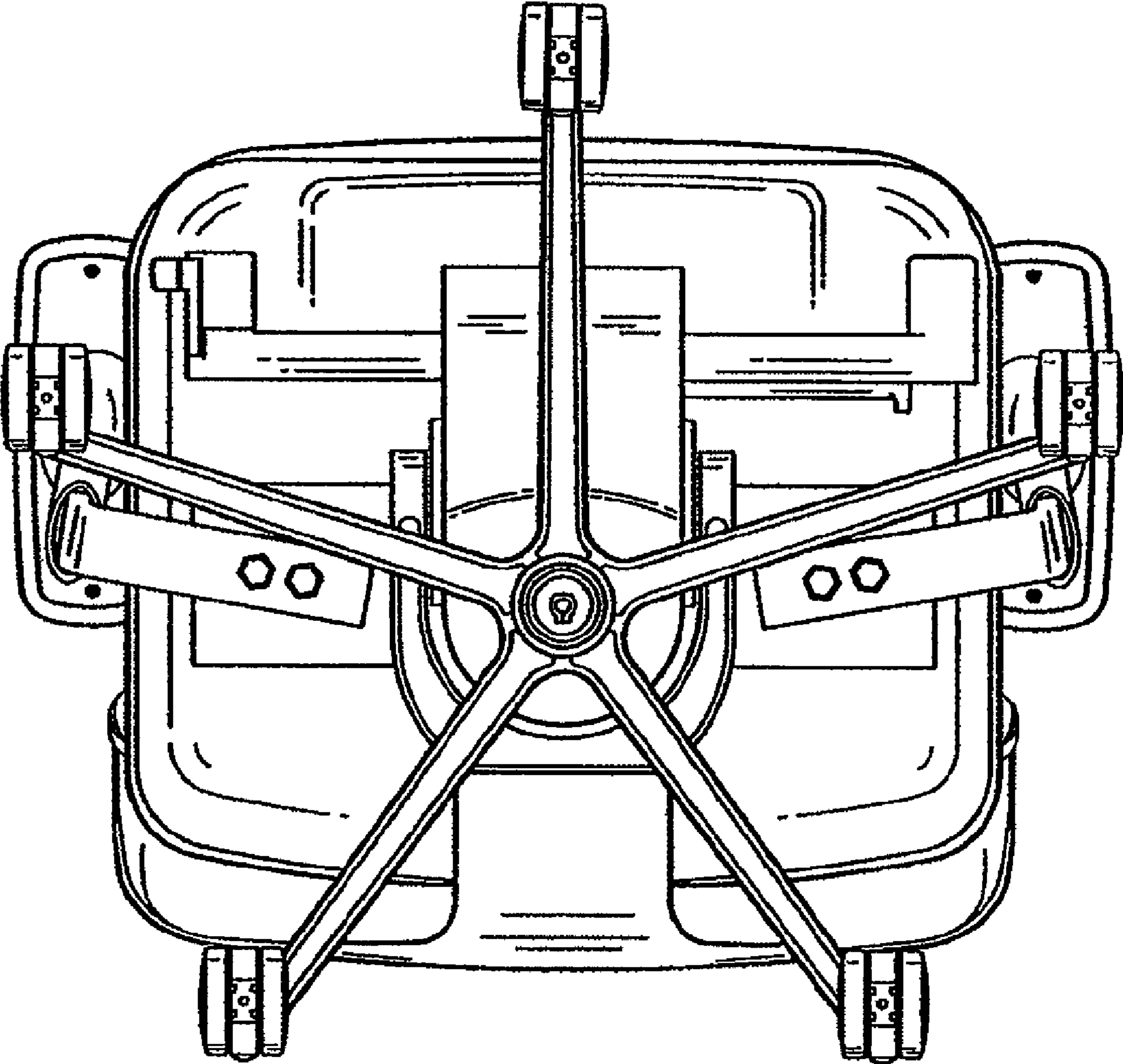


FIG. 7