



US00D579221S

(12) **United States Design Patent**
De Young

(10) **Patent No.:** **US D579,221 S**

(45) **Date of Patent:** **** Oct. 28, 2008**

(54) **WAVE CHAIR**

(75) Inventor: **Brian De Young**, 92-1334 Hauone St.,
Kapolei, HI (US) 96707

(73) Assignee: **Brian De Young**, Kapolei, HI (US)

(**) Term: **14 Years**

(21) Appl. No.: **29/283,082**

(22) Filed: **Aug. 6, 2007**

(51) **LOC (8) Cl.** **06-01**

(52) **U.S. Cl.** **D6/358; D6/360; D6/364**

(58) **Field of Classification Search** D6/334-336,
D6/354, 358, 360, 364, 365, 367, 372, 373,
D6/374, 375, 376, 500-502; D21/695; 297/338,
297/344.14, 423.38, 423.4, 445.1, 446.1,
297/451.4, 451.5

See application file for complete search history.

(56) **References Cited**

U.S. PATENT DOCUMENTS

- D206,434 S * 12/1966 Doss D6/354
- D224,189 S * 7/1972 Gorelick D6/365
- D341,176 S * 11/1993 Habing et al. D21/695
- D370,569 S * 6/1996 Opsvik D6/360

- D374,354 S * 10/1996 Opsvik D6/360
- 5,702,158 A * 12/1997 Mengshoel et al. 297/445.1
- D390,713 S * 2/1998 Chen D6/367
- 5,782,532 A * 7/1998 Opsvik 297/338
- D419,023 S * 1/2000 Hagstrom D6/360
- D441,209 S * 5/2001 Hagstrom D6/360

* cited by examiner

Primary Examiner—Mimosa De

(57) **CLAIM**

I claim the ornamental design for the wave chair, as shown and described.

DESCRIPTION

FIG. 1 is a perspective view of a wave chair, showing my new design;

FIG. 2 is a front elevational view of the invention;

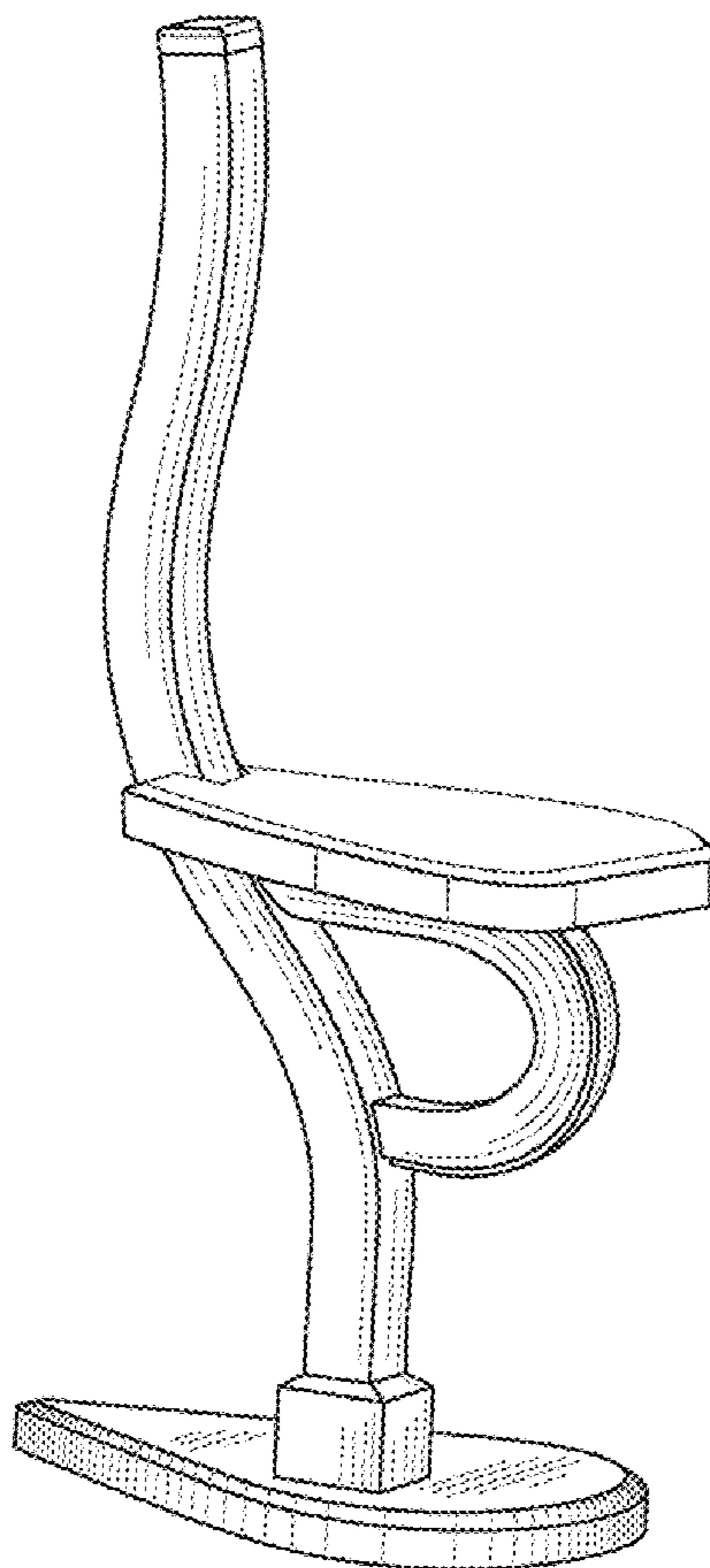
FIG. 3 is a rear elevational view of the invention;

FIG. 4 is a left-side elevational view of the invention, the right-side elevational view being a mirror image thereof;

FIG. 5 is a top plan view of the invention; and,

FIG. 6 is a bottom plan view of the invention.

1 Claim, 2 Drawing Sheets



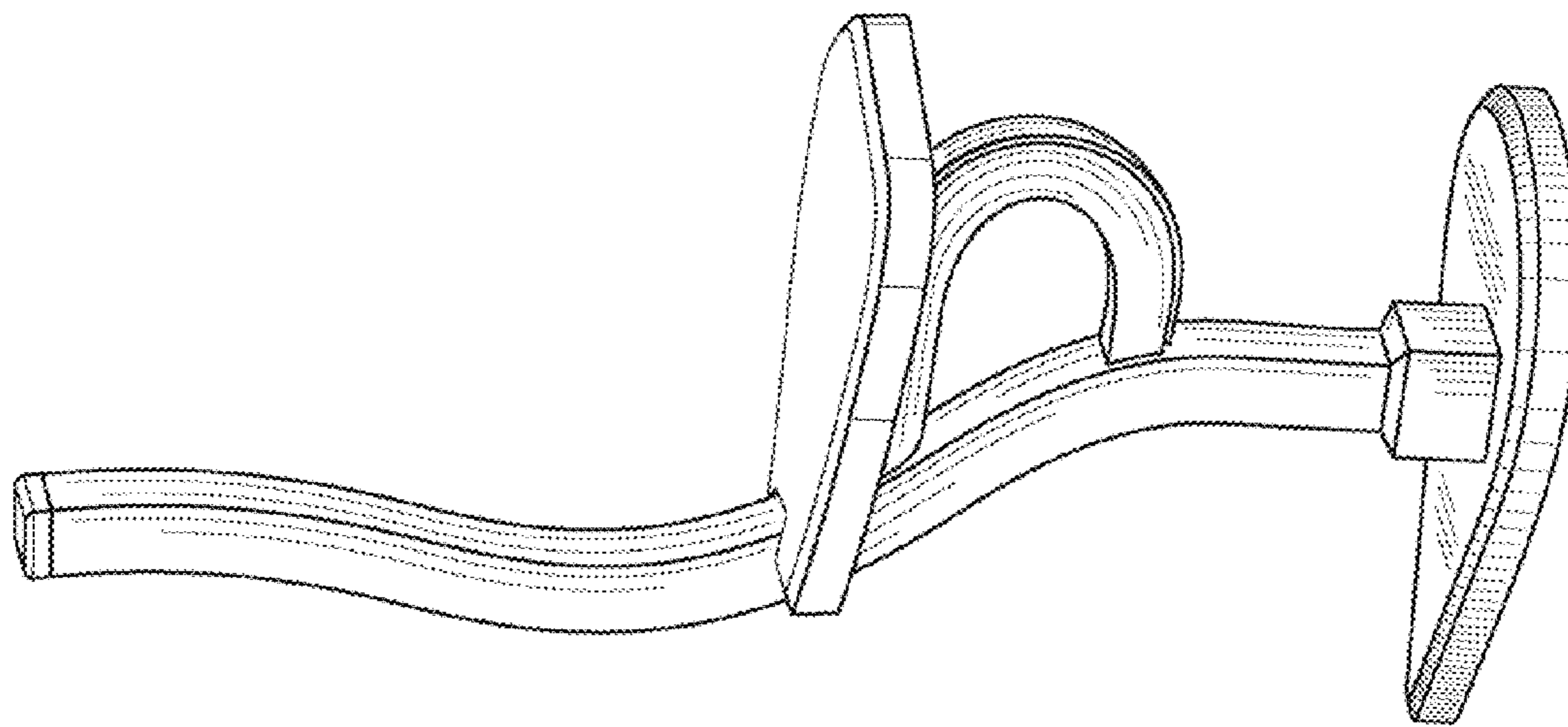


FIG. 1

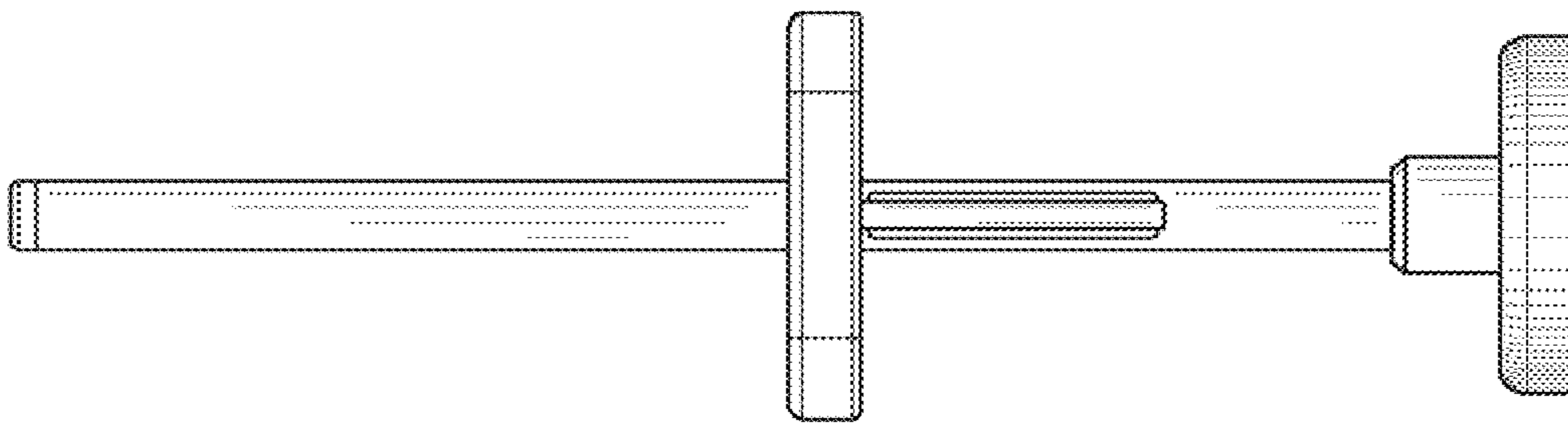


FIG. 2

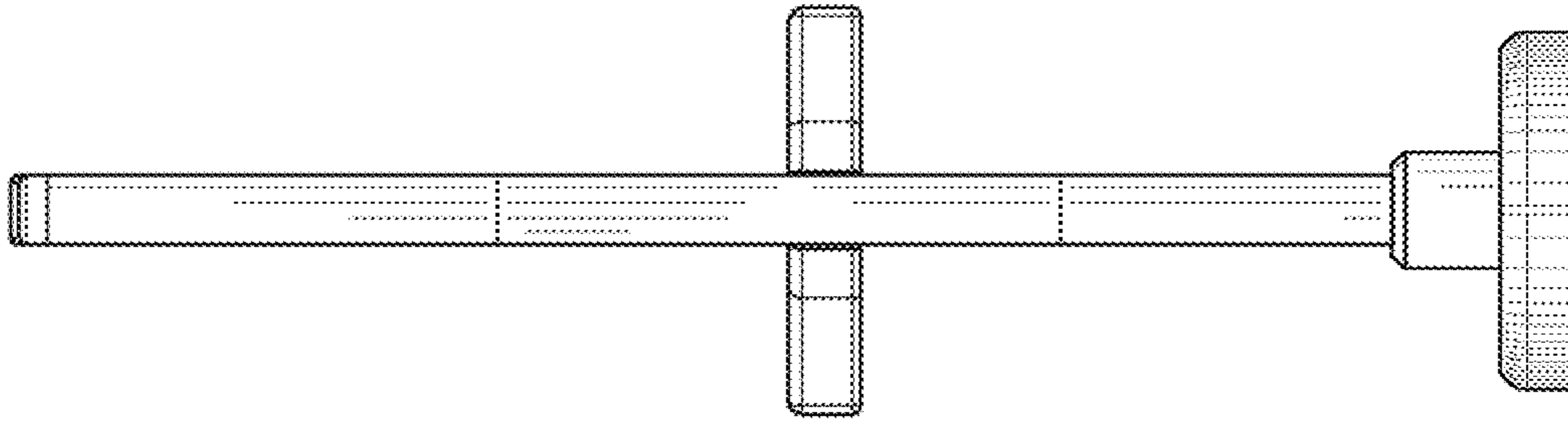


FIG. 3

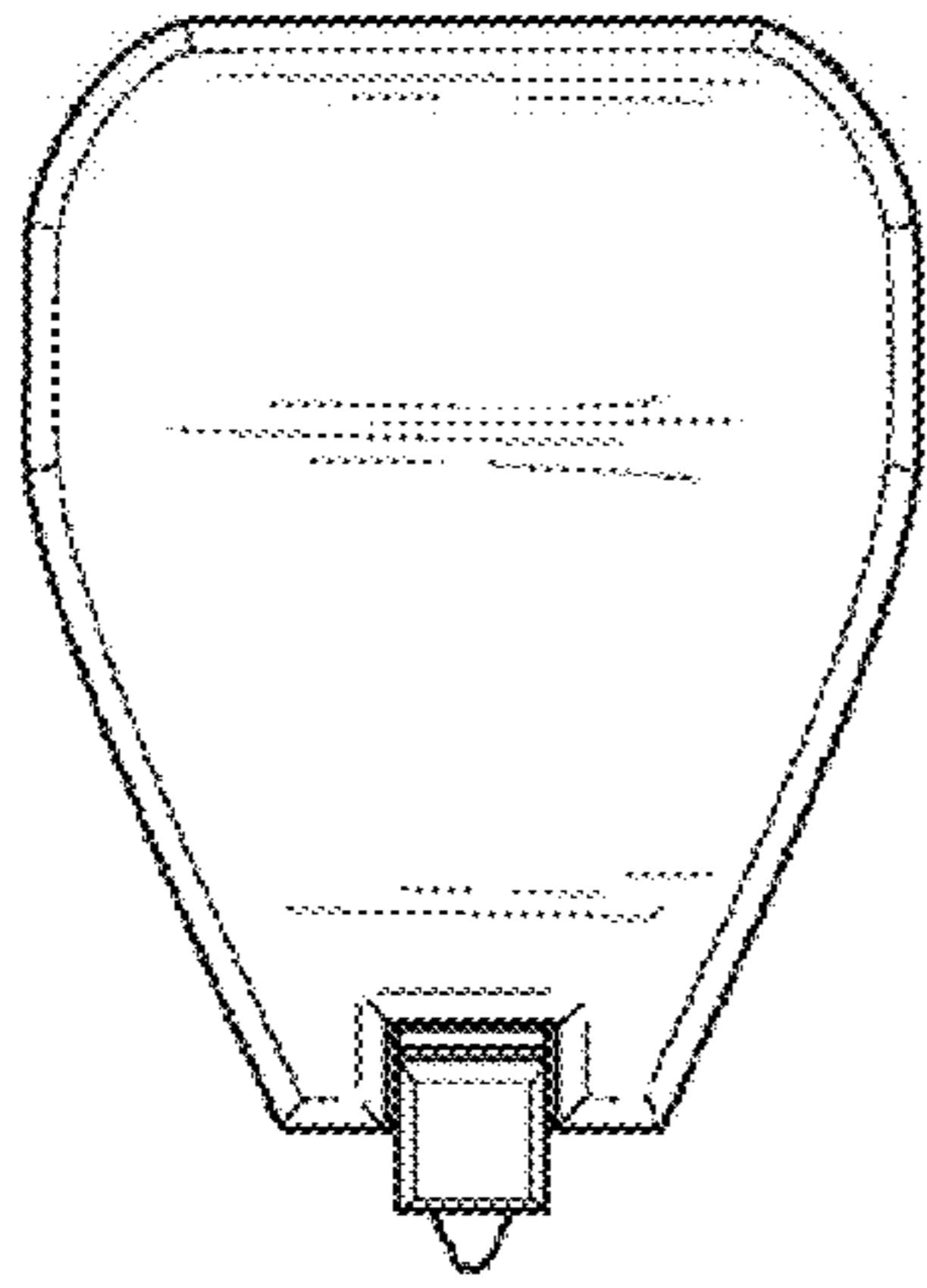


FIG. 5

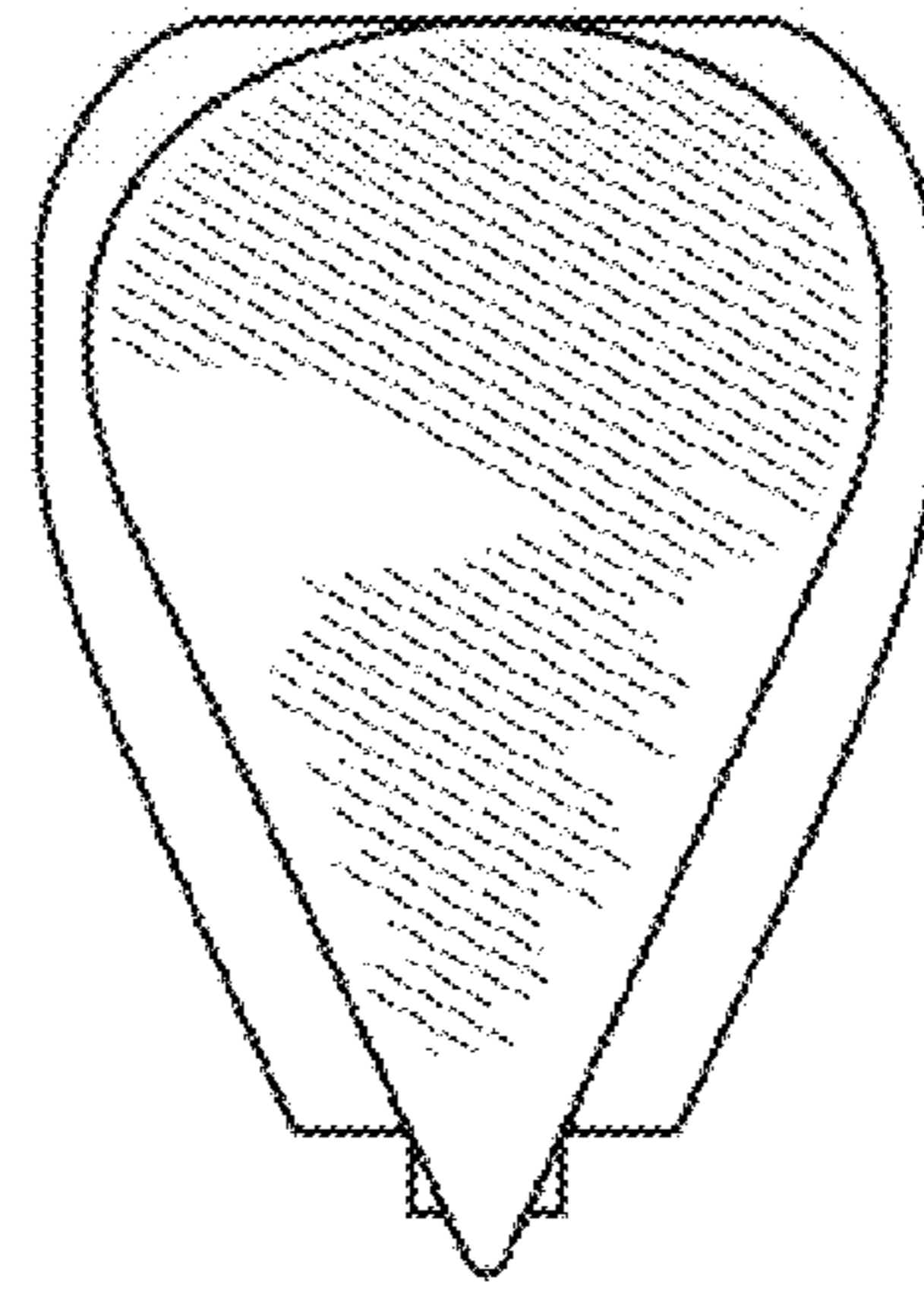


FIG. 6

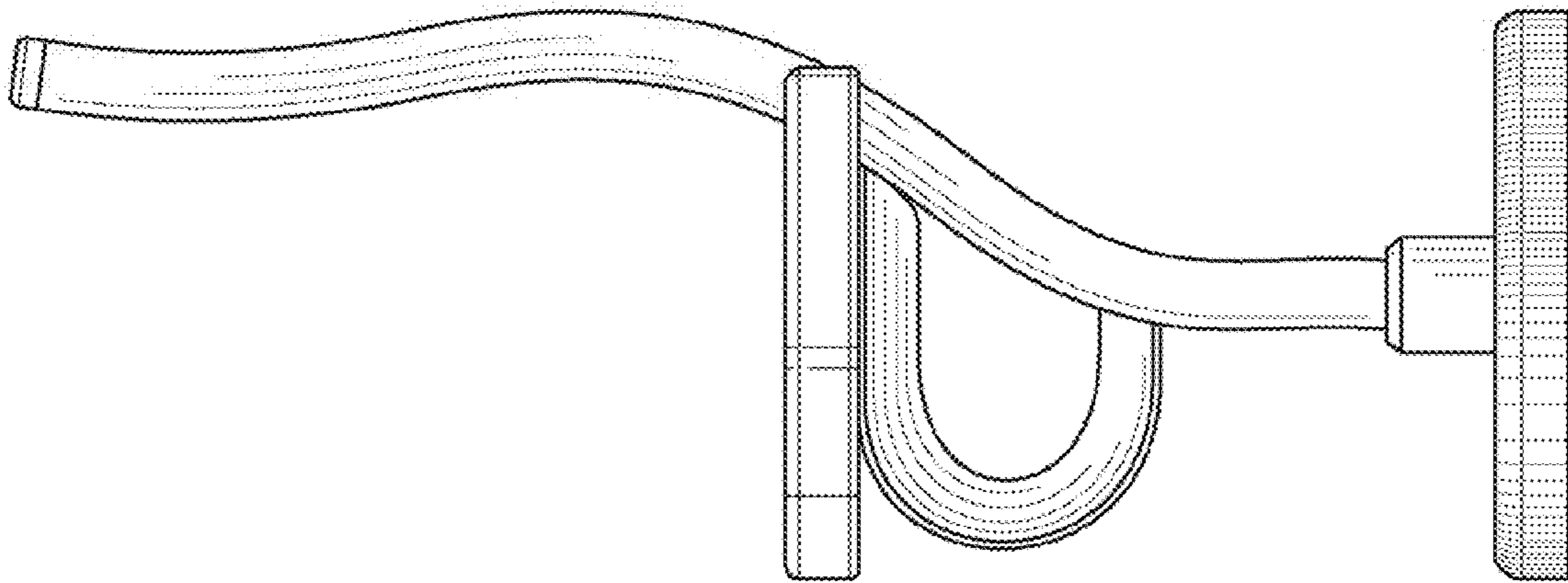


FIG. 4