



US00D579205S

(12) **United States Design Patent**
Gonzalez

(10) **Patent No.:** **US D579,205 S**
(45) **Date of Patent:** **** Oct. 28, 2008**

(54) **JEWEL PIECE**

(75) Inventor: **Alvaro Gonzalez**, Florence (IT)

(73) Assignee: **J. Choo Limited**, London (GB)

(**) Term: **14 Years**

(21) Appl. No.: **29/263,036**

(22) Filed: **Jul. 14, 2006**

(30) **Foreign Application Priority Data**

Jan. 20, 2006 (EM) 000469937-0004

(51) **LOC (8) Cl.** **03-01**

(52) **U.S. Cl.** **D3/322**

(58) **Field of Classification Search** D3/201,
D3/205-206, 226, 232-234, 238, 240-246,
D3/273, 276, 279, 283-287, 289-290, 294,
D3/301, 303-304, 307-308, 310, 312-319,
D3/321-324, 326-328, 900-902, 905; 150/100,
150/103, 107-108, 110-112, 117-120, 130,
150/900; 190/100, 108-109, 112, 115, 119,
190/902-903

See application file for complete search history.

(56) **References Cited**

U.S. PATENT DOCUMENTS

D156,781 S * 1/1950 Spindell D3/240
D518,960 S * 4/2006 Gonzalez D3/322
D530,076 S 10/2006 Choi

OTHER PUBLICATIONS

http://us.st11.yimg.com/us.st.yimg.com/l/moulonofbeverlyhills_1991_62932632 Mar. 21, 2008.*
http://us.st11.yimg.com/us.st.yimg.com/l/moulonofbeverlyhills_1992_1158549 Mar. 21, 2008.*
http://us.st11.yimg.com/us.st.yimg.com/l/moulonofbeverlyhills_1993_11067171 Mar. 21, 2008.*

http://images.saksfifthavenue.com/images/products/04/249/8292/0424982925807/0424982925807_500x5... Mar. 21, 2008.*

* cited by examiner

Primary Examiner—Louis S Zarfaz

Assistant Examiner—Kathleen M Sims

(74) *Attorney, Agent, or Firm*—Fross Zelnick Lehrman & Zissu, P.C.; Lawrence E. Apolzon, Esq.

(57) **CLAIM**

The ornamental design for a jewel piece, as shown and described.

DESCRIPTION

FIG. 1 is a front perspective view of a jewel piece showing my new design;

FIG. 2 is a front view thereof, with the rear view being a mirror image;

FIG. 3 is a top view thereof, with the bottom view being a mirror image;

FIG. 4 is a side view thereof, with the other side being a mirror image;

FIG. 5 is a front perspective view of the jewel piece shown in FIG. 1 in the environment of a handbag;

FIG. 6 is a front perspective view thereof in the environment of a portion of said handbag;

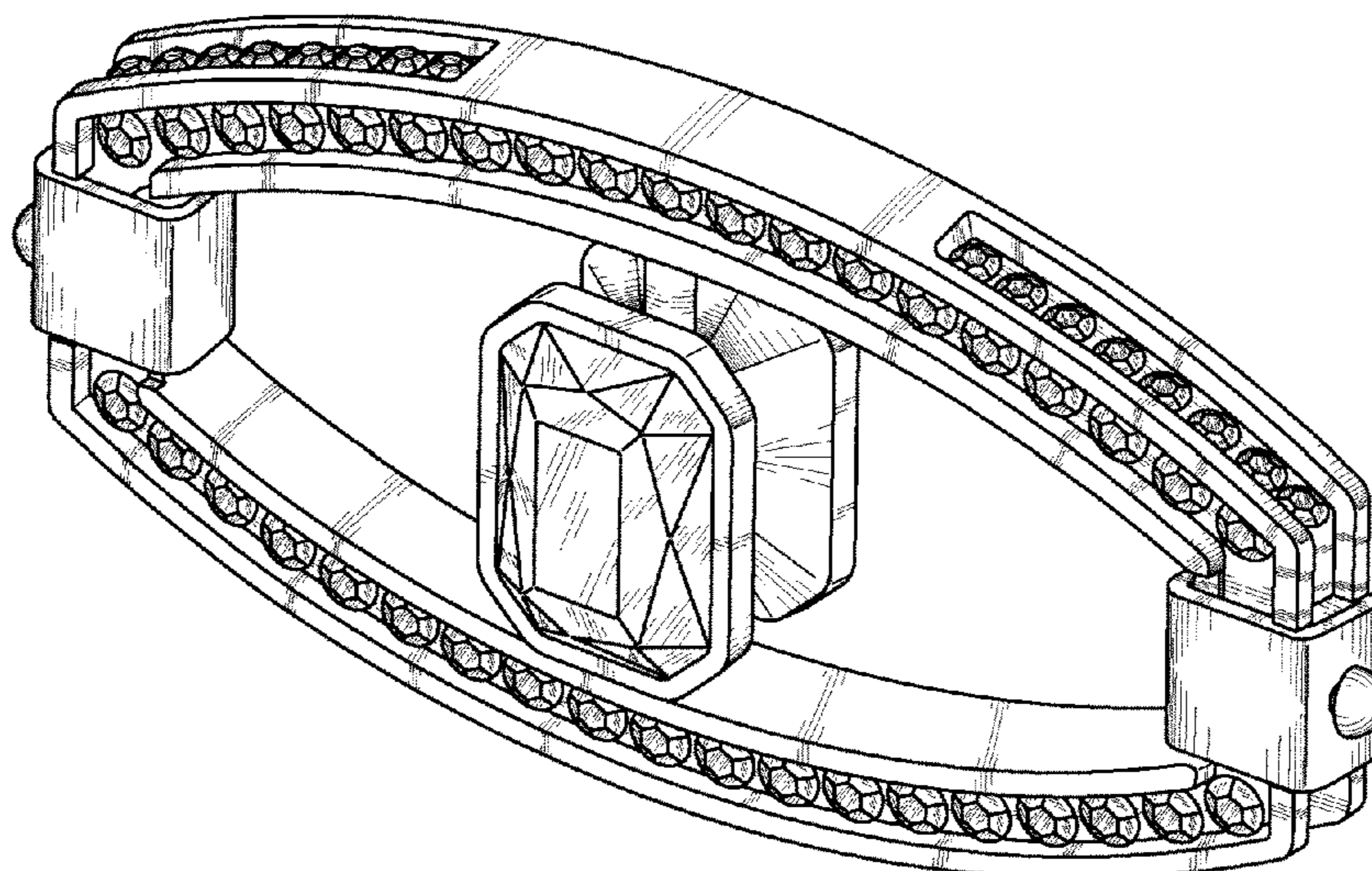
FIG. 7 is a front view thereof (with the rear view being a mirror image);

FIG. 8 is a top view thereof (with the bottom view being a mirror image); and,

FIG. 9 is a side view thereof (with the other side view being a mirror image).

The broken line showing of the central jewel, recessed jewels, portion of the jewel piece, and portions of the handbag is for illustrative purposes only and forms no part of the claimed design.

1 Claim, 9 Drawing Sheets



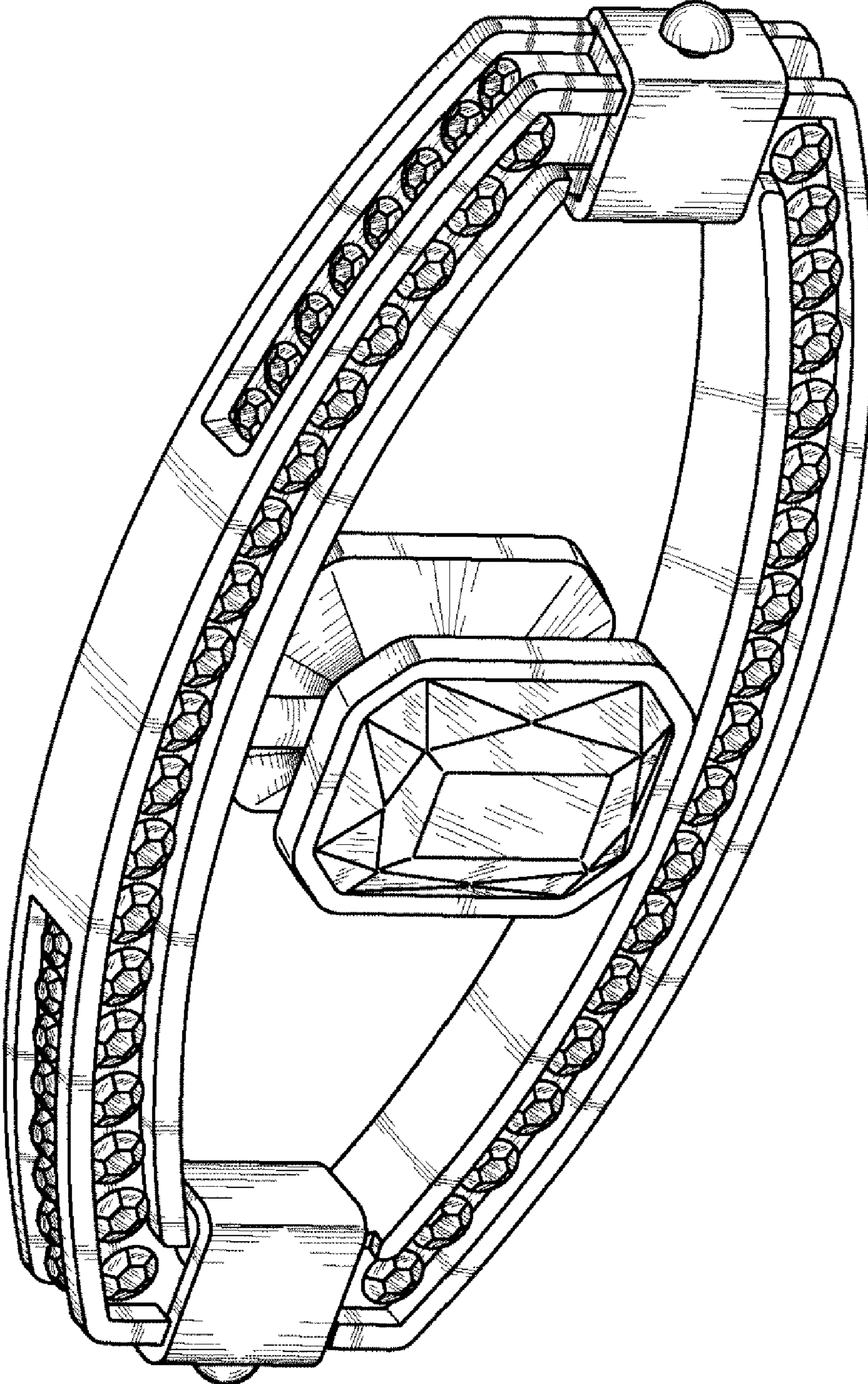


FIG. 1

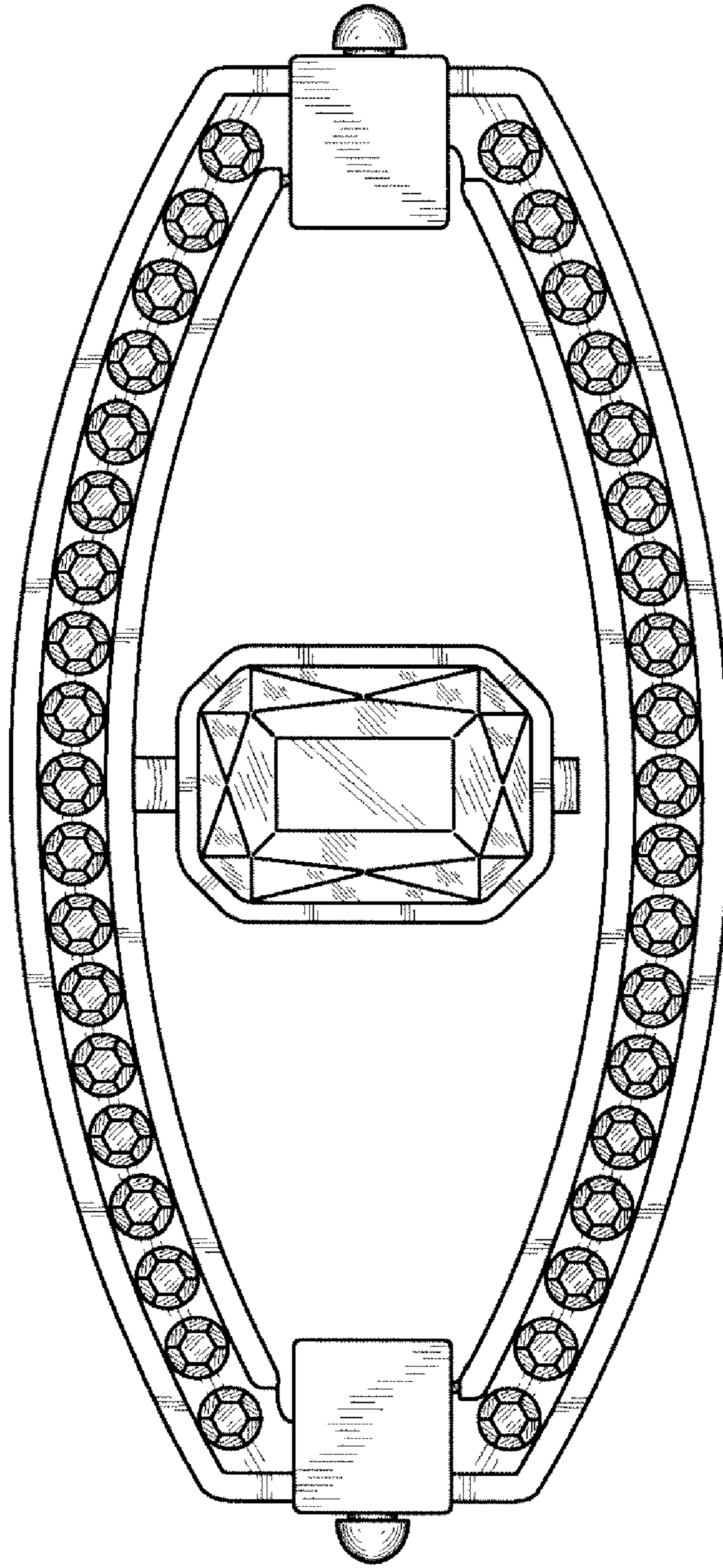


FIG. 2

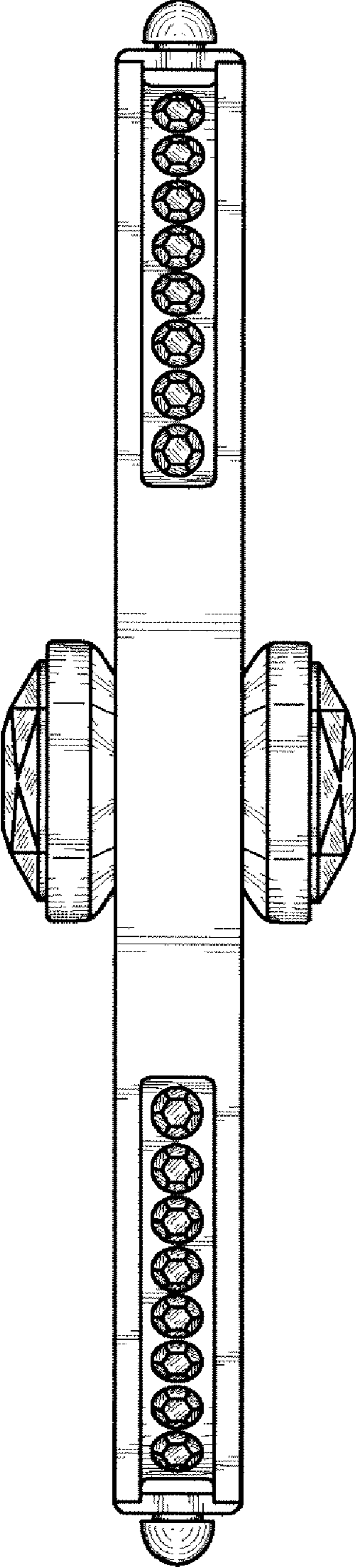


FIG. 3

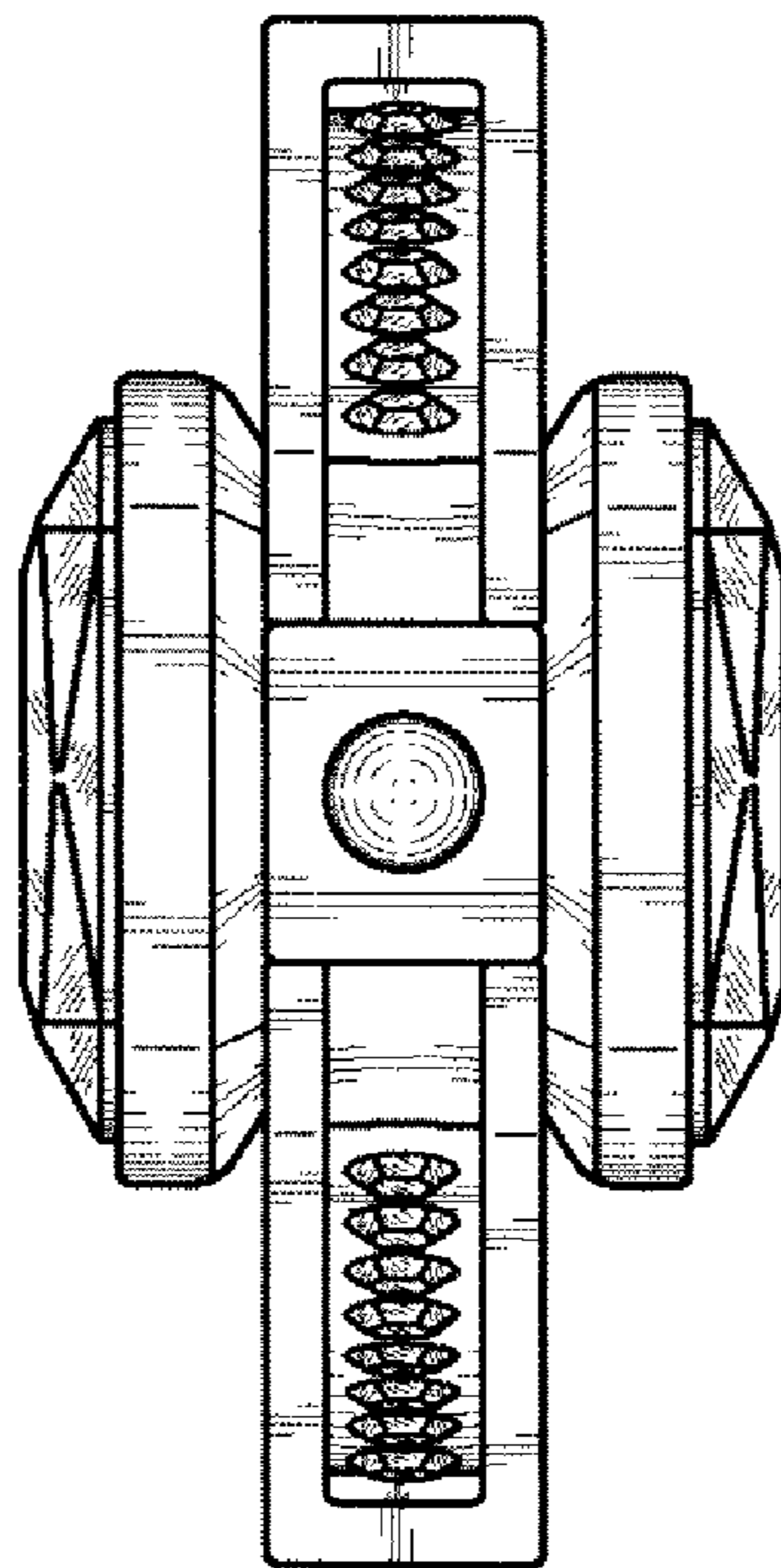


FIG. 4

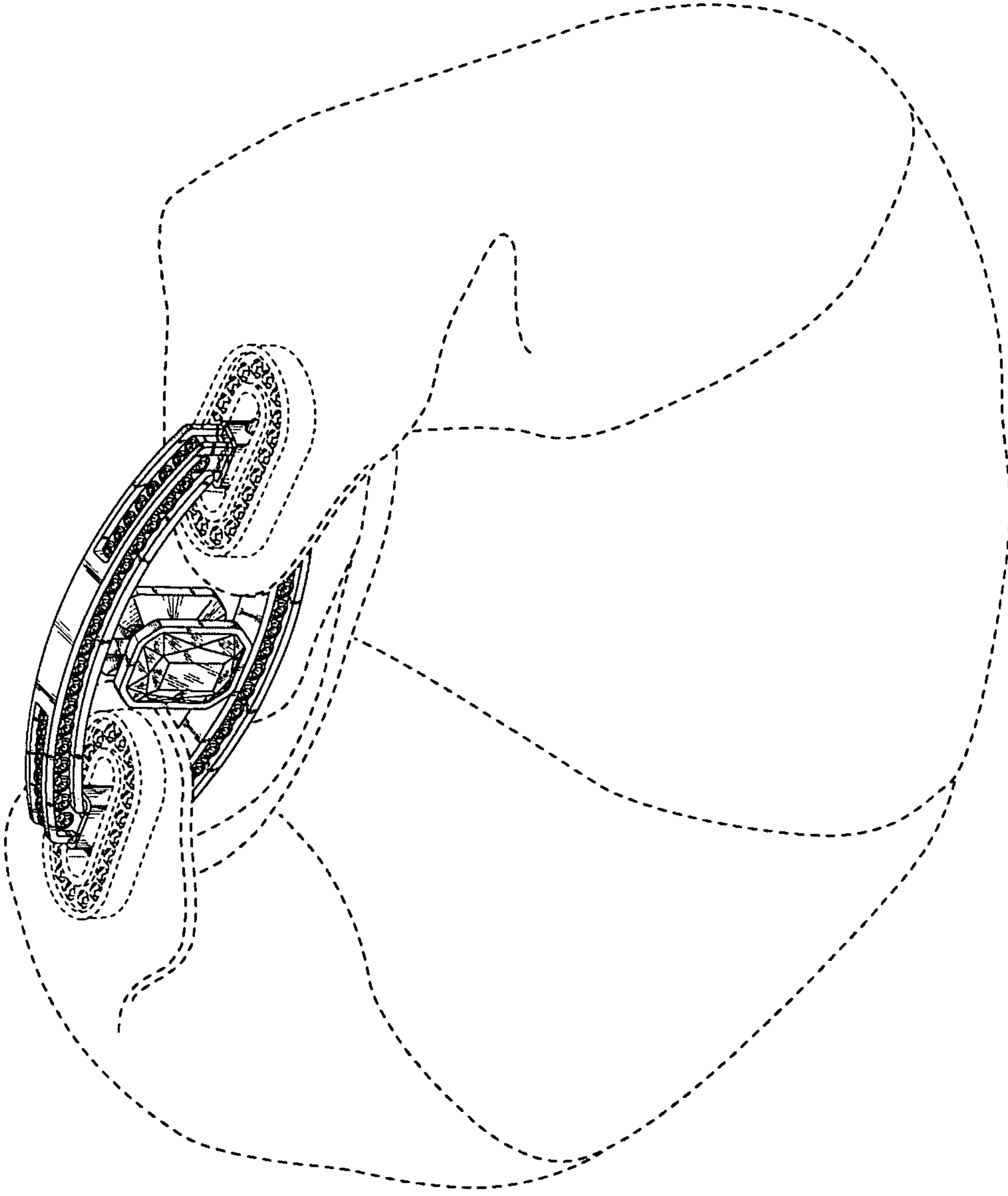


FIG. 5

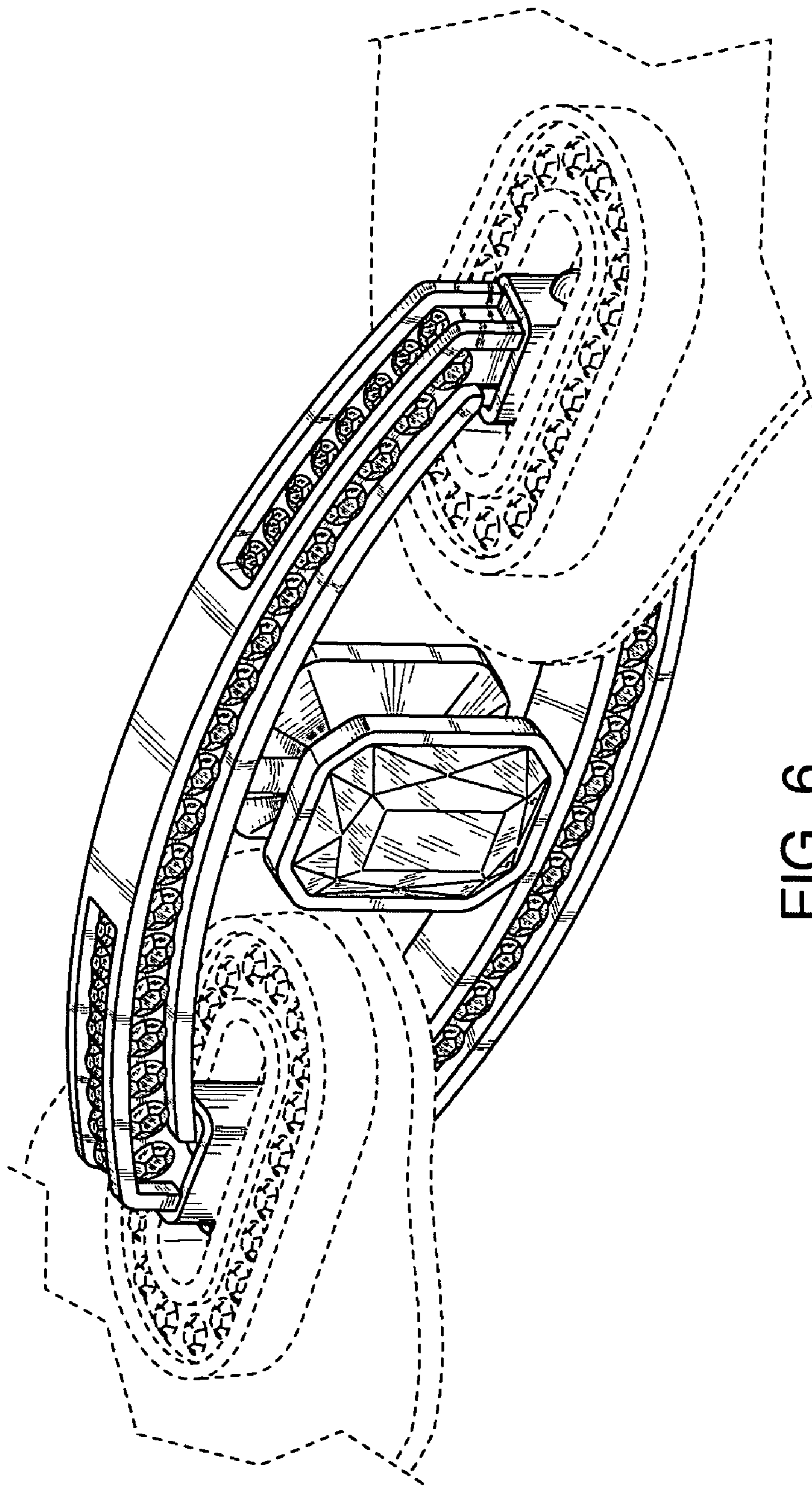


FIG. 6

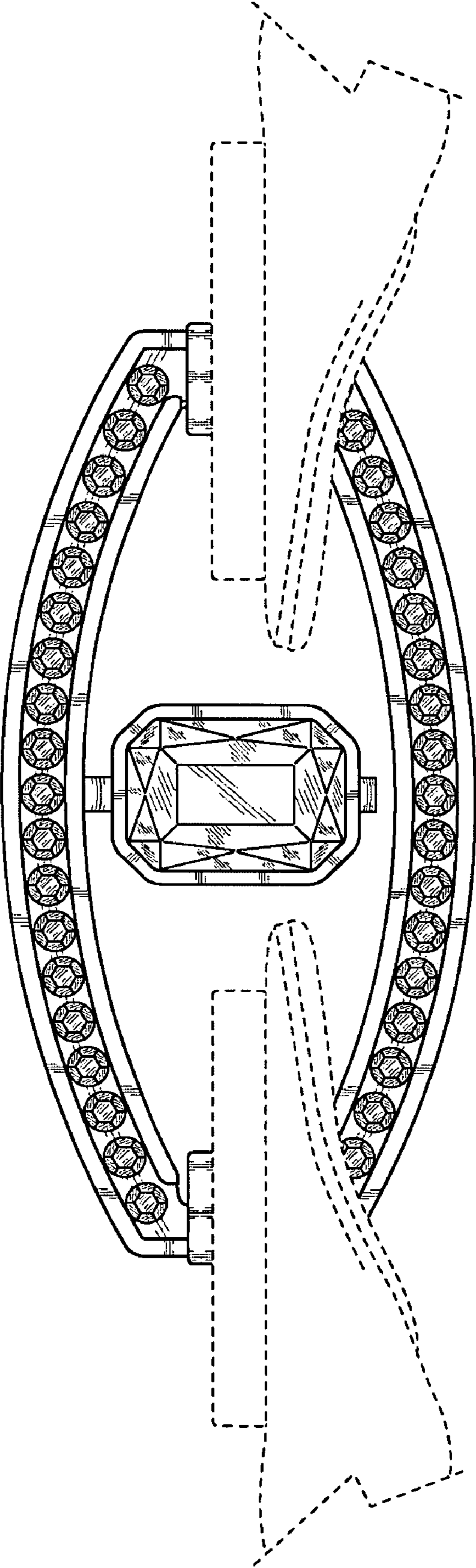


FIG. 7

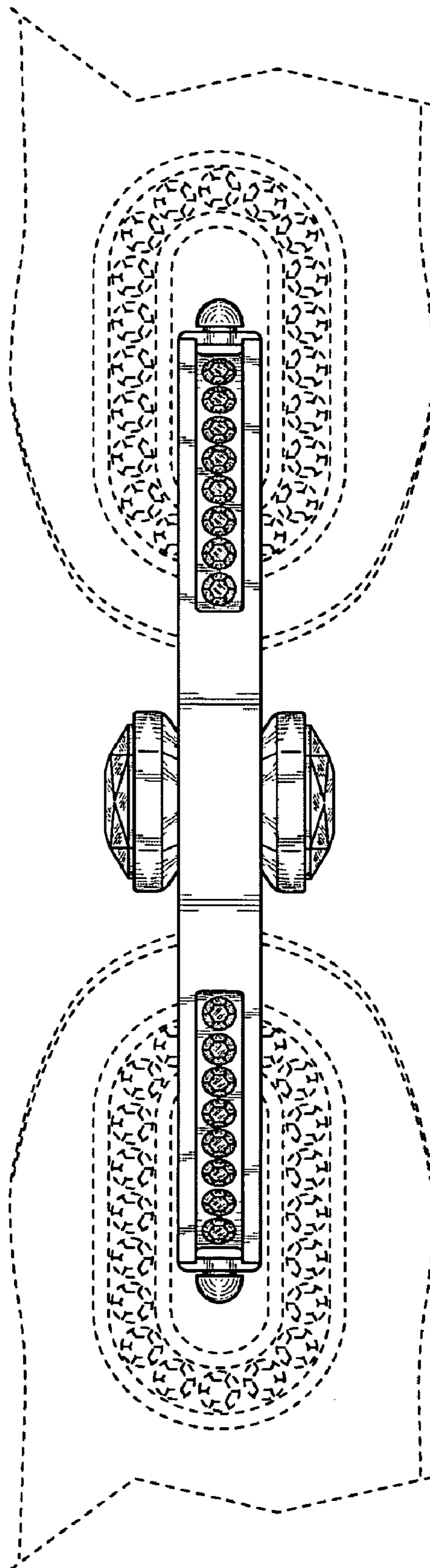


FIG. 8

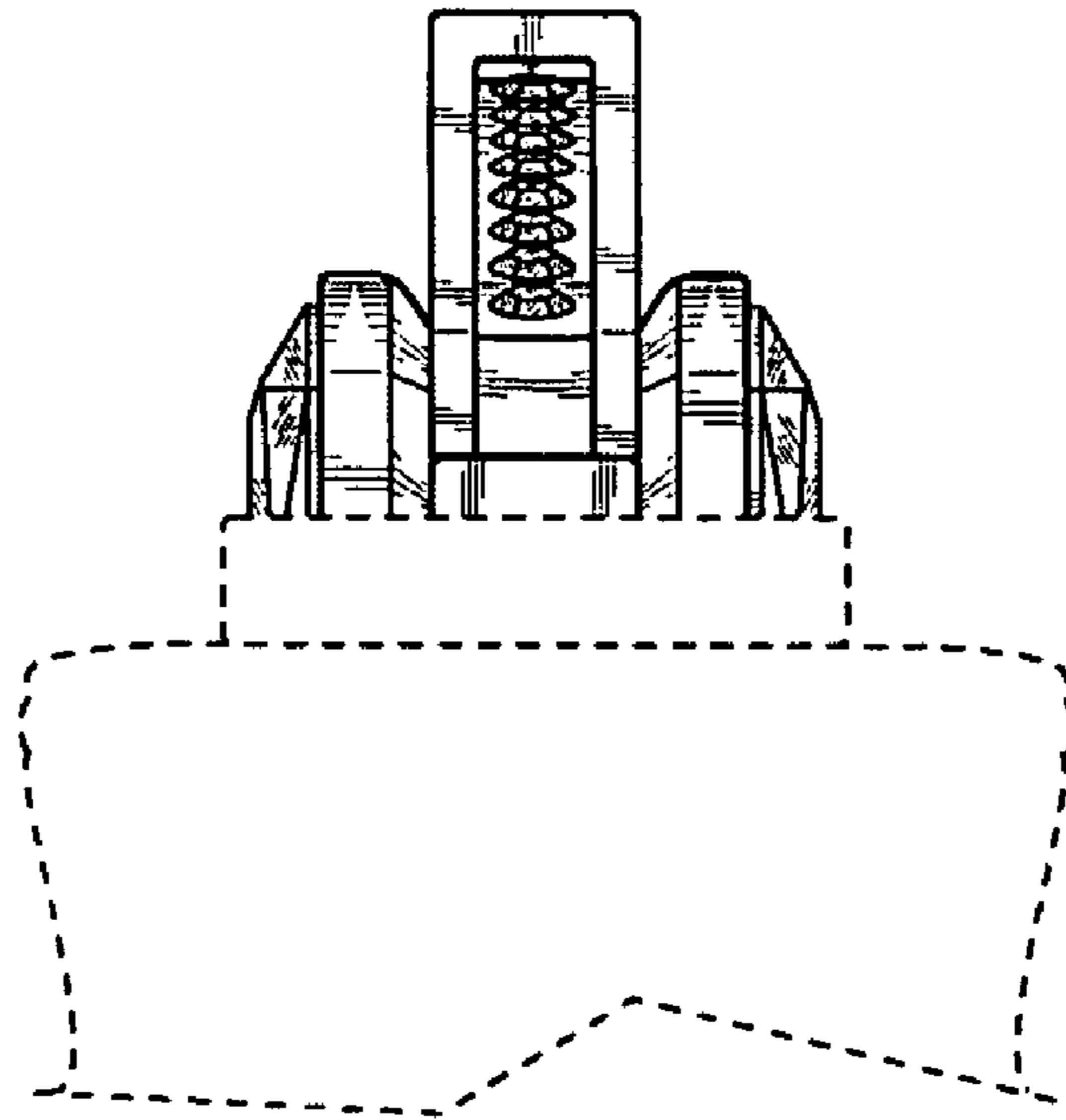


FIG. 9