



US00D579204S

(12) **United States Design Patent**
Chen

(10) **Patent No.:** **US D579,204 S**

(45) **Date of Patent:** **** Oct. 28, 2008**

(54) **TOOLBOX**

(76) Inventor: **Tsai-Ching Chen**, No. 202, Lane 330,
Sec. 7, Chang Lu Road, Fu Hsing
Shiang, Chang Hua Hsien (TW)

(**) Term: **14 Years**

(21) Appl. No.: **29/302,932**

(22) Filed: **Jan. 29, 2008**

(51) **LOC (8) Cl.** **03-01**

(52) **U.S. Cl.** **D3/315; D3/215; D3/905**

(58) **Field of Classification Search** D3/201,
D3/208, 210, 215, 228, 283–284, 294–295,
D3/315, 905; D9/415, 418; 206/234, 349–350,
206/372–374, 378–379, 806, 818; 224/269,
224/271, 575, 904

See application file for complete search history.

(56) **References Cited**

U.S. PATENT DOCUMENTS

D307,214 S *	4/1990	Litton	D3/208
D331,498 S *	12/1992	Chen	D3/228
D334,534 S *	4/1993	Friz et al.	D9/415
D357,918 S *	5/1995	Doria	D14/218
5,512,165 A *	4/1996	Liu	206/234
5,669,492 A *	9/1997	Chao	206/234
D400,709 S *	11/1998	Chang	D3/294
5,975,297 A *	11/1999	Kao	206/378
D422,787 S *	4/2000	Feng	D3/273
6,050,409 A *	4/2000	Delbeck et al.	206/375
6,216,858 B1 *	4/2001	Chiu	206/234
D446,651 S *	8/2001	Liao	D3/284
6,889,879 B2 *	5/2005	Rivera et al.	224/245
6,915,900 B2 *	7/2005	Chen	206/350
D509,656 S *	9/2005	Pangerc et al.	D3/294
D516,812 S *	3/2006	Pangerc et al.	D3/294

D525,791 S *	8/2006	Chang	D3/315
D532,603 S *	11/2006	Chen	D3/228
D537,253 S *	2/2007	Chen	D3/315
7,270,235 B2 *	9/2007	Chen	206/379
D560,906 S *	2/2008	Meng	D3/228
2003/0226779 A1 *	12/2003	Chen	206/373
2005/0161356 A1 *	7/2005	Chen	206/373
2005/0173279 A1 *	8/2005	Chen	206/372

* cited by examiner

Primary Examiner—T. Chase Nelson

Assistant Examiner—Roselyne Cody

(74) *Attorney, Agent, or Firm*—Alan Kamrath; Kamrath & Associates PA

(57) **CLAIM**

The ornamental design for a toolbox, as shown and described.

DESCRIPTION

FIG. 1 is a perspective view of a toolbox showing my new design;

FIG. 2 is a front view thereof;

FIG. 3 is a rear view thereof;

FIG. 4 is a left view thereof;

FIG. 5 is a right view thereof;

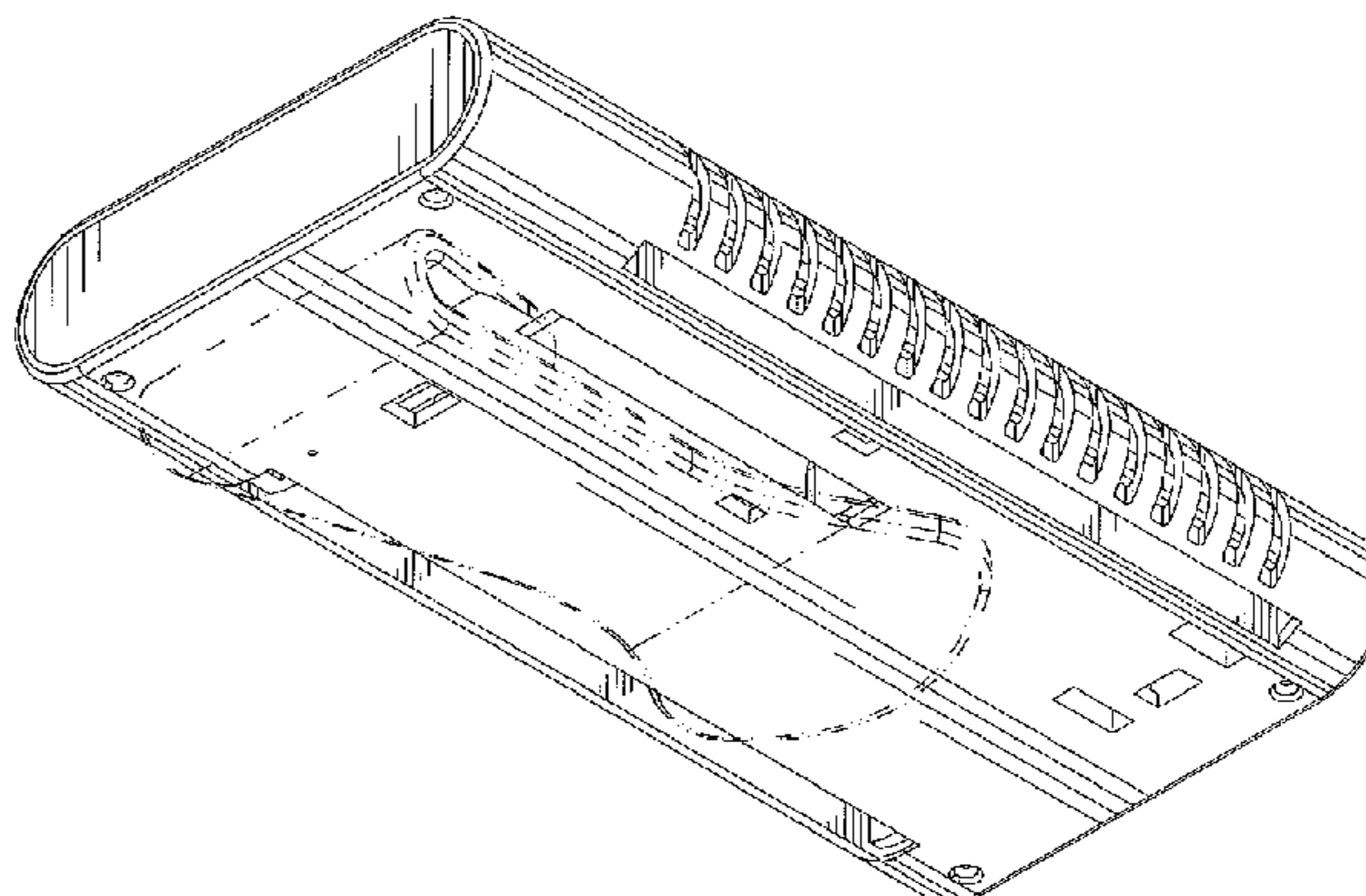
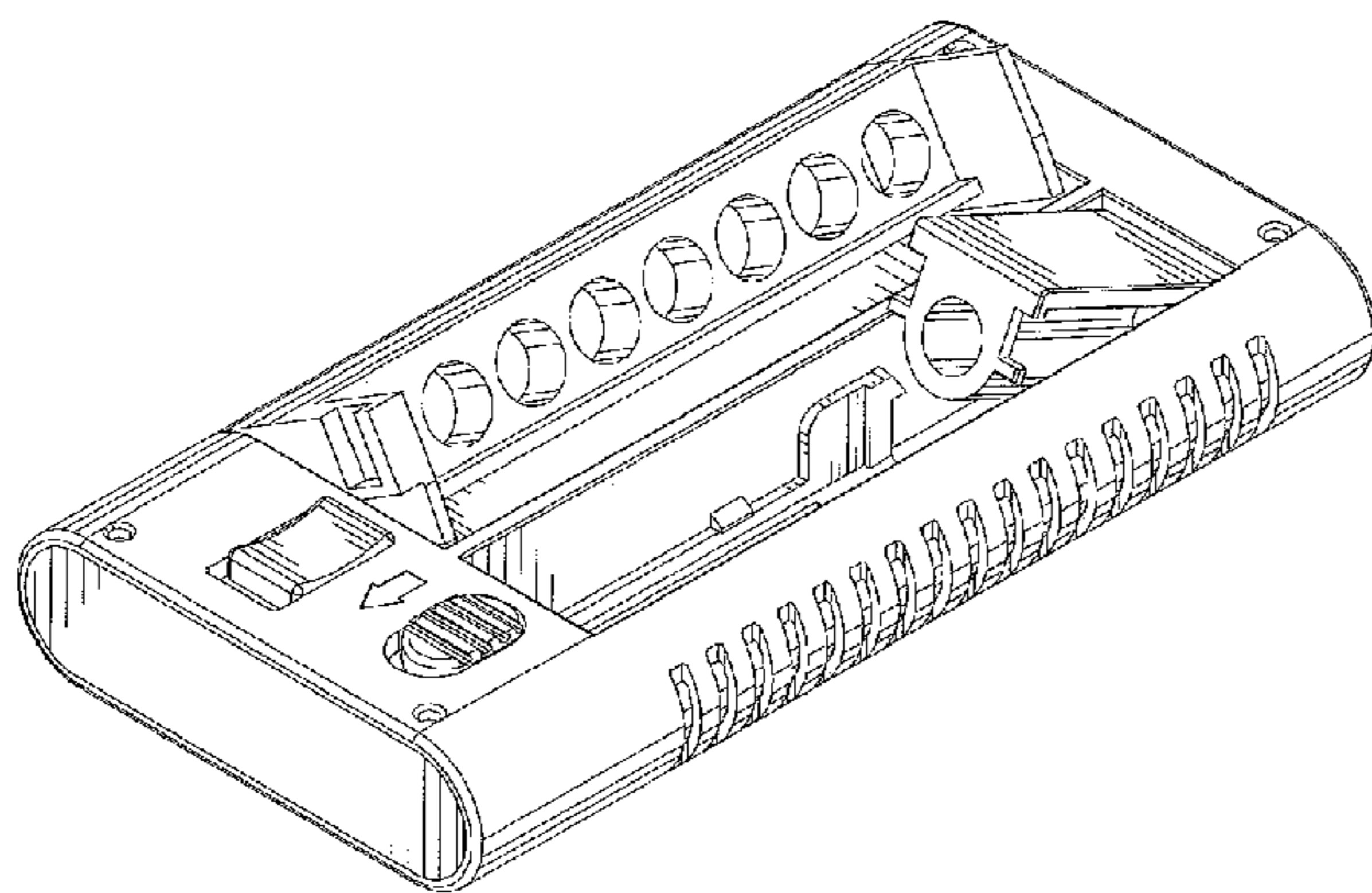
FIG. 6 is a top view thereof;

FIG. 7 is a bottom view thereof;

FIG. 8 is the perspective view embodying the utilization of the toolbox; and,

FIG. 9 is the perspective view embodying the utilization of the toolbox in which the broken line is directed to environment and is for illustrative purposes only, forming no part of the claimed design.

1 Claim, 6 Drawing Sheets



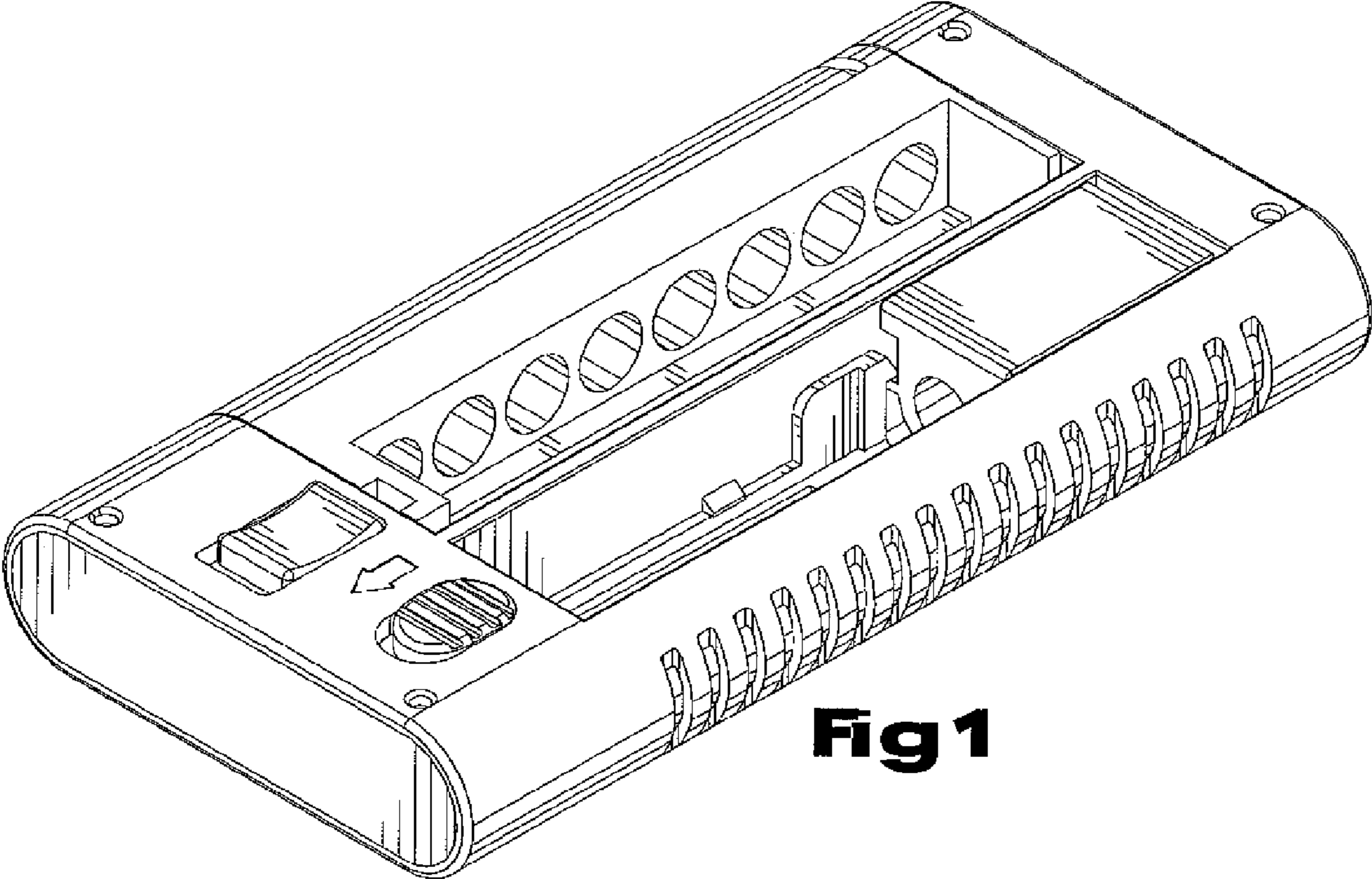


Fig 1

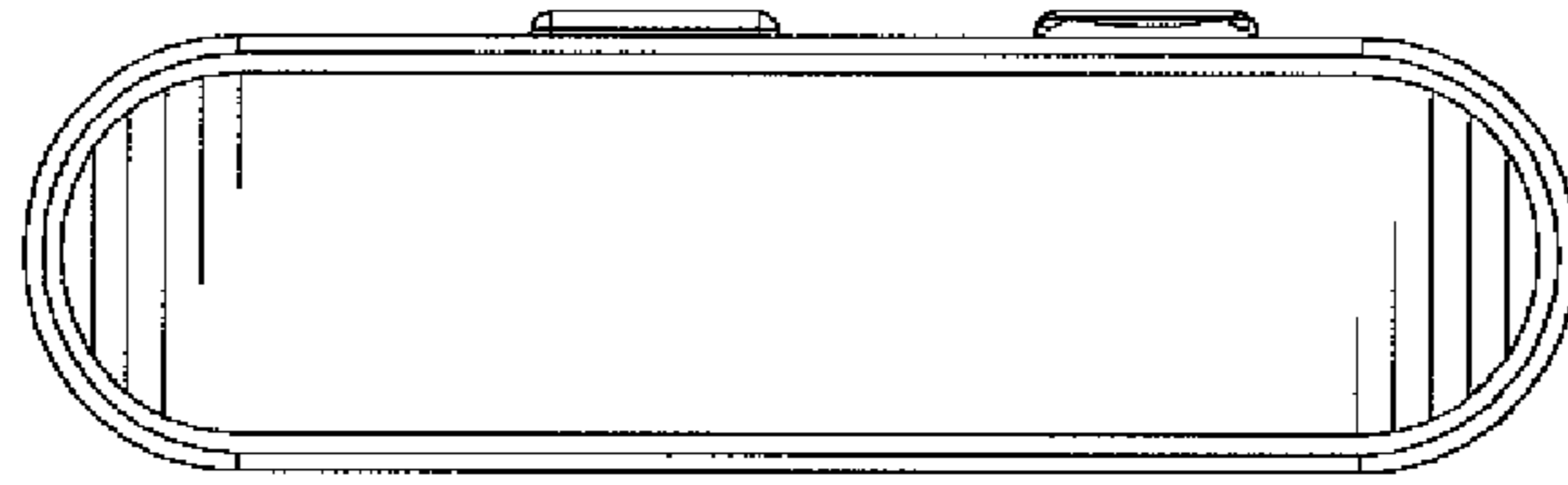


Fig 2

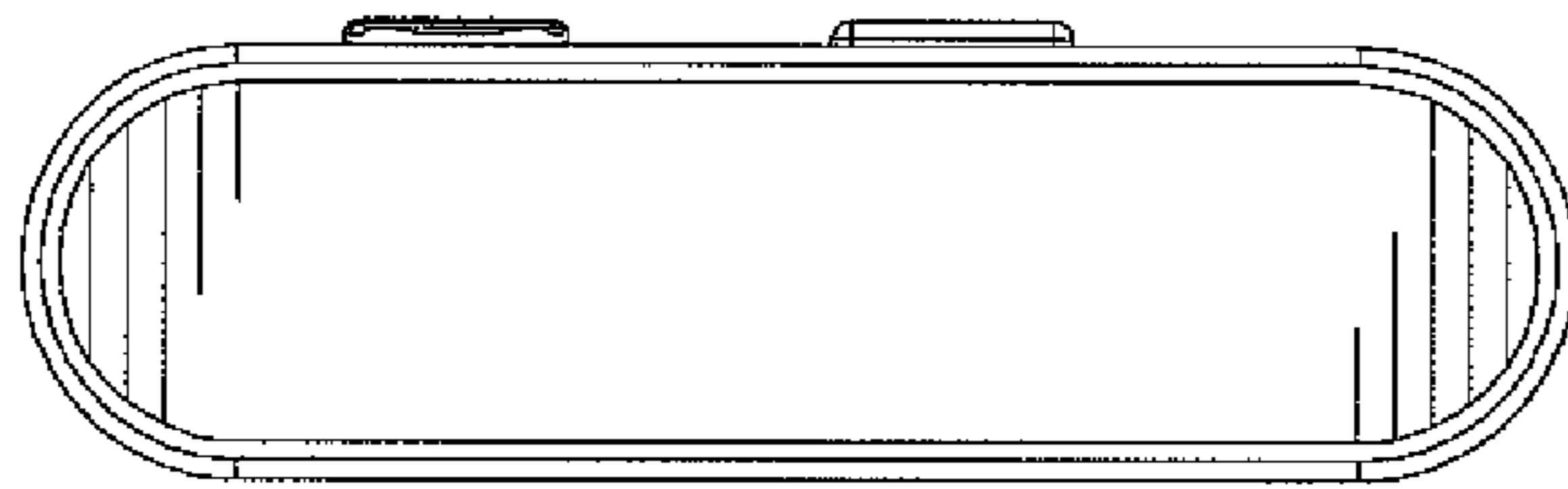


Fig 3

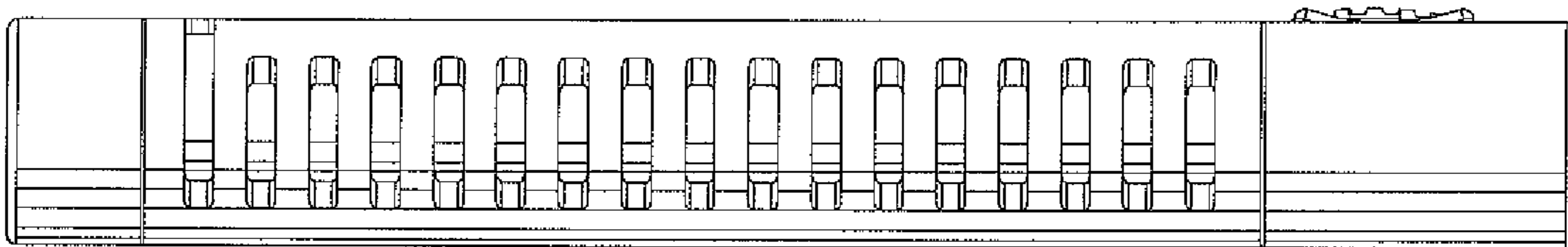


Fig 4

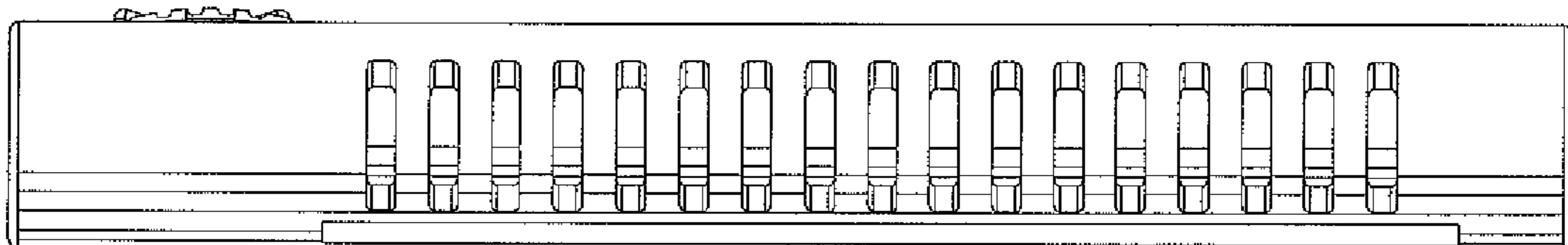


Fig 5

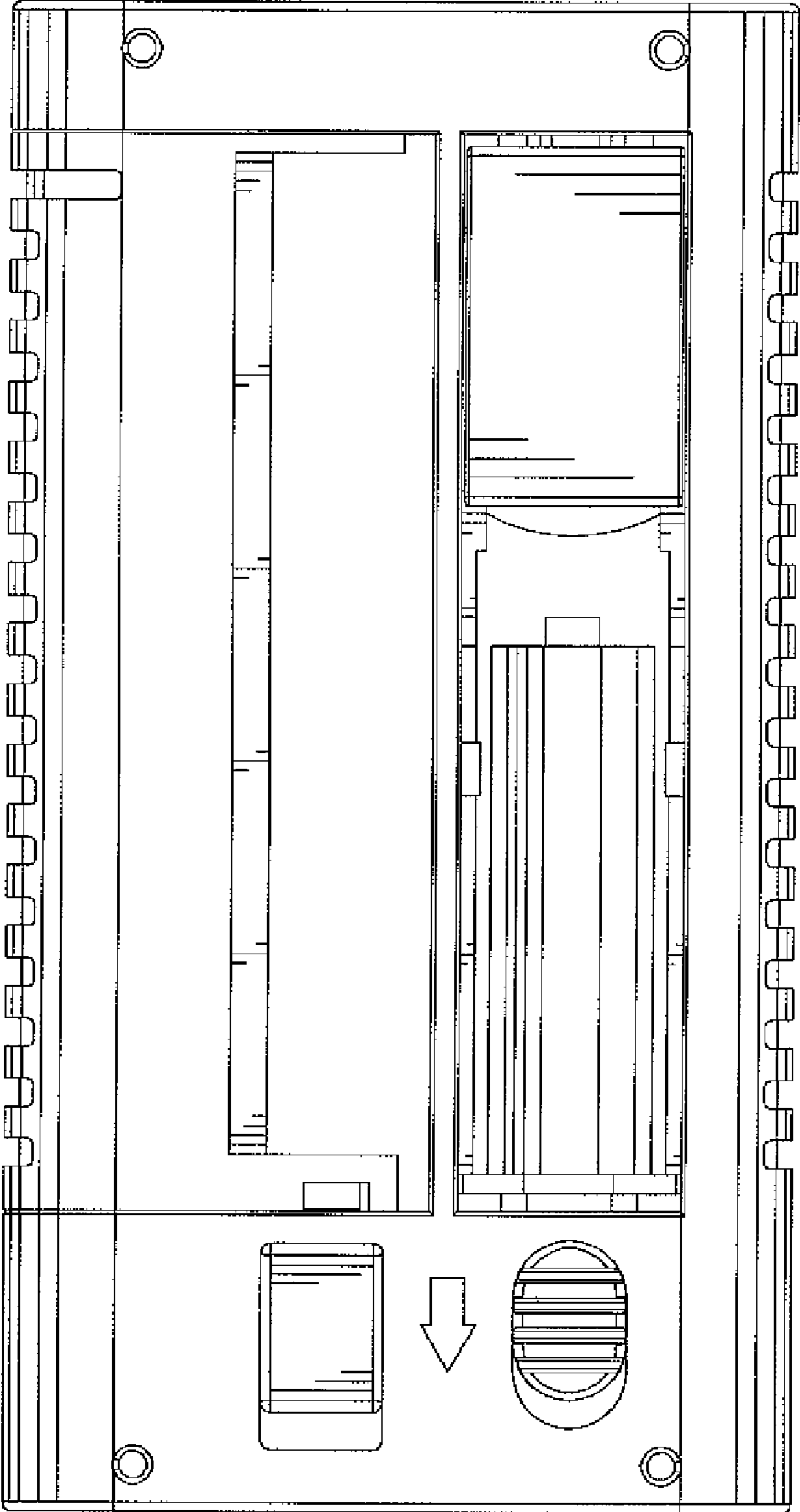


Fig 6

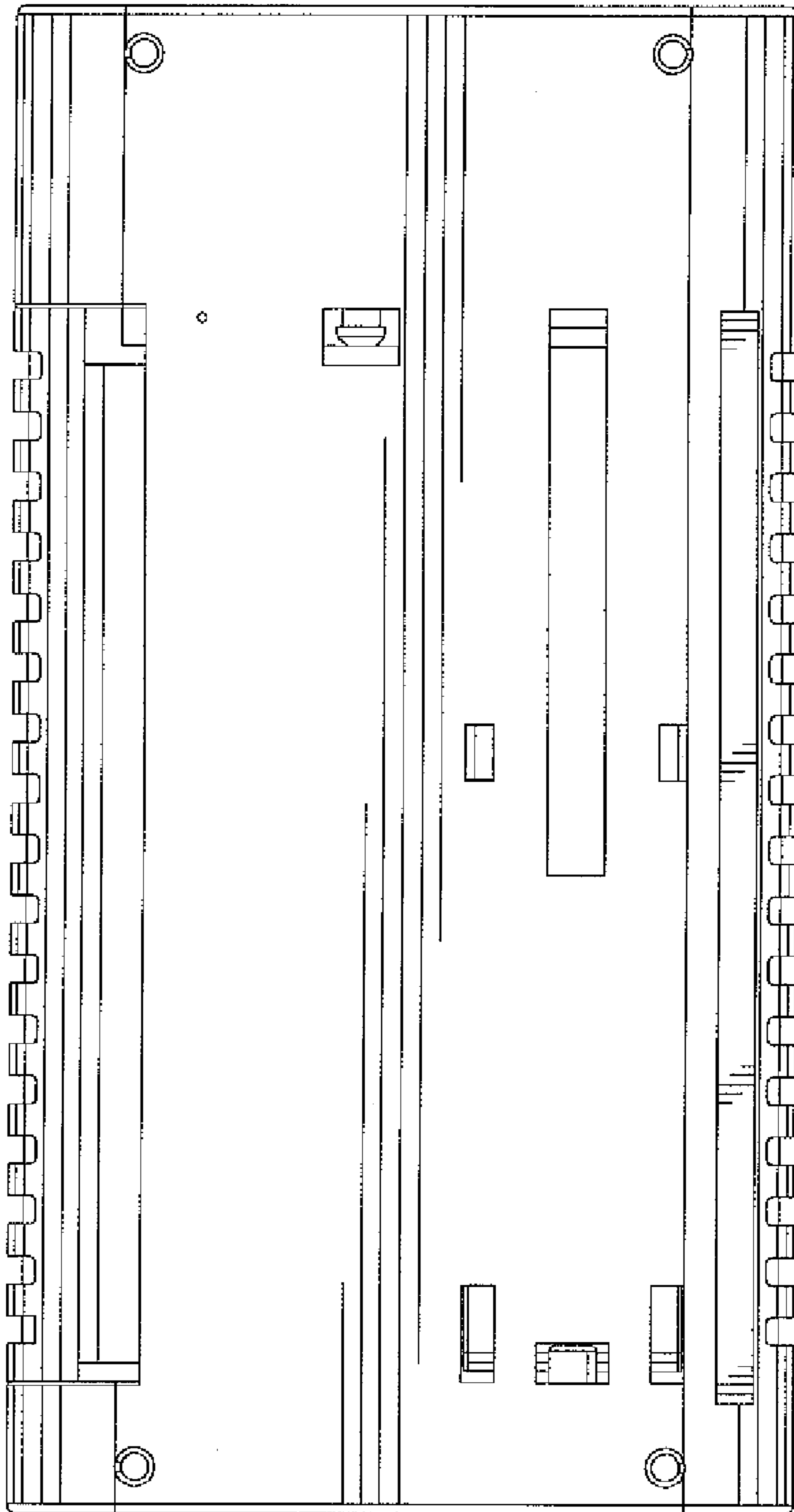


Fig 7

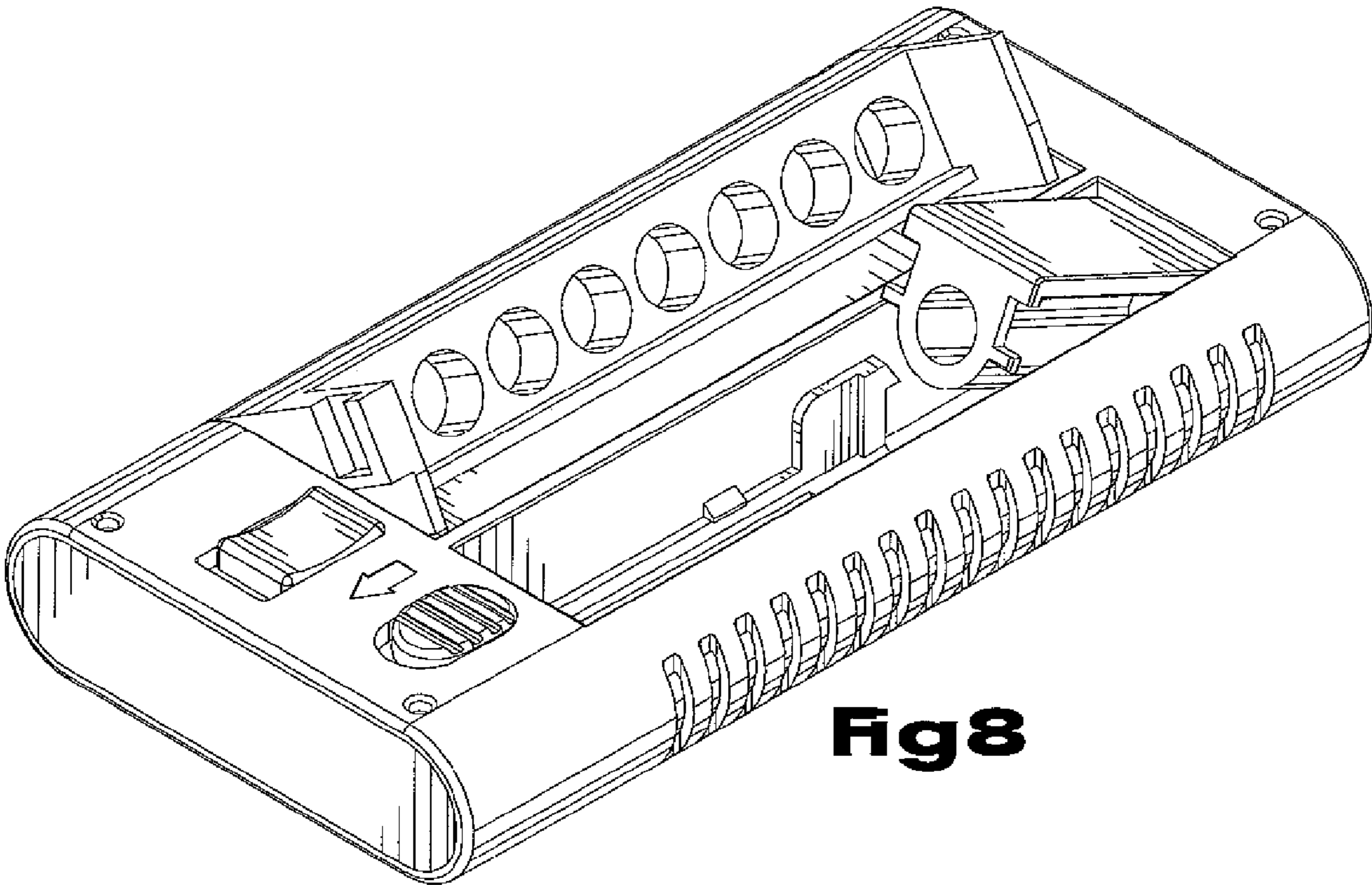


Fig 8

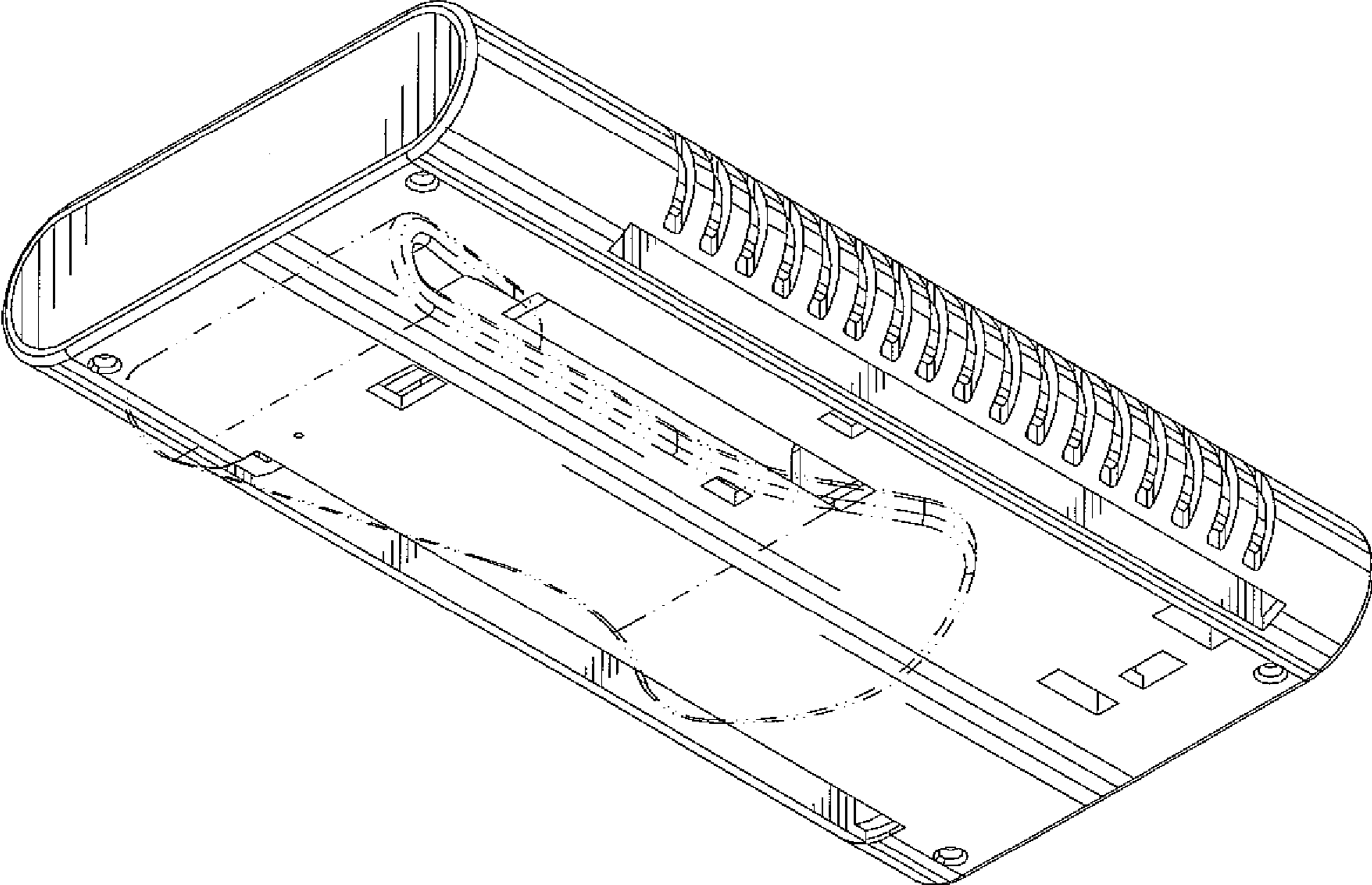


Fig 9