



US00D579202S

(12) **United States Design Patent**
Grenier et al.

(10) **Patent No.:** **US D579,202 S**
(45) **Date of Patent:** **** Oct. 28, 2008**

(54) **CASE**

(75) Inventors: **Jean Pierre Grenier**, Blainville (CA);
Benjamin Coley, La Plaine (CA)

(73) Assignee: **Plasticase, Inc.** (CA)

(**) Term: **14 Years**

(21) Appl. No.: **29/280,560**

(22) Filed: **May 31, 2007**

(51) **LOC (8) Cl.** **03-01**

(52) **U.S. Cl.** **D3/294; D3/905**

(58) **Field of Classification Search** D3/273-274,
D3/276, 282, 291, 294, 295, 905; D9/432;
206/372, 373, 377-379; 220/4.21-4.24
See application file for complete search history.

(56) **References Cited**

U.S. PATENT DOCUMENTS

D353,048 S	12/1994	VanSkiver et al.	
D419,768 S	2/2000	Richardson et al.	
6,098,608 A *	8/2000	Oshlick	124/87
D439,407 S	3/2001	Parker	
D441,954 S	5/2001	Parker	
D462,519 S *	9/2002	Gaydos et al.	D3/276
D467,425 S	12/2002	Hardigg et al.	
D467,426 S	12/2002	Hardigg et al.	
D471,711 S	3/2003	Addison	
D472,384 S	4/2003	Richardson et al.	
6,953,126 B2	10/2005	Parker et al.	

D513,451 S *	1/2006	Richardson et al.	D3/273
D514,808 S *	2/2006	Morine et al.	D3/273
D516,309 S	3/2006	Richardson et al.	
D516,807 S *	3/2006	Richardson et al.	D3/273
D516,811 S *	3/2006	Kahle et al.	D3/282
D520,237 S	5/2006	Cheng	
D523,242 S	6/2006	Hardigg et al.	
2002/0043534 A1 *	4/2002	Uke	220/4.21
2006/0278485 A1	12/2006	Tonelli	

* cited by examiner

Primary Examiner—Raphael Barkai
Assistant Examiner—Randall H Gholson
(74) *Attorney, Agent, or Firm*—GrayRobinson, P.A.

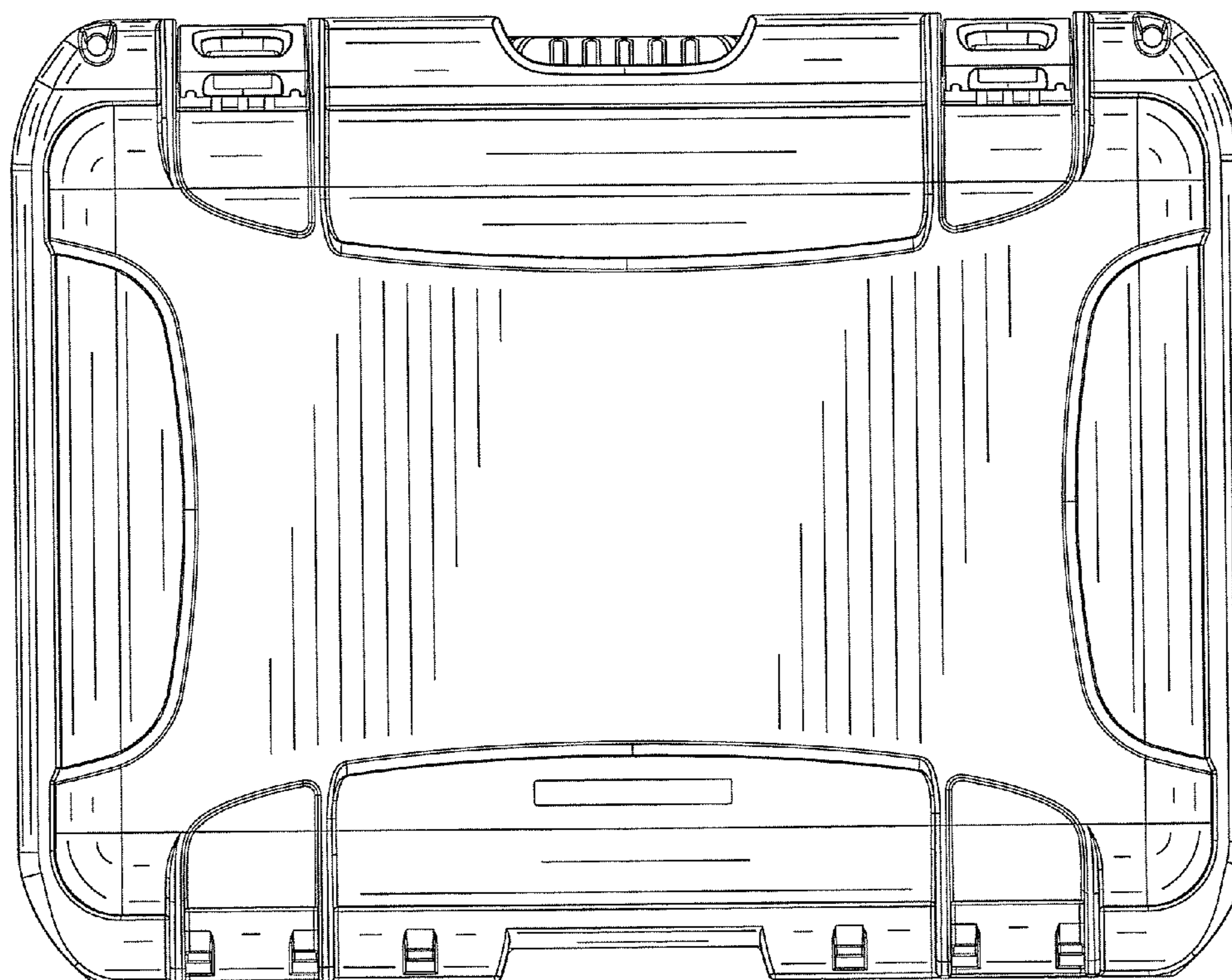
(57) **CLAIM**

The ornamental design of a case, as shown and described.

DESCRIPTION

FIG. 1 is a top plan view of our ornamental design of a case;
FIG. 2 is a front view thereof;
FIG. 3 is a left side view thereof;
FIG. 4 is a right side view thereof;
FIG. 5 is a rear view thereof;
FIG. 6 is a bottom plan view thereof;
FIG. 7 is a front perspective view thereof; and,
FIG. 8 is a rear perspective view thereof.

1 Claim, 8 Drawing Sheets



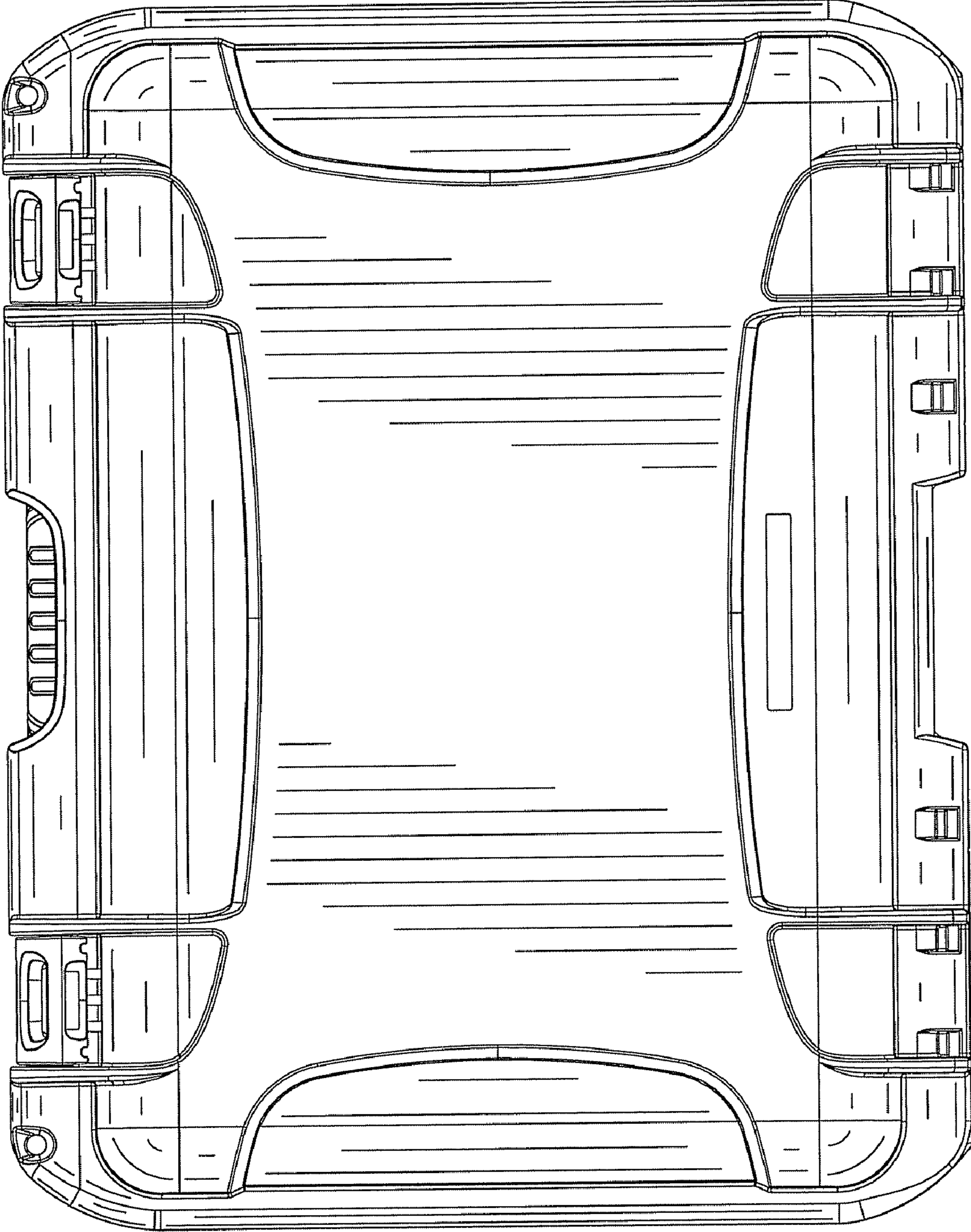


FIG. 1

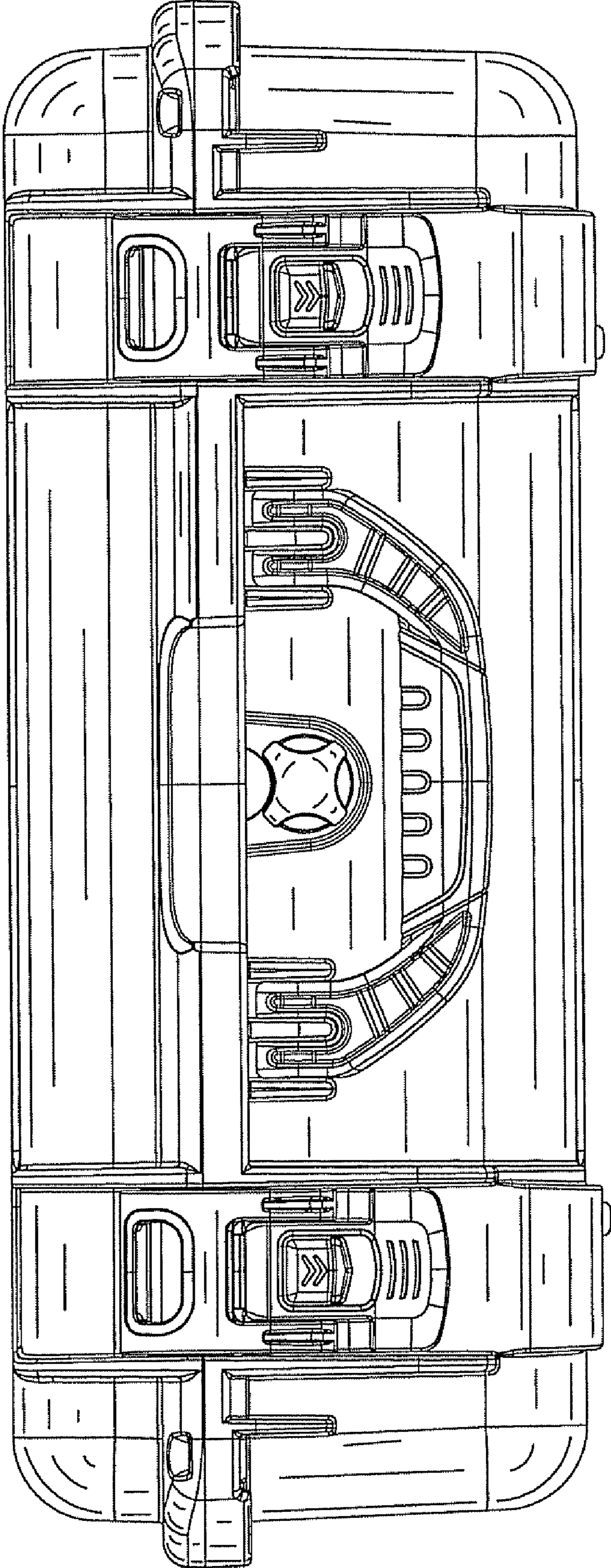


FIG. 2

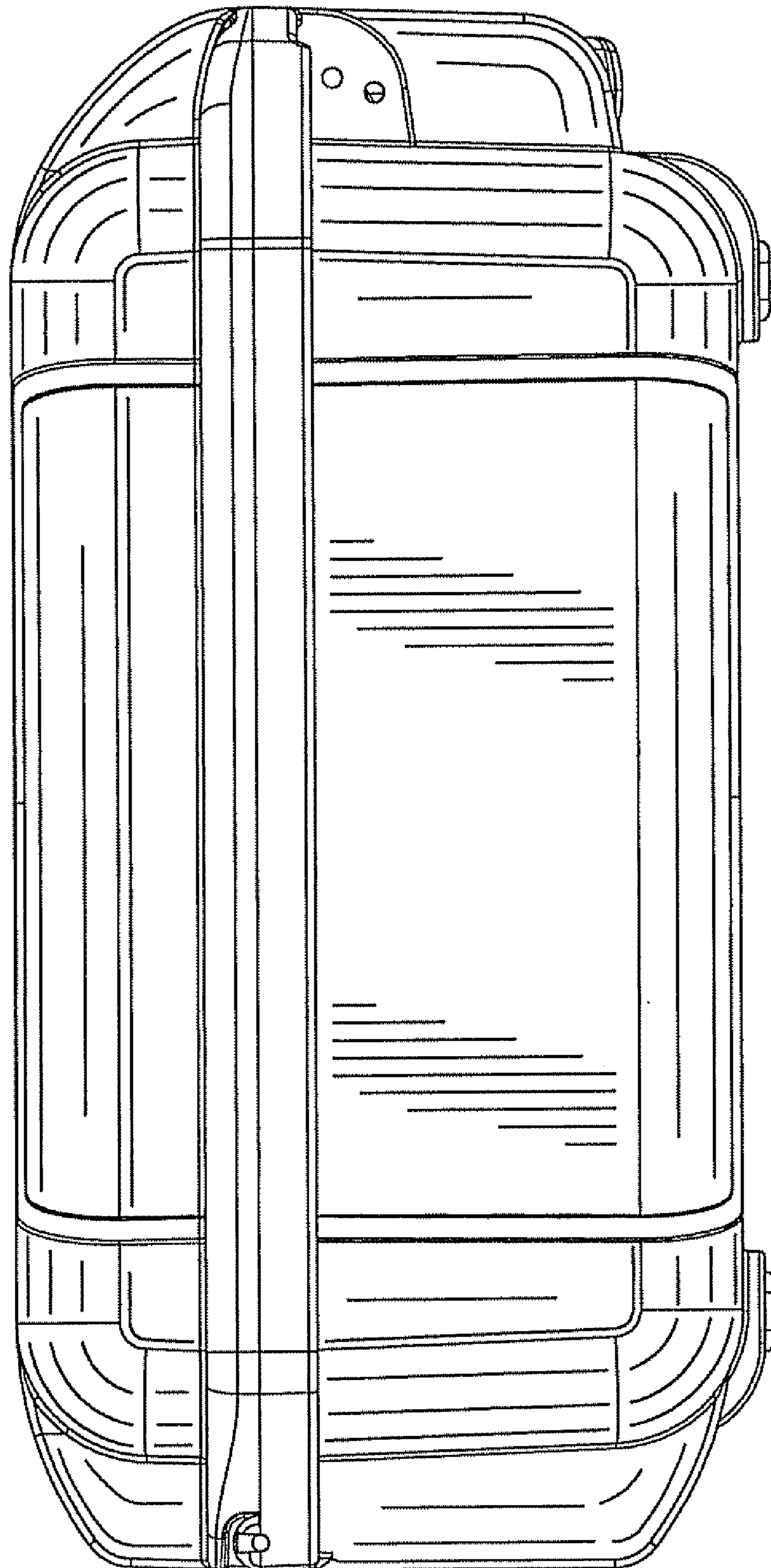


FIG. 3

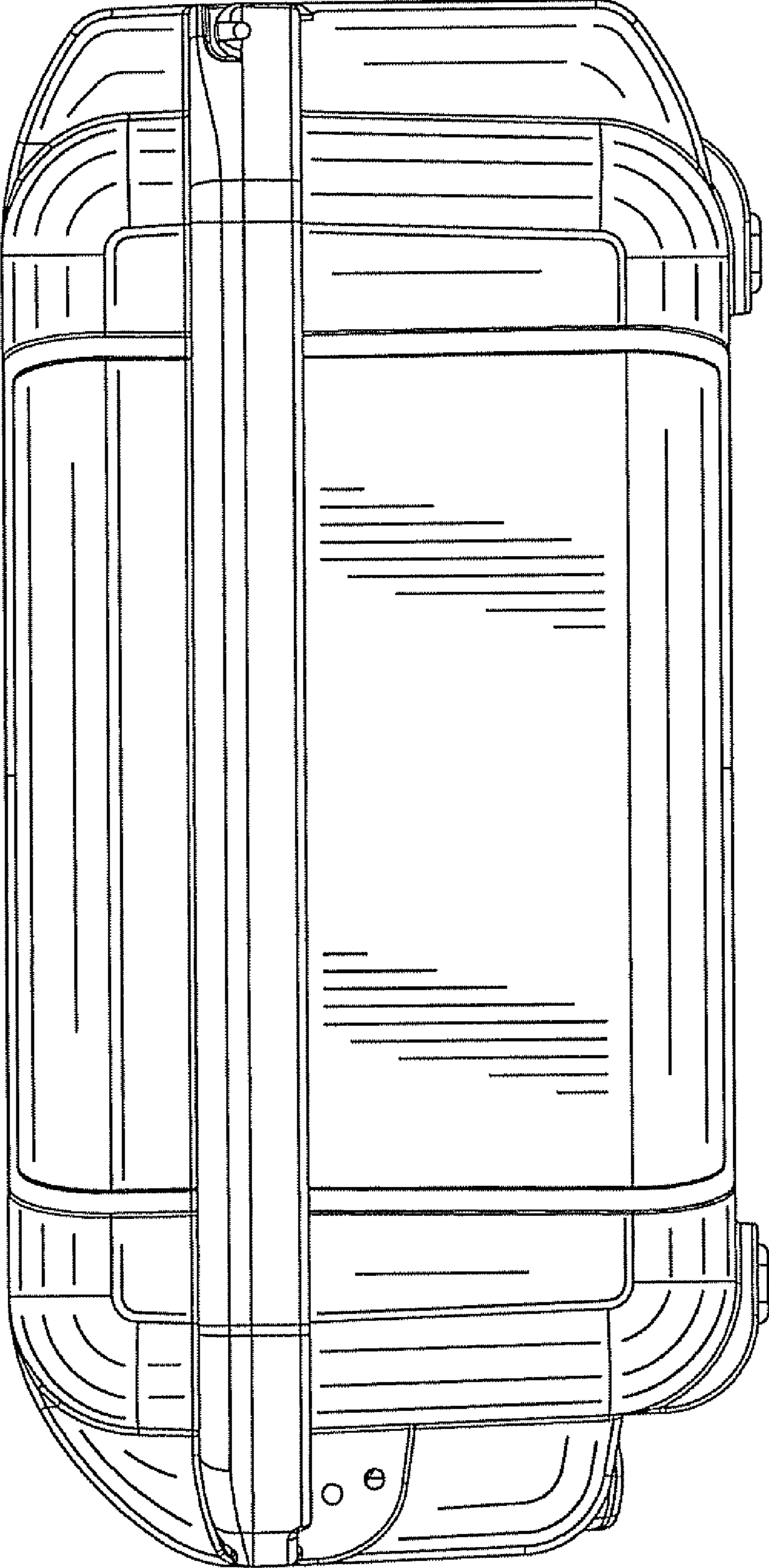


FIG. 4

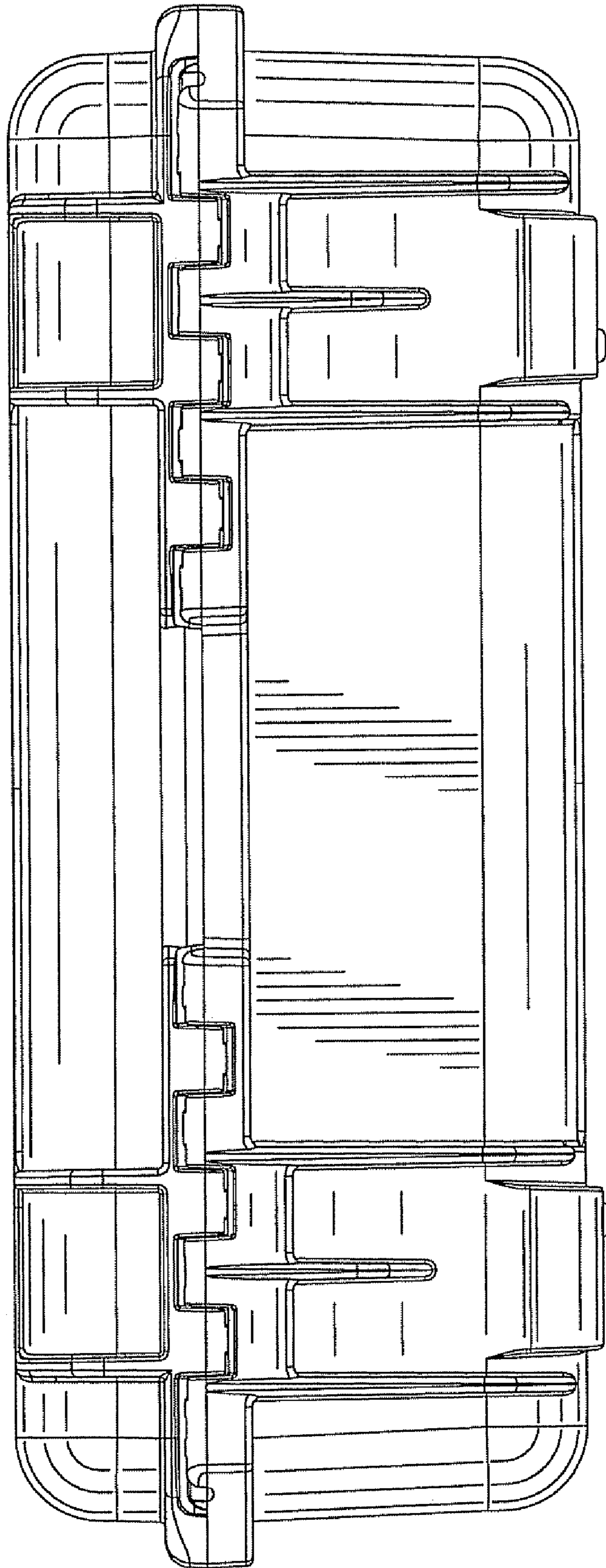


FIG. 5

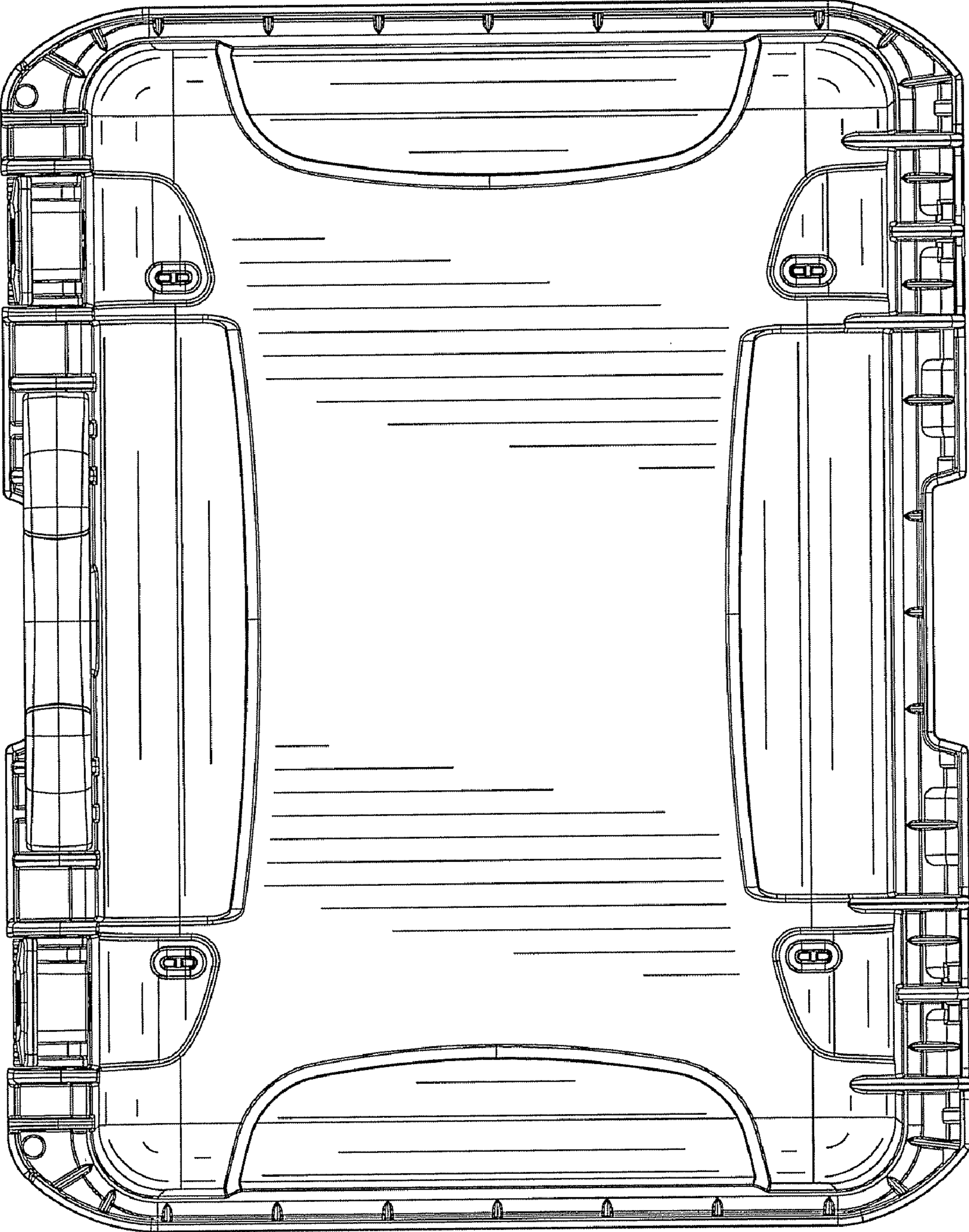


FIG. 6

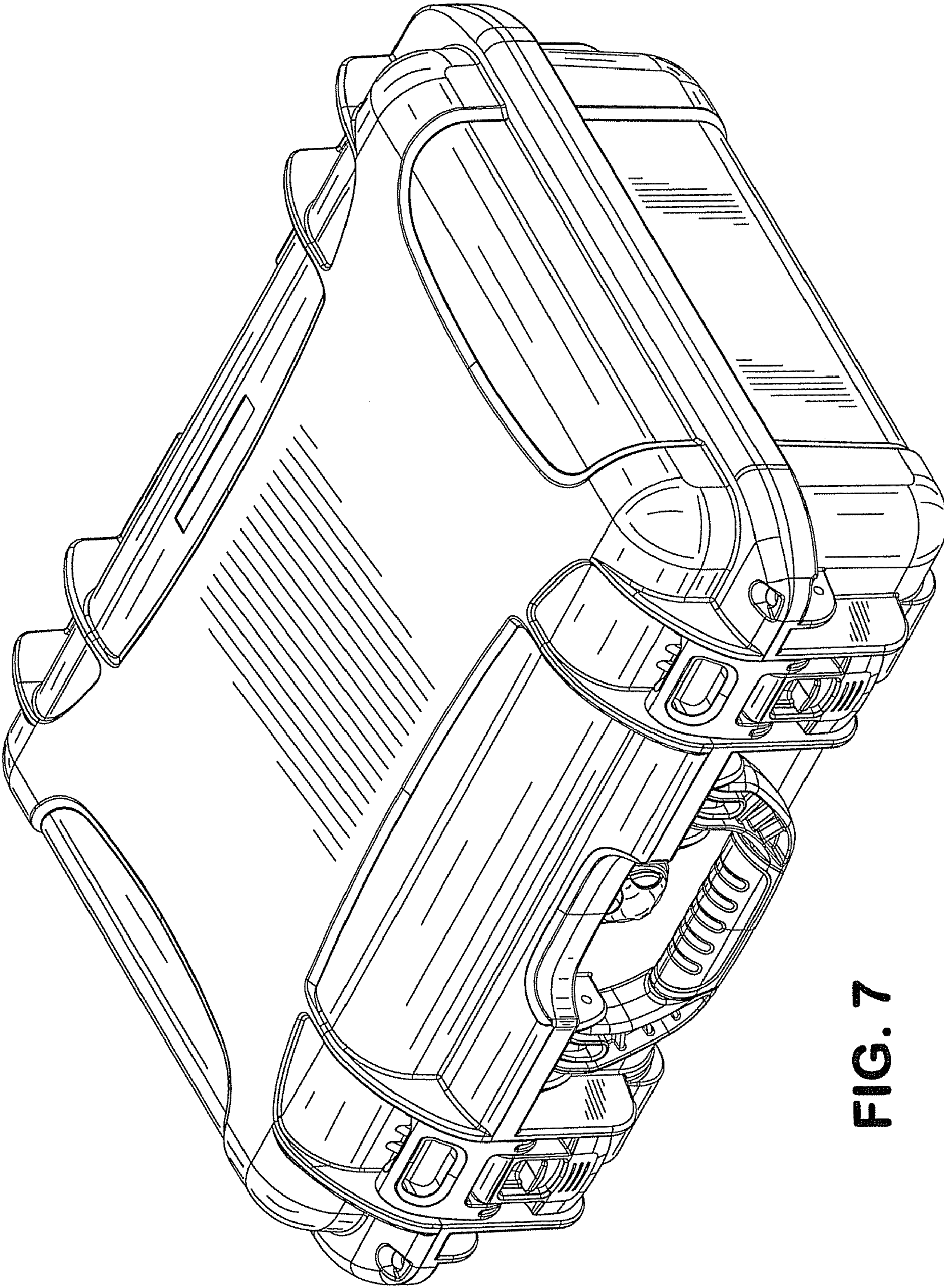


FIG. 7

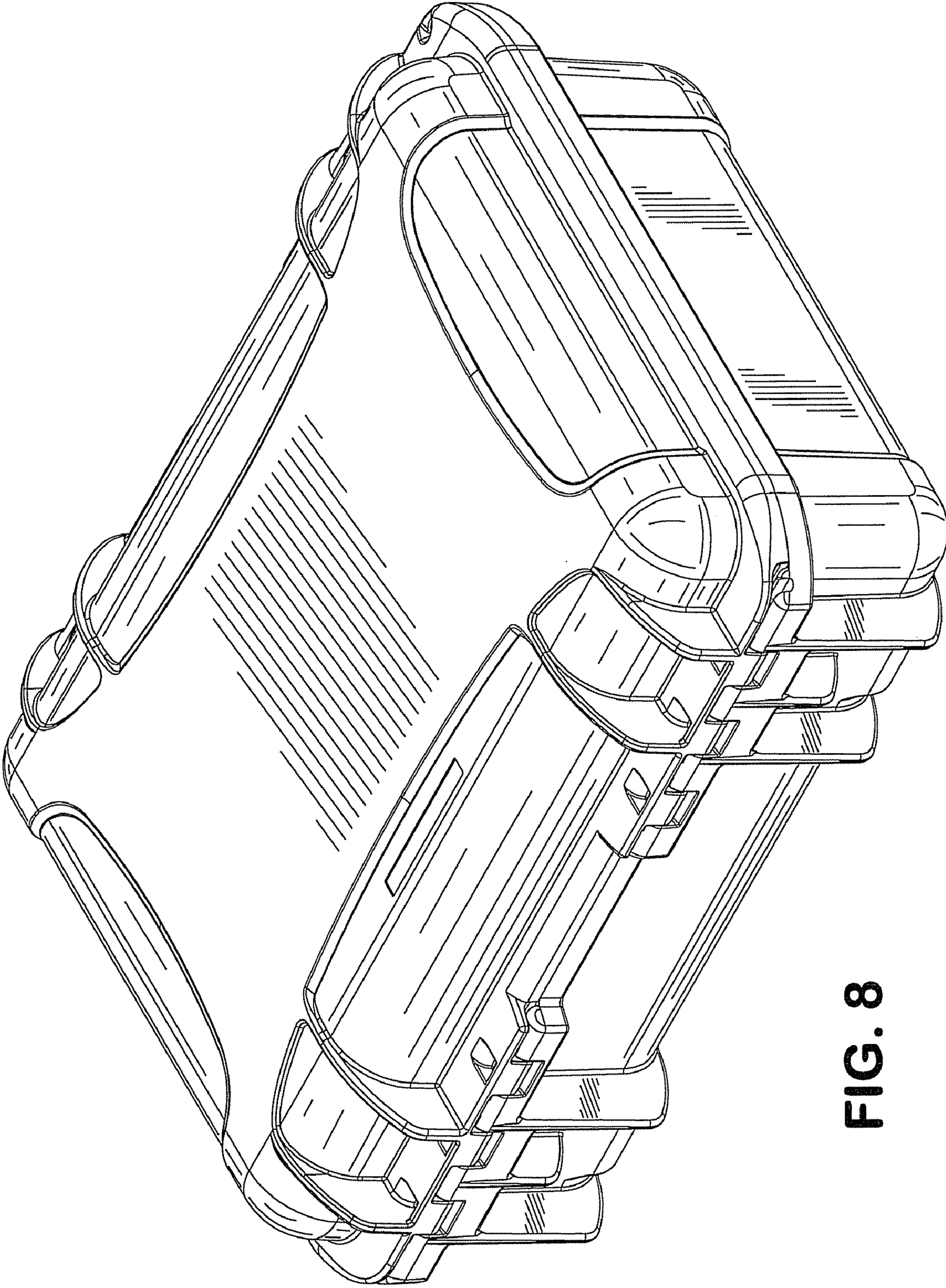


FIG. 8