



US00D579201S

(12) **United States Design Patent**
Galli

(10) **Patent No.:** **US D579,201 S**
(45) **Date of Patent:** **** Oct. 28, 2008**

(54) **PRODUCT CASE**

(76) Inventor: **Robert D. Galli**, 135 Circuit Dr., North
Kingstown, RI (US) 02852

(**) Term: **14 Years**

(21) Appl. No.: **29/303,045**

(22) Filed: **Jan. 31, 2008**

(51) **LOC (8) Cl.** **03-01**

(52) **U.S. Cl.** **D3/273**

(58) **Field of Classification Search** D3/201,
D3/205-206, 273, 294-295, 302; D9/423;
D19/26, 77, 81; D28/78, 83; 206/223, 307,
206/308.1, 569-570, 574, 581, 823, 828

See application file for complete search history.

(56) **References Cited**

U.S. PATENT DOCUMENTS

D187,240 S *	2/1960	Harking	D3/247
D329,331 S *	9/1992	Hobson	D3/294
D331,836 S *	12/1992	Newby, Sr.	D12/423
D335,220 S *	5/1993	Ward et al.	D3/302
D335,896 S *	5/1993	Evenson	D19/83
D349,214 S *	8/1994	Wedi	D7/605
D450,921 S *	11/2001	Kirkland	D3/206
D491,358 S *	6/2004	Hofman et al.	D3/273

D507,145 S *	7/2005	Prata dos Santos	D6/629
D507,921 S *	8/2005	Cardoso Prata dos Santos	D6/629
D566,449 S *	4/2008	Prata dos Santos	D6/629

* cited by examiner

Primary Examiner—Philip S Hyder

Assistant Examiner—Roselyne Cody

(74) *Attorney, Agent, or Firm*—Barlow, Josephs & Holmes,
Ltd.

(57) **CLAIM**

The ornamental design for product case, as shown and
described.

DESCRIPTION

FIG. 1 is a perspective view showing my new design for
product case;

FIG. 2 is a front view thereof;

FIG. 3 is a rear view thereof;

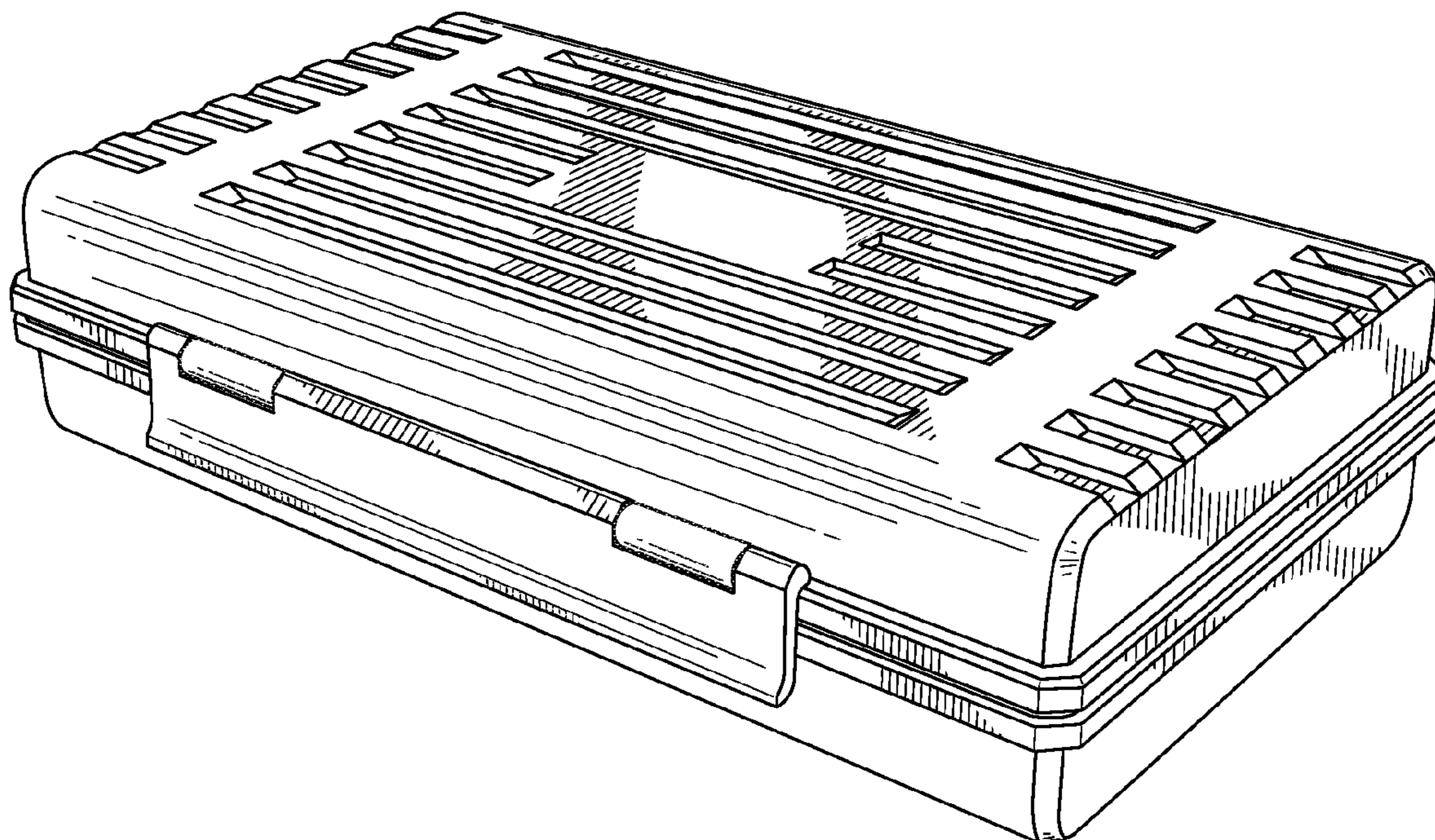
FIG. 4 is a right side view thereof;

FIG. 5 is a left side view thereof;

FIG. 6 is a top side view thereof; and,

FIG. 7 is a bottom side view thereof.

1 Claim, 5 Drawing Sheets



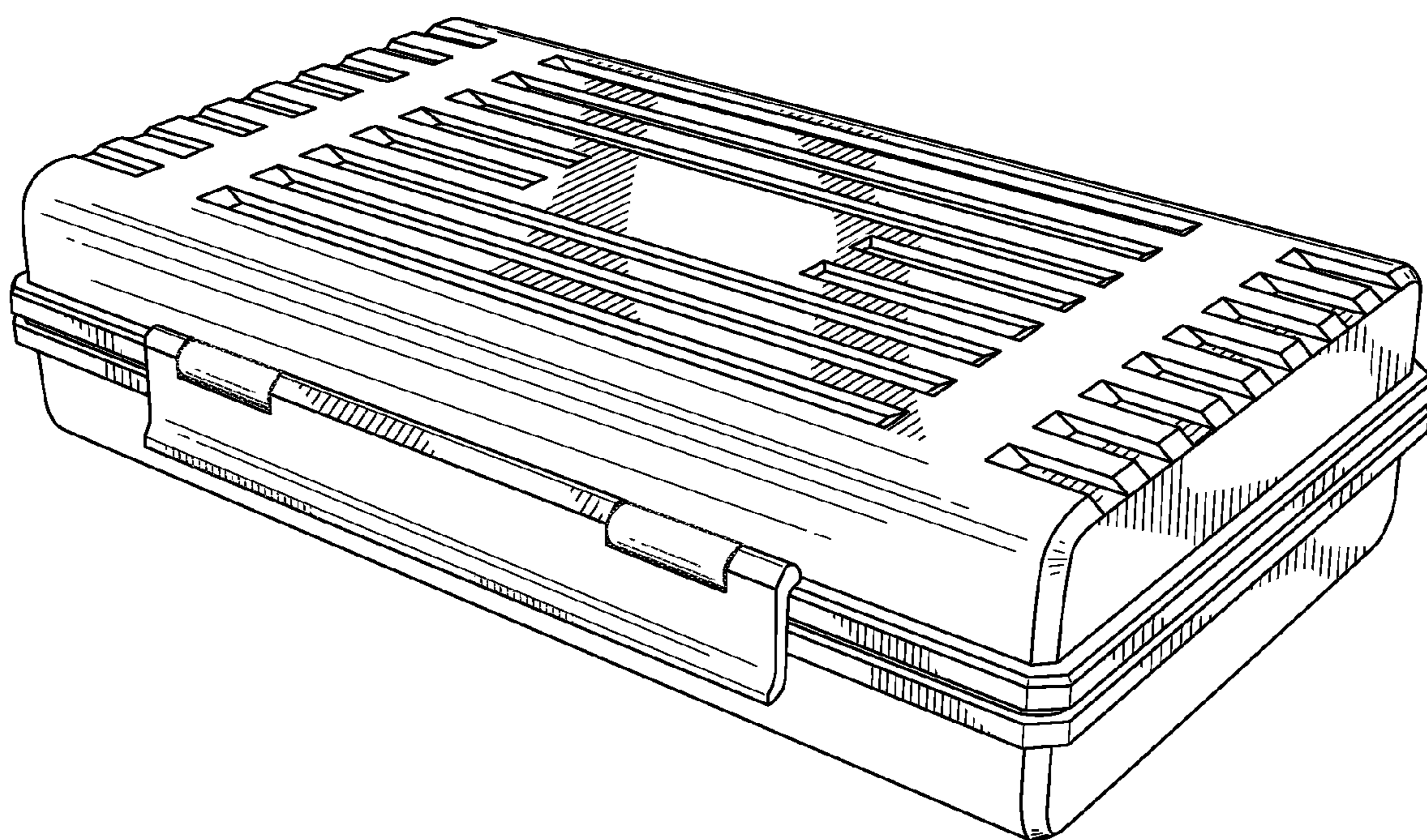


FIG. 1

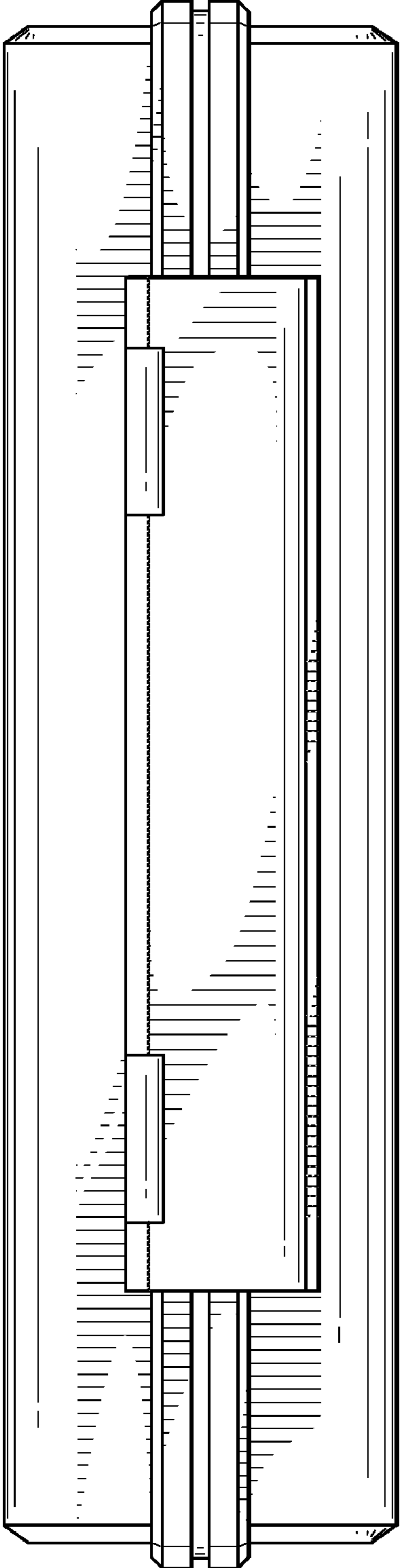


FIG. 2

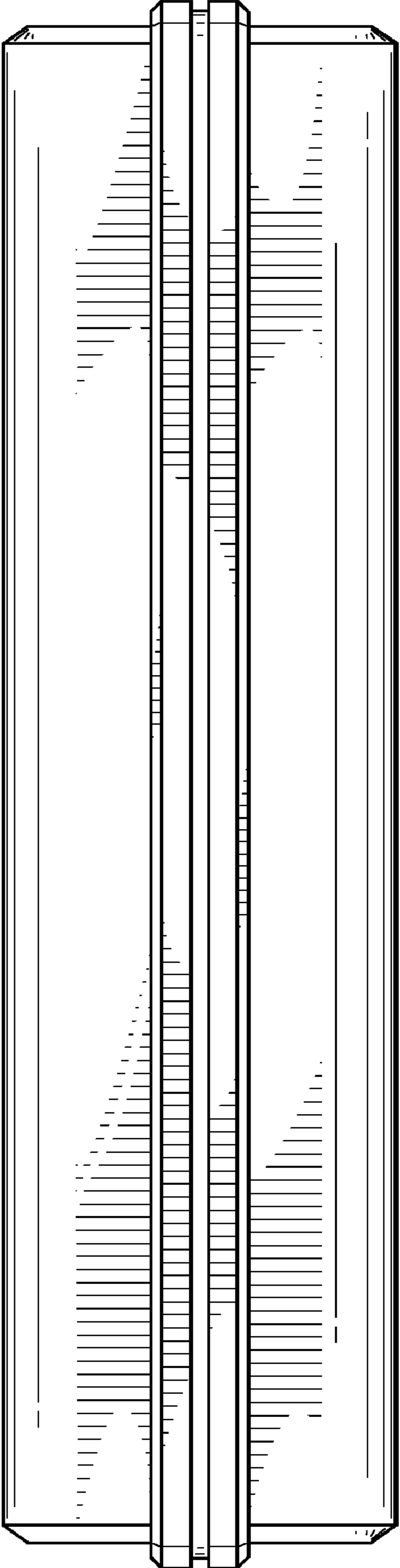


FIG. 3

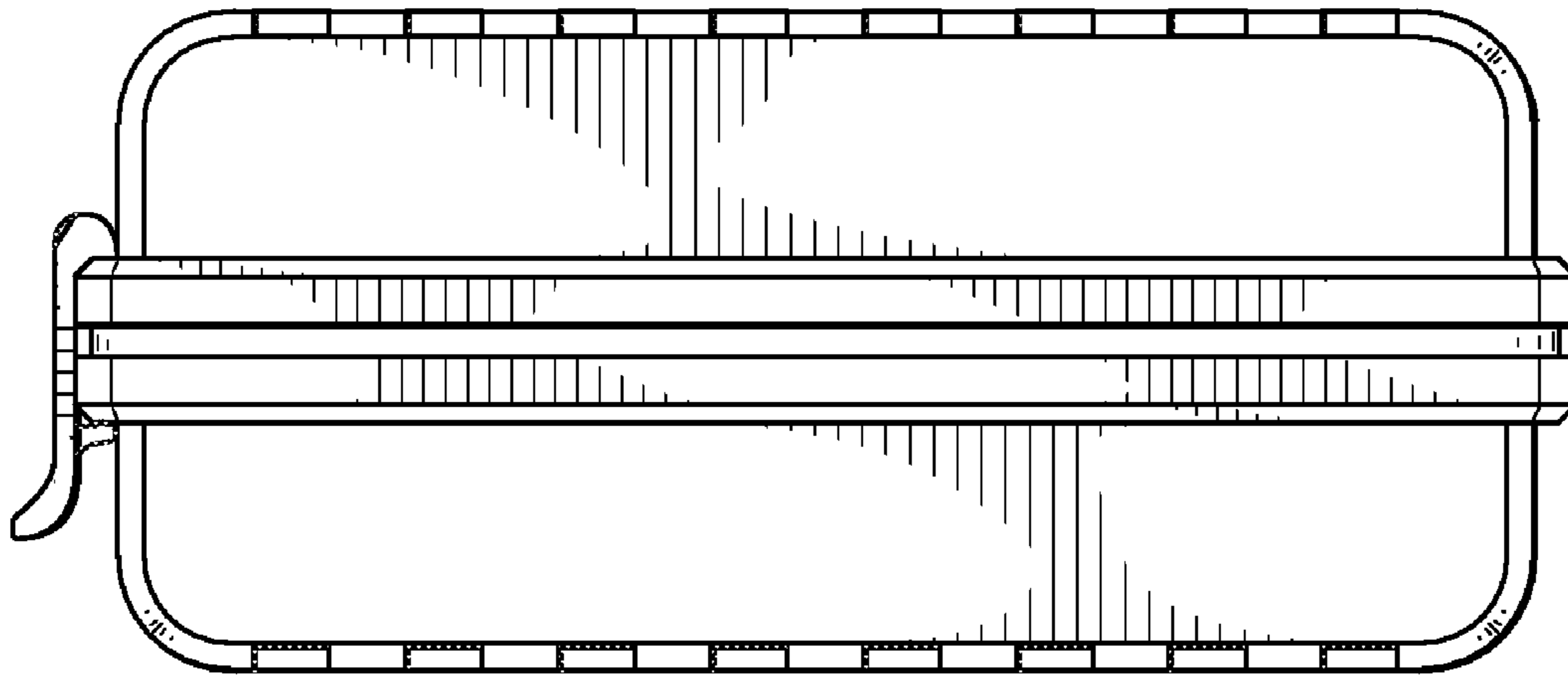


FIG. 4

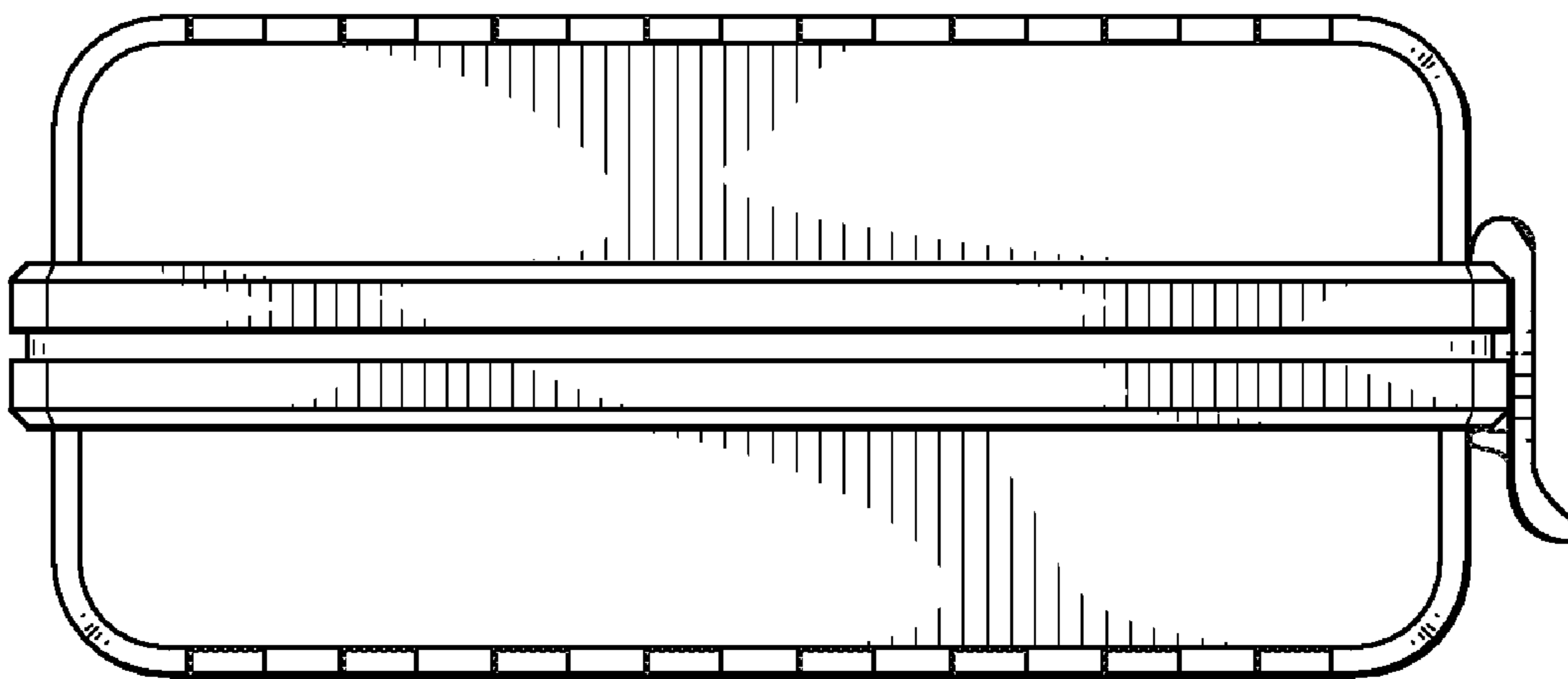


FIG. 5

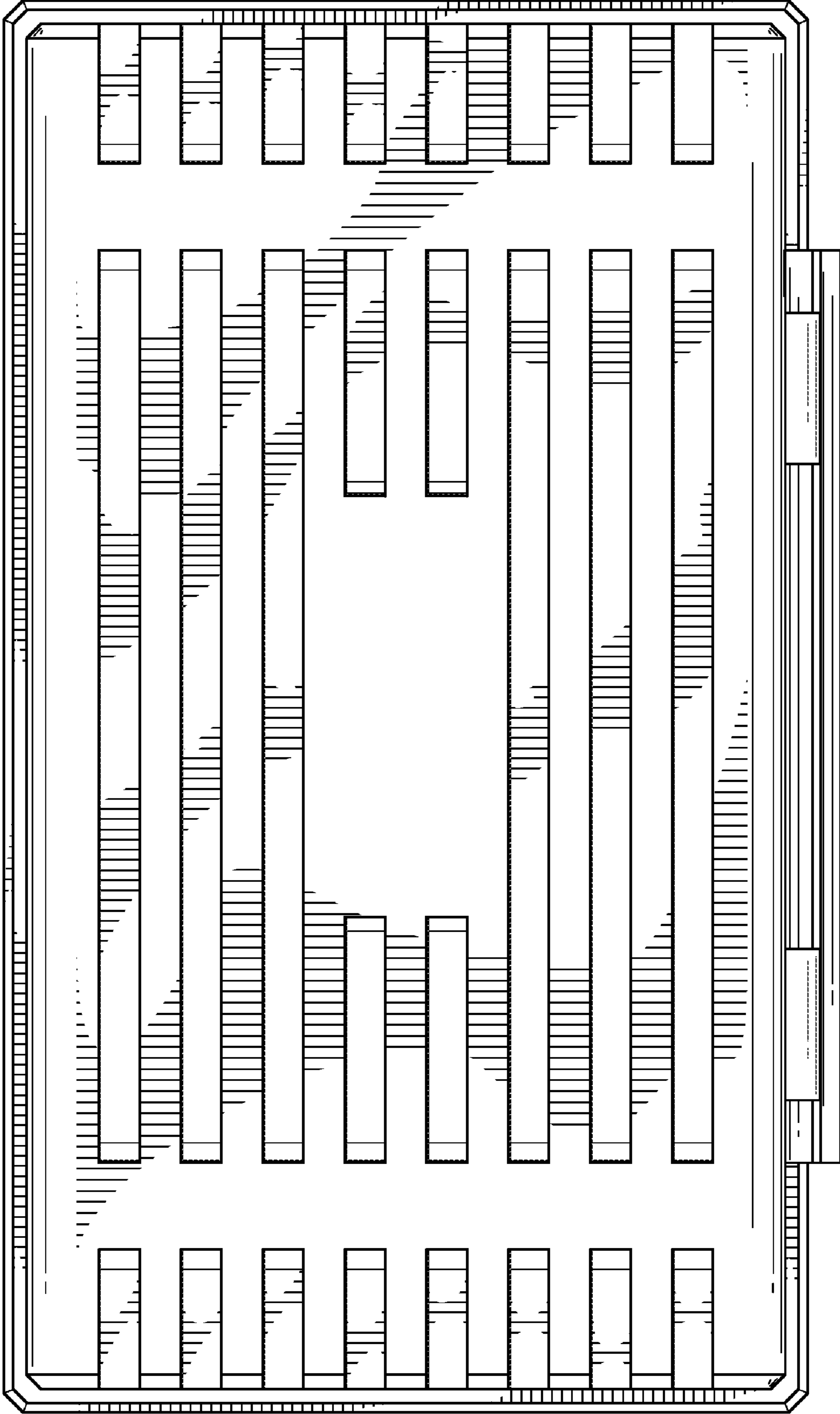


FIG. 6

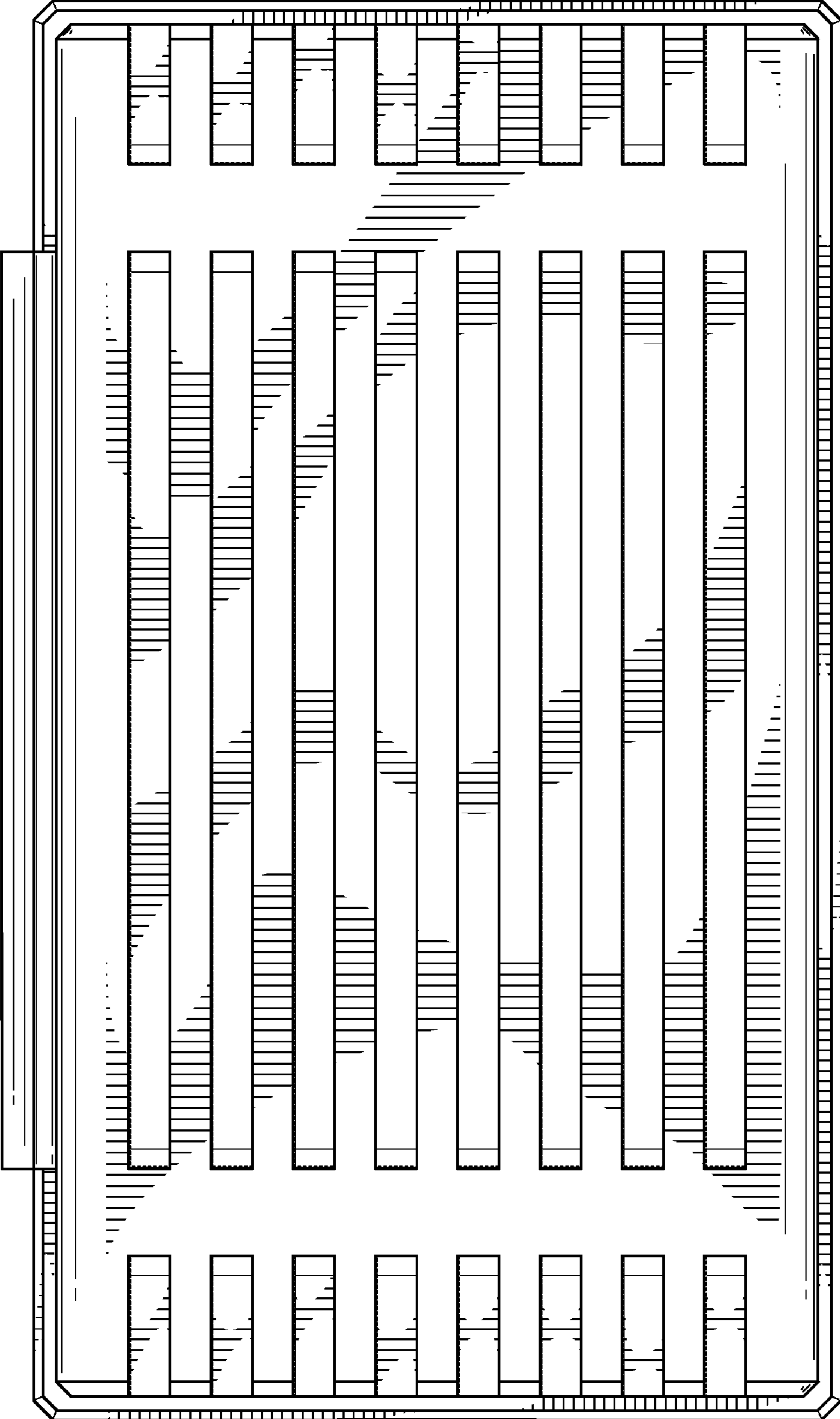


FIG. 7