



US00D579200S

(12) **United States Design Patent**  
**Skrocki et al.**

(10) **Patent No.:** **US D579,200 S**  
(45) **Date of Patent:** **\*\* Oct. 28, 2008**

(54) **CANISTER**

7,191,773 B2 \* 3/2007 Vincent ..... 124/49  
2003/0154967 A1 \* 8/2003 Trier et al. .... 124/49

(75) Inventors: **Mark Skrocki**, Fayetteville, AR (US);  
**Angelia M. Smith**, Rogers, AR (US);  
**Rick Dochterman**, Rogers, AR (US);  
**Terry Neumaster**, Lowell, AR (US)

**OTHER PUBLICATIONS**

World of Stock Photos and Prints websight, Printout of Paintball Canister.\*

(73) Assignee: **J.T. Sports, LLC**, Bentonville, AR (US)

\* cited by examiner

(\*\*) Term: **14 Years**

*Primary Examiner*—Philip S Hyder

(21) Appl. No.: **29/189,748**

(74) *Attorney, Agent, or Firm*—Keisling Pieper & Scott PLC;  
David B. Pieper; Trent C. Keisling

(22) Filed: **Sep. 9, 2003**

(57) **CLAIM**

(51) **LOC (8) Cl.** ..... **03-01**

The ornamental design for a canister, as shown and described.

(52) **U.S. Cl.** ..... **D3/257**

**DESCRIPTION**

(58) **Field of Classification Search** ..... D3/257,  
D3/258, 262, 254, 203.1; D22/199; D21/573;  
124/48, 49, 50, 51.1; D9/773

FIG. 1 is an isometric view of a canister showing my new design;

See application file for complete search history.

FIG. 2 is a left side elevational view thereof;

(56) **References Cited**

**U.S. PATENT DOCUMENTS**

D349,238 S \* 8/1994 Haber ..... D3/203.2  
5,809,983 A \* 9/1998 Stoneking ..... 124/50  
D460,502 S \* 7/2002 Traum et al. .... D21/573  
6,722,355 B1 \* 4/2004 Andrews, Jr. .... 124/49  
7,100,810 B1 \* 9/2006 Bosch et al. .... 224/682

FIG. 3 is a front elevational view thereof;

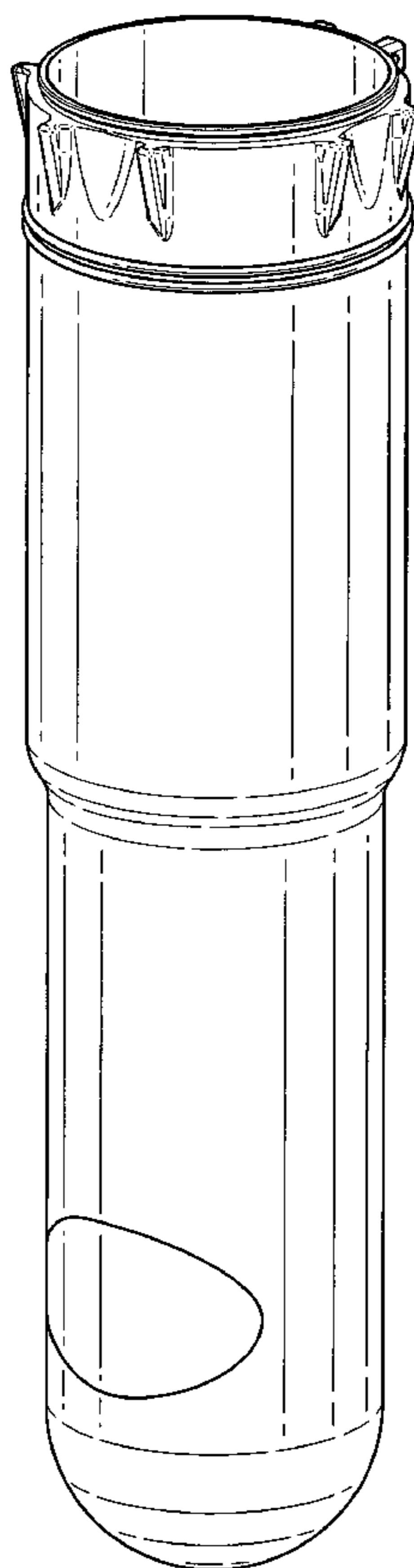
FIG. 4 is a right side elevational view thereof;

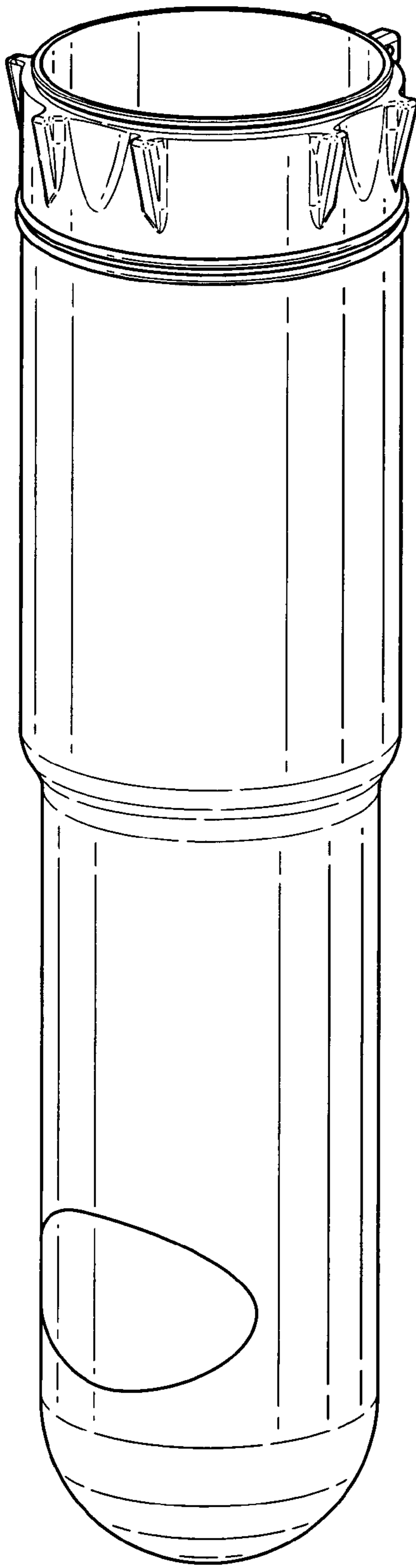
FIG. 5 is a back elevational view thereof;

FIG. 6 is a top elevational view thereof; and,

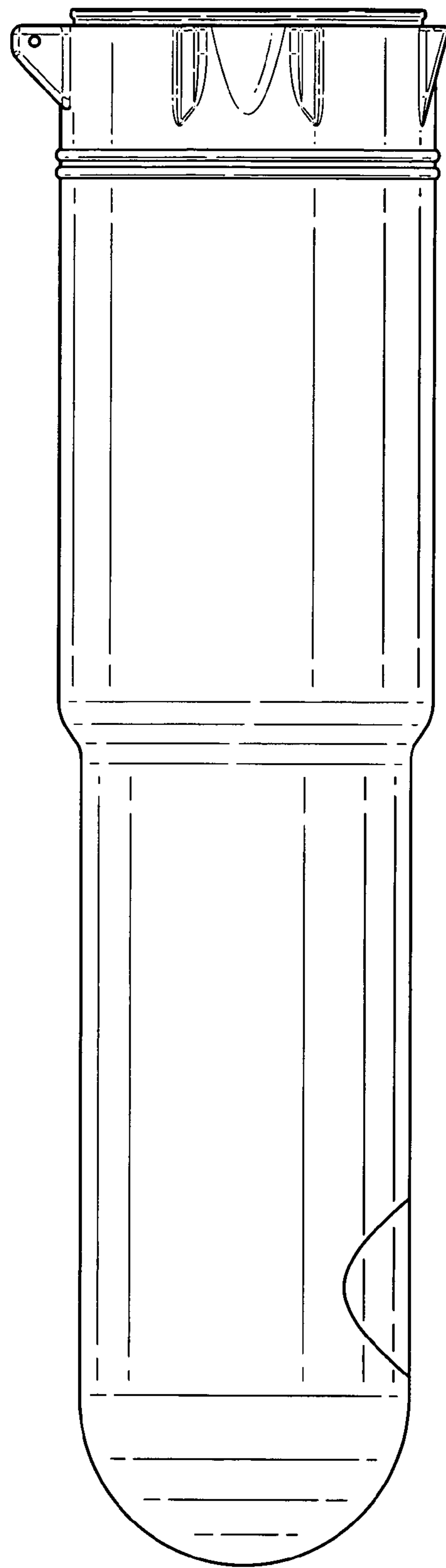
FIG. 7 is a bottom elevational view thereof.

**1 Claim, 3 Drawing Sheets**

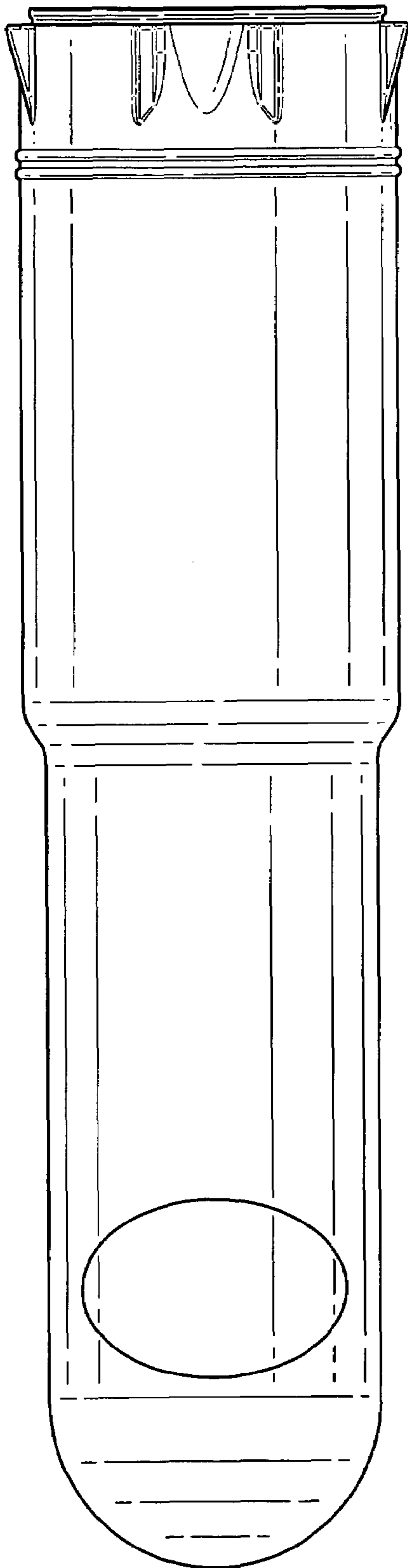




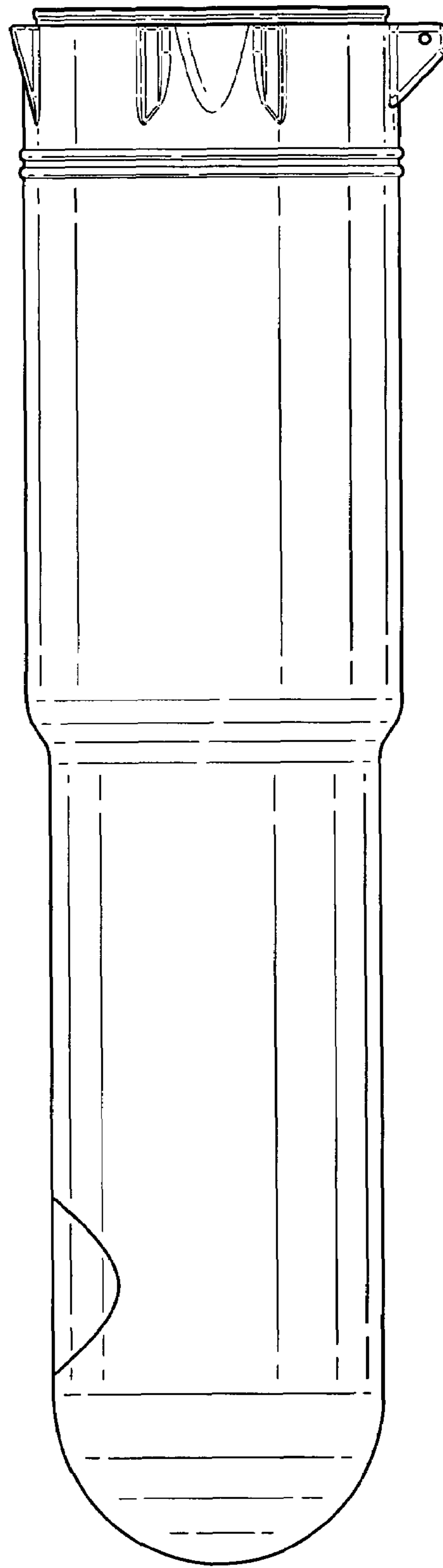
*FIG. 1*



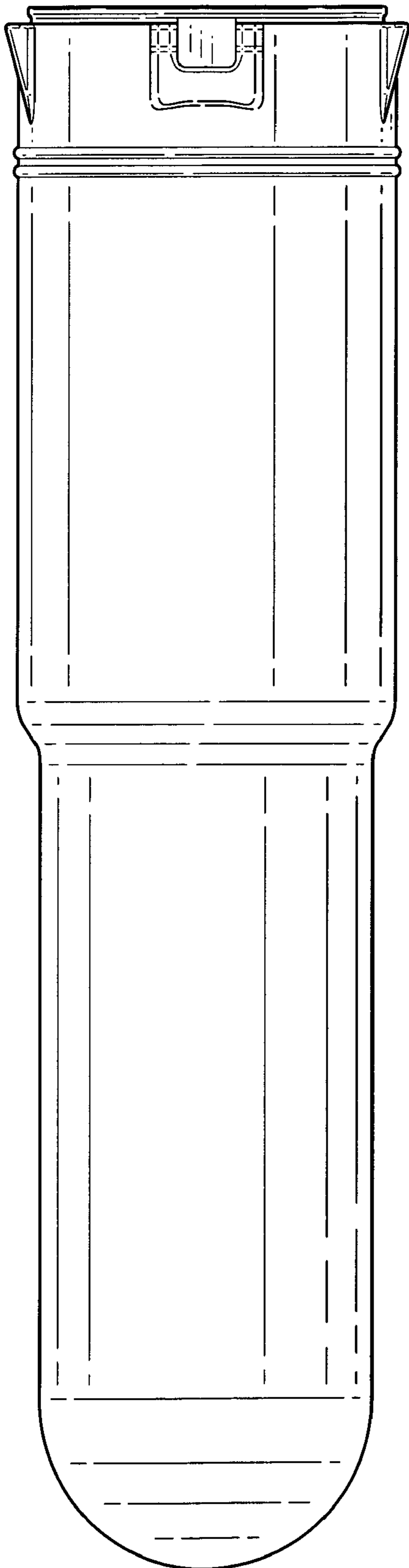
*FIG. 2*



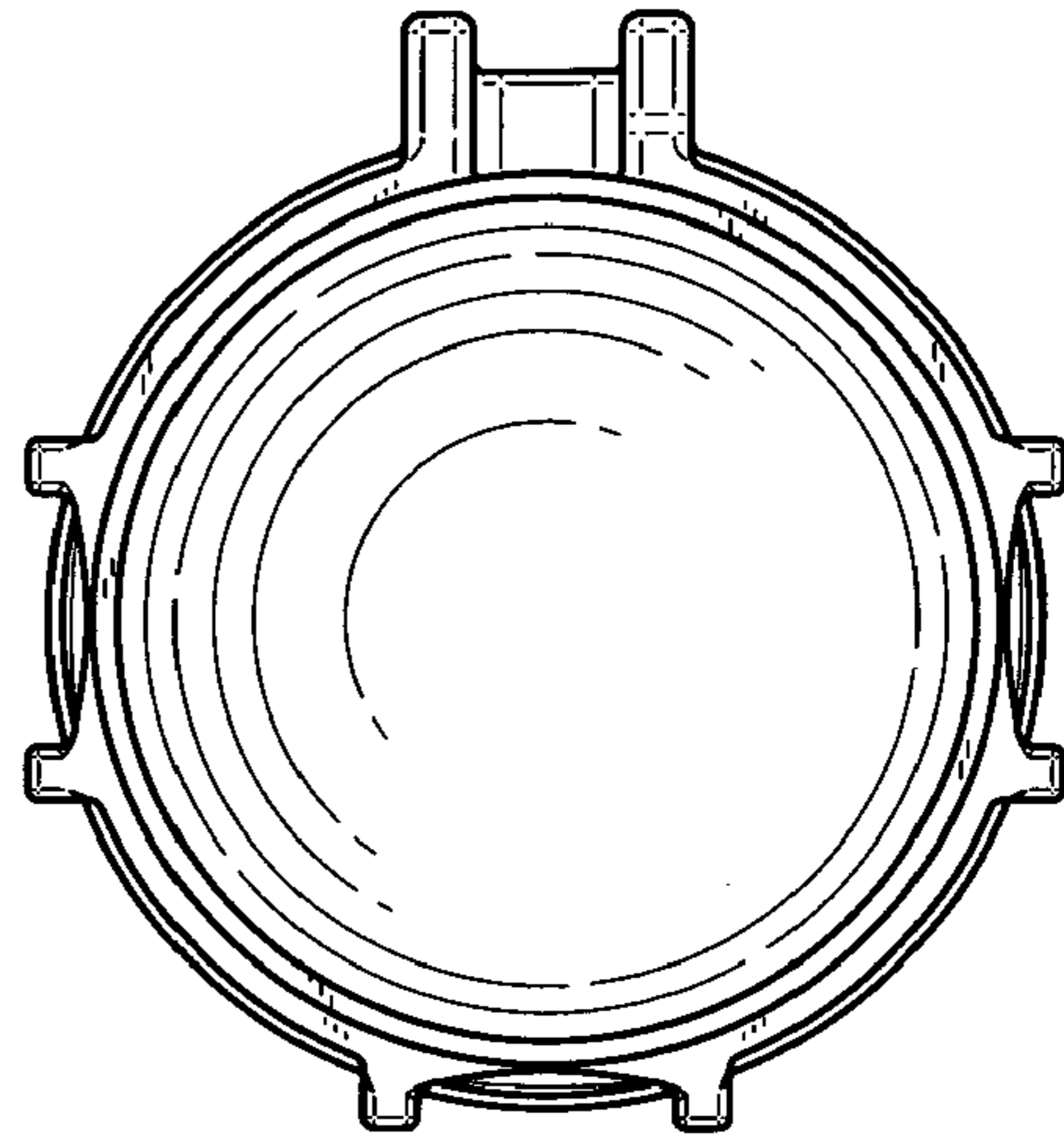
*FIG. 3*



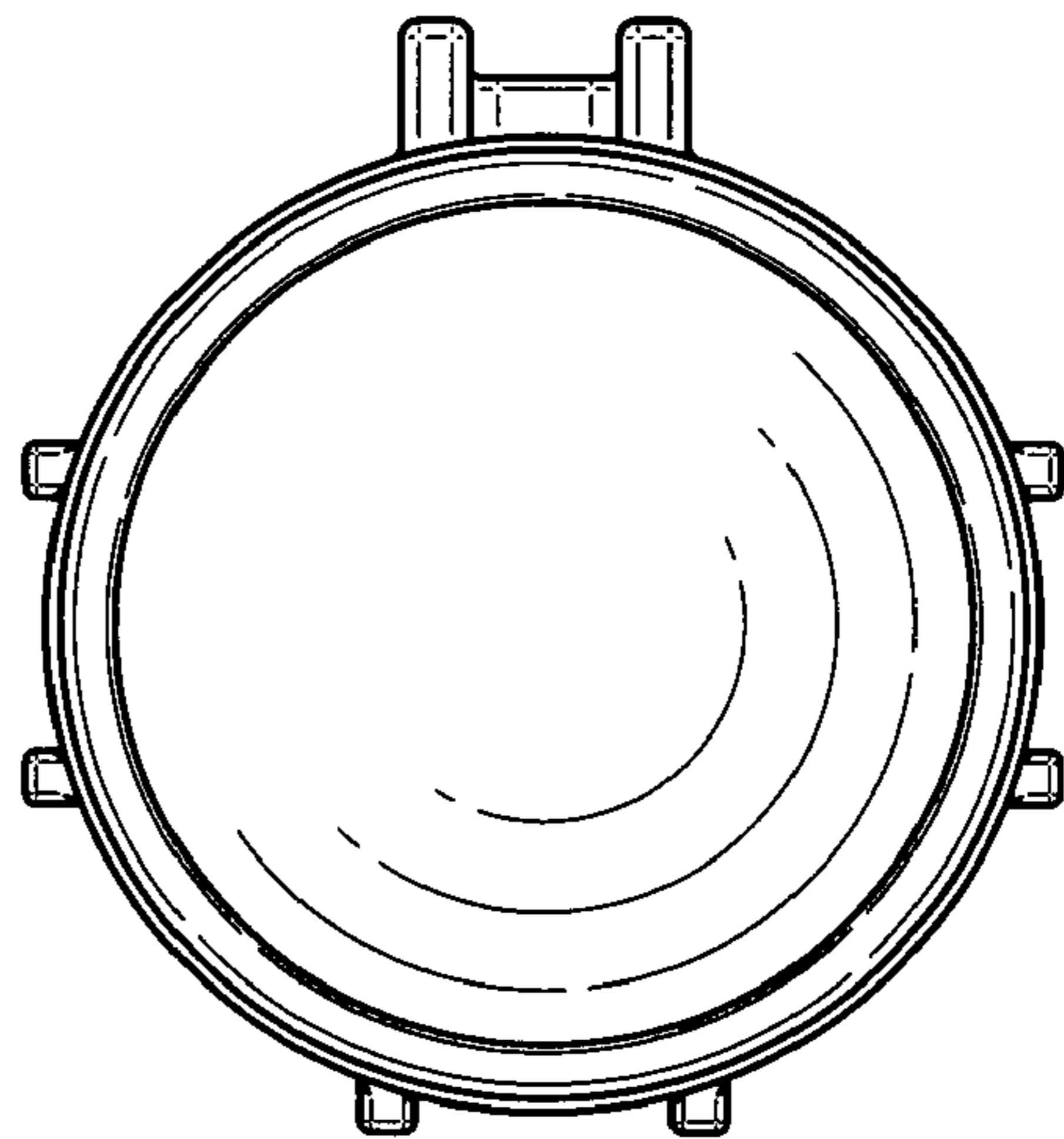
*FIG. 4*



*FIG. 5*



*FIG. 6*



*FIG. 7*