



US00D579196S

(12) **United States Design Patent**
Bizzell

(10) **Patent No.:** **US D579,196 S**
(45) **Date of Patent:** **** Oct. 28, 2008**

(54) **BABY BAG**

(75) Inventor: **Daniel Lee Bizzell**, Davidson, NC (US)

(73) Assignee: **Edison Nation, LLC**, Charlotte, NC (US)

(**) Term: **14 Years**

(21) Appl. No.: **29/296,294**

(22) Filed: **Oct. 17, 2007**

(51) **LOC (8) Cl.** **03-01**

(52) **U.S. Cl.** **D3/232**

(58) **Field of Classification Search** D3/232-234,
D3/240-246, 318, 322, 324; 150/100, 103-104,
150/107-110, 114, 118-119

See application file for complete search history.

(56) **References Cited**

U.S. PATENT DOCUMENTS

D384,812 S * 10/1997 Heffelfinger D3/243

D419,763 S * 2/2000 Wiebe D3/233

D513,868 S * 1/2006 Warberg D3/243

* cited by examiner

Primary Examiner—Holly H Baynham

(74) *Attorney, Agent, or Firm*—Tillman Wright, PLLC; Chad D. Tillman; James D. Wright

(57) **CLAIM**

The ornamental design for a baby bag, as shown and described.

DESCRIPTION

FIG. 1 is a perspective view of the design for a baby bag of the present invention.

FIG. 2 is a front elevational view of the baby bag of FIG. 1.

FIG. 3 is a back elevational view of the baby bag of FIG. 1.

FIG. 4 is a left elevational view of the baby bag of FIG. 1.

FIG. 5 is a right elevational view of the baby bag of FIG. 1.

FIG. 6 is a top plan view of the baby bag of FIG. 1; and,

FIG. 7 is a bottom plan view of the baby bag of FIG. 1.

The broken lines illustrated in the drawings is for illustrative purposes only and forms no part of the claimed design.

1 Claim, 6 Drawing Sheets





FIG. 1

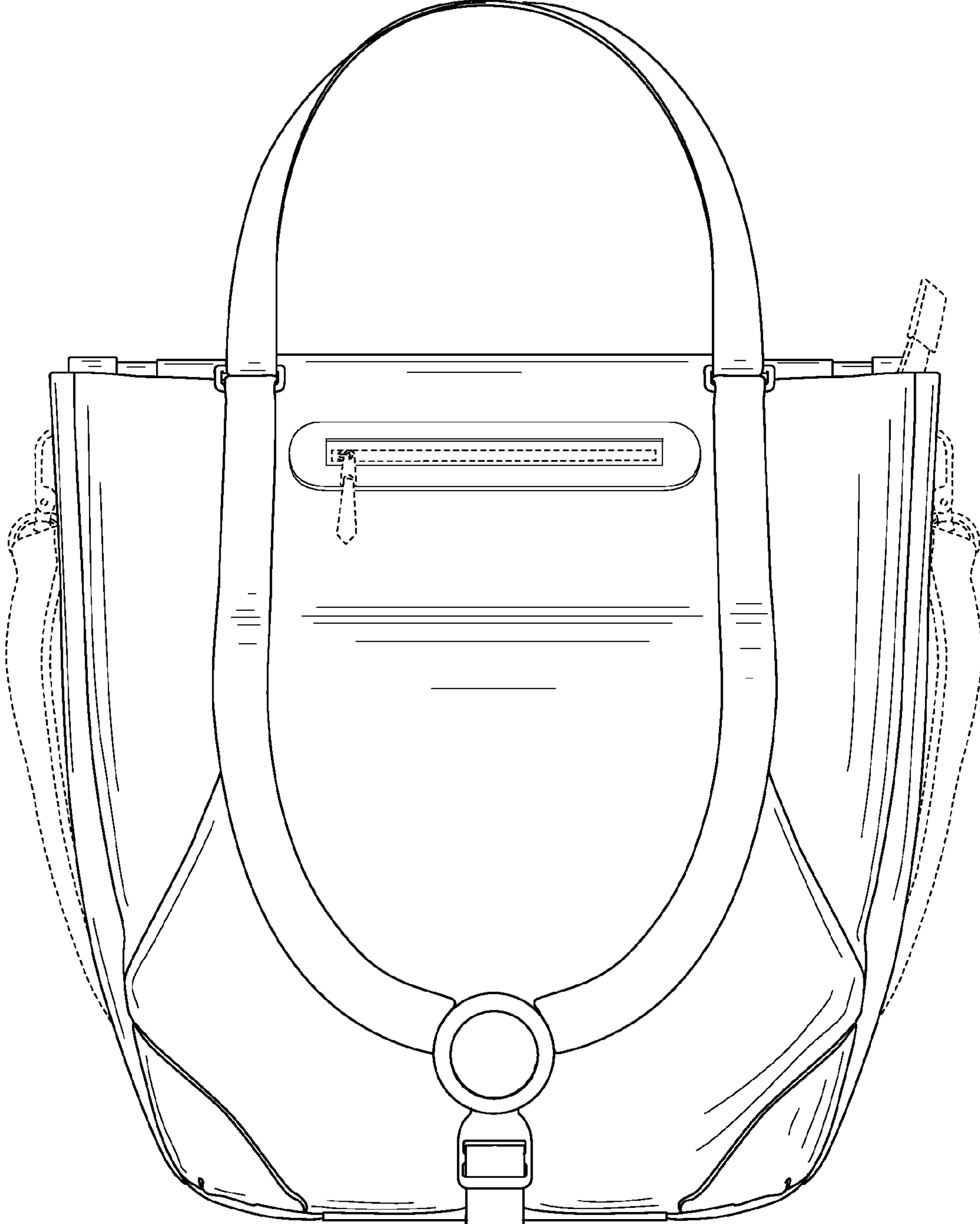


FIG. 2

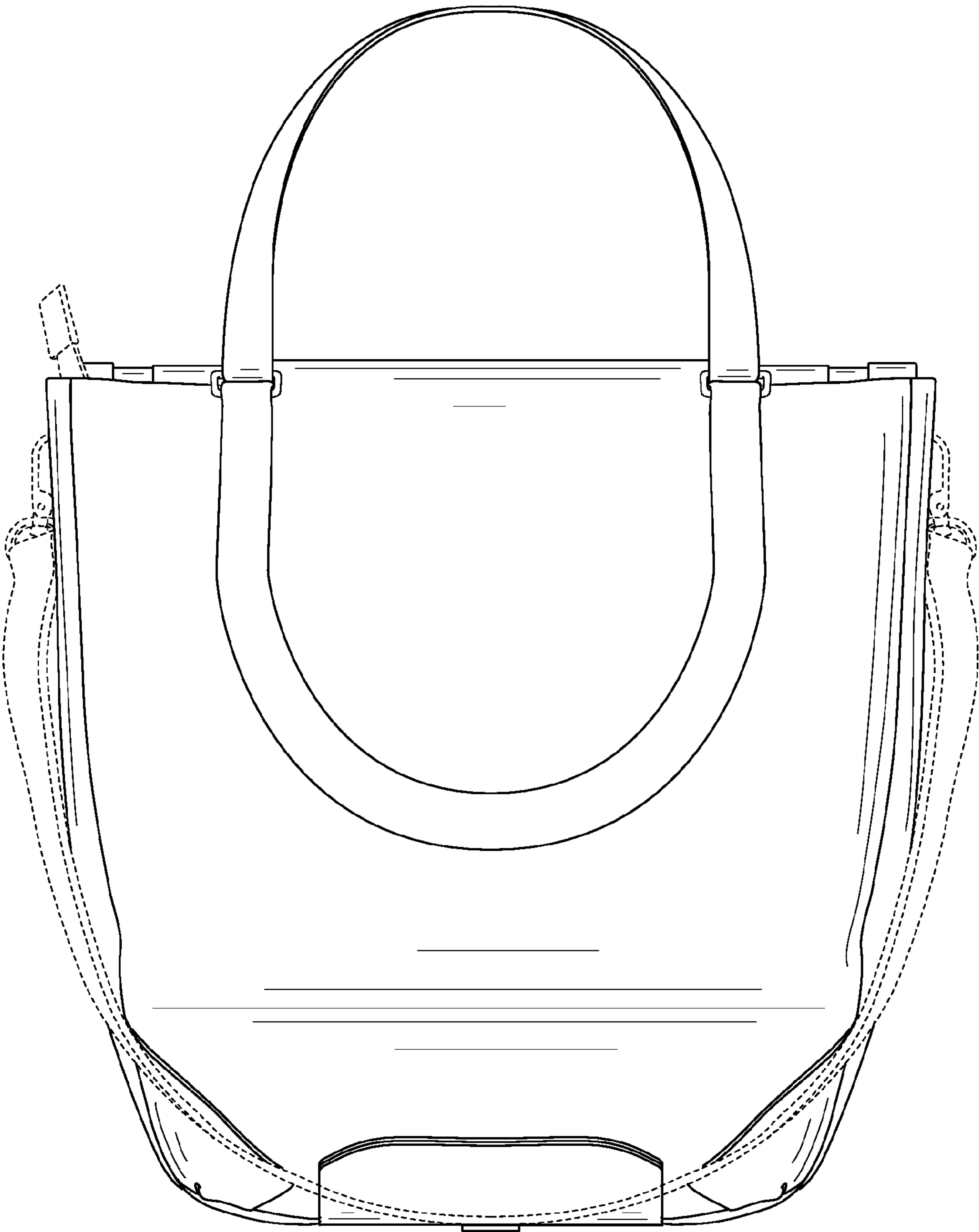


FIG. 3

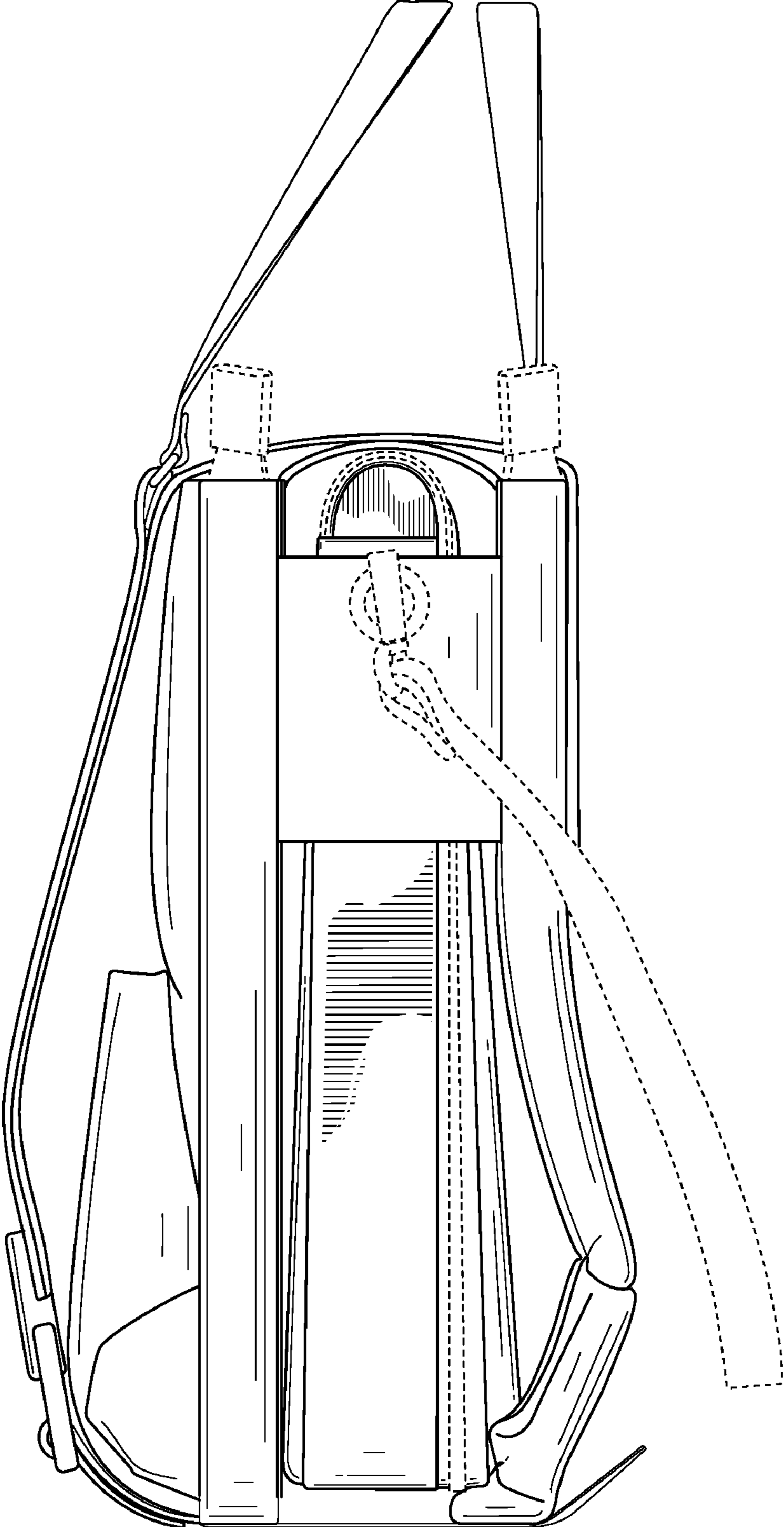


FIG. 4

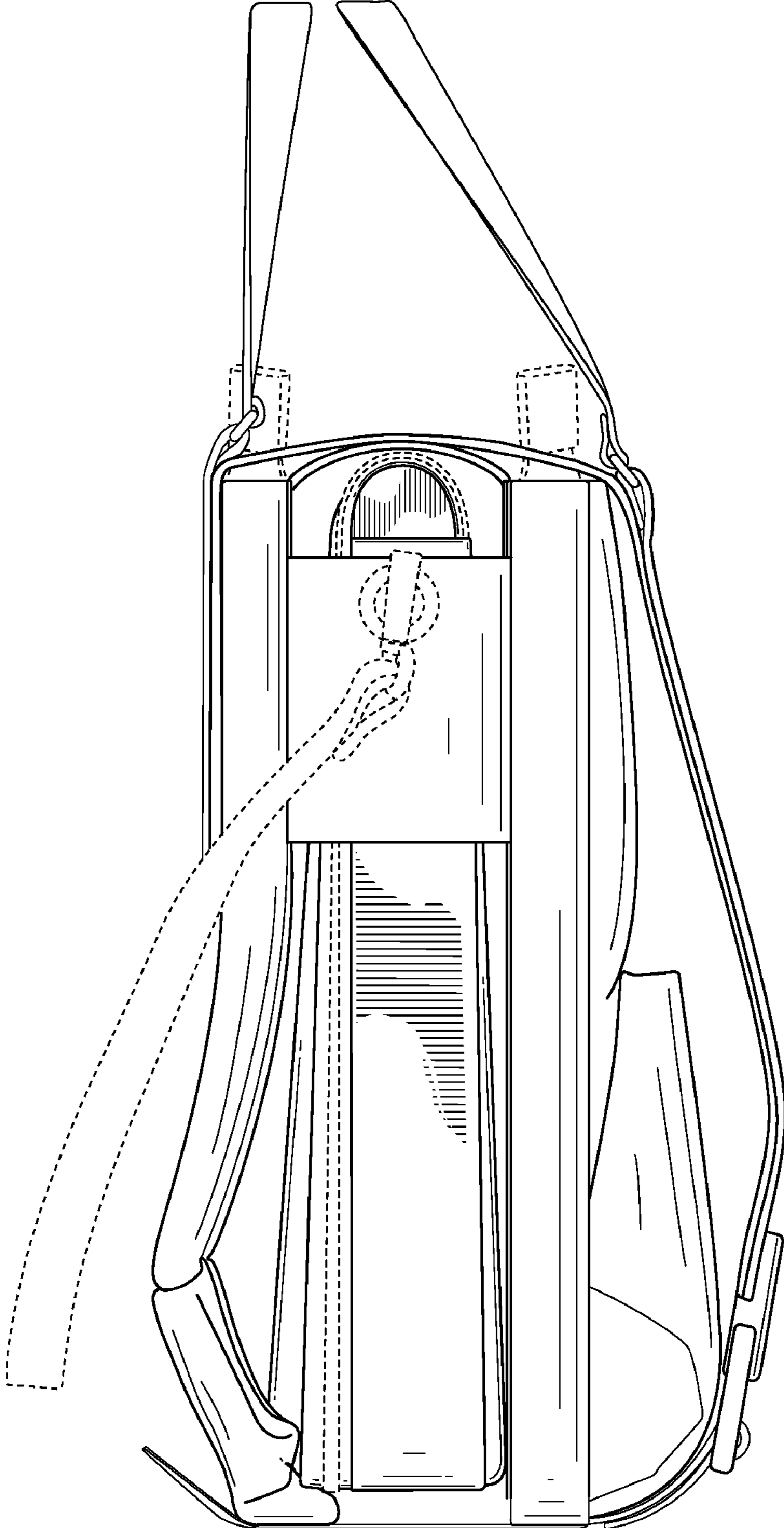


FIG. 5

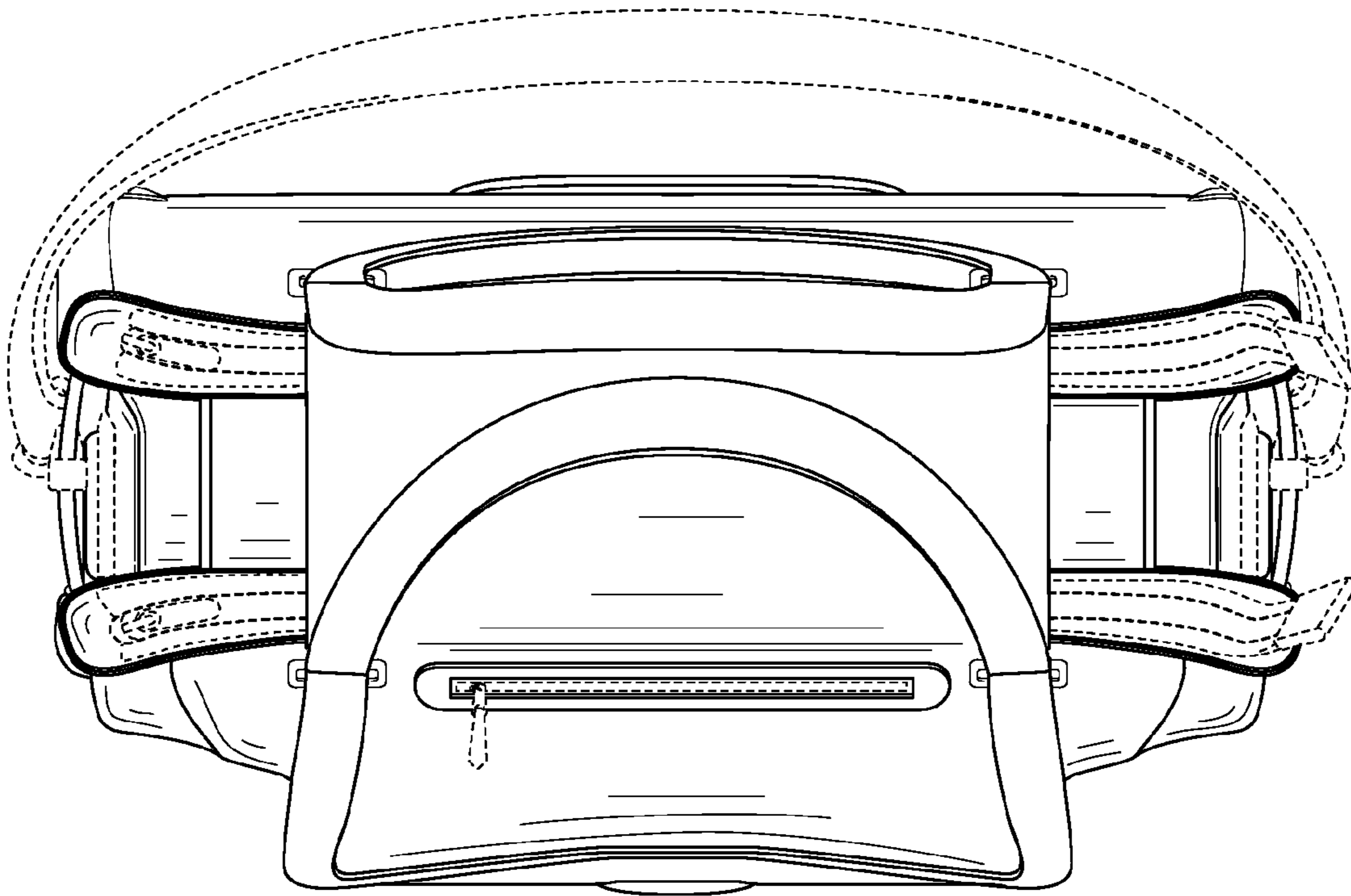


FIG. 6

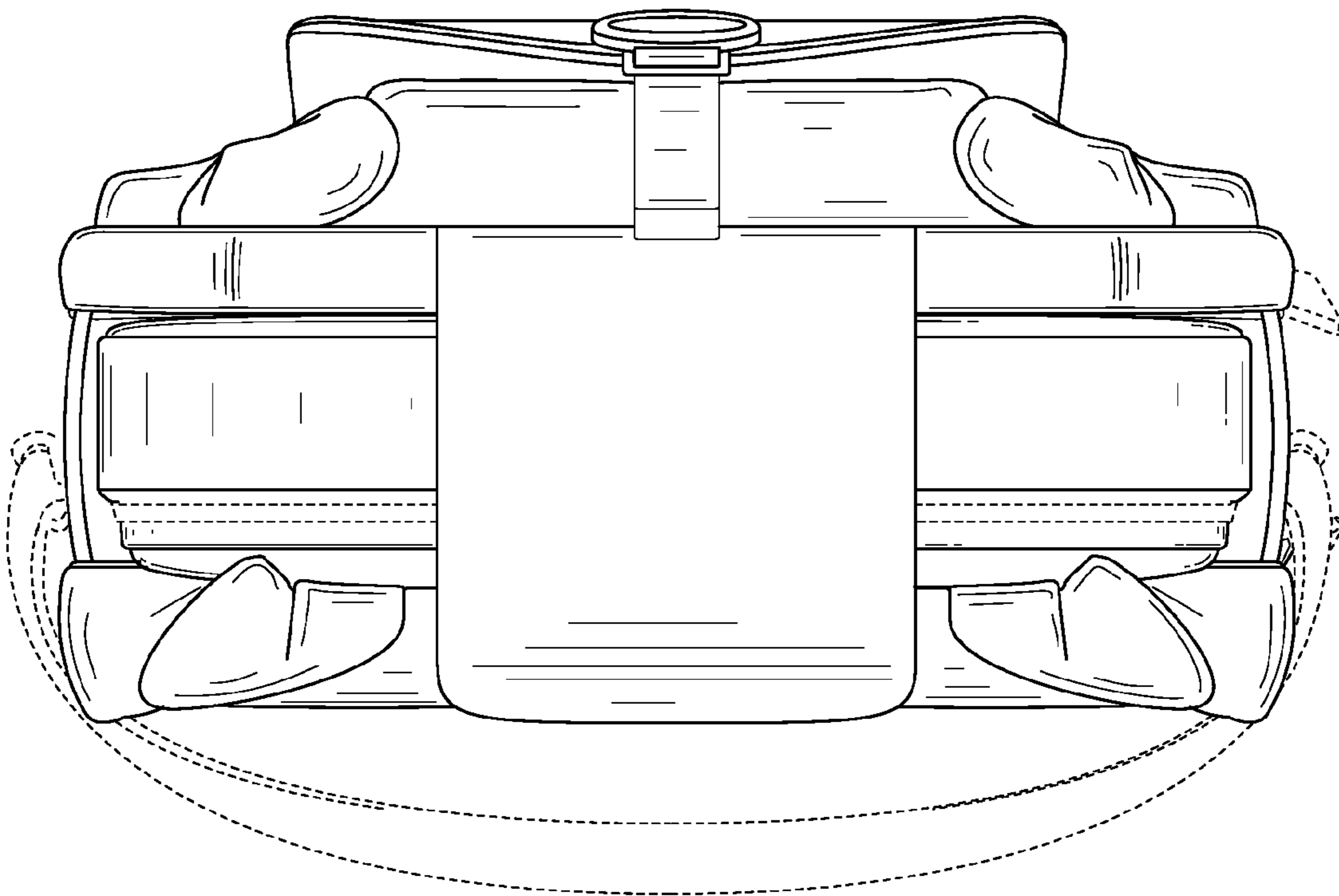


FIG. 7