



US00D579180S

(12) **United States Design Patent**
Bridges

(10) **Patent No.:** **US D579,180 S**

(45) **Date of Patent:** **** Oct. 28, 2008**

(54) **HAT COMBINED WITH A BANDANA**

(76) **Inventor:** **Brandon Bridges**, 2234 C St. SW.,
Cedar Rapids, IA (US) 52404

(**) **Term:** **14 Years**

(21) **Appl. No.:** **29/303,509**

(22) **Filed:** **Feb. 11, 2008**

(51) **LOC (8) Cl.** **02-03**

(52) **U.S. Cl.** **D2/882**

(58) **Field of Classification Search** D2/865,
D2/866, 871, 872, 873, 875, 876, 877, 879,
D2/880, 881, 882, 884, 886, 887, 889, 891,
D2/892, 893, 895; D16/900; 2/10, 171,
2/171.1, 171.5, 171.6, 171.7, 171.8, 172,
2/175.1, 175.3, 175.6, 195.1, 195.2, 195.4,
2/195.7, 195.8, 209.12, 209.13, 209.14

See application file for complete search history.

(56) **References Cited**

U.S. PATENT DOCUMENTS

D86,116 S *	2/1932	Felshin	D2/865
D135,690 S *	5/1943	Vernon	D2/876
D288,741 S *	3/1987	Holt	D2/876
D366,352 S *	1/1996	Shoemaker et al.	D2/874
D373,894 S *	9/1996	Turner	D2/881

D380,887 S *	7/1997	Durodola	D2/874
D384,789 S *	10/1997	Crabb et al.	D2/866
D396,546 S *	8/1998	Marrs	D2/881
D397,239 S *	8/1998	Marrs	D2/882
D442,354 S *	5/2001	Travis	D2/882
D453,610 S *	2/2002	Lee	D2/882
D483,927 S *	12/2003	Appleberry	D2/882
D537,239 S *	2/2007	Puett, III	D2/882

* cited by examiner

Primary Examiner—Elizabeth A Albert

Assistant Examiner—Karen E Eldridge Powers

(74) *Attorney, Agent, or Firm*—Ryan N. Carter

(57) **CLAIM**

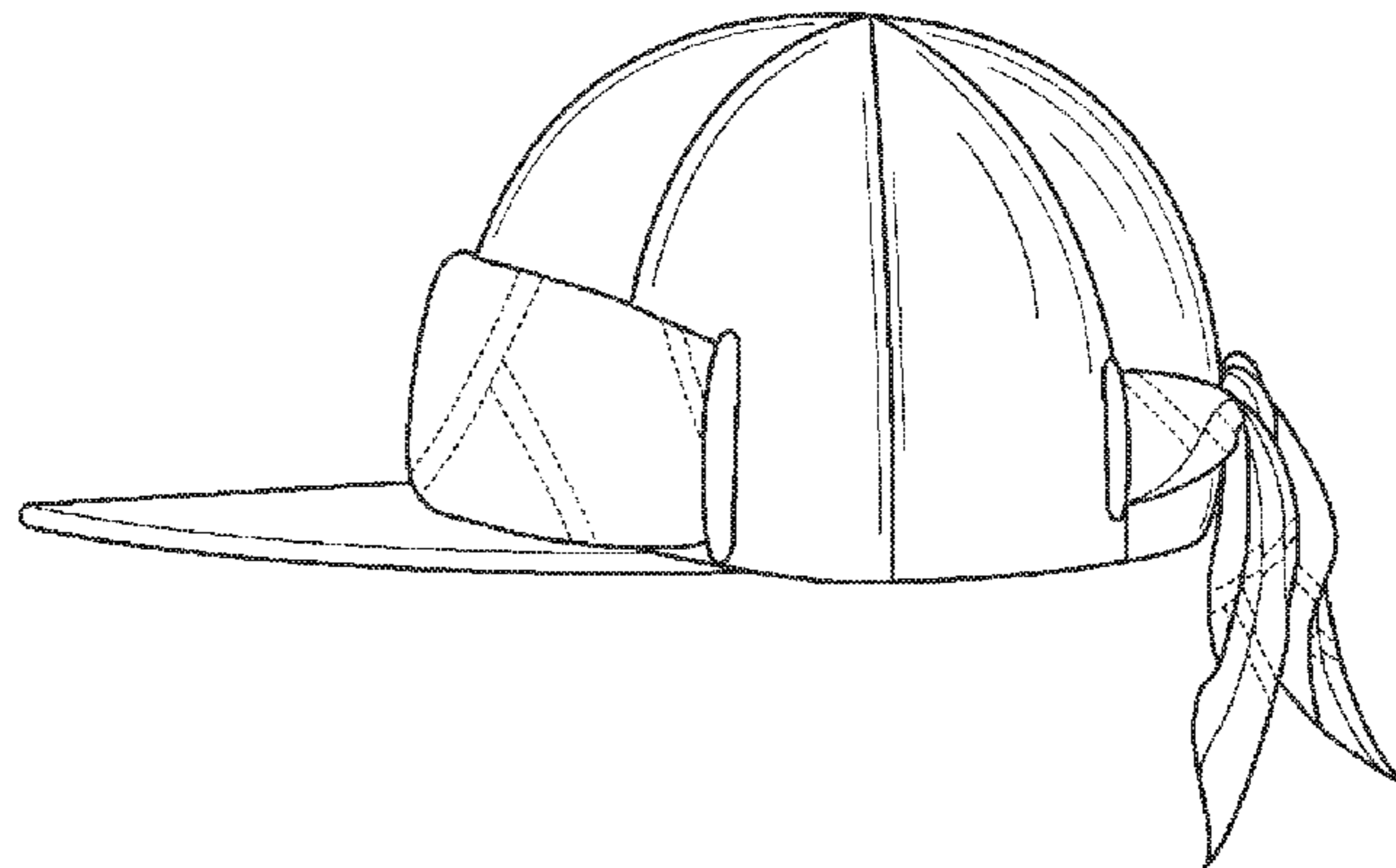
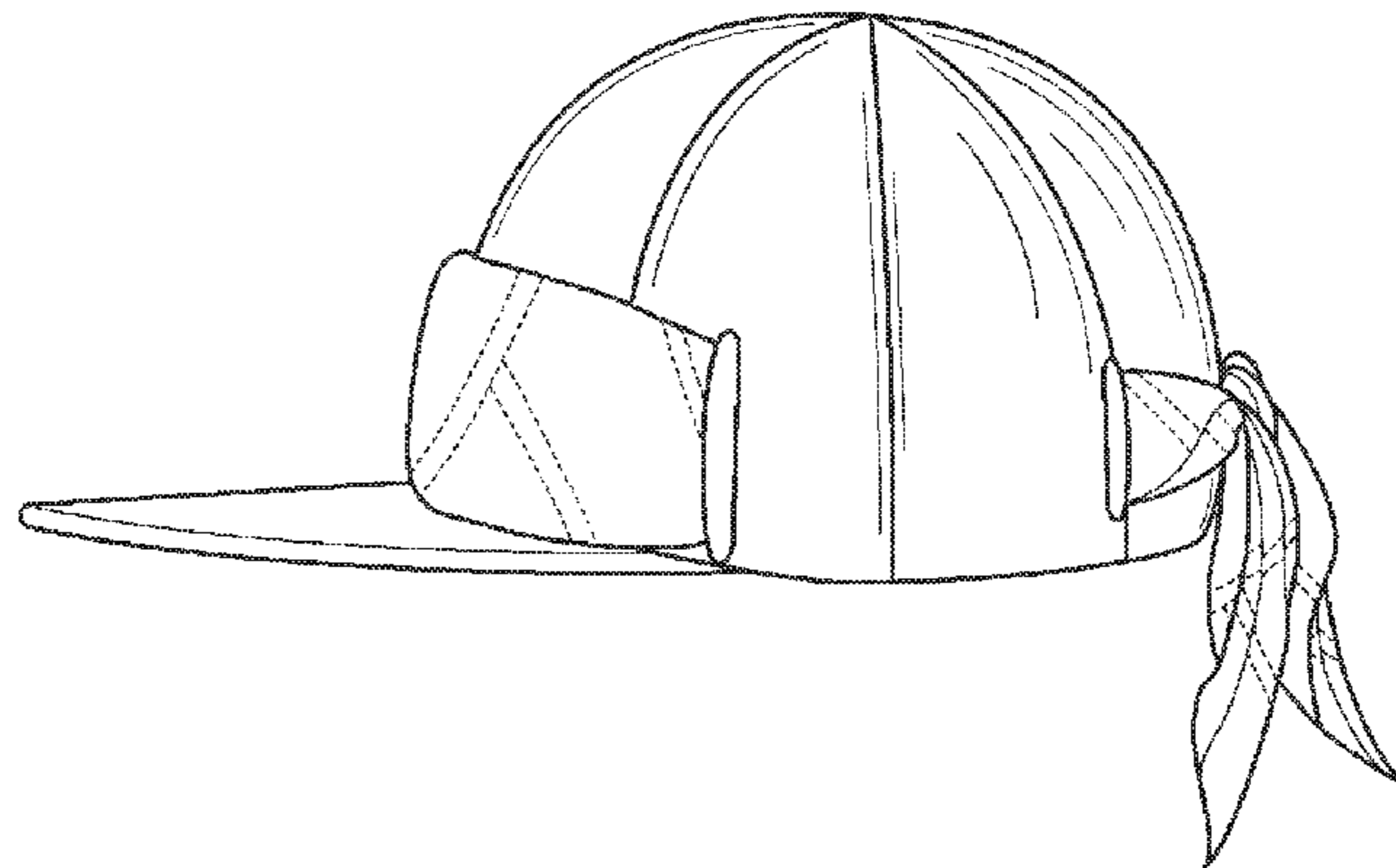
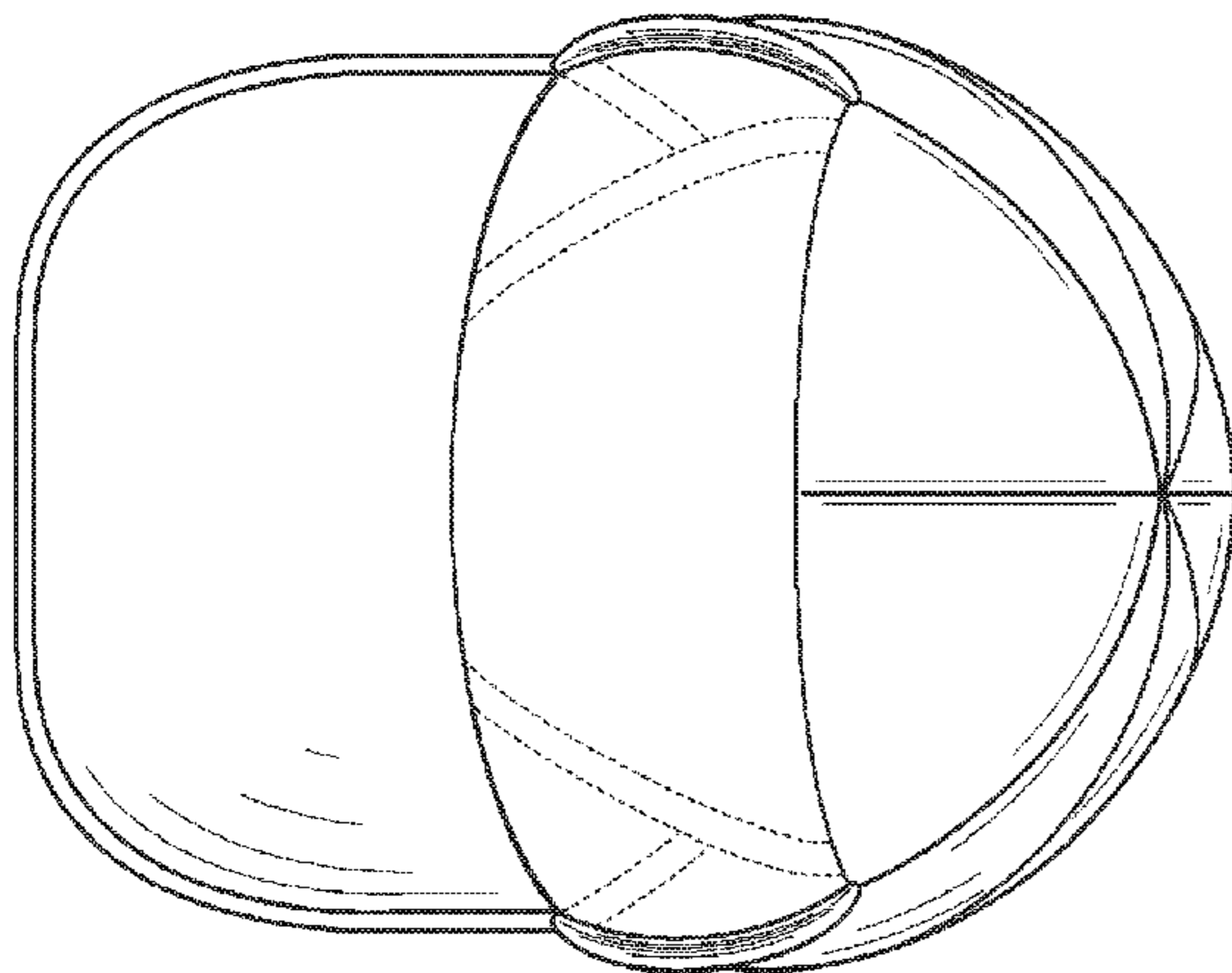
The ornamental design for a hat combined with a bandana, as shown.

DESCRIPTION

FIG. 1 is a front view of the hat combined with a bandana;
FIG. 2 is a side view of the hat combined with a bandana; and,
FIG. 3 is a rear view of the hat combined with a bandana.

The broken lines shown on the surface of the bandana in the drawings represent environmental matter and form no part of the claimed design.

1 Claim, 3 Drawing Sheets



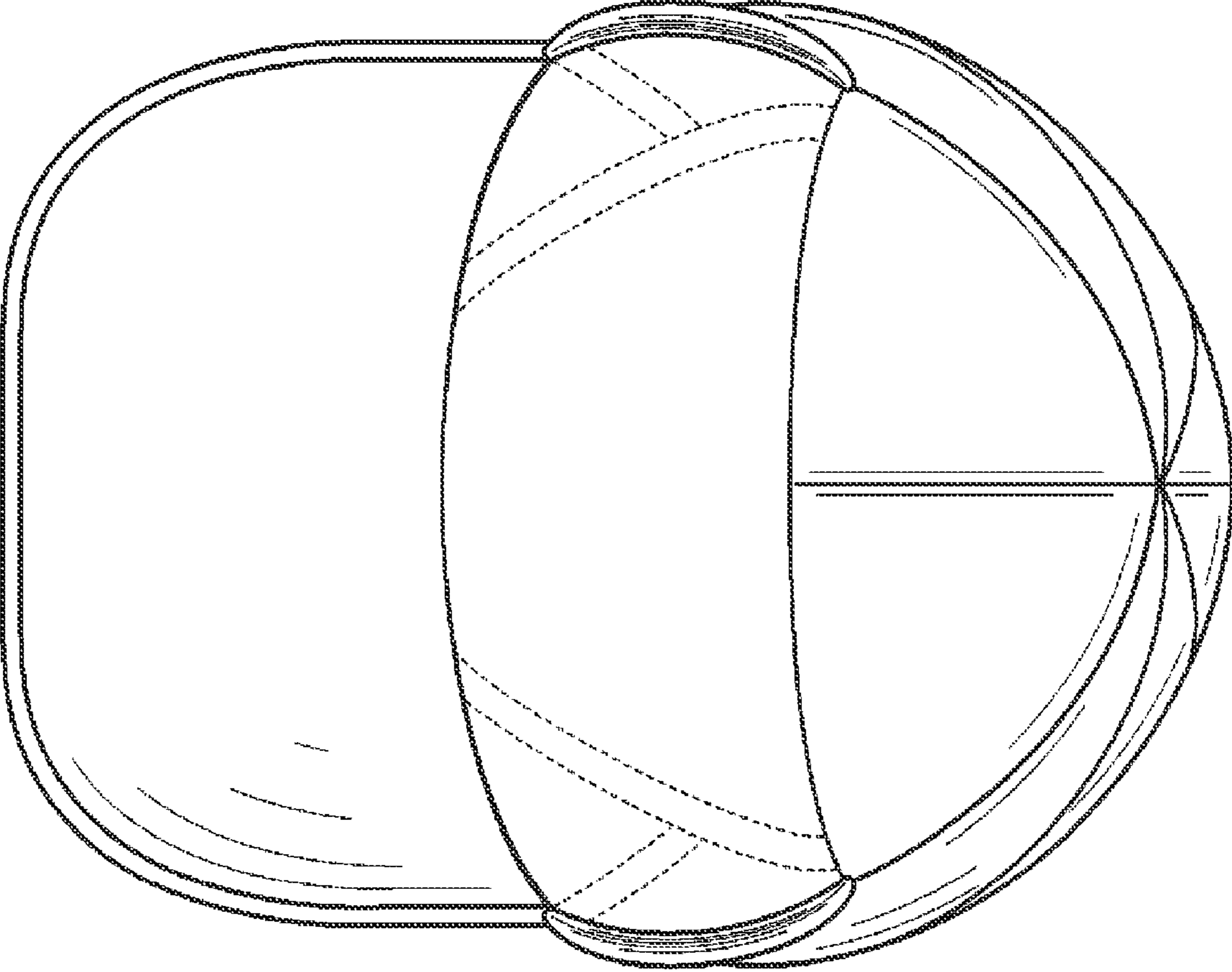


FIG. 1

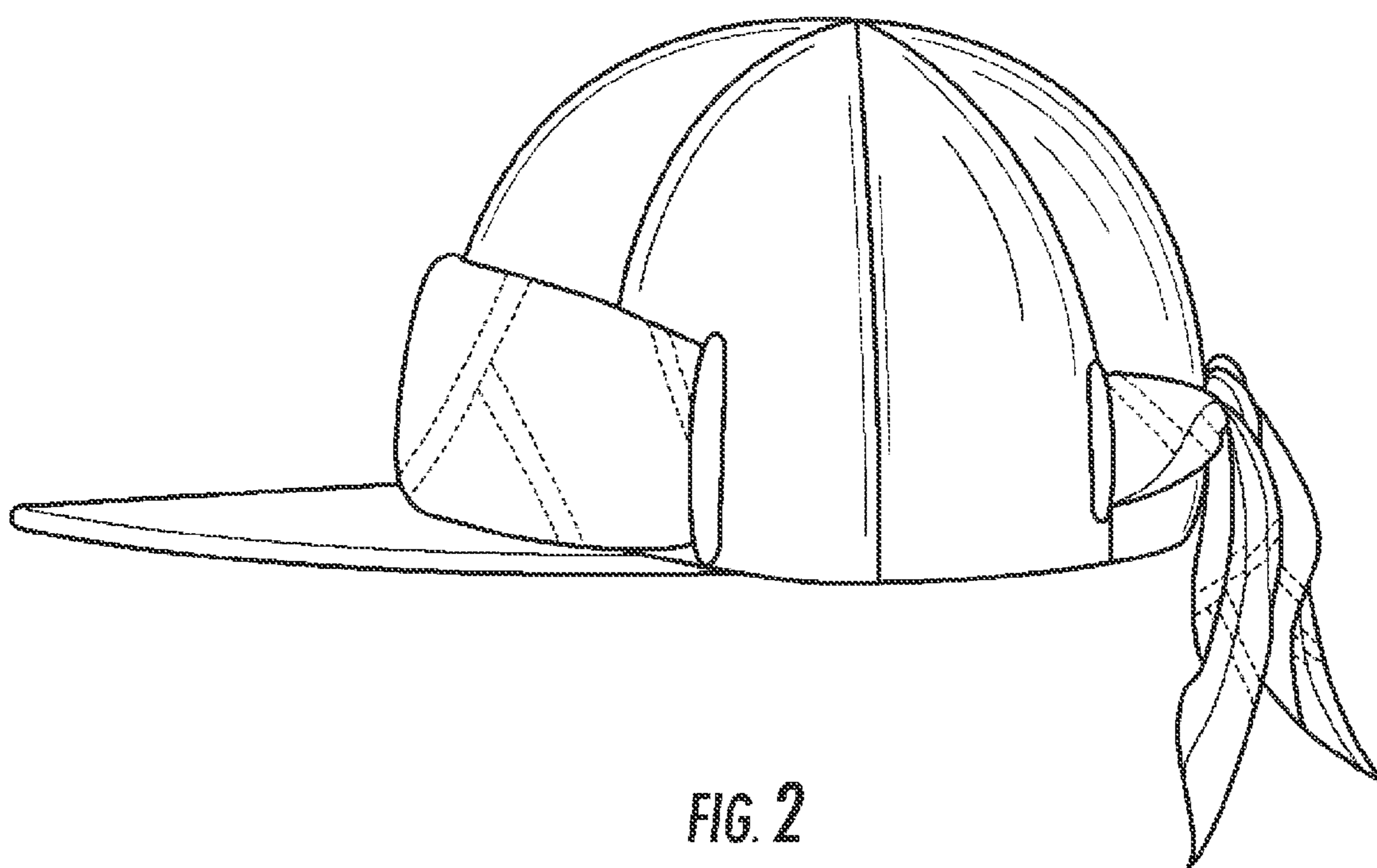


FIG. 2

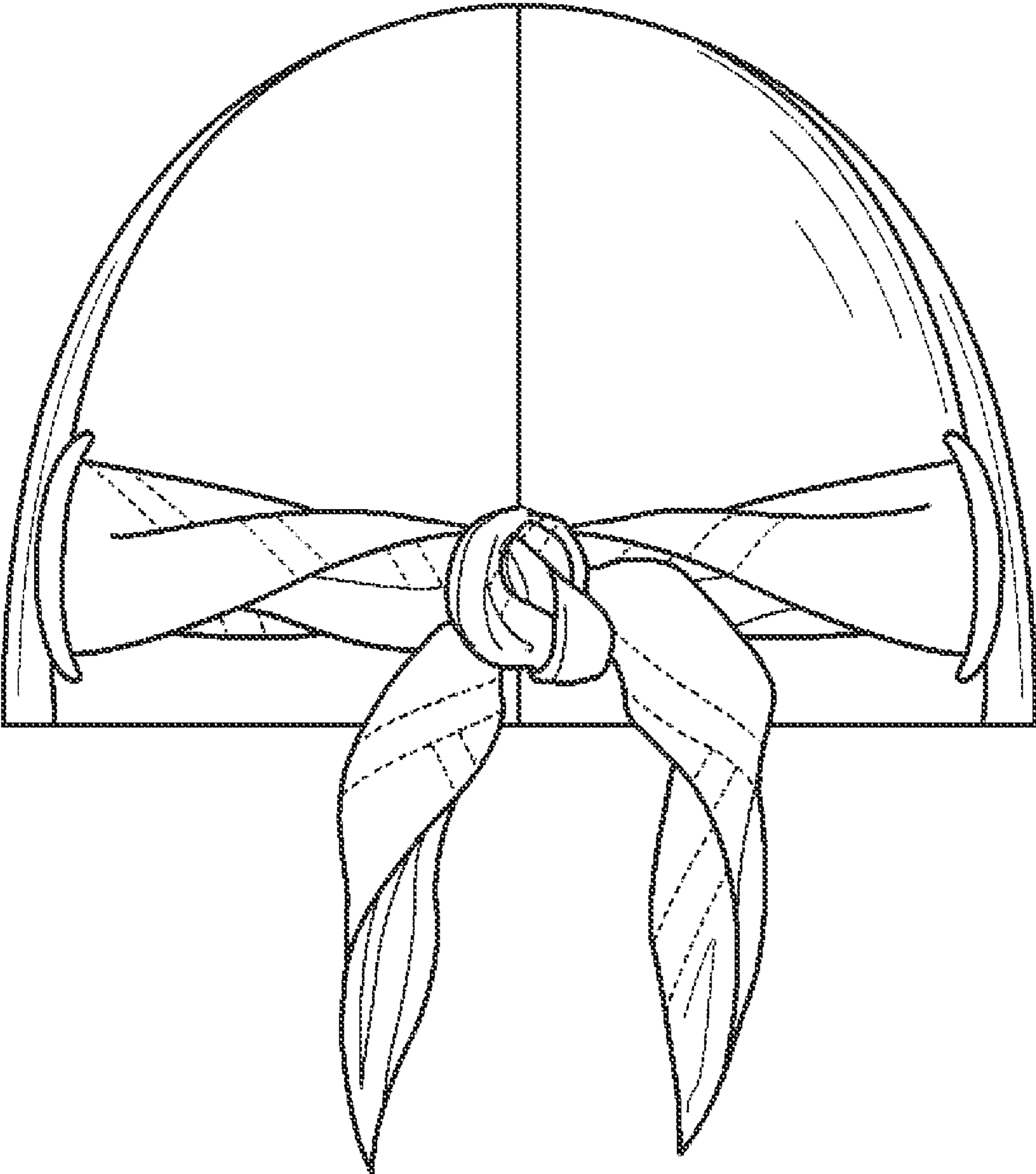


FIG. 3