



US00D579174S

(12) **United States Design Patent**
Decarlo et al.

(10) **Patent No.:** **US D579,174 S**
(45) **Date of Patent:** **** Oct. 21, 2008**

(54) **CLOSET STORAGE DEVICE**

D488,321 S 4/2004 Perella
D490,206 S 5/2004 Perella

(75) Inventors: **Anthony J. Decarlo**, Kirtland, OH (US);
Daniel V. Perella, Hudson, OH (US);
Vincent J. Thomson, Avon Lake, OH (US)

(Continued)

(73) Assignee: **Ideastream Consumer Products, LLC**,
Parma, OH (US)

Primary Examiner—Robert M. Spear
Assistant Examiner—Susan E Krakower
(74) *Attorney, Agent, or Firm*—Pillsbury Winthrop Shaw Pittman LLP

(**) Term: **14 Years**

(57) **CLAIM**

(21) Appl. No.: **29/298,902**

The ornamental design for a closet storage device, as shown and described.

(22) Filed: **Dec. 14, 2007**

DESCRIPTION

Related U.S. Application Data

(62) Division of application No. 29/278,835, filed on Apr. 11, 2007, now Pat. No. Des. 560,875.

A portion of the disclosure of this patent document contains material to which a claim for copyright is made. The copyright owner has no objection to the facsimile reproduction of the patent document or the patent disclosure, as it appears in the Patent and Trademark Office patent file or records, but reserves all other copyrights whatsoever.

(51) **LOC (8) Cl.** **06-04**

(52) **U.S. Cl.** **D99/28; D3/273**

(58) **Field of Classification Search** D99/25-43,
D99/99; D3/258, 267, 269, 272-273, 276-277,
D3/294-297, 321; D6/446, 448, 627; D19/86;
206/6.1, 286, 459.5, 778

FIG. 1 is a perspective view of a closet storage device showing our new design;

FIG. 2 is a front elevational view of the closet storage device of FIG. 1;

See application file for complete search history.

FIG. 3 is a rear elevational view of the closet storage device of FIG. 1;

(56) **References Cited**

U.S. PATENT DOCUMENTS

| | | | |
|-----------|---|---------|------------|
| 866,459 | A | 9/1907 | Gray |
| D82,596 | S | 9/1930 | Apter |
| D82,782 | S | 11/1930 | Apter |
| 1,955,809 | A | 4/1934 | Hobbs |
| 3,084,532 | A | 4/1963 | Williams |
| 3,134,484 | A | 5/1964 | Cox |
| 3,858,531 | A | 1/1975 | Rubinstein |
| 4,265,380 | A | 5/1981 | Webster |
| 4,314,733 | A | 2/1982 | Smith |
| 4,720,987 | A | 1/1988 | Moss |
| 4,854,656 | A | 8/1989 | O'Keefe |
| 6,085,671 | A | 7/2000 | Kerr |
| 6,161,686 | A | 12/2000 | Simon |

FIG. 4 is a right side elevational view of the closet storage device of FIG. 1;

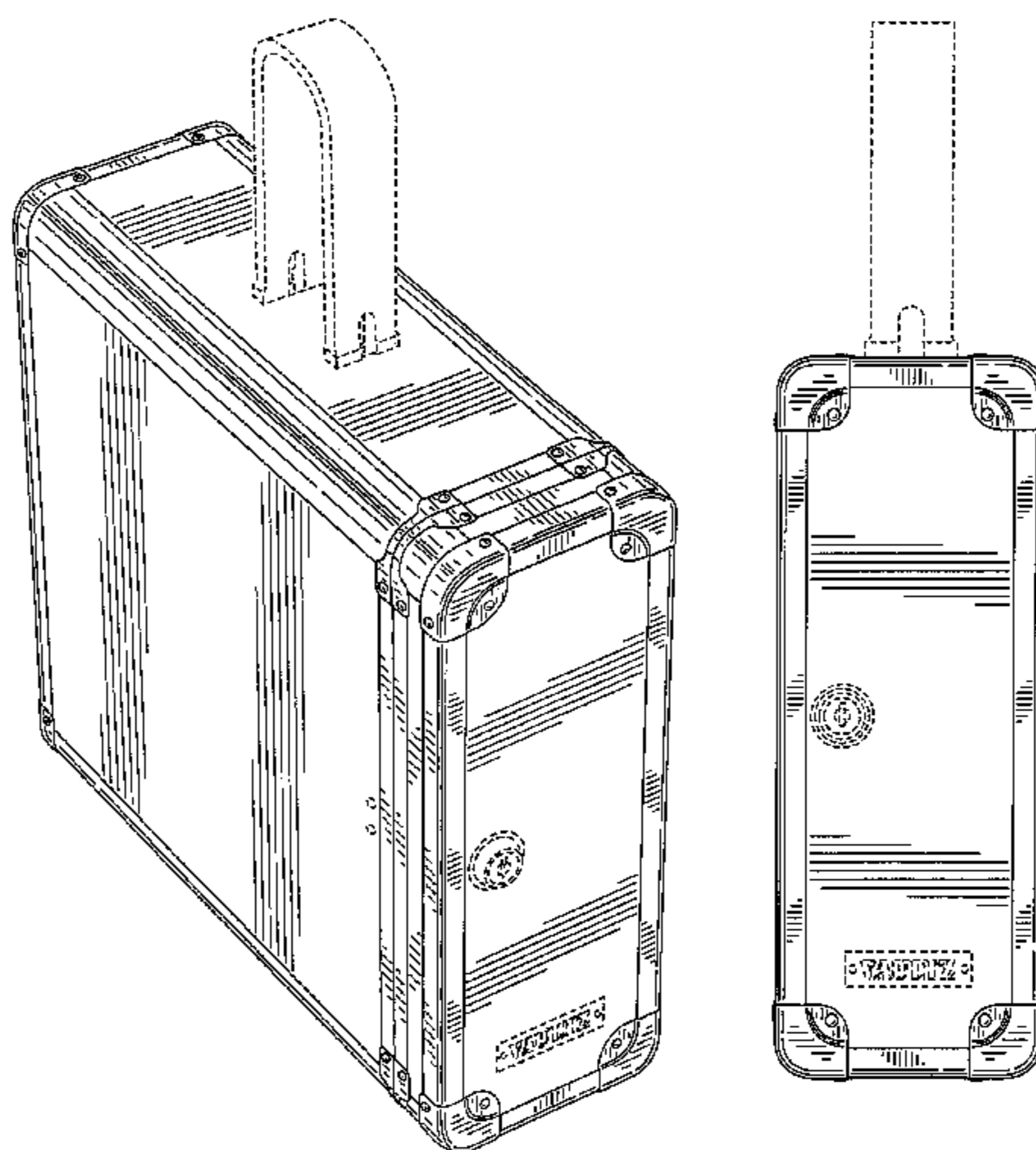
FIG. 5 is a left side elevational view of the closet storage device of FIG. 1;

FIG. 6 is a top plan view of the closet storage device of FIG. 1; and,

FIG. 7 is a bottom plan view of the closet storage device of FIG. 1.

The broken lines illustrate environmental components of the closet storage device which form no part of the claimed design.

1 Claim, 5 Drawing Sheets



US D579,174 S

Page 2

U.S. PATENT DOCUMENTS

| | | | | | |
|--------------|---------|----------------------------|-----------------|---------|----------------------------|
| D493,303 S | 7/2004 | Perella | D509,357 S | 9/2005 | Perella |
| D493,936 S | 8/2004 | Perella | D510,491 S | 10/2005 | Perella |
| 6,776,463 B2 | 8/2004 | Simon | D511,035 S | 10/2005 | Perella |
| D496,791 S | 10/2004 | Perella | D515,809 S | 2/2006 | Perella |
| D497,252 S | 10/2004 | Perella | D516,316 S | 3/2006 | Perella |
| 6,808,064 B1 | 10/2004 | Fanning | D518,675 S | 4/2006 | Perella |
| D498,049 S | 11/2004 | Perella | D521,730 S | 5/2006 | Lang |
| D499,883 S | 12/2004 | Perella | D522,746 S | 6/2006 | Perella |
| D500,922 S | 1/2005 | Perella | 7,059,469 B2 | 6/2006 | Simon |
| D501,083 S * | 1/2005 | Perella et al. D3/276 | D528,795 S | 9/2006 | Perella |
| D501,995 S | 2/2005 | Perella | D529,287 S | 10/2006 | Perella |
| D503,024 S | 3/2005 | Perella | D560,875 S * | 1/2008 | Decarlo et al. D99/28 |
| D503,503 S | 3/2005 | Perella | D561,462 S * | 2/2008 | Perella et al. D3/206 |
| D504,039 S | 4/2005 | Perella | D562,048 S * | 2/2008 | Perella et al. D6/632 |
| D504,990 S * | 5/2005 | Perella et al. D99/28 | 2004/0016670 A1 | 1/2004 | Lewand |
| D505,042 S | 5/2005 | Perella | 2006/0137949 A1 | 6/2006 | Levinson |

* cited by examiner

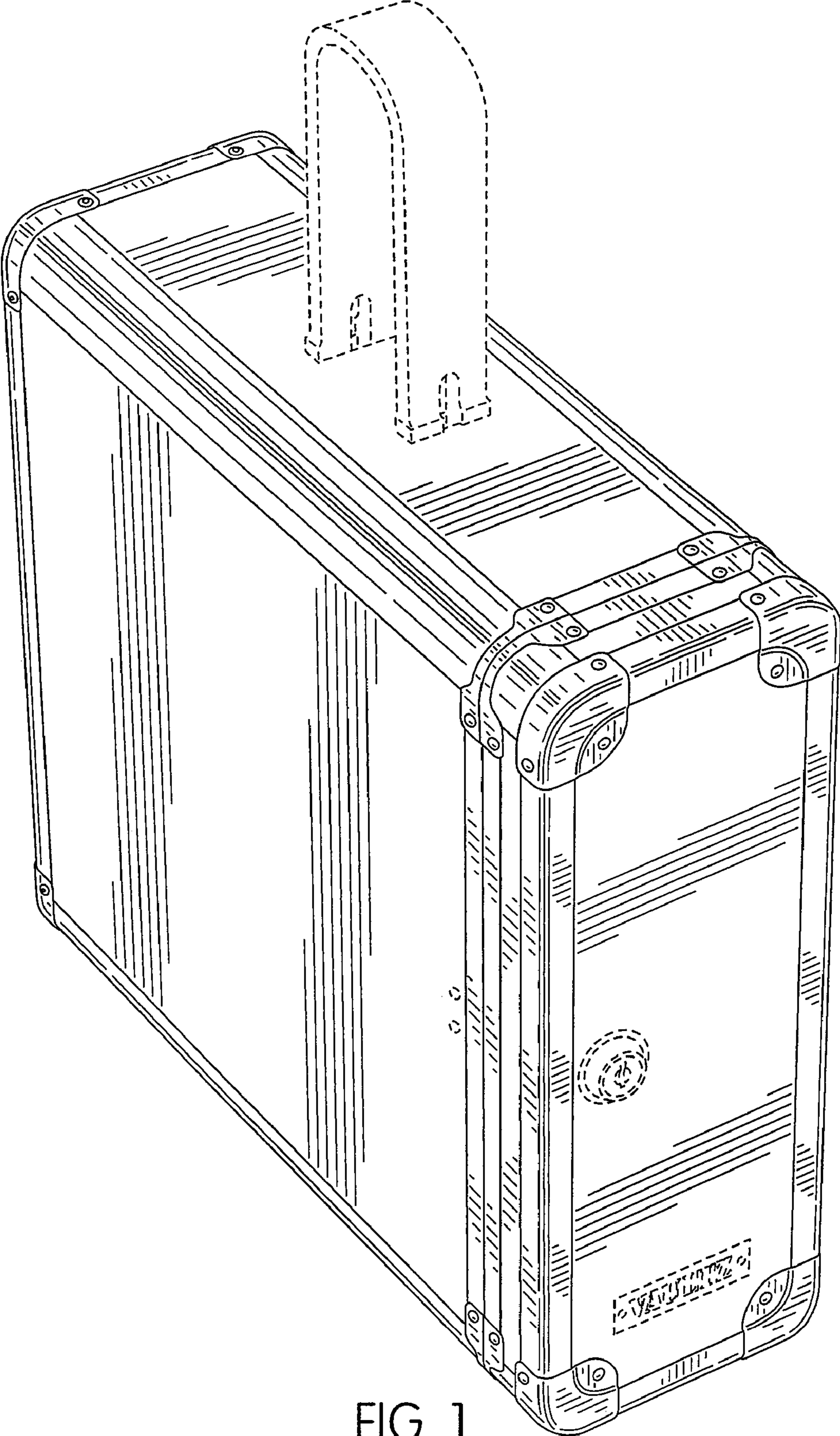


FIG. 1

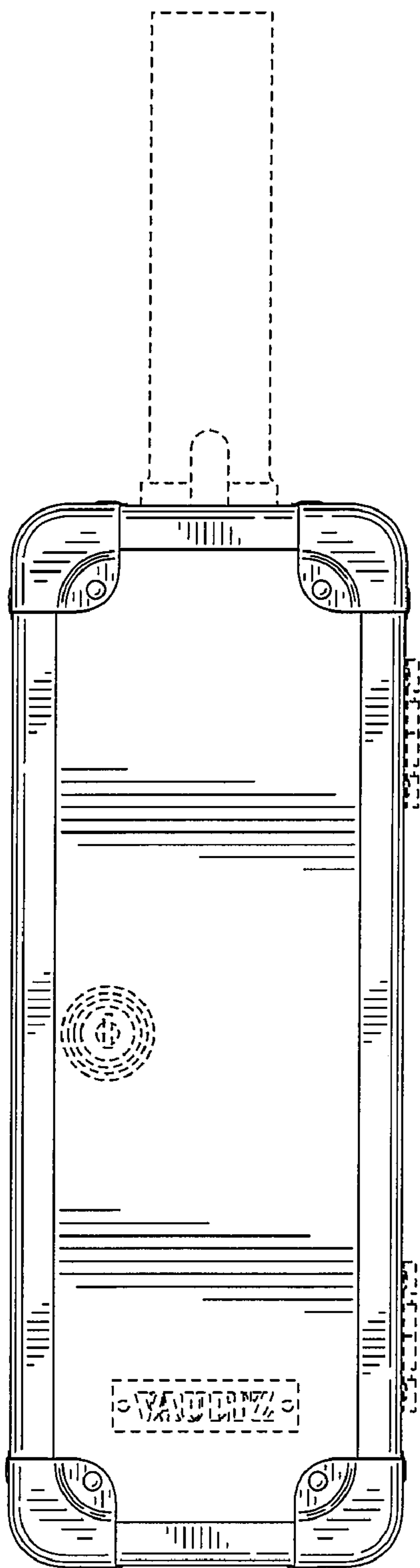


FIG. 2

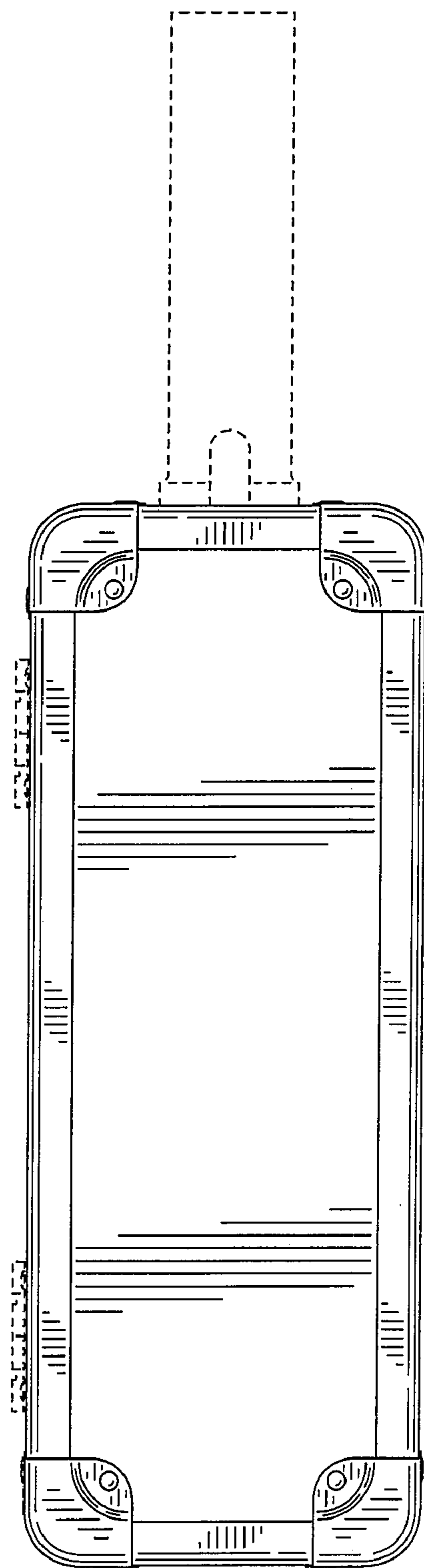


FIG. 3

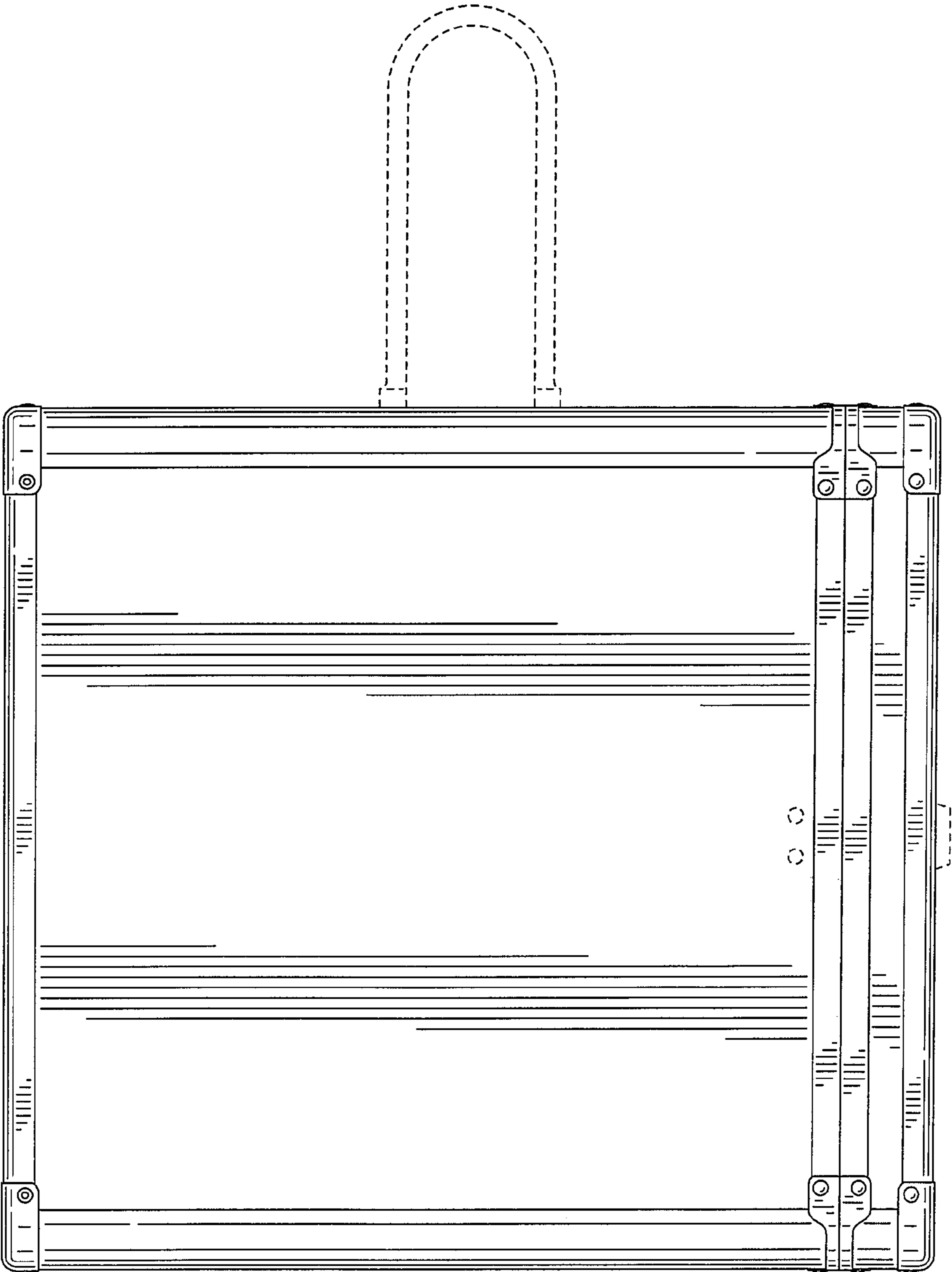


FIG. 4

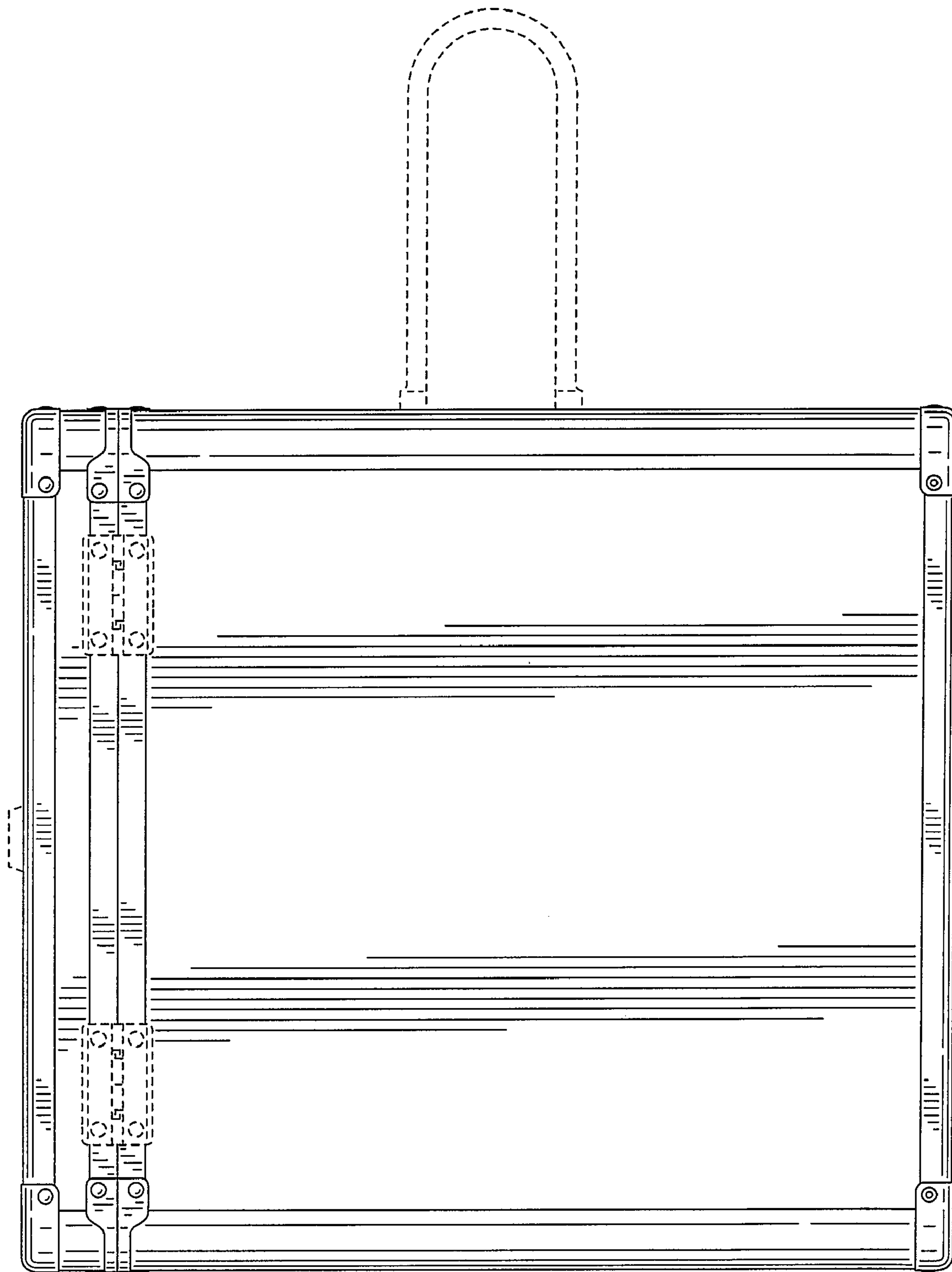


FIG. 5

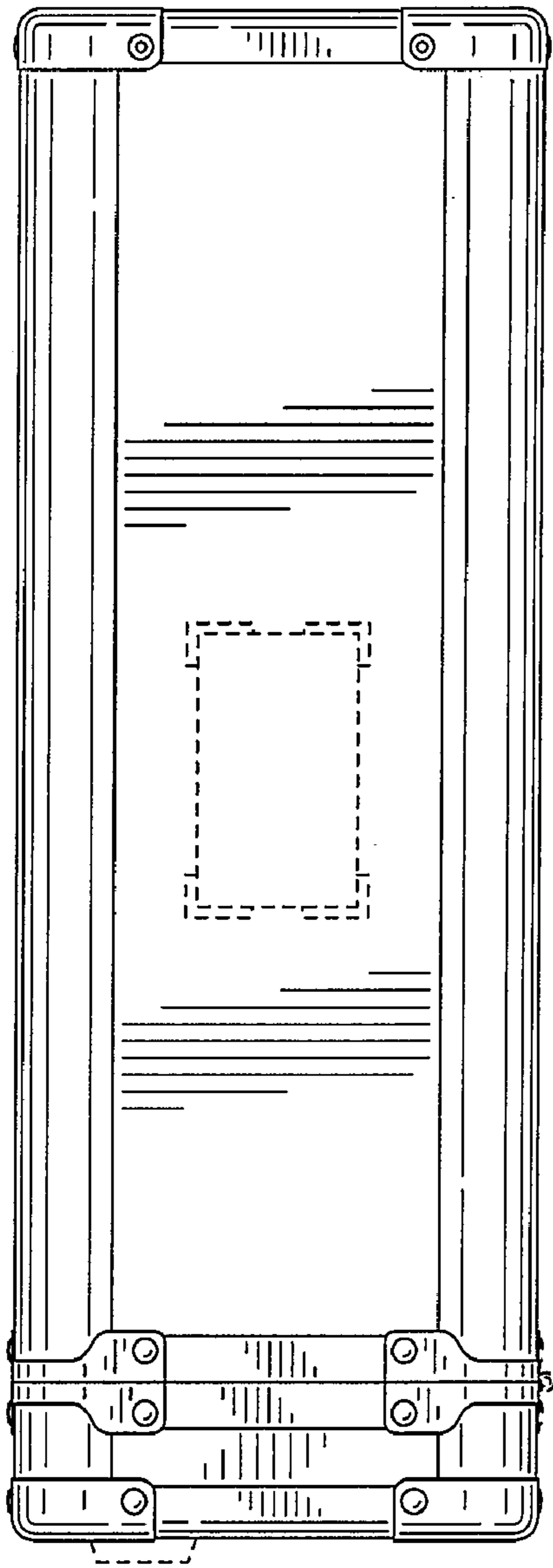


FIG. 6

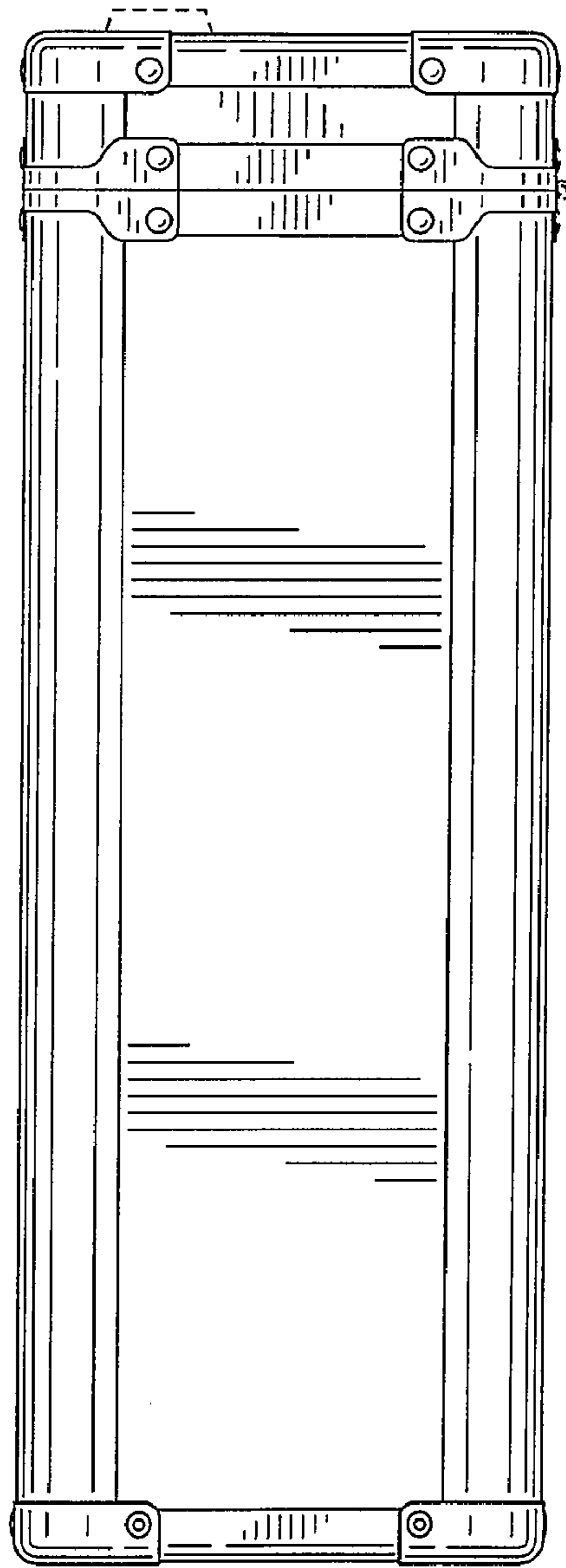


FIG. 7