



US00D579172S

(12) **United States Design Patent**
Mytych et al.

(10) **Patent No.:** **US D579,172 S**

(45) **Date of Patent:** **** Oct. 21, 2008**

(54) **URN**

D438,361 S * 2/2001 Robinson D99/5
D443,400 S * 6/2001 Robinson D99/5

(75) Inventors: **Clint Mytych**, Farmington Hills, MI (US); **Donna Shatter**, Farmington Hills, MI (US); **W. Nicholas Popravsky**, Novi, MI (US); **Erik Holmen**, Bradenton, FL (US)

* cited by examiner

Primary Examiner—Louis S Zarfes

Assistant Examiner—Michael A Pratt

(73) Assignee: **Eternal Image, Inc.**, Farmington Hills, MI (US)

(74) *Attorney, Agent, or Firm*—Gifford, Krass, Sprinkle, Anderson & Citkowski, PC

(**) Term: **14 Years**

(57) **CLAIM**

(21) Appl. No.: **29/296,795**

The ornamental design for an urn, as shown and described.

(22) Filed: **Oct. 29, 2007**

(51) **LOC (8) Cl.** **99-00**

DESCRIPTION

(52) **U.S. Cl.** **D99/5**

(58) **Field of Classification Search** D99/1-24;
27/2, 14, 27, 30; 206/45.25, 423; 248/315;
47/41.11, 41.01, 39; D11/117, 120, 121,
D11/122, 139, 143, 144, 151; D20/42, 43,
D20/17, 18, 19, 20, 21, 22, 23, 24, 25, 26,
D20/27

FIG. 1 is a perspective view of an urn according to the present invention;

FIG. 2 is a front-elevational view of the urn of FIG. 1;

FIG. 3 is a side-elevational view of the urn of FIGS. 1 and 2, the other side view being a mirror image thereof;

FIG. 4 is a rear elevational view of the urn of FIGS. 1-3;

FIG. 5 is a top plan view of the urn of FIGS. 1-4; and,

FIG. 6 is a bottom view of the urn of FIGS. 1-5.

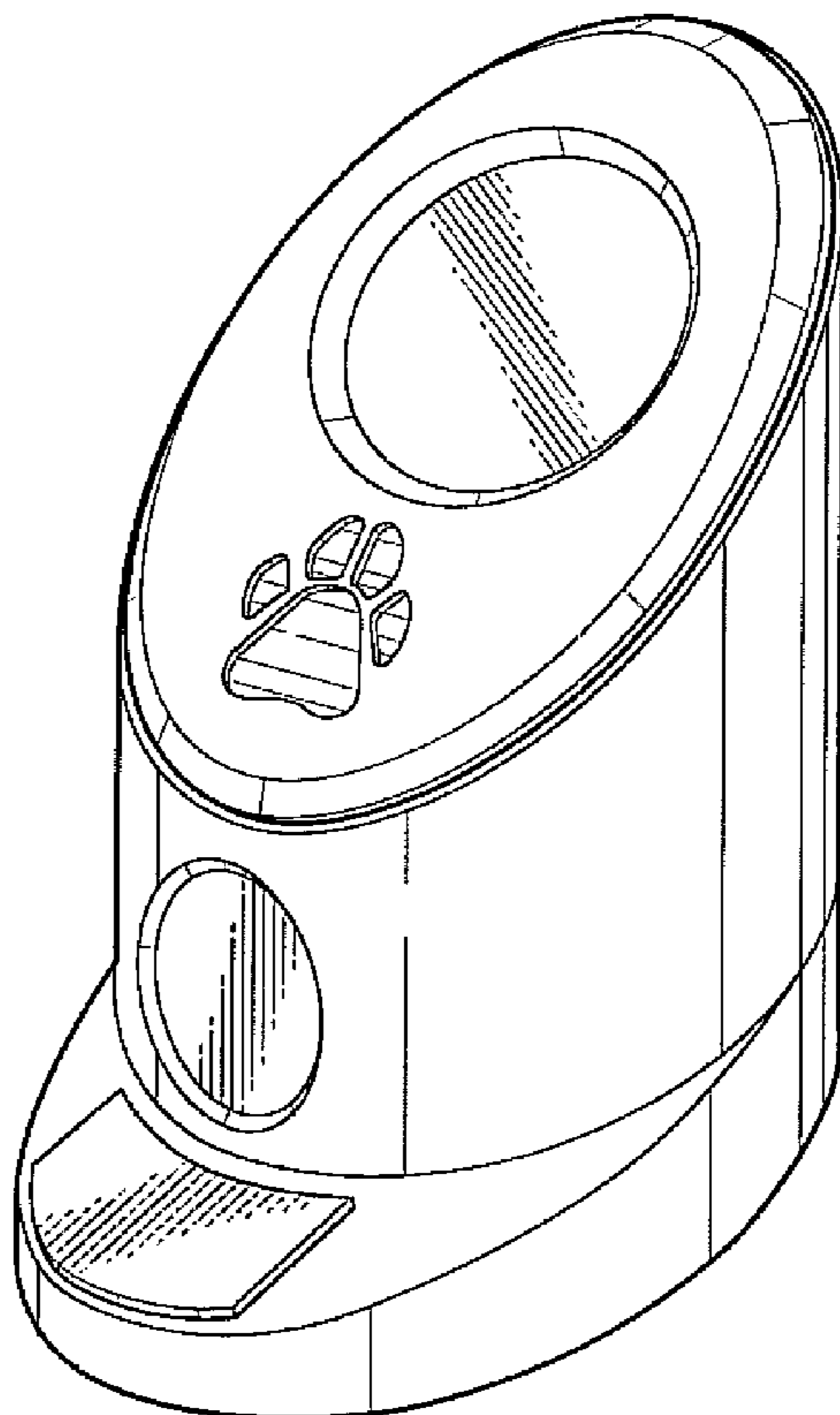
See application file for complete search history.

(56) **References Cited**

U.S. PATENT DOCUMENTS

3,768,685 A * 10/1973 Eckman 47/41.11

1 Claim, 3 Drawing Sheets



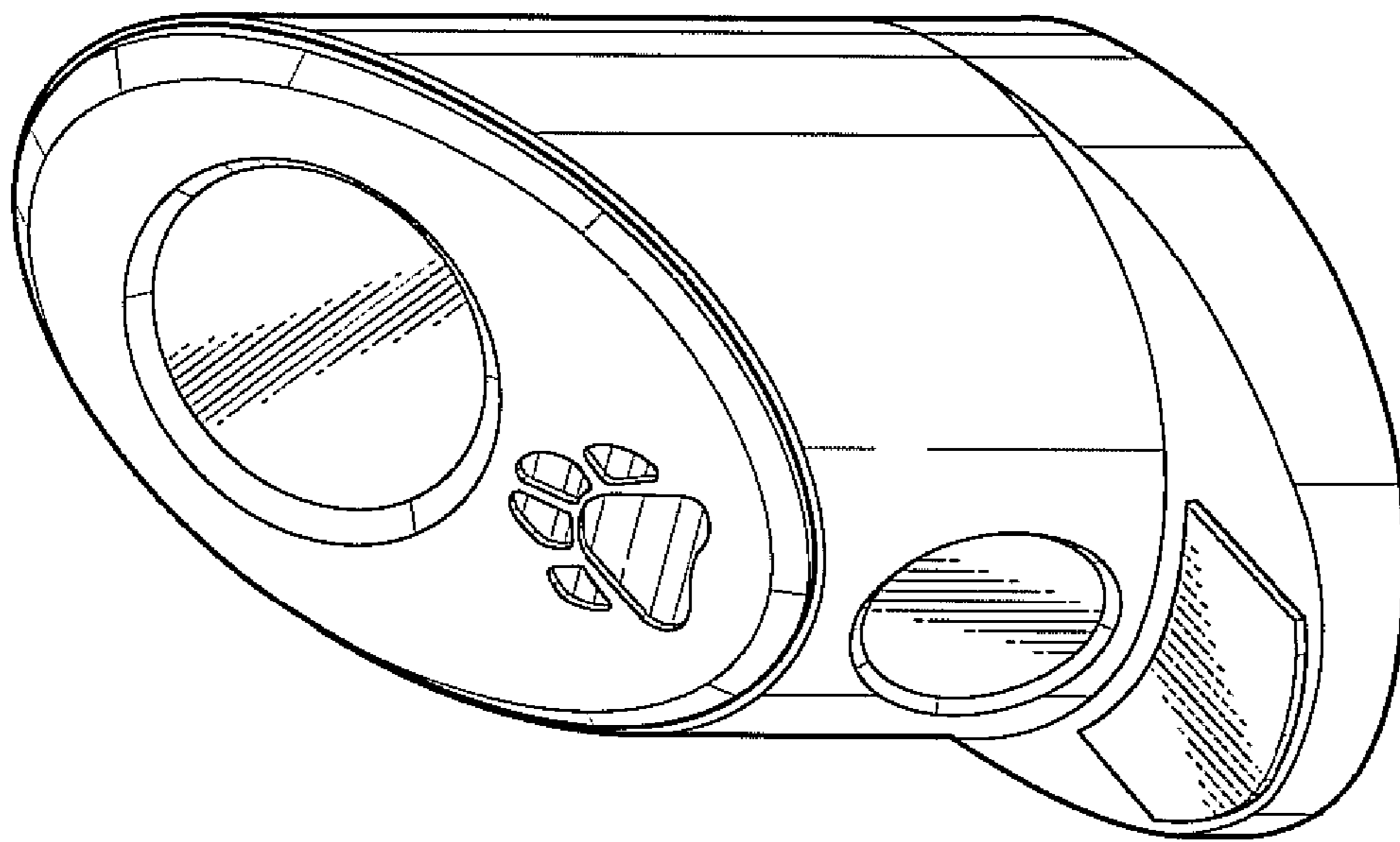


FIG - 1

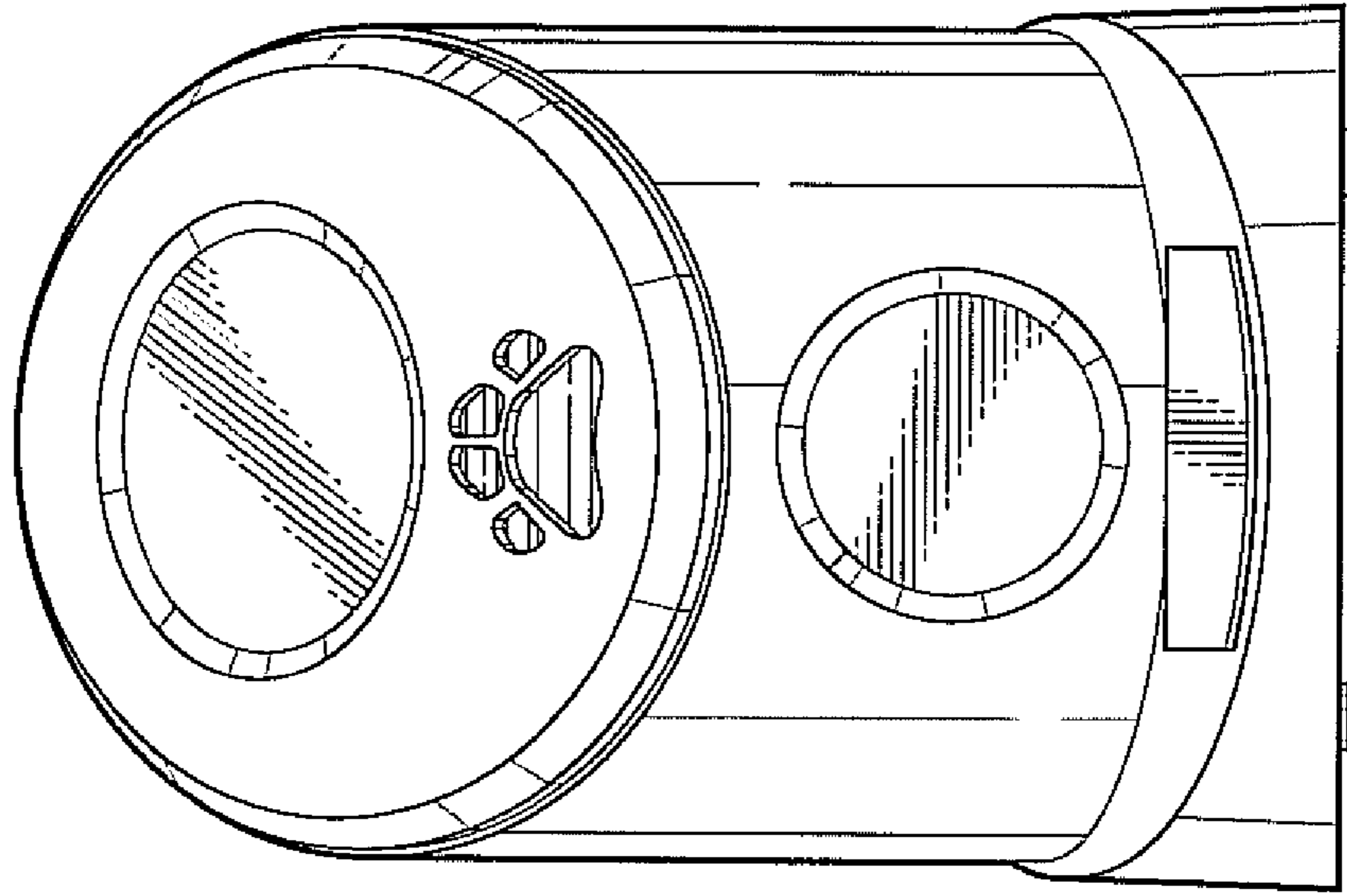


FIG - 2

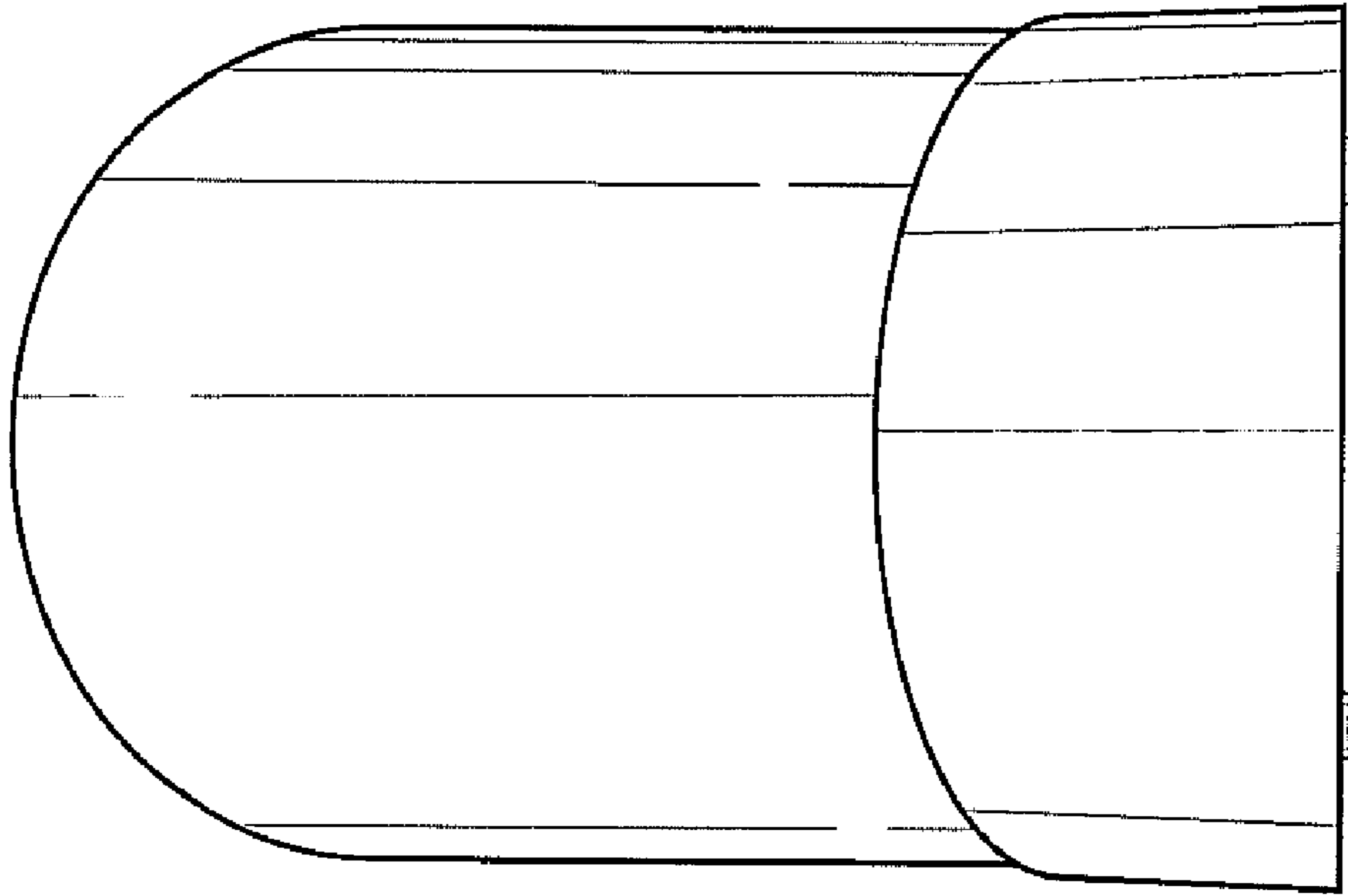


FIG - 4

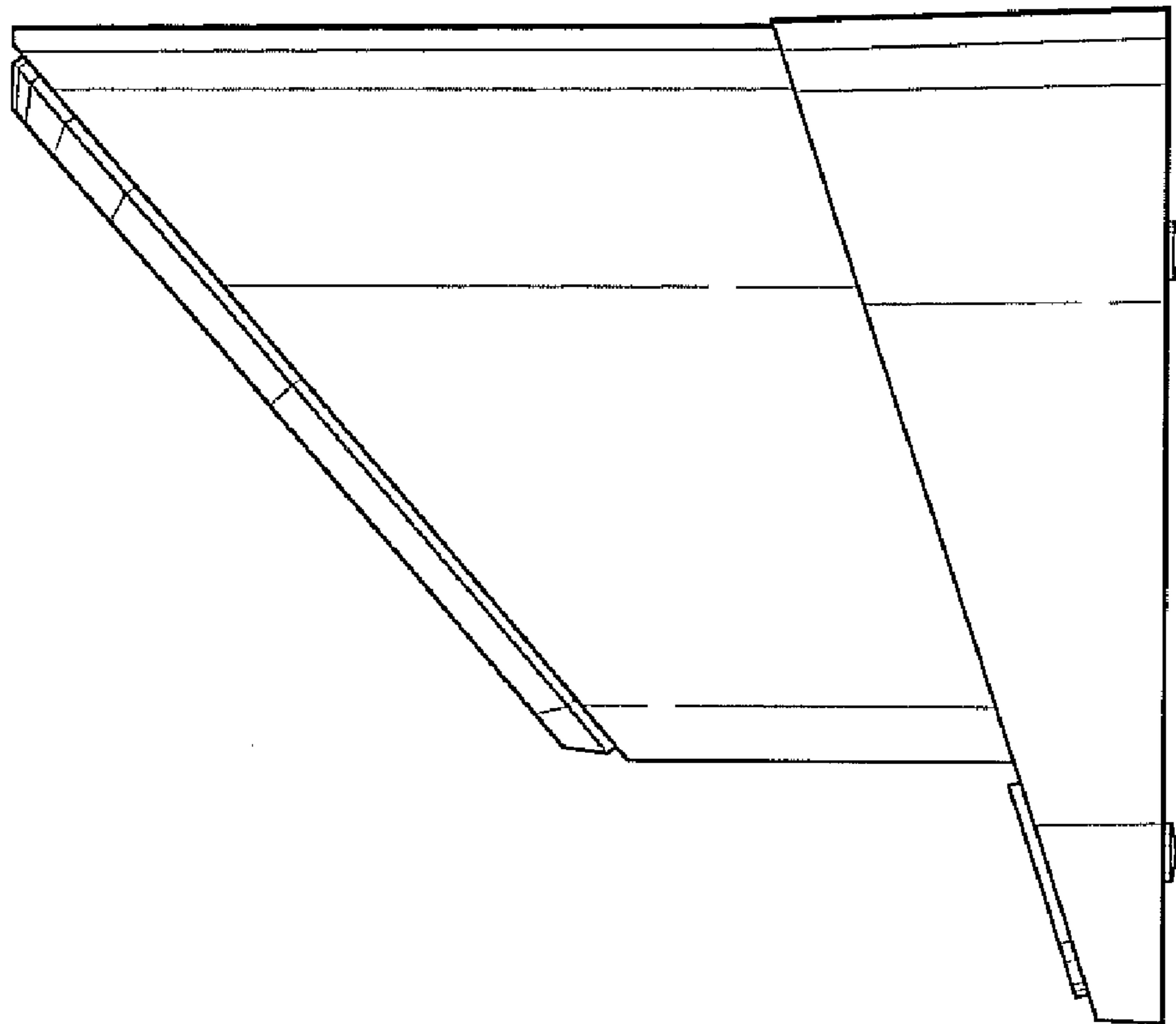


FIG - 3

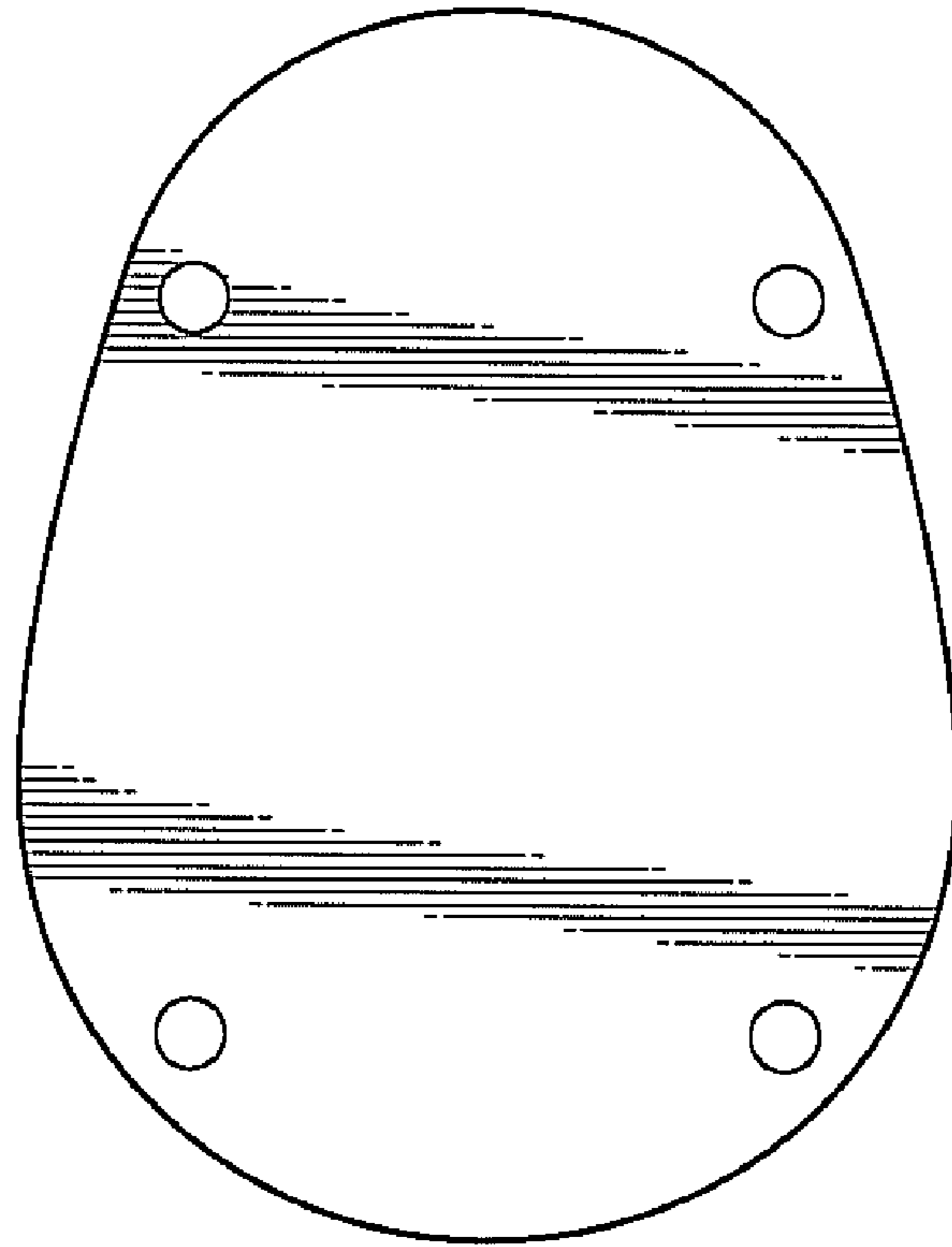


FIG - 6

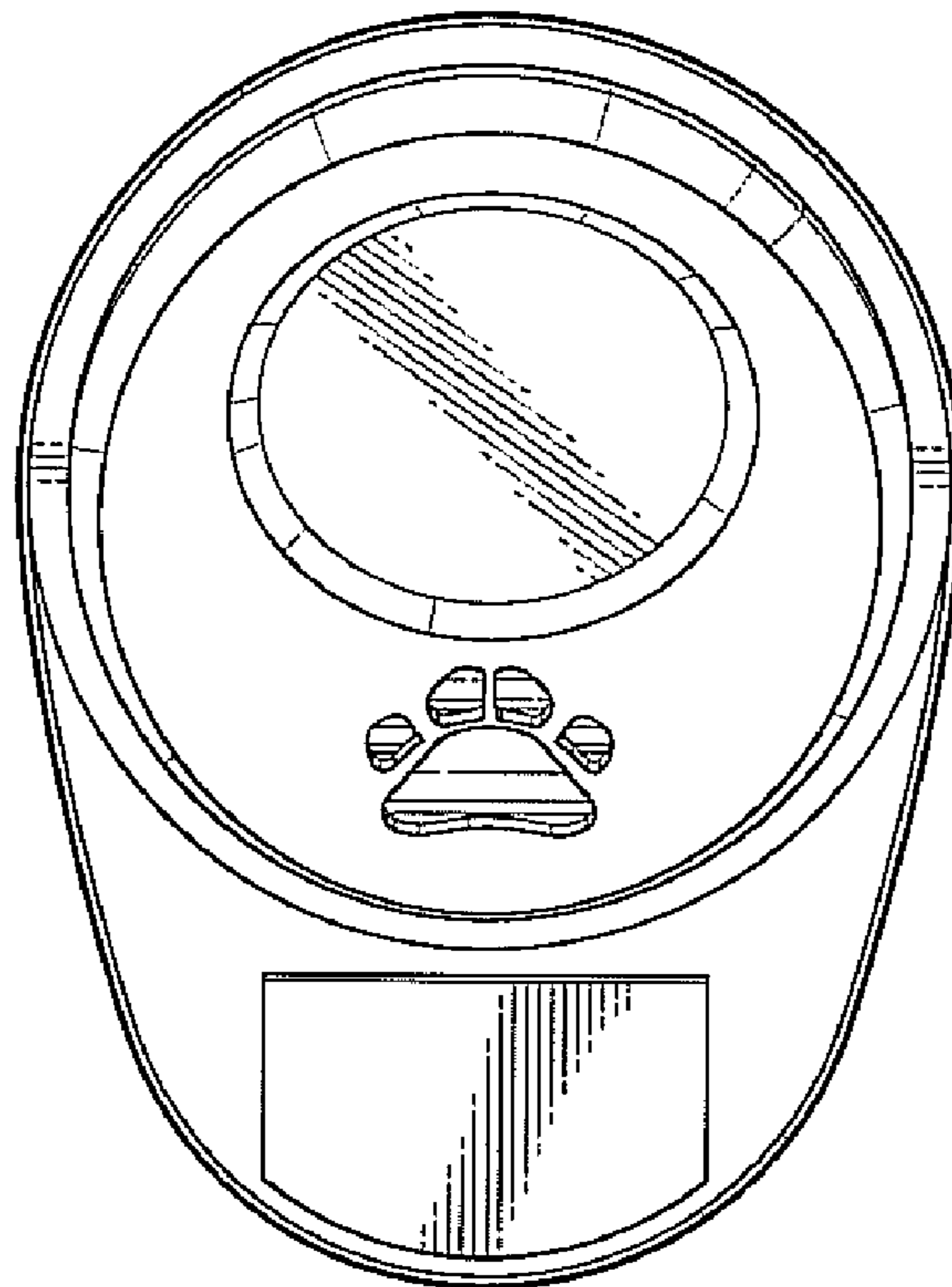


FIG - 5