



US00D579170S

(12) **United States Design Patent**
Mori et al.

(10) **Patent No.:** **US D579,170 S**
(45) **Date of Patent:** **** Oct. 21, 2008**

(54) **FORKLIFT TRUCK**

(75) Inventors: **Hiroki Mori**, Kariya (JP); **Tomomichi Miura**, Kariya (JP); **Masanori Shinoda**, Kariya (JP); **Takahito Miyake**, Kariya (JP)

(73) Assignee: **Kabushiki Kaisha Toyota Jidoshokki**, Kariya-shi (JP)

(**) Term: **14 Years**

(21) Appl. No.: **29/317,643**

(22) Filed: **May 2, 2008**

Related U.S. Application Data

(62) Division of application No. 29/266,915, filed on Sep. 29, 2006.

(30) **Foreign Application Priority Data**

Mar. 31, 2006	(JP)	2006-008556
Mar. 31, 2006	(JP)	2006-008557
Mar. 31, 2006	(JP)	2006-008558
Mar. 31, 2006	(JP)	2006-008559
Mar. 31, 2006	(JP)	2006-008560

(51) **LOC (8) Cl.** **12-05**

(52) **U.S. Cl.** **D34/35**

(58) **Field of Classification Search** D34/34,
D34/35, 37; 180/89.12, 89.13, 89.17; 187/222,
187/237, 238, 414

See application file for complete search history.

(56) **References Cited**

U.S. PATENT DOCUMENTS

D412,385 S	7/1999	Murakami et al.
D427,409 S	6/2000	Sato et al.
D444,607 S	7/2001	Yurushi et al.
D448,136 S	9/2001	Yurushi et al.
D452,598 S	12/2001	Sato
D464,784 S	10/2002	Sato

D466,669 S	12/2002	Kraimer et al.
D468,885 S	1/2003	Salin et al.
D471,340 S	3/2003	Shibata et al.
D471,689 S	3/2003	Shibata et al.
D492,831 S	7/2004	Kouyama
D518,268 S	3/2006	Stark
D526,460 S	8/2006	Goto et al.
D551,423 S	9/2007	Kodama et al.
D555,872 S	11/2007	Brown
D557,474 S	12/2007	Kouyama et al.

FOREIGN PATENT DOCUMENTS

JP 1053353-2 A 11/1999

OTHER PUBLICATIONS

Japanese Office Action dated Jan. 5, 2007, Application No. 2006-008556 (without English translation).

Primary Examiner—Cynthia E Ramirez

(74) *Attorney, Agent, or Firm*—Morgan & Finnegan, LLP

(57) **CLAIM**

The ornamental design for a forklift truck, as shown and described.

DESCRIPTION

FIG. 1 is a front perspective view of a forklift truck showing our new design;

FIG. 2 is a rear perspective view thereof;

FIG. 3 is a front view thereof;

FIG. 4 is a rear view thereof;

FIG. 5 is a top plan view thereof;

FIG. 6 is a right side elevational view thereof; and,

FIG. 7 is a left side elevational view thereof.

The bottom plan view is omitted since this article is a heavy item. The broken lines are shown for illustrative purposes only and form no part of the claimed design. The dot-dashed lines denote the boundary of the claim, and form no part of the claimed design.

1 Claim, 6 Drawing Sheets

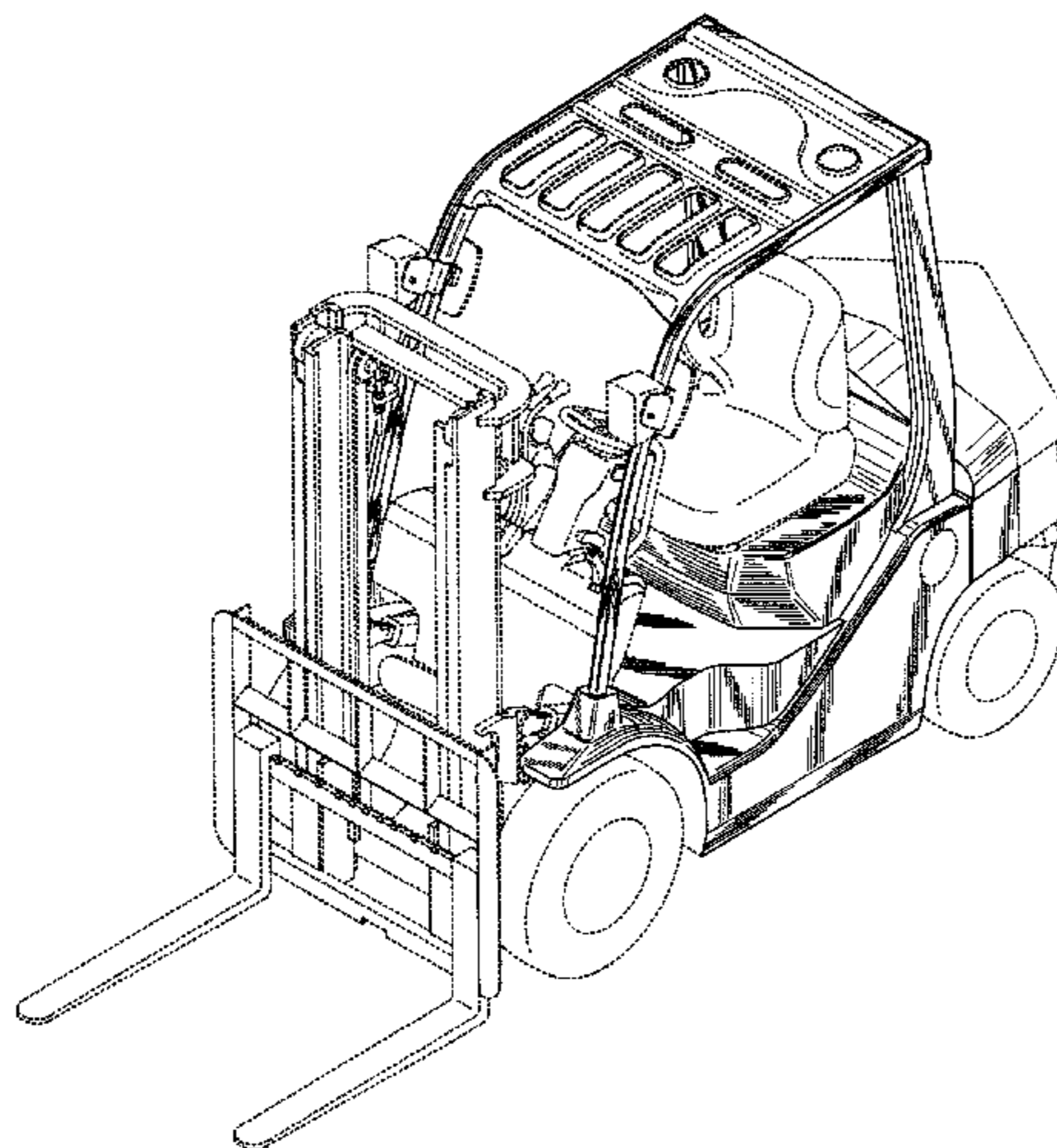


FIG. 1

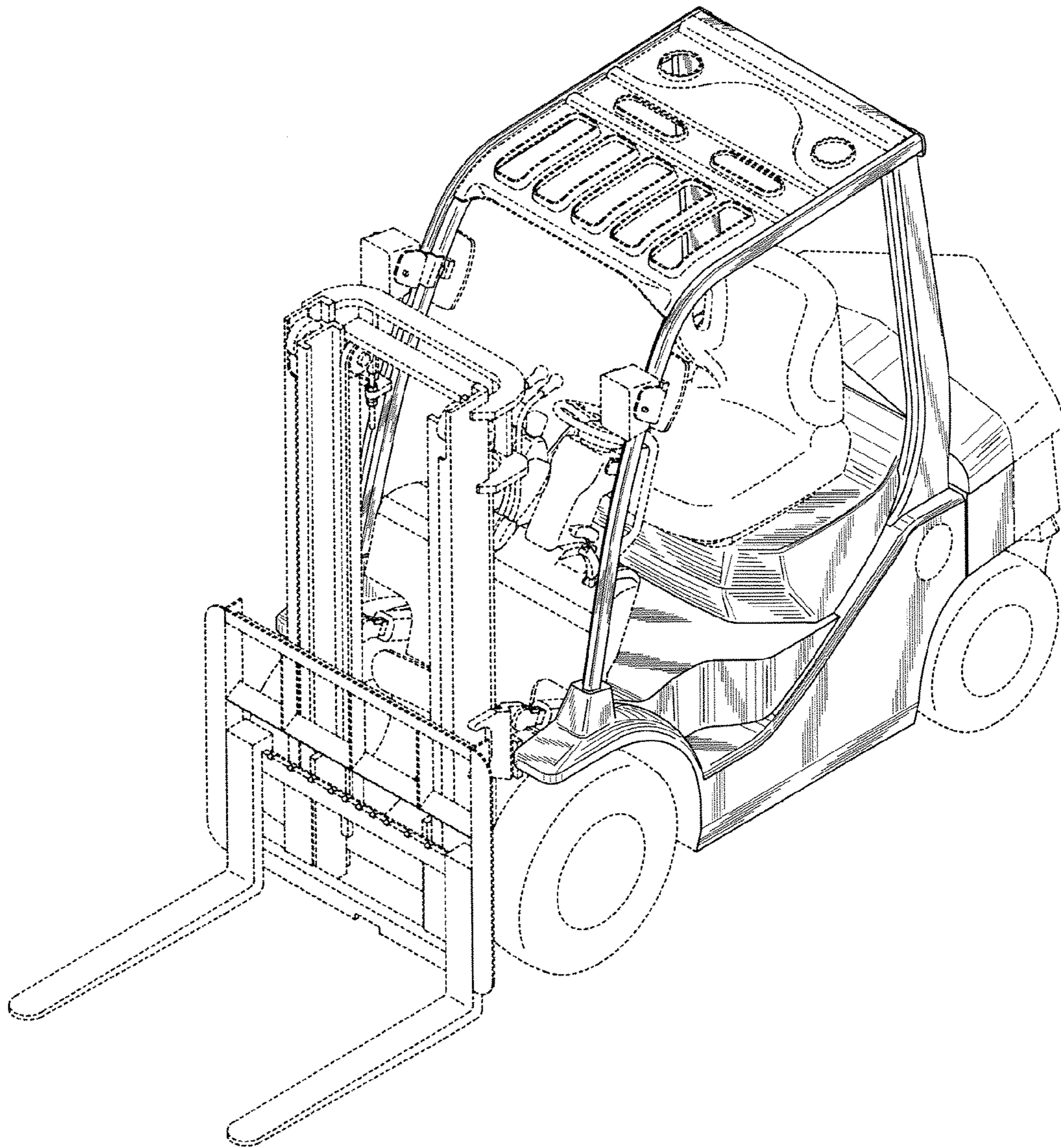


FIG. 2

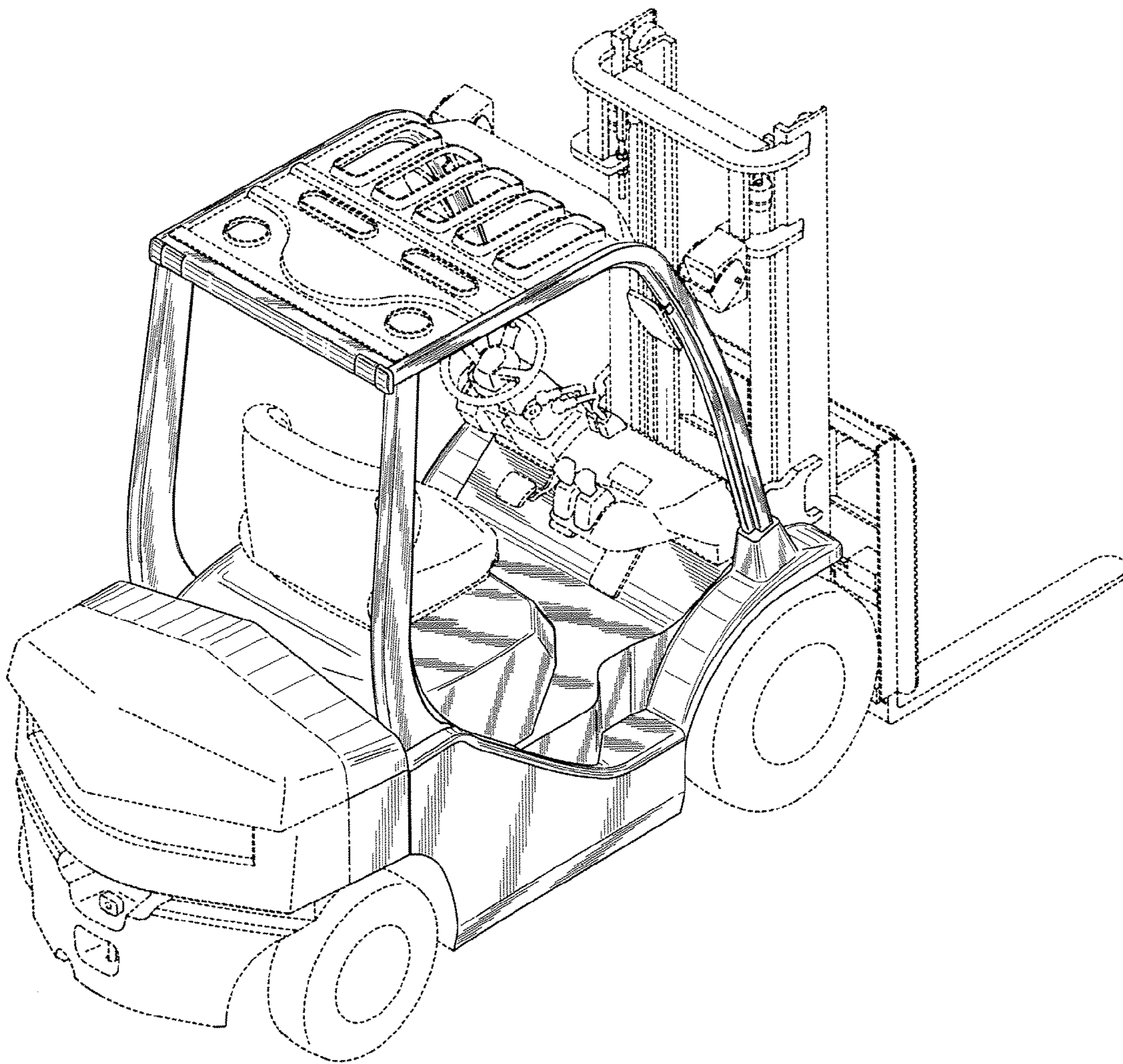


FIG. 3

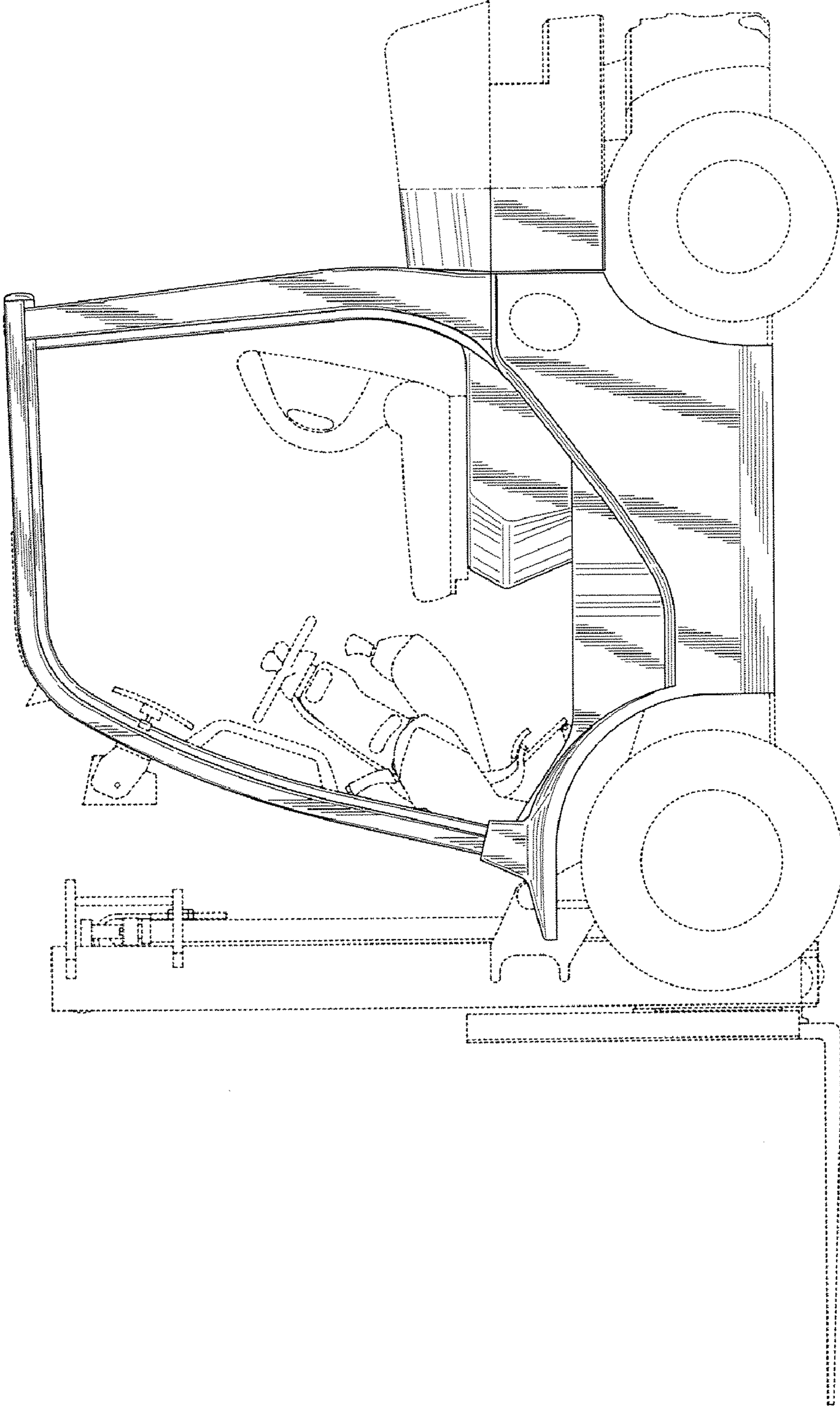


FIG. 4

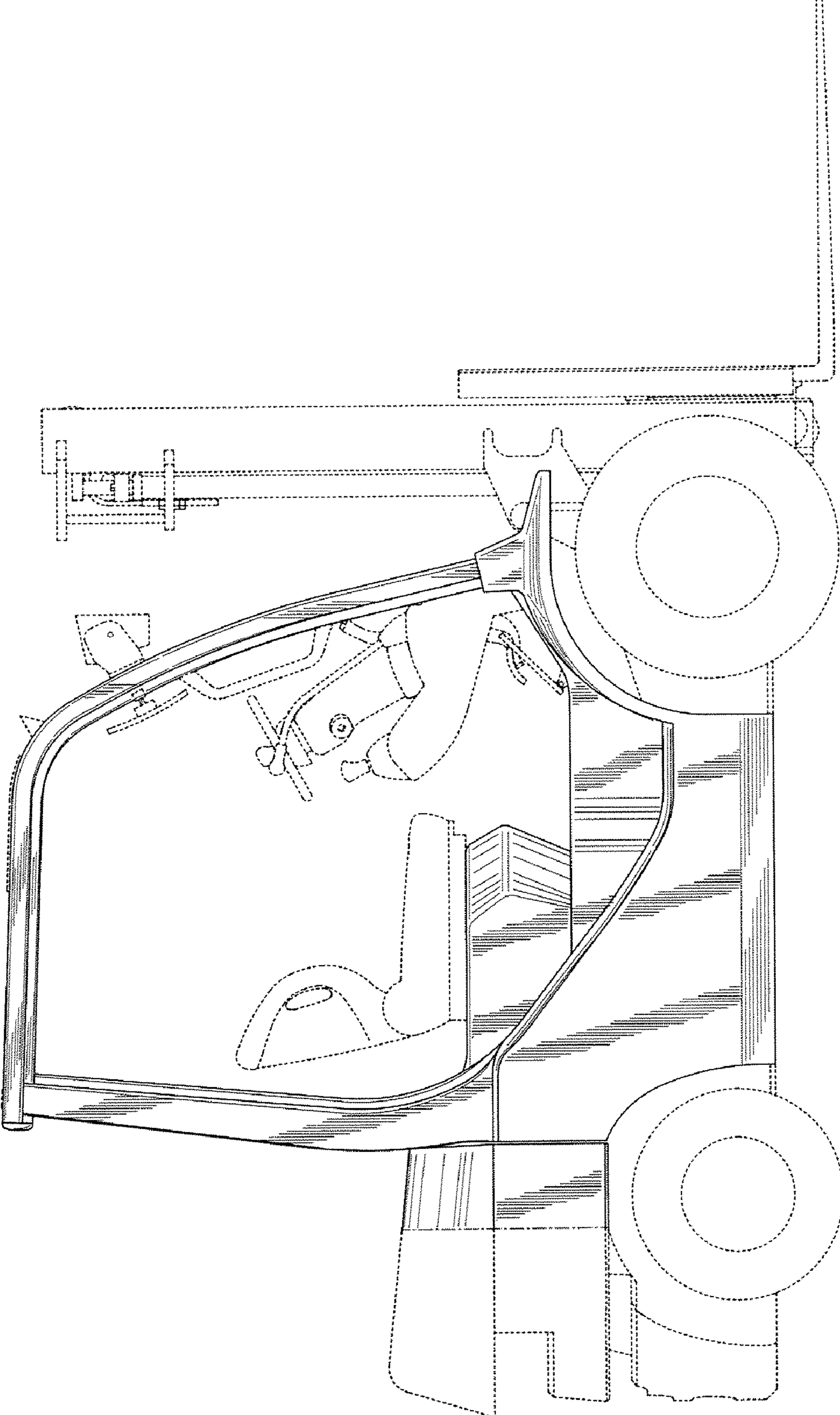


FIG. 5

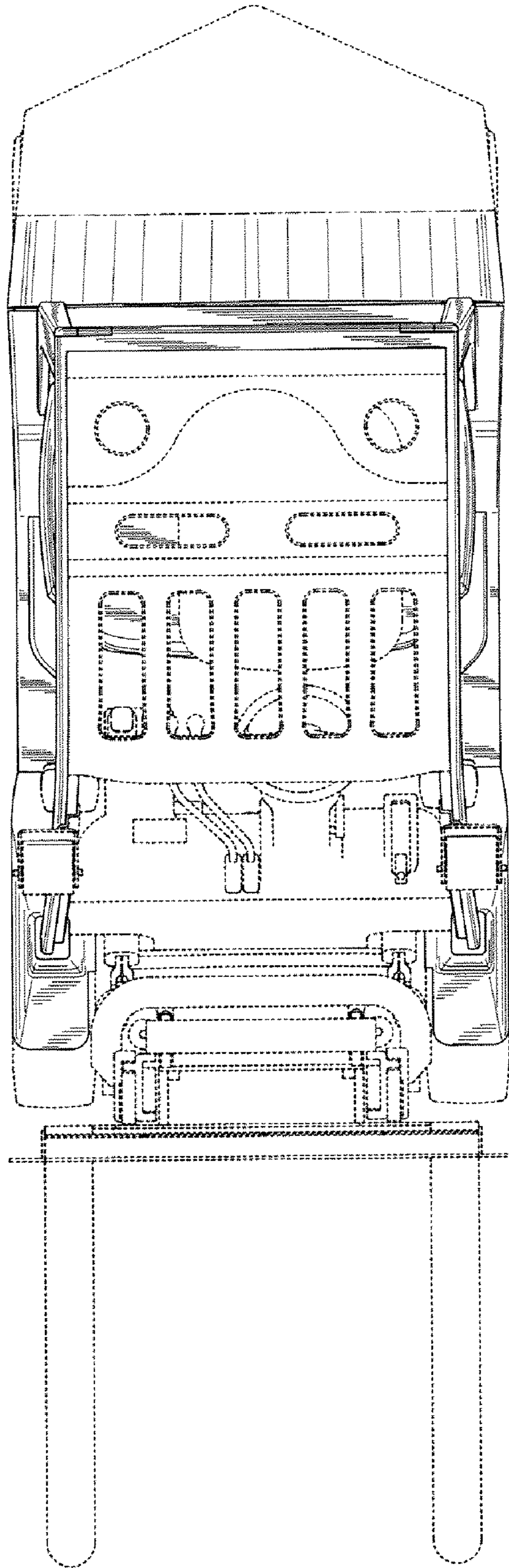


FIG. 7

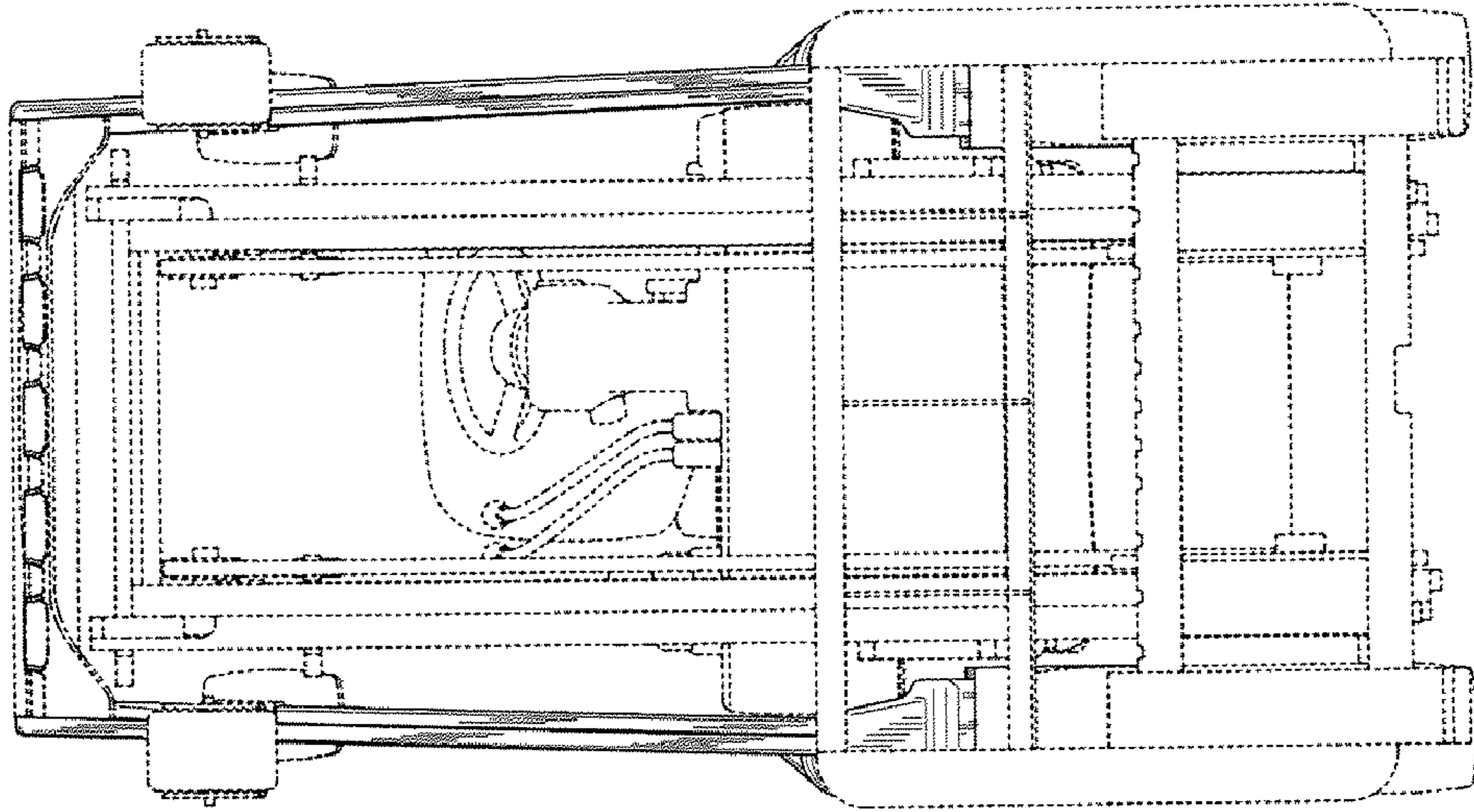
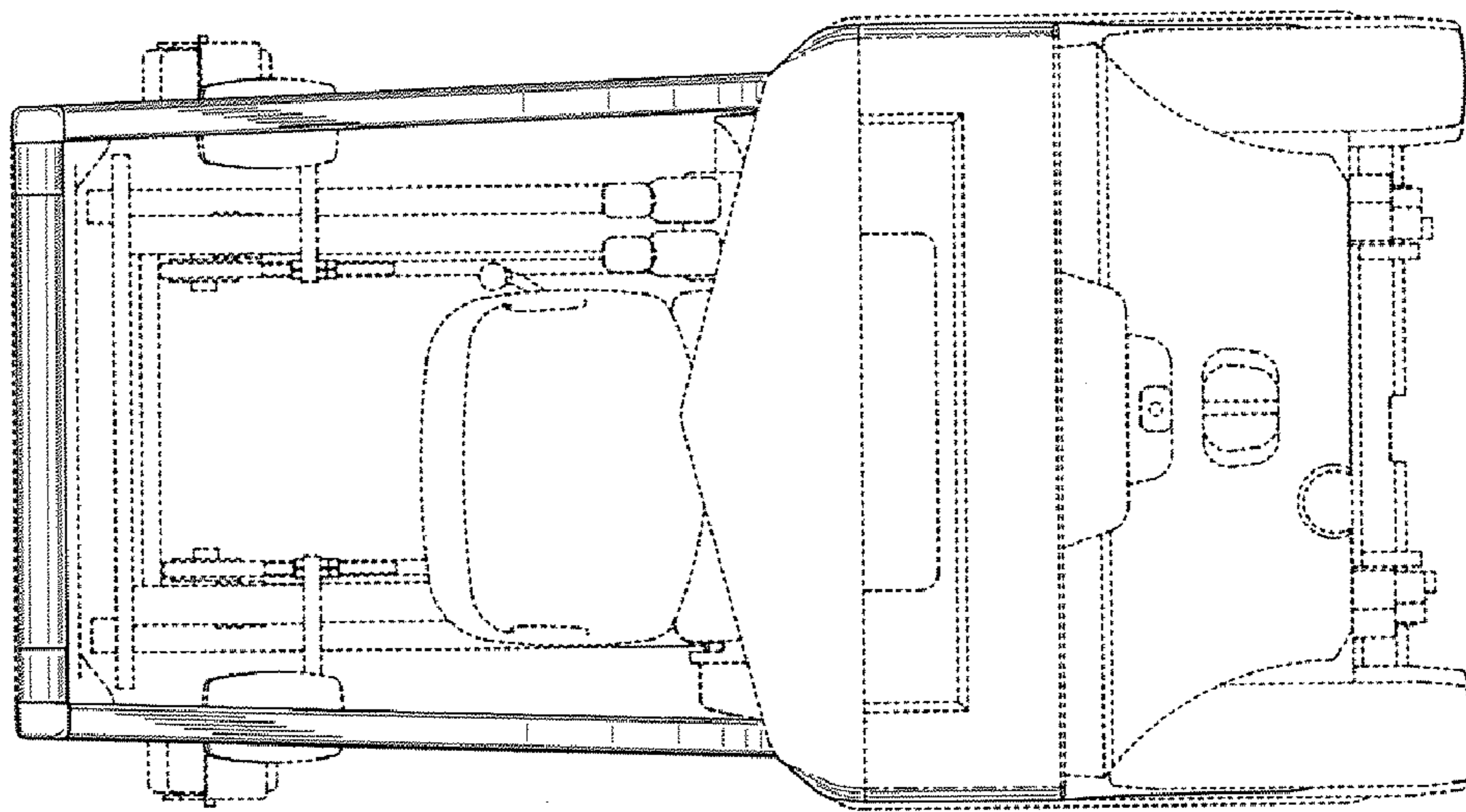


FIG. 6



UNITED STATES PATENT AND TRADEMARK OFFICE
CERTIFICATE OF CORRECTION

PATENT NO. : Des. 579,170 S
APPLICATION NO. : 29/317643
DATED : October 21, 2008
INVENTOR(S) : Hiroki Mori et al.

Page 1 of 1

It is certified that error appears in the above-identified patent and that said Letters Patent is hereby corrected as shown below:

In the Specification

On the Title Page, after the CLAIM section and before the DESCRIPTION section, please insert the following header: -- CROSS-REFERENCE TO RELATED APPLICATIONS --; and

On the Title Page, after the newly added header, CROSS-REFERENCE TO RELATED APPLICATIONS, please insert the following: -- This application is a divisional of pending U.S. Design Patent Application Serial No. 29/266,915 filed September 29, 2006 under 35 U.S.C. §120, which claims priority to Japanese Application Nos. 2006-008556, 2006-008557, 2006-008558, 2006-008559 and 2006-008560 which were all filed on March 31, 2006 under 35 U.S.C. §119, the entirety of all of which are incorporated herein by reference as if fully set forth herein. All of the material from the Japanese Application Nos. 2006-008556, 2006-008557, 2006-008558, 2006-008559 and 2006-008560 which are essential to the claimed design is included herein. Any material in these Japanese Applications which is not present herein forms no part of the claimed design. --.

Signed and Sealed this

Ninth Day of June, 2009



JOHN DOLL

Acting Director of the United States Patent and Trademark Office