



US00D579169S

(12) **United States Design Patent**
Mori et al.

(10) **Patent No.:** **US D579,169 S**
(45) **Date of Patent:** **** Oct. 21, 2008**

(54) **FORKLIFT TRUCK**

(75) Inventors: **Hiroki Mori**, Kariya (JP); **Tomomichi Miura**, Kariya (JP); **Masanori Shinoda**, Kariya (JP); **Takahito Miyake**, Kariya (JP)

(73) Assignee: **Kabushiki Kaisha Toyota Jidoshokki**, Kariya-shi (JP)

(**) Term: **14 Years**

(21) Appl. No.: **29/317,639**

(22) Filed: **May 2, 2008**

Related U.S. Application Data

(62) Division of application No. 29/266,915, filed on Sep. 29, 2006.

(30) **Foreign Application Priority Data**

Mar. 31, 2006	(JP)	2006-008556
Mar. 31, 2006	(JP)	2006-008557
Mar. 31, 2006	(JP)	2006-008558
Mar. 31, 2006	(JP)	2006-008559
Mar. 31, 2006	(JP)	2006-008560

(51) **LOC (8) Cl.** **12-05**

(52) **U.S. Cl.** **D34/35**

(58) **Field of Classification Search** D34/34,
D34/35, 37; 180/89.12, 89.13, 89.17; 187/222,
187/237, 238, 414

See application file for complete search history.

(56) **References Cited**

U.S. PATENT DOCUMENTS

D412,385 S	7/1999	Murakami et al.
D427,409 S	6/2000	Sato et al.
D444,607 S	7/2001	Yurushi et al.
D448,136 S	9/2001	Yurushi et al.
D452,598 S	12/2001	Sato
D464,784 S	10/2002	Sato

D466,669 S	12/2002	Kraimer et al.
D468,885 S	1/2003	Salin et al.
D471,340 S	3/2003	Shibata et al.
D471,689 S	3/2003	Shibata et al.
D492,831 S	7/2004	Kouyama
D518,268 S	3/2006	Stark
D526,460 S	8/2006	Goto et al.
D551,423 S	9/2007	Kodama et al.
D555,872 S	11/2007	Brown et al.
D557,474 S	12/2007	Kouyama et al.

FOREIGN PATENT DOCUMENTS

JP 1053353-2 A 11/1999

OTHER PUBLICATIONS

Japanese Office Action dated Jan. 5, 2007, Application No. 2006-008556 (without English translation).

Primary Examiner—Cynthia E Ramirez

(74) *Attorney, Agent, or Firm*—Morgan & Finnegan, LLP

(57) **CLAIM**

The ornamental design for a forklift truck, as shown and described.

DESCRIPTION

FIG. 1 is a front perspective view of a forklift truck showing our new design;

FIG. 2 is a rear perspective view thereof;

FIG. 3 is a front view thereof;

FIG. 4 is a rear view thereof;

FIG. 5 is a top plan view thereof;

FIG. 6 is a right side elevational view thereof; and,

FIG. 7 is a left side elevational view thereof.

The bottom plan view is omitted since this article is a heavy item. The broken lines are shown for illustrative purposes only and form no part of the claimed design. The dot-dashed lines denote the boundary of the claim, and form no part of the claimed design.

1 Claim, 6 Drawing Sheets

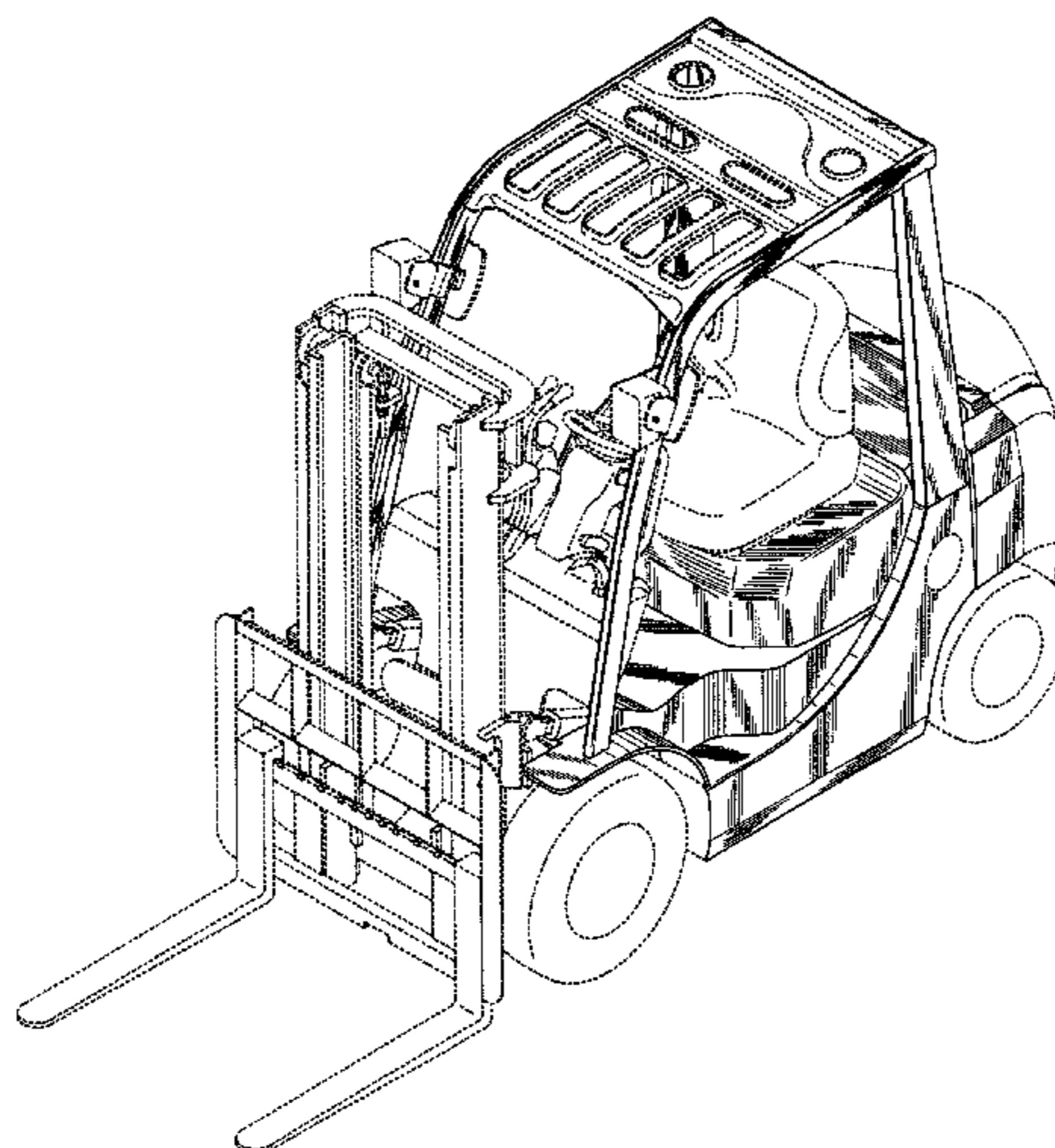


FIG. 1

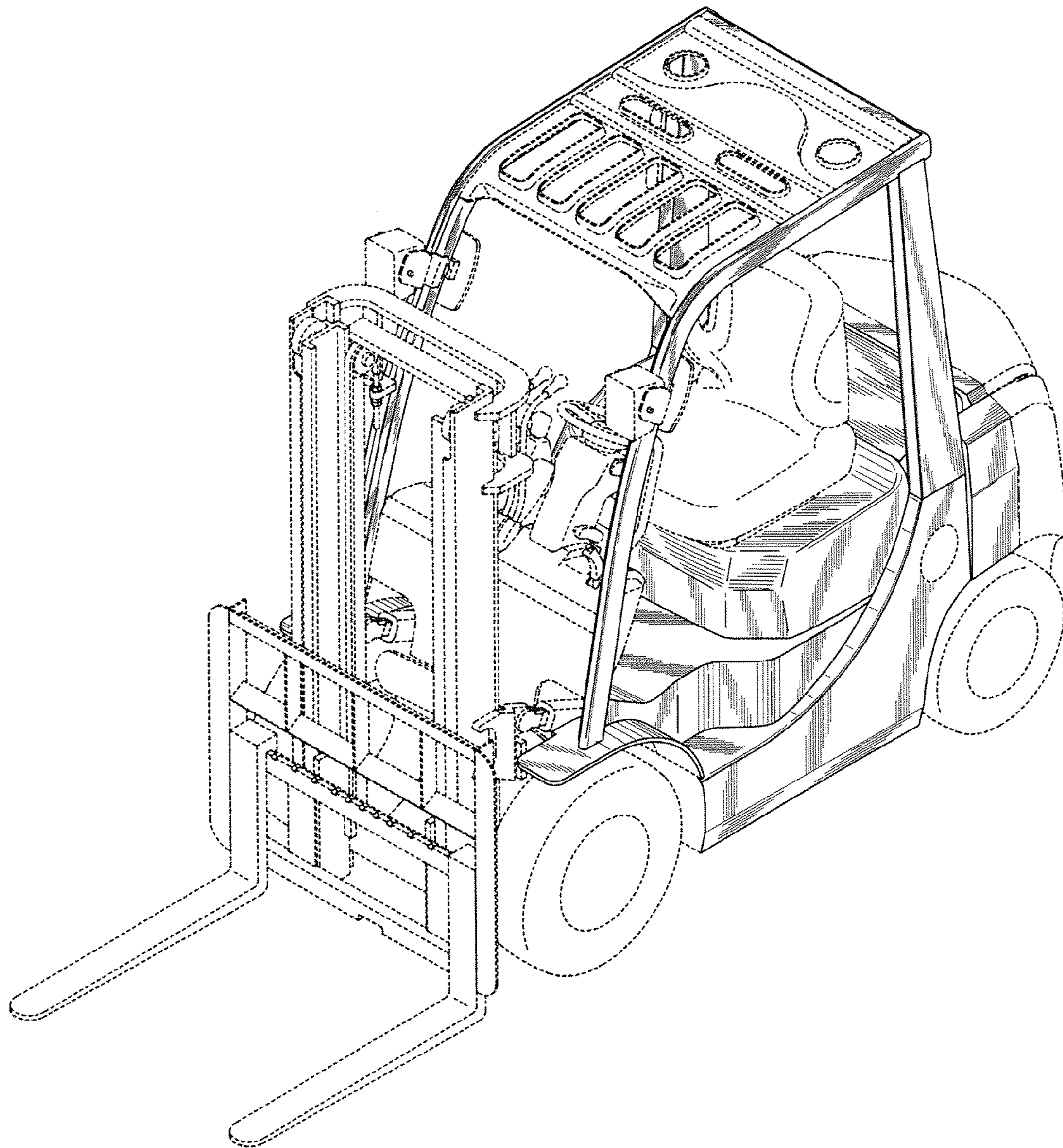


FIG. 2

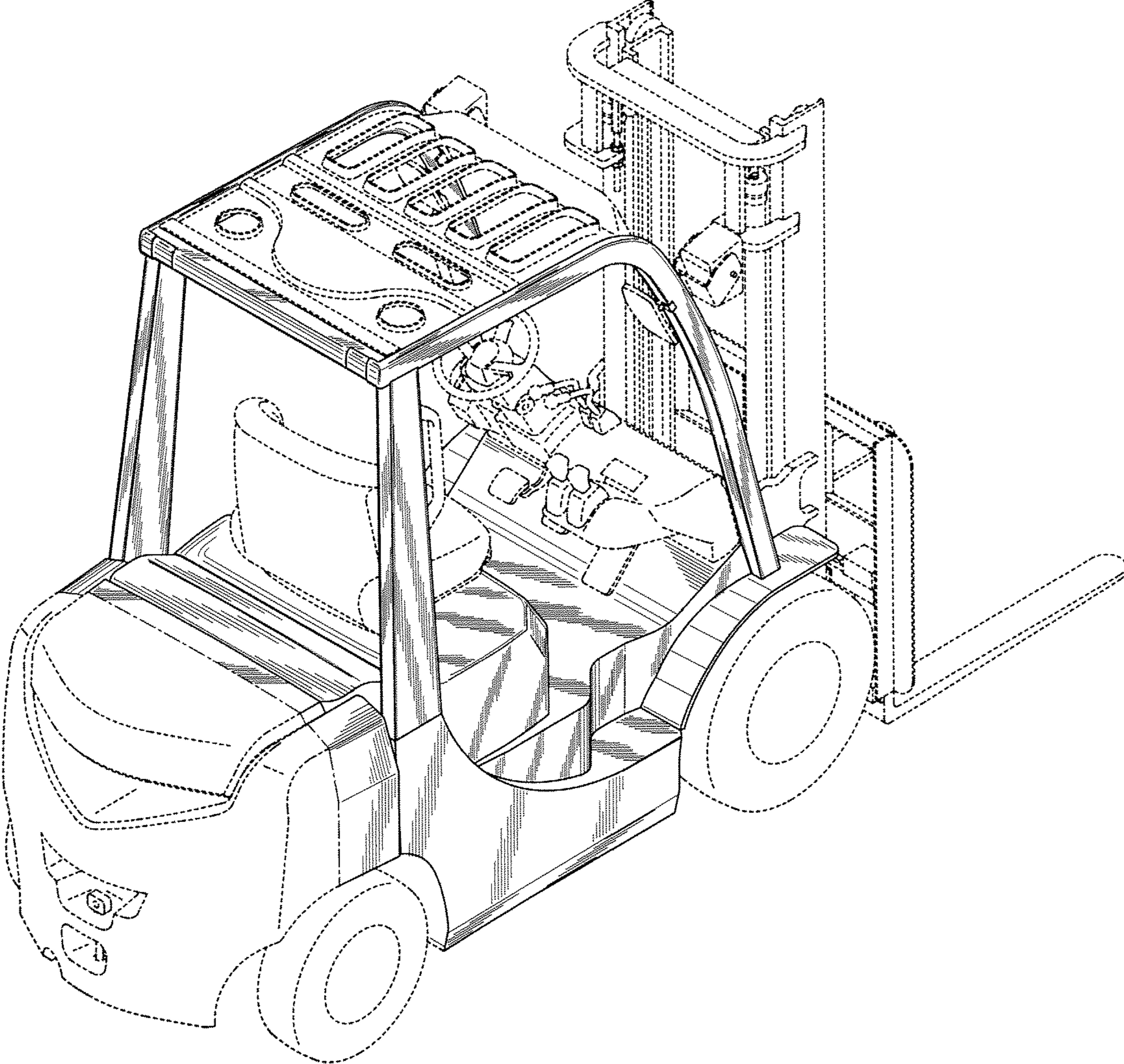


FIG. 3

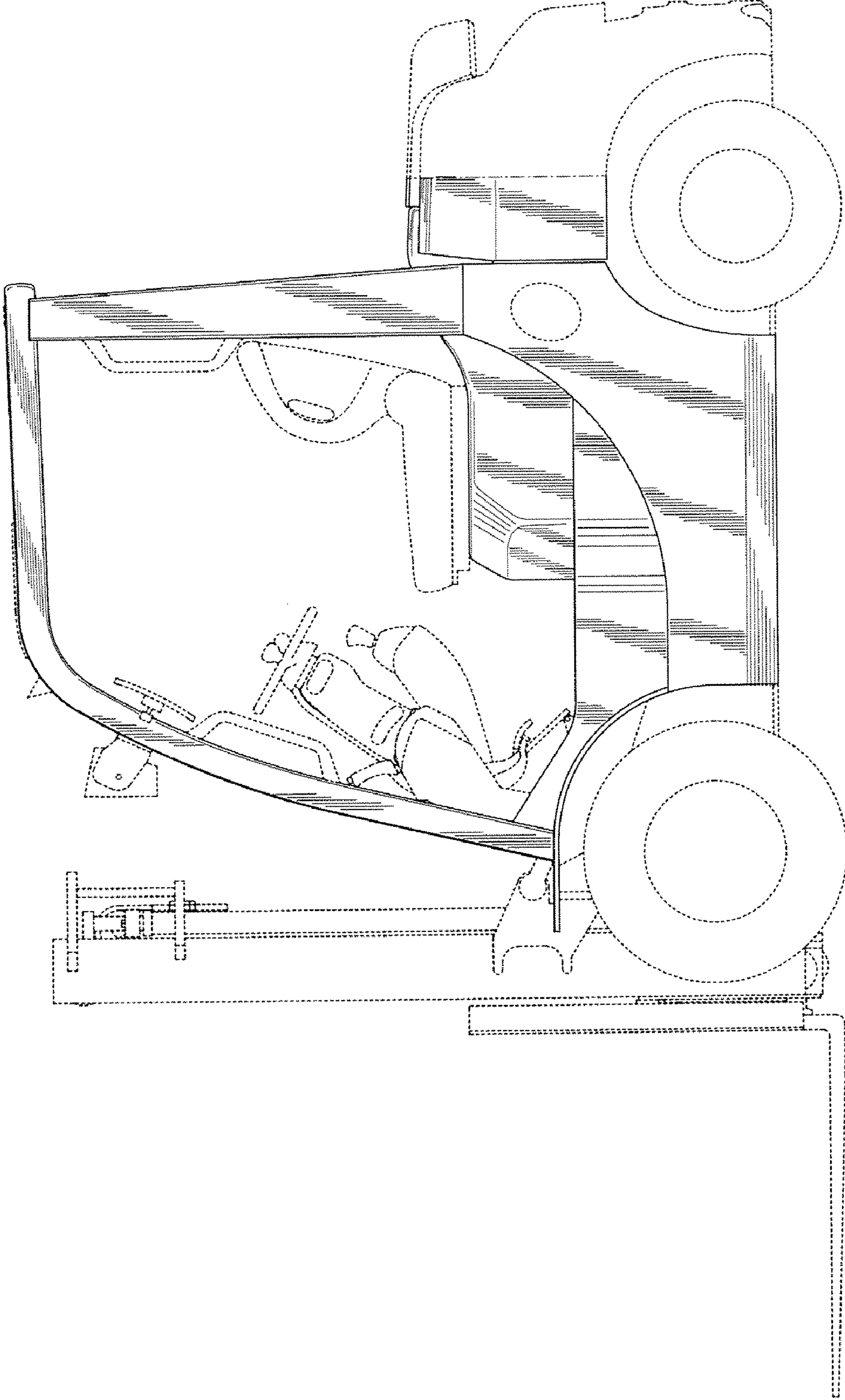


FIG. 4

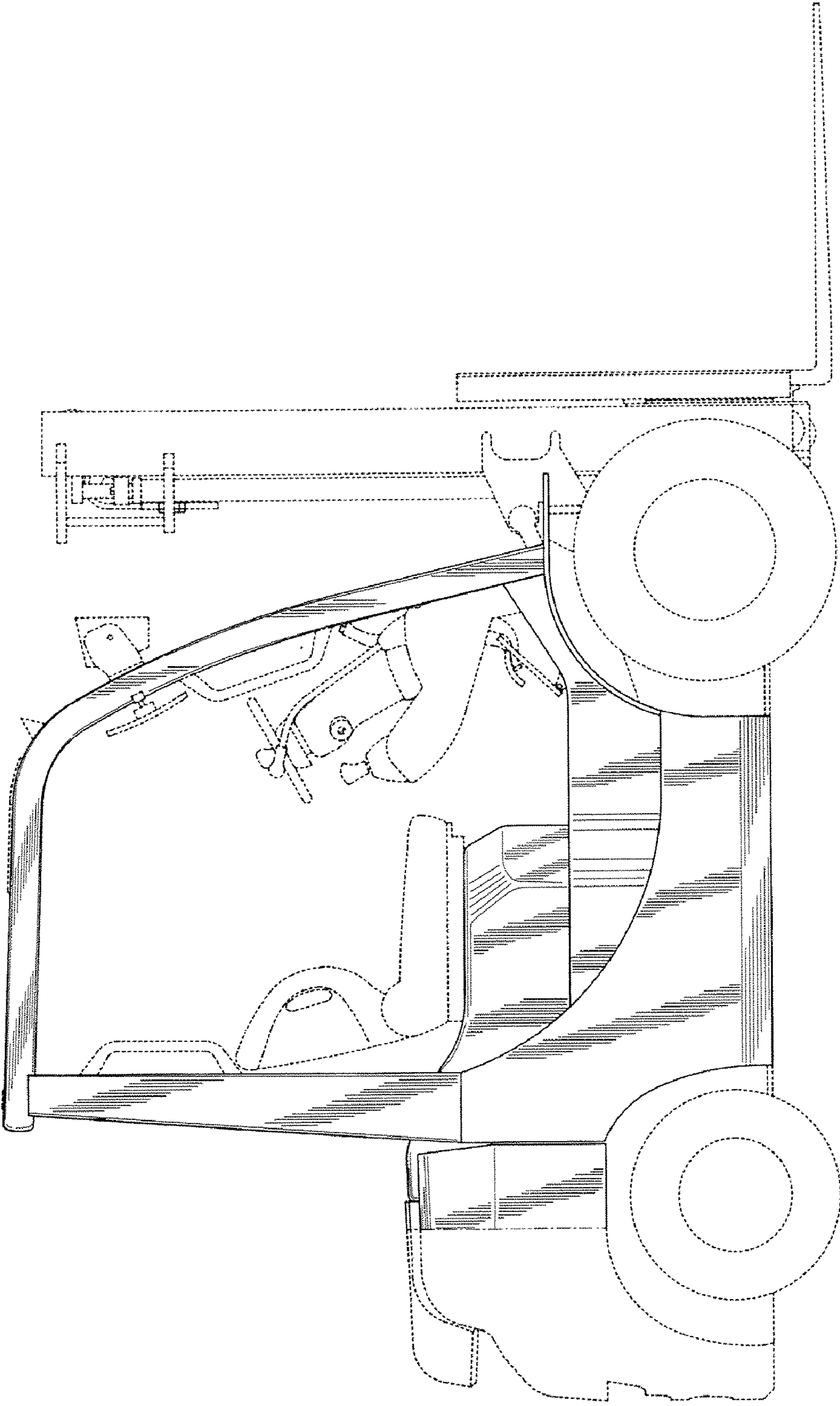


FIG. 5

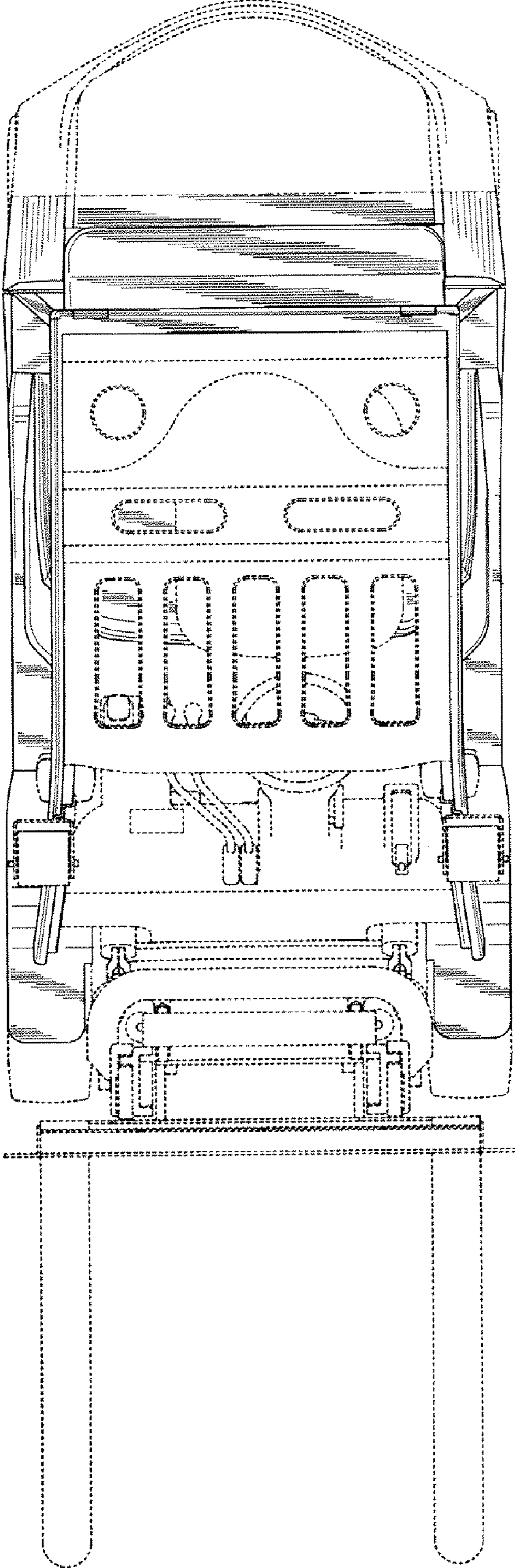


FIG. 7

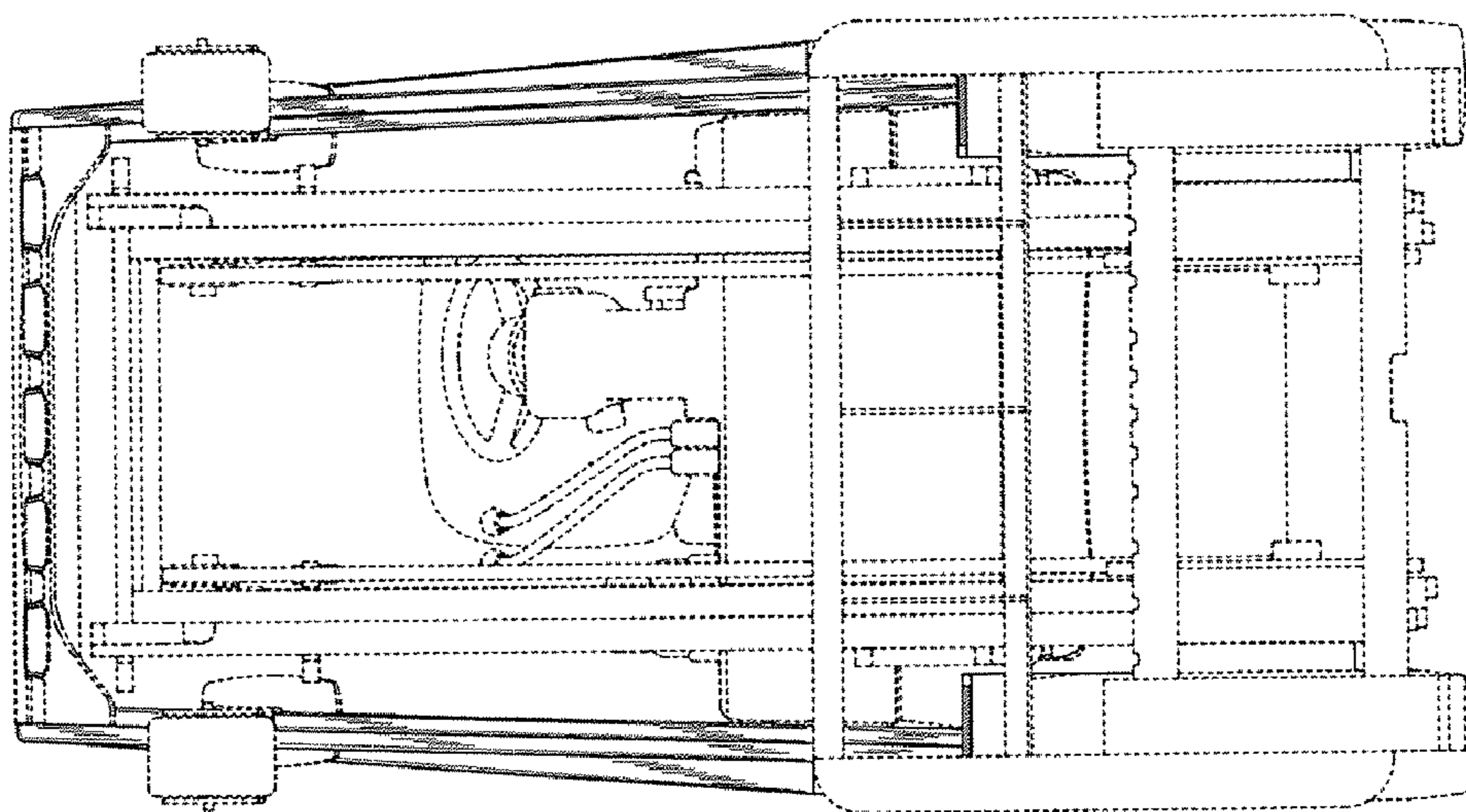
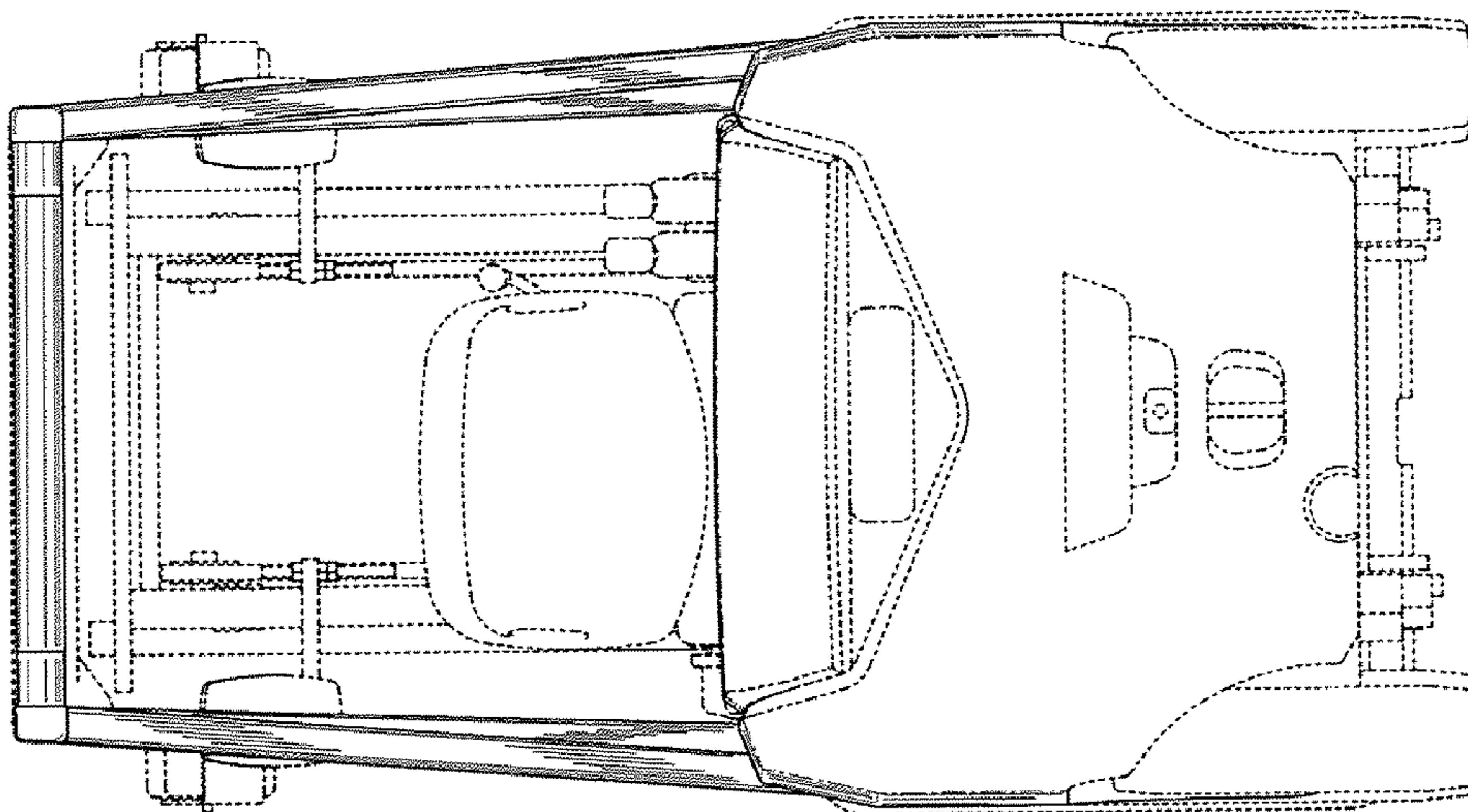


FIG. 6



UNITED STATES PATENT AND TRADEMARK OFFICE
CERTIFICATE OF CORRECTION

PATENT NO. : Des. 579,169 S
APPLICATION NO. : 29/317639
DATED : October 21, 2008
INVENTOR(S) : Hiroki Mori et al.

Page 1 of 1

It is certified that error appears in the above-identified patent and that said Letters Patent is hereby corrected as shown below:

On the Title Page, after the CLAIM section and before the DESCRIPTION section, please insert the following header: -- CROSS-REFERENCE TO RELATED APPLICATIONS --; and

On the Title Page, after the newly added header, CROSS-REFERENCE TO RELATED APPLICATIONS, please insert the following: -- This application is a divisional of pending U.S. Design Patent Application Serial No. 29/266,915 filed September 29, 2006 under 35 U.S.C. § 120, which claims priority to Japanese Applications Nos. 2006-008556, 2006-008557, 2006-008558, 2006-008559 and 2006-008560 which were all filed on March 31, 2006 under 35 U.S.C. § 119, the entirety of all of which are incorporated herein by reference as if fully set forth herein. All of the material from the Japanese Applications Nos. 2006-008556, 2006-008557, 2006-008558, 2006-008559 and 2006-008560 which are essential to the claimed design is included herein. Any material in these Japanese Applications which is not present herein forms no part of the claimed design. --.

Signed and Sealed this

Seventh Day of July, 2009



JOHN DOLL

Acting Director of the United States Patent and Trademark Office