



US00D579167S

(12) **United States Design Patent**  
**Lin**

(10) **Patent No.:** **US D579,167 S**

(45) **Date of Patent:** **\*\* Oct. 21, 2008**

(54) **JACK**

(76) **Inventor:** **Vincent W. Lin**, No. 365, Chueiyang Rd., East District, Chiayi City 600 (TW)

(\*\*) **Term:** **14 Years**

(21) **Appl. No.:** **29/297,985**

(22) **Filed:** **Nov. 26, 2007**

(51) **LOC (8) Cl.** ..... **12-05**

(52) **U.S. Cl.** ..... **D34/31**

(58) **Field of Classification Search** ..... D34/31;  
254/1, 8 R, 2 R, 11.93 R, 86  
See application file for complete search history.

(56) **References Cited**

**U.S. PATENT DOCUMENTS**

D332,337 S \* 1/1993 Wang ..... D34/31  
6,722,634 B1 \* 4/2004 Hsu ..... 254/8 B

\* cited by examiner

*Primary Examiner*—Cynthia E Ramirez

(74) *Attorney, Agent, or Firm*—Alan Kamrath; Kamrath & Associates PA

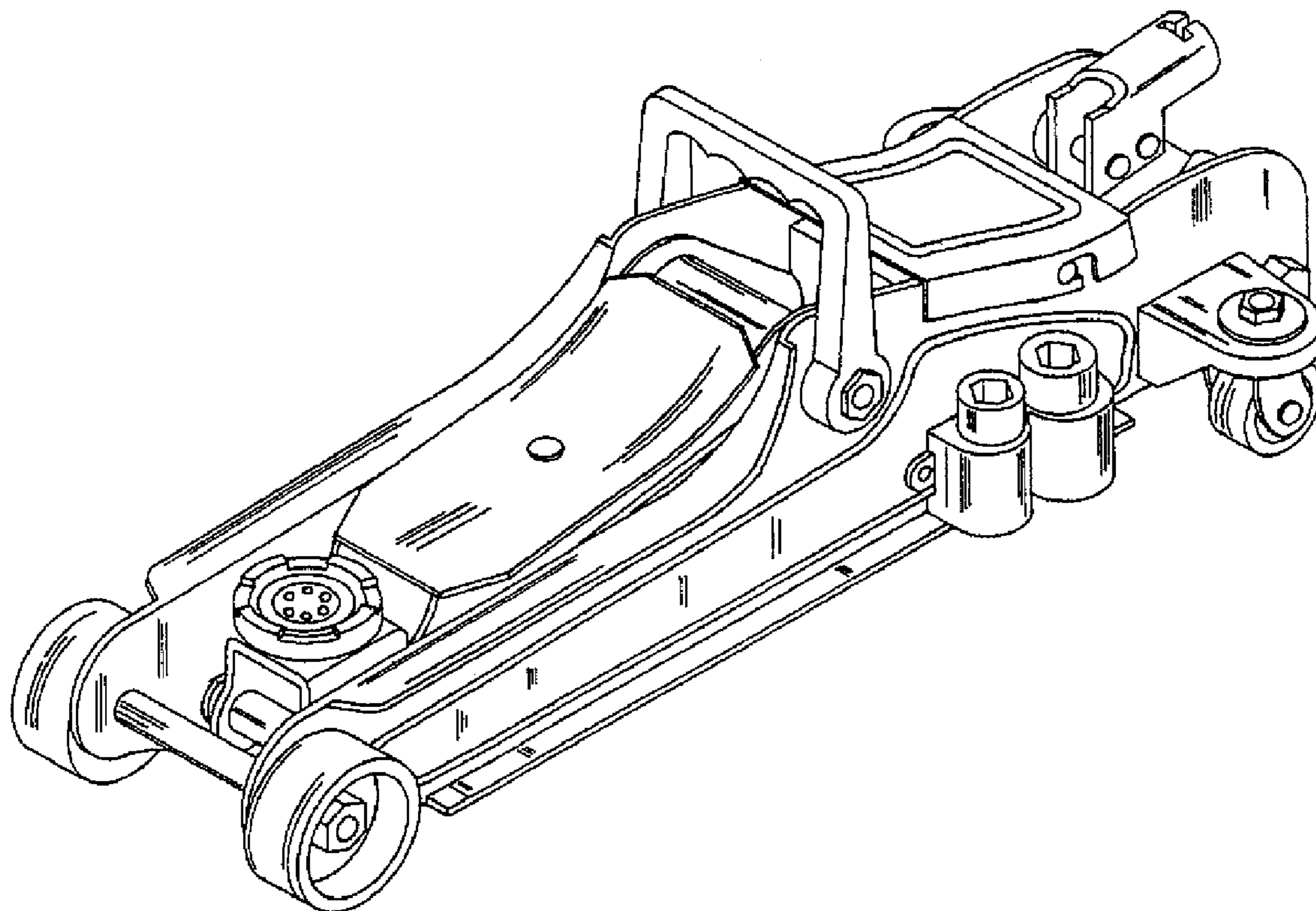
(57) **CLAIM**

The ornamental design for a jack, as shown and described.

**DESCRIPTION**

FIG. 1 is a perspective view of a jack showing my design;  
FIG. 2 is a front view thereof;  
FIG. 3 is a rear view thereof;  
FIG. 4 is a left side view thereof;  
FIG. 5 is a right side view thereof;  
FIG. 6 is a top plan view thereof; and,  
FIG. 7 is a bottom plan view thereof.

**1 Claim, 7 Drawing Sheets**



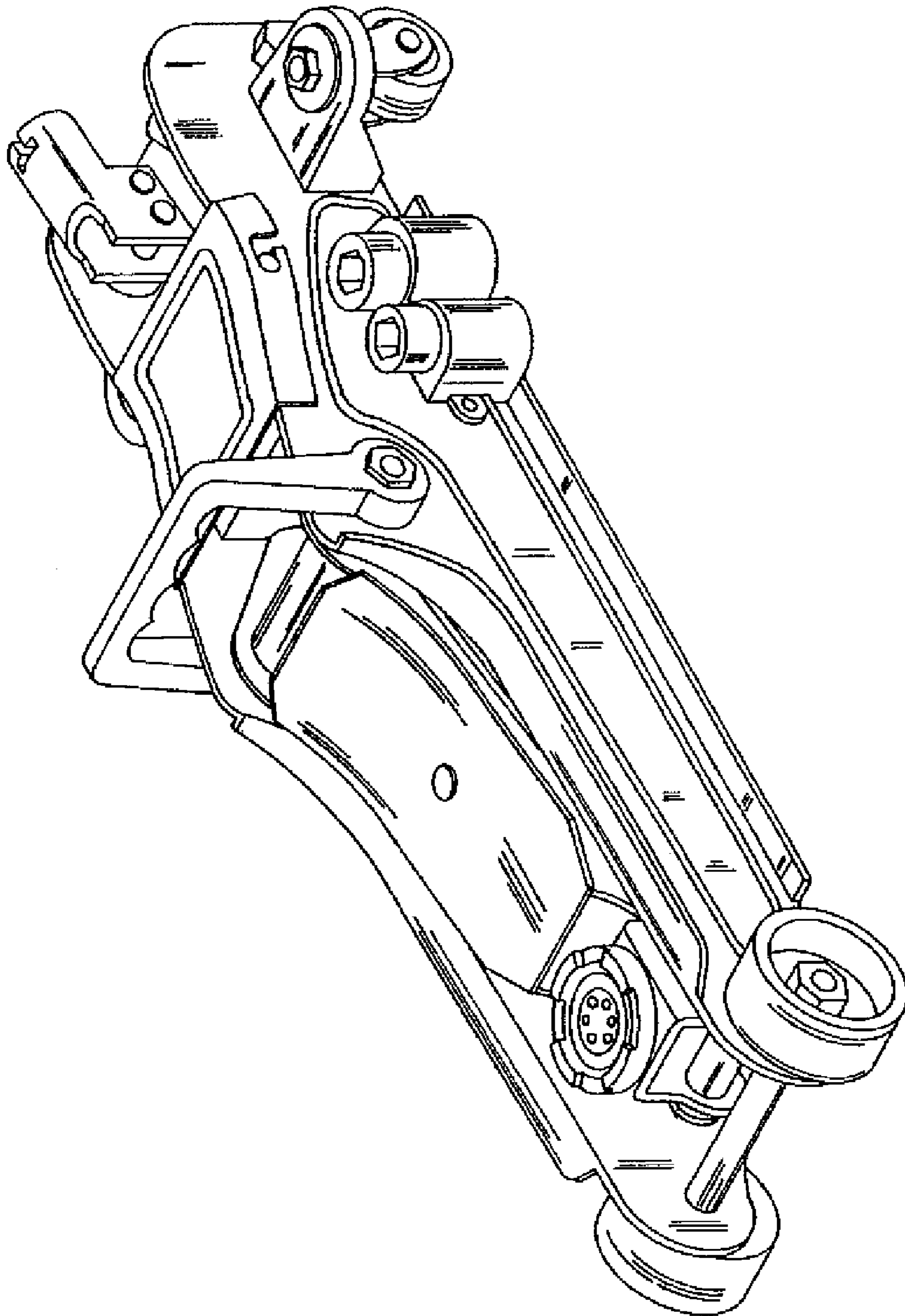


FIG. 1

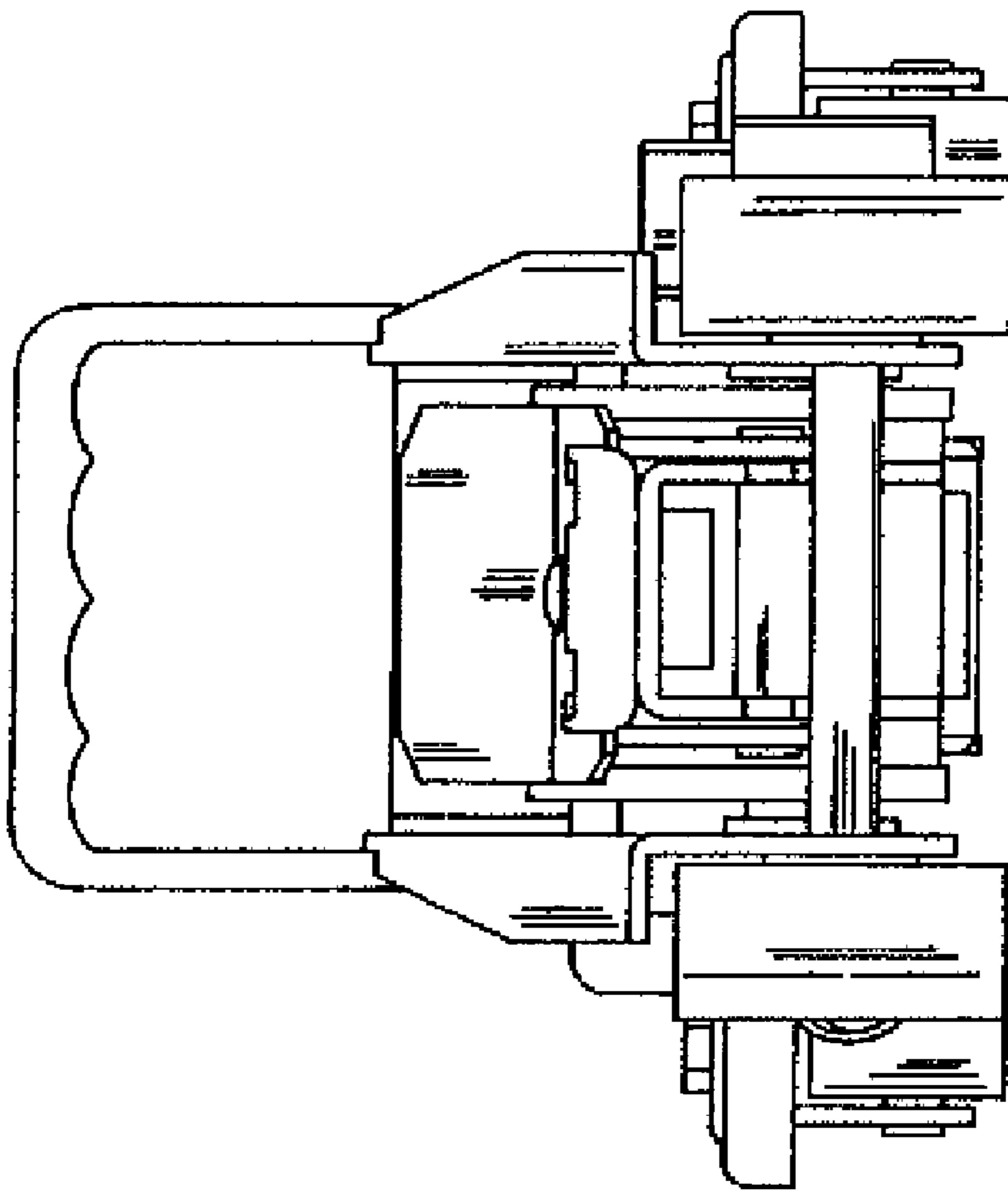


FIG.2

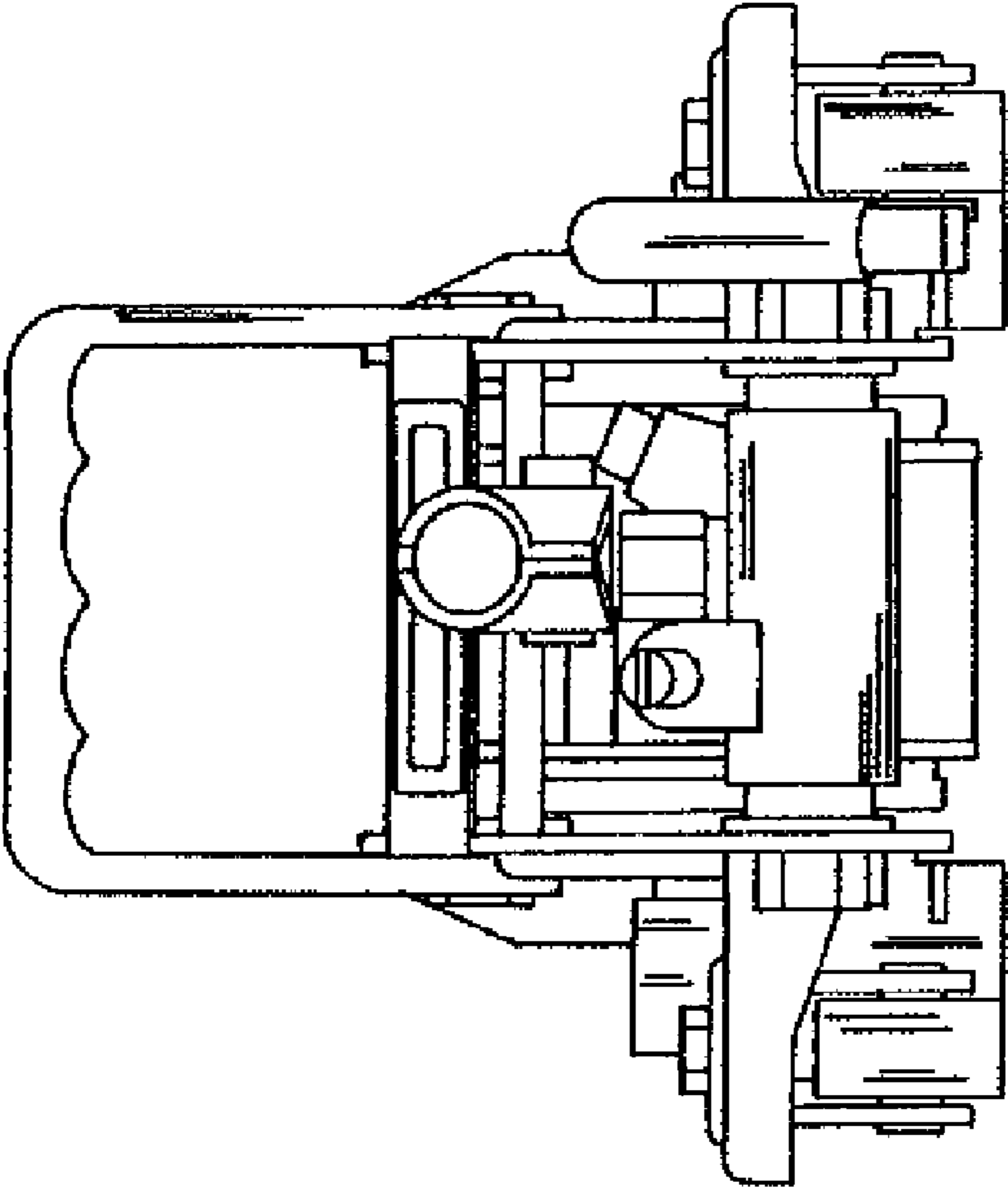


FIG. 3

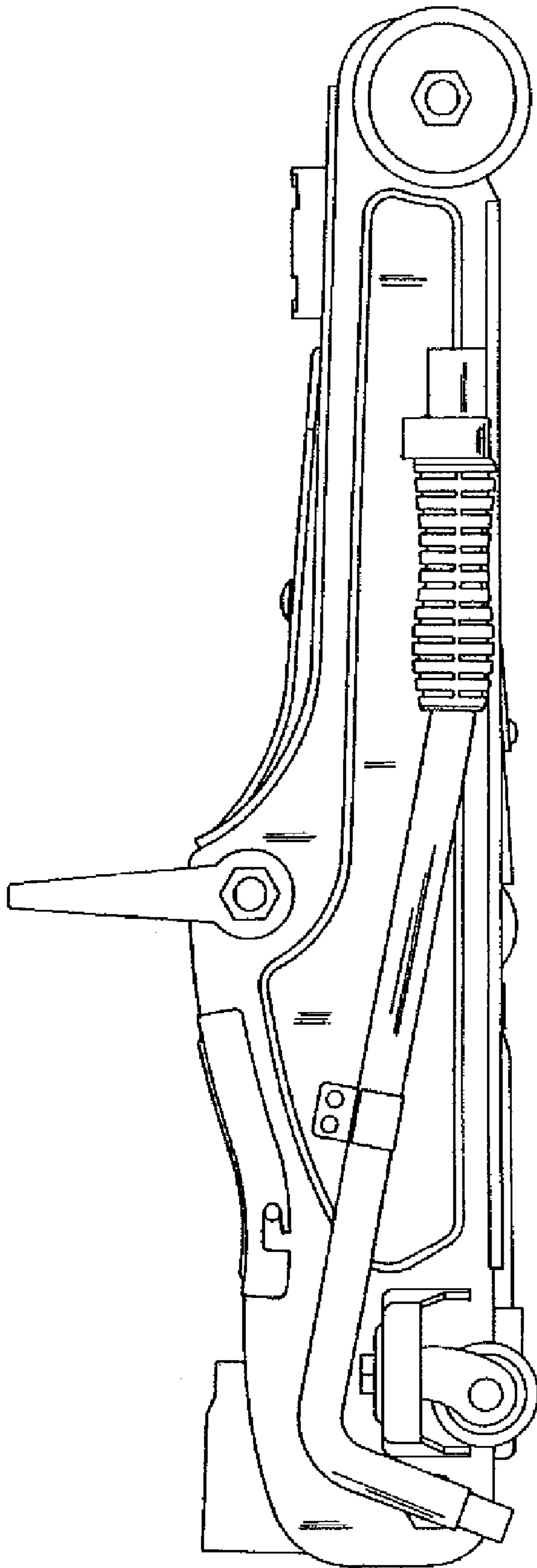


FIG.4

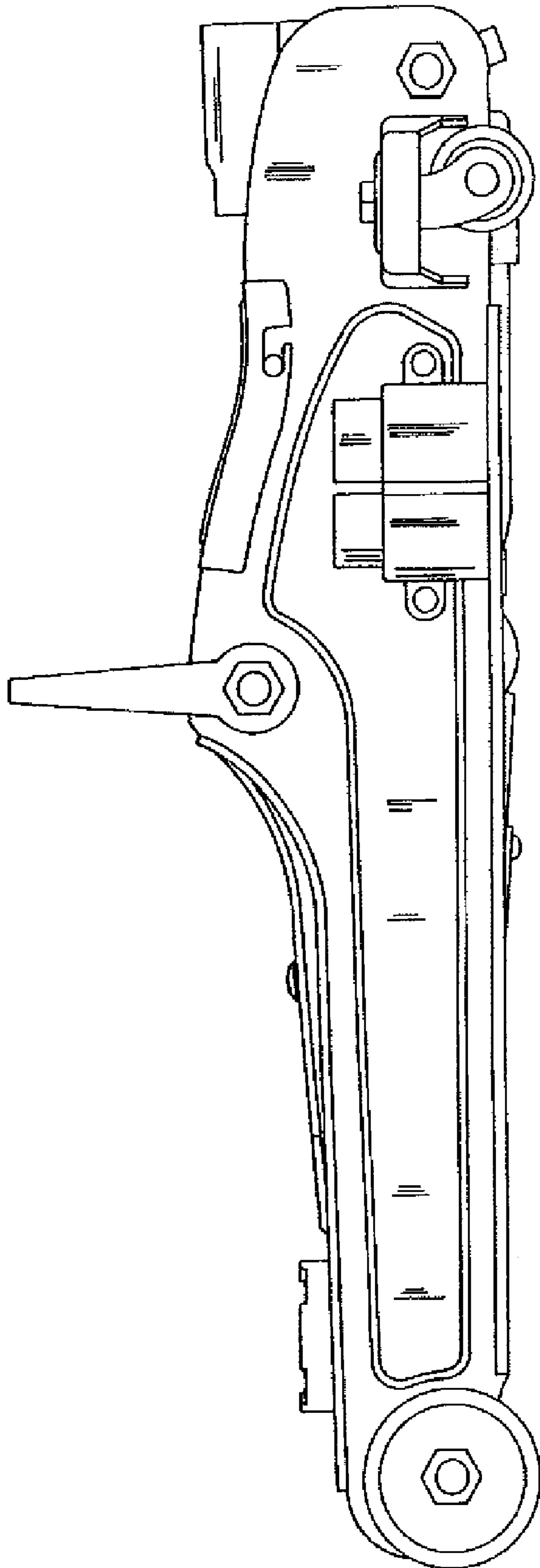


FIG.5

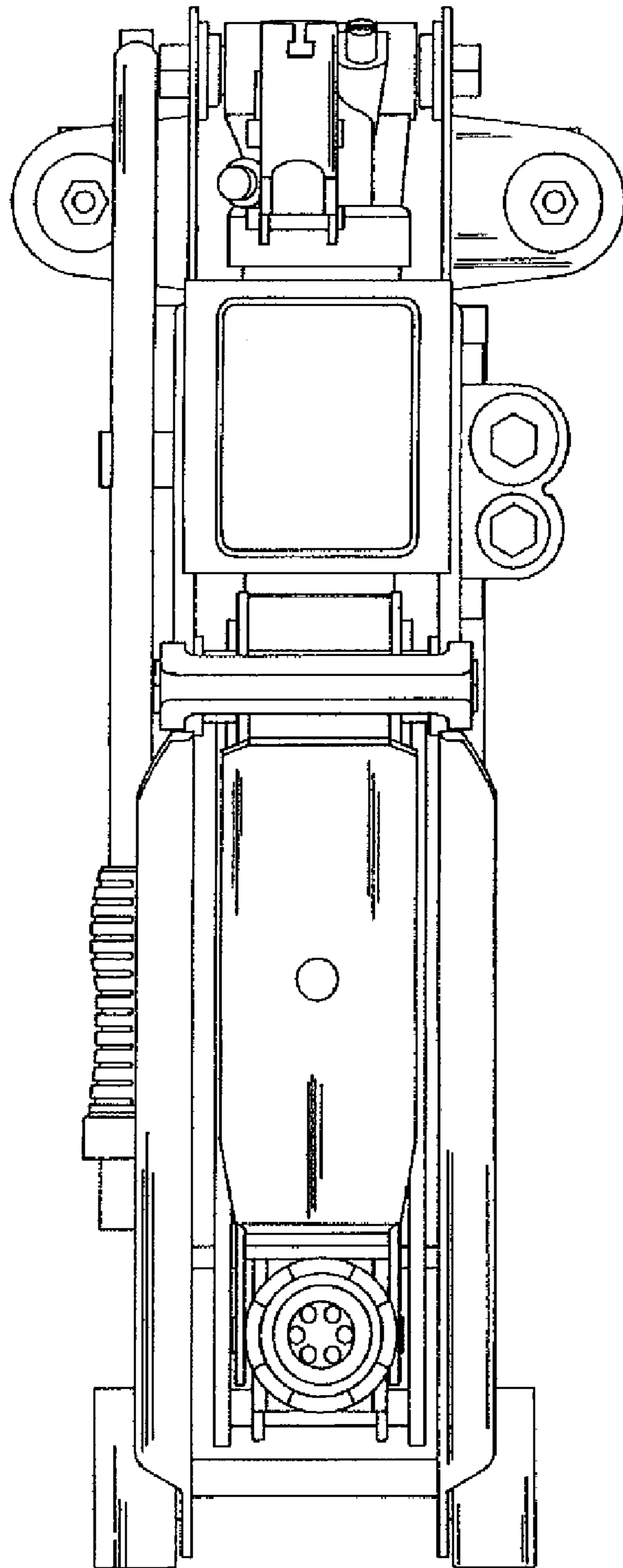


FIG.6

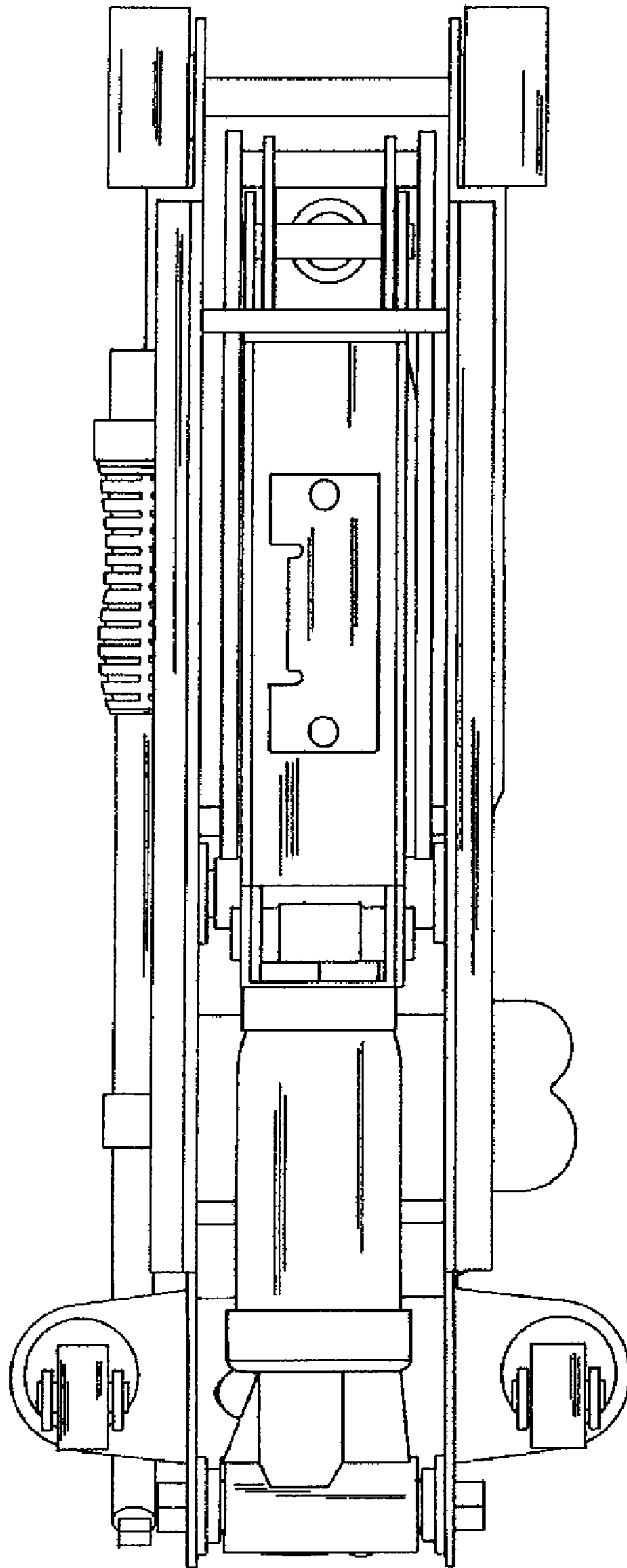


FIG.7