



US00D579164S

(12) **United States Design Patent**
Cheng

(10) **Patent No.:** **US D579,164 S**

(45) **Date of Patent:** **** Oct. 21, 2008**

(54) **CLEANING APPLIANCE**

(76) **Inventor:** **Hsi-Chou Cheng**, No. 180, Sec. 2,
Chengsi St., Tainan City (TW)

(**) **Term:** **14 Years**

(21) **Appl. No.:** **29/287,138**

(22) **Filed:** **Jul. 3, 2007**

(51) **LOC (8) Cl.** **08-99**

(52) **U.S. Cl.** **D32/35**

(58) **Field of Classification Search** D32/5-6,
D32/15, 21-23, 35; 15/320, 327.1-327.2,
15/0.6, 0.7, 347, 331, 344; 68/3 R, 5 R, 12.01;
34/523-524, 87-88; 312/31

See application file for complete search history.

(56) **References Cited**

U.S. PATENT DOCUMENTS

2,471,433	A *	5/1949	Kahn	68/24
5,152,077	A *	10/1992	Liang	34/77
6,922,868	B1 *	8/2005	Jeong	15/353
D519,693	S *	4/2006	Ricker et al.	D32/15
D521,196	S *	5/2006	Seiffert et al.	D32/6

D524,500 S * 7/2006 Wai D32/35

* cited by examiner

Primary Examiner—Pamela J Burgess

(74) *Attorney, Agent, or Firm*—Rosenberg, Klein & Lee

(57) **CLAIM**

The ornamental design for a cleaning appliance, as shown and described.

DESCRIPTION

FIG. 1 is a perspective view of a cleaning appliance showing my new design;

FIG. 2 is a front elevational view thereof;

FIG. 3 is a rear elevational view thereof;

FIG. 4 is a left side elevational view thereof;

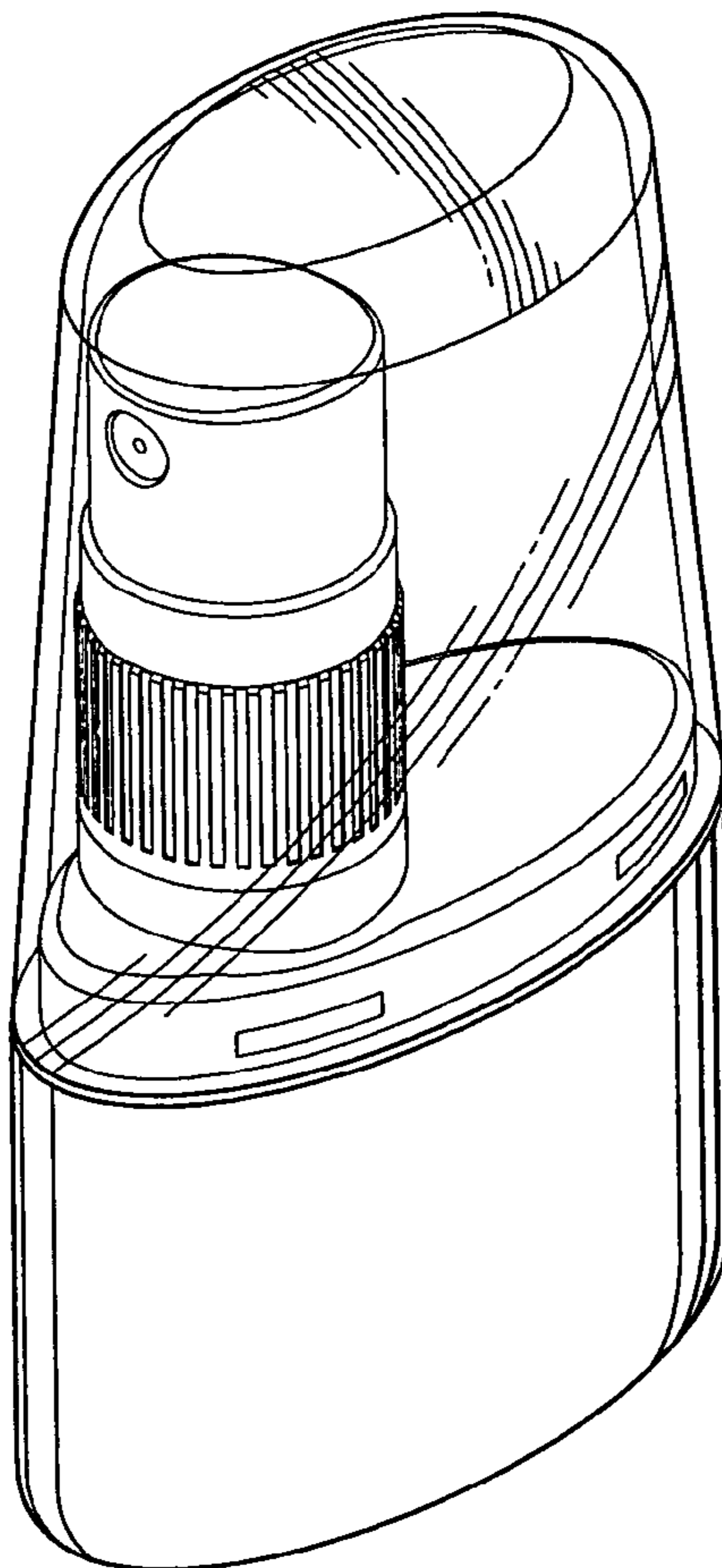
FIG. 5 is a right side elevational view thereof;

FIG. 6 is a top plan view thereof; and,

FIG. 7 is a bottom plan view thereof; and,

FIG. 8 is a perspective view thereof, wherein the broken line of the cleaning appliance is for illustrative purposes, and forms no part of the claimed design.

1 Claim, 5 Drawing Sheets



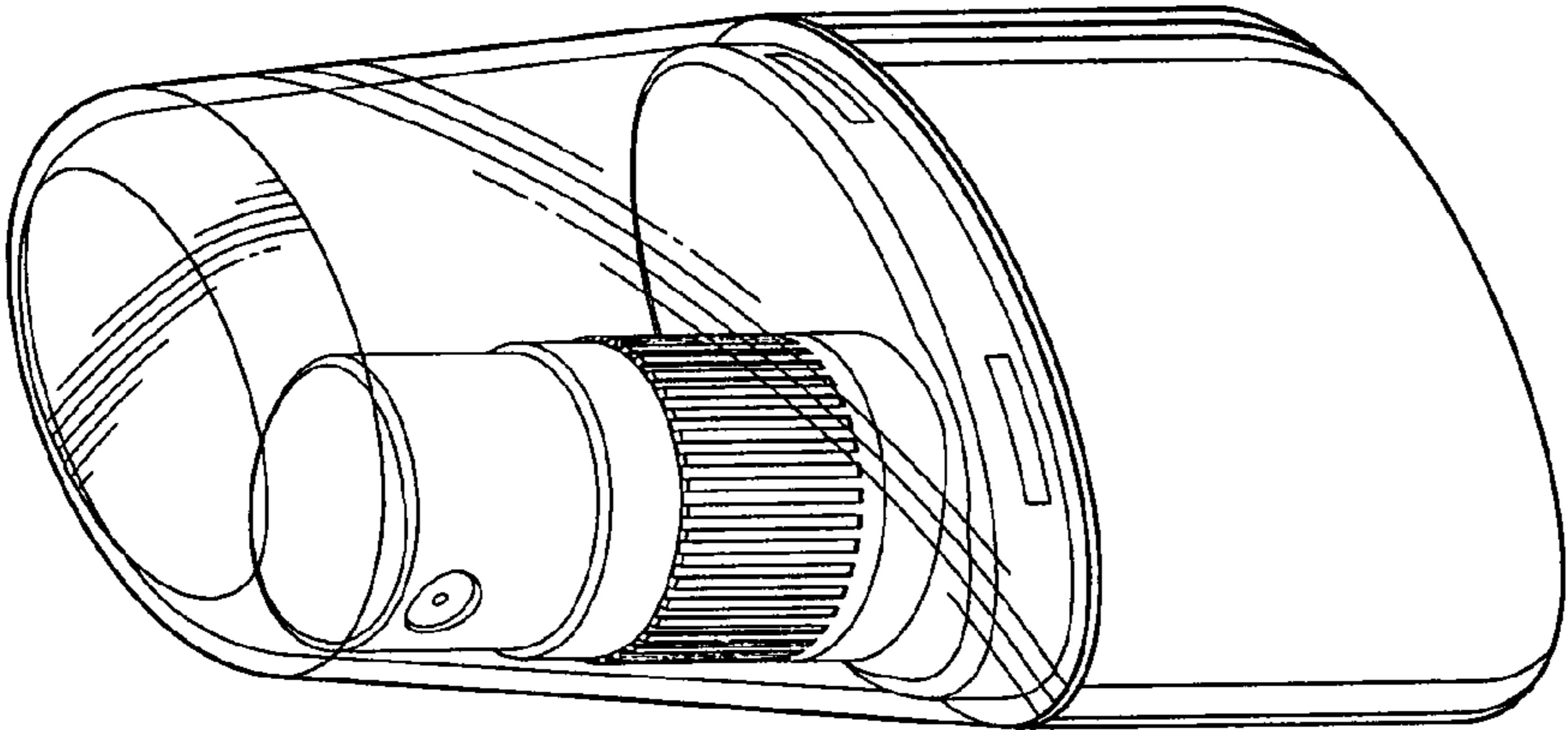


FIG. 1

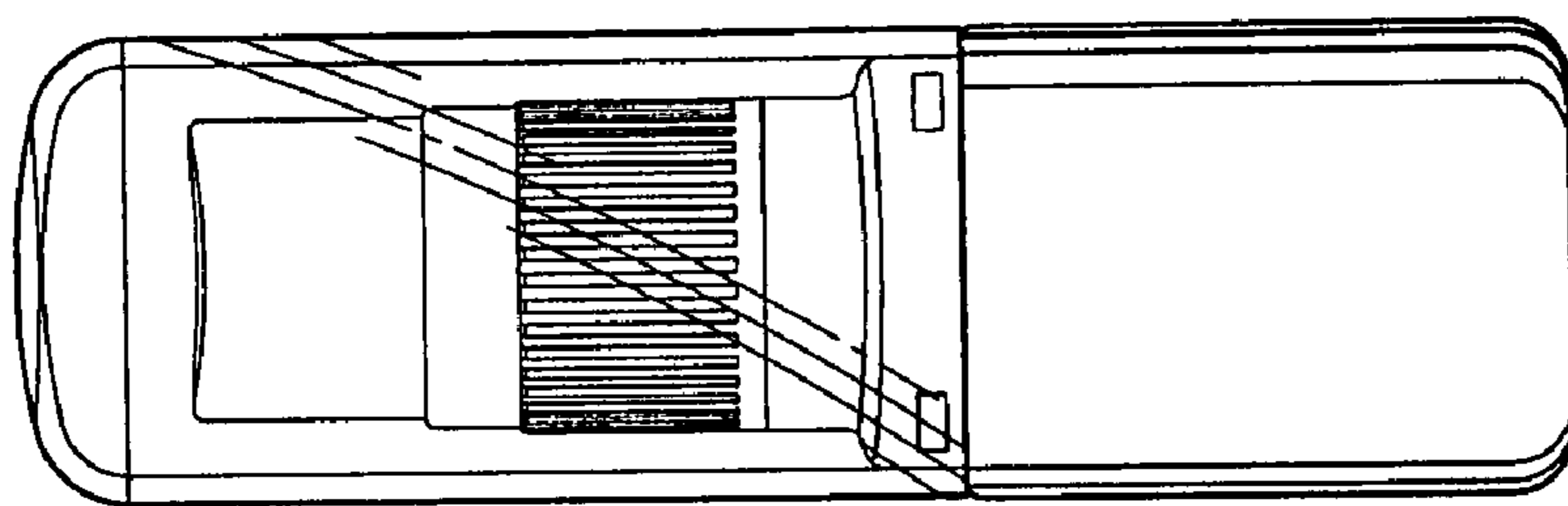


FIG. 2

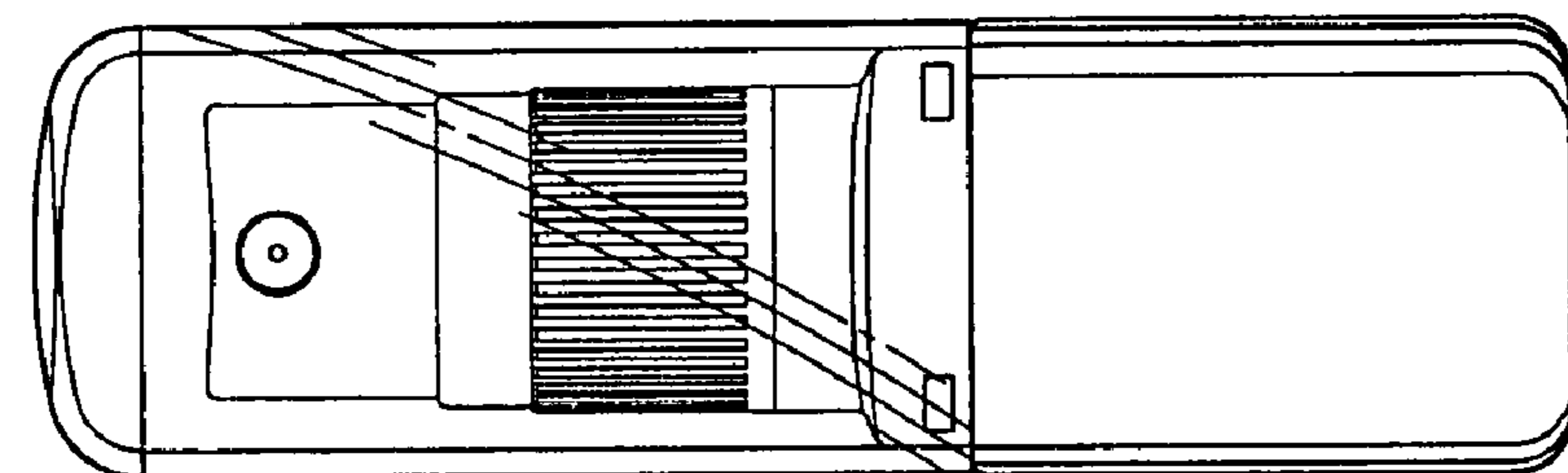


FIG. 3

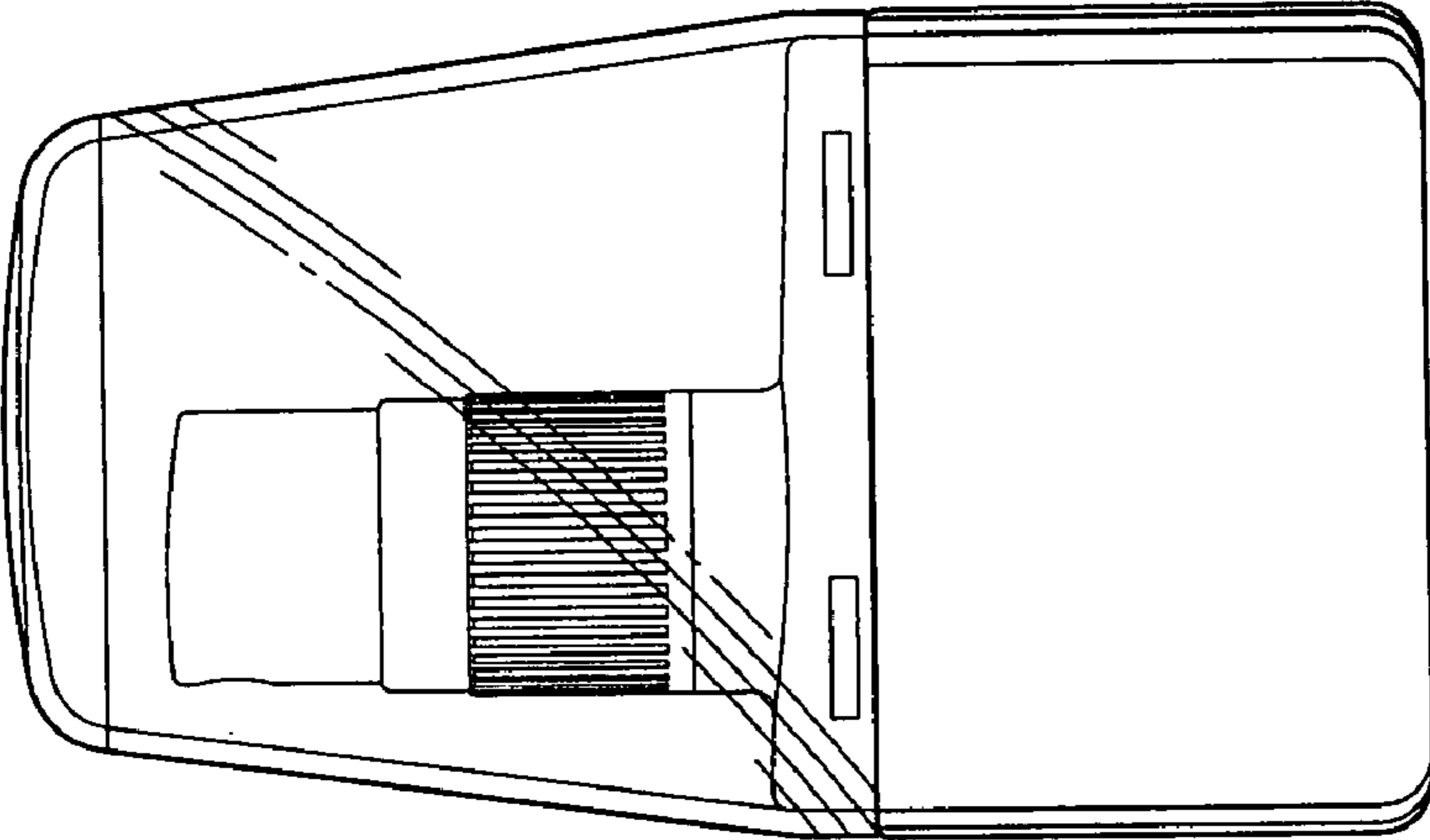


FIG. 5

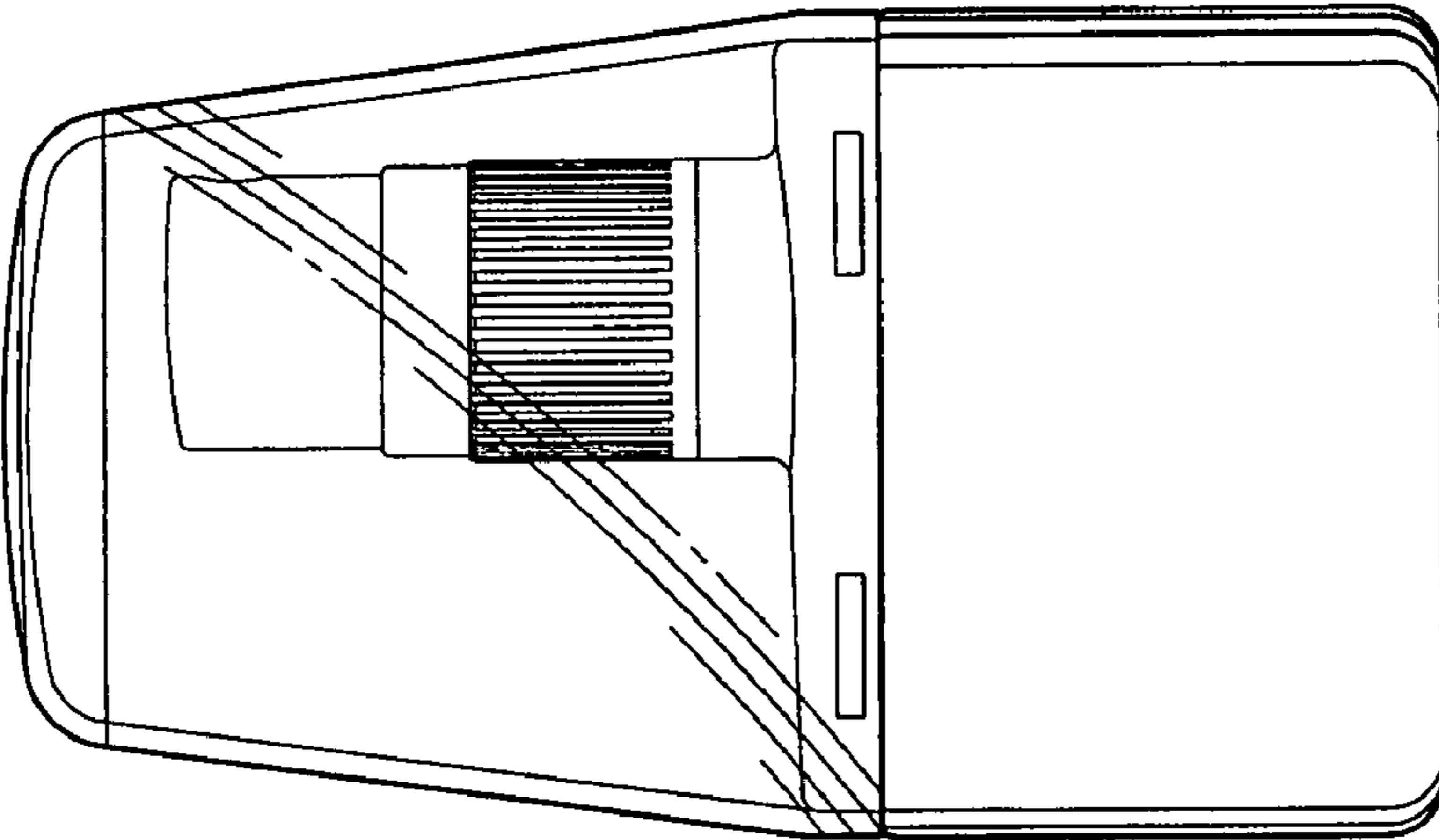


FIG. 4

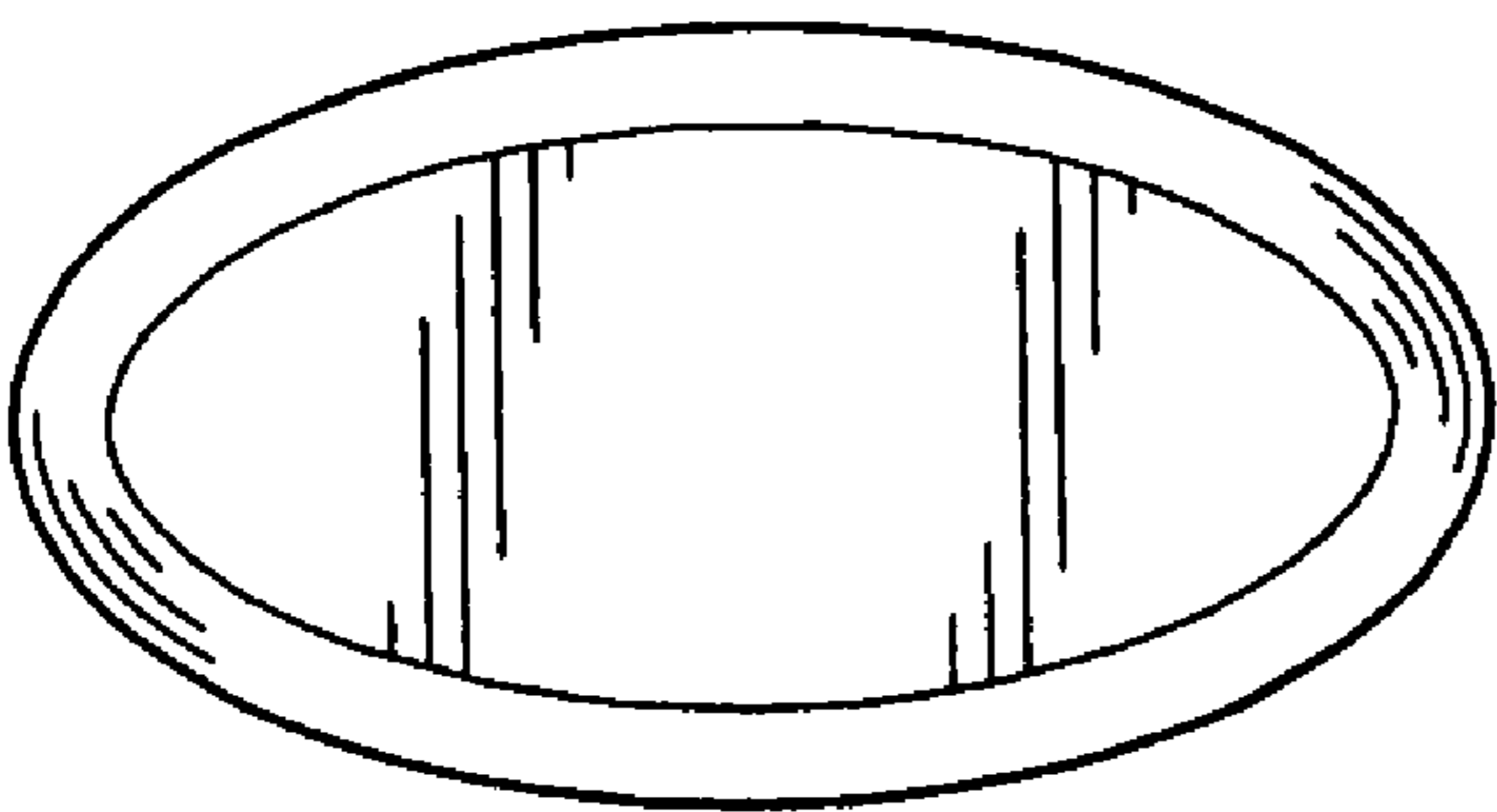


FIG. 7

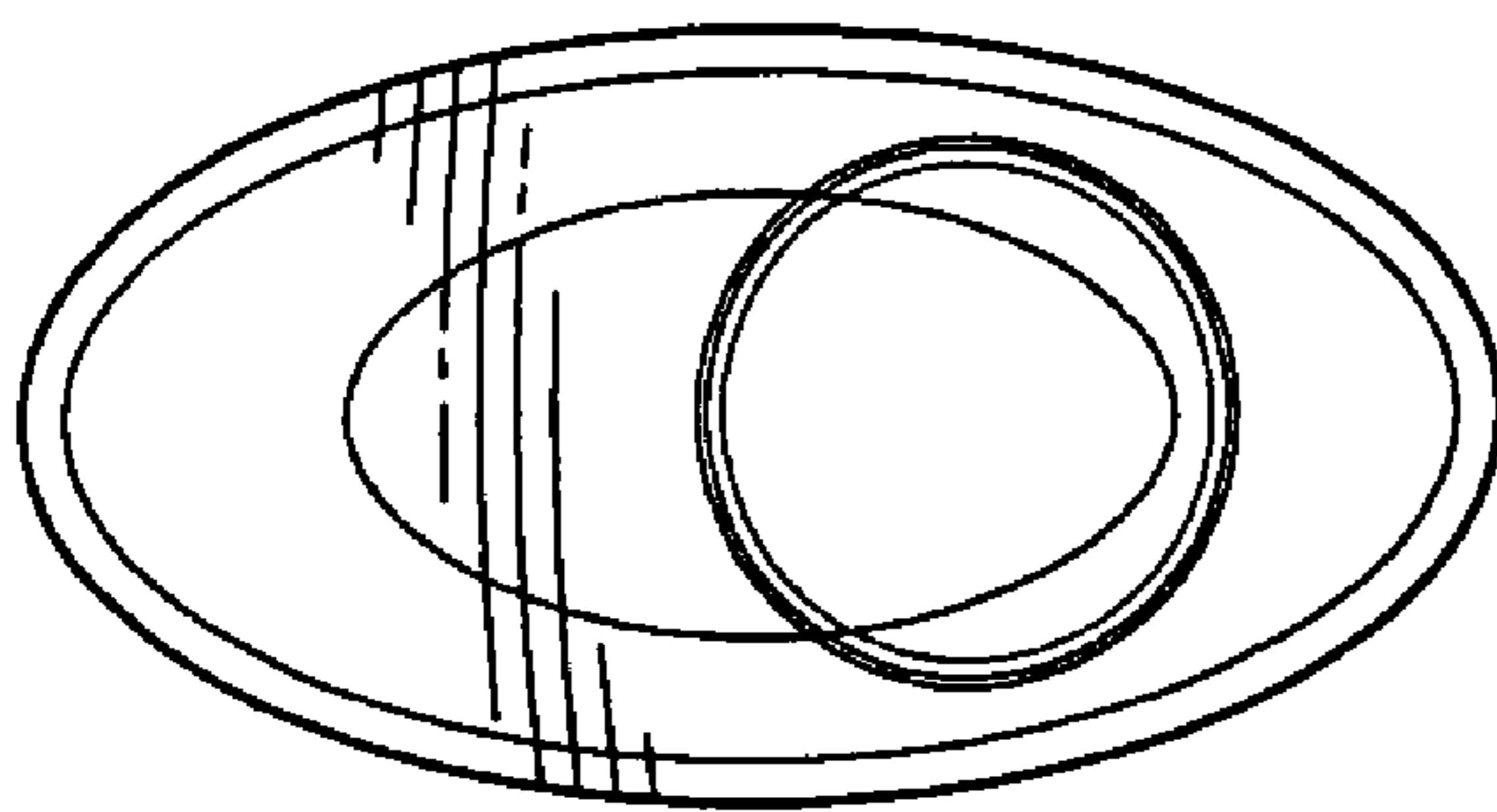


FIG. 6

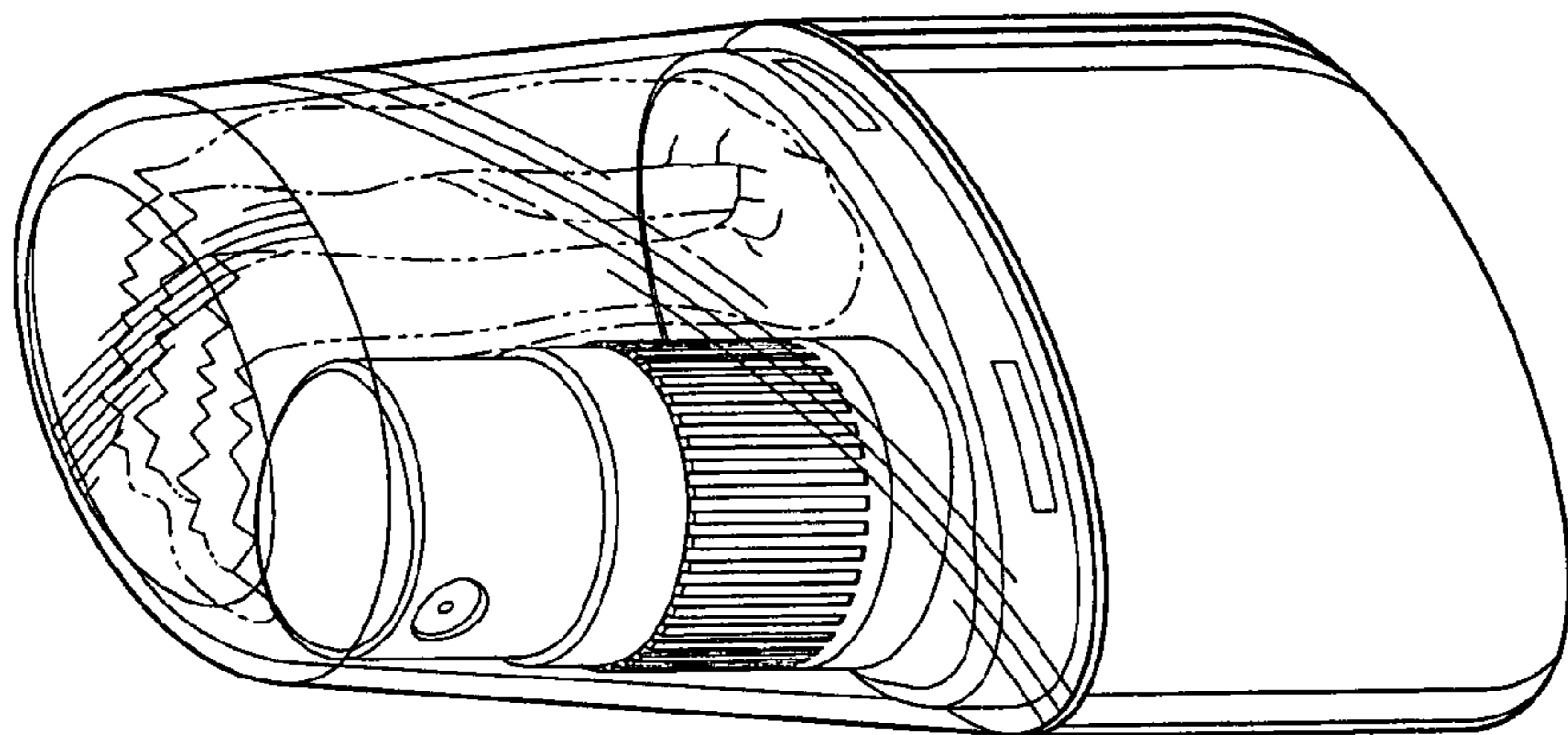


FIG. 8