



US00D579162S

(12) **United States Design Patent**
Schoettler

(10) **Patent No.:** **US D579,162 S**
(45) **Date of Patent:** **** Oct. 21, 2008**

(54) **VACUUM CLEANER WITH ATTACHED AIR FILTER**
(75) Inventor: **John Schoettler**, Los Alamitos, CA (US)
(73) Assignee: **Schoettler Research & Engineering Co.**, Huntington Beach, CA (US)

D318,544 S 7/1991 Schoettler
D399,616 S 10/1998 Bobrosky et al.
D416,113 S 11/1999 Puri
D424,764 S 5/2000 Collins et al.
D432,746 S 10/2000 Frey
6,145,160 A 11/2000 Buss et al.
D477,443 S 7/2003 Kondo et al.

(**) Term: **14 Years**
(21) Appl. No.: **29/291,458**
(22) Filed: **Aug. 29, 2007**

Primary Examiner—Ruth McInroy
(74) *Attorney, Agent, or Firm*—Christie, Parker & Hale, LLP.

(51) **LOC (8) Cl.** **15-05**
(52) **U.S. Cl.** **D32/24**
(58) **Field of Classification Search** D32/21,
D32/23–24, 31; 15/314–315, 319, 320–323,
15/340.1, 327.1, 327.6, 327.7, 345, 347,
15/353, 355, 388, 410–412; 55/345, 429
See application file for complete search history.

(57) **CLAIM**

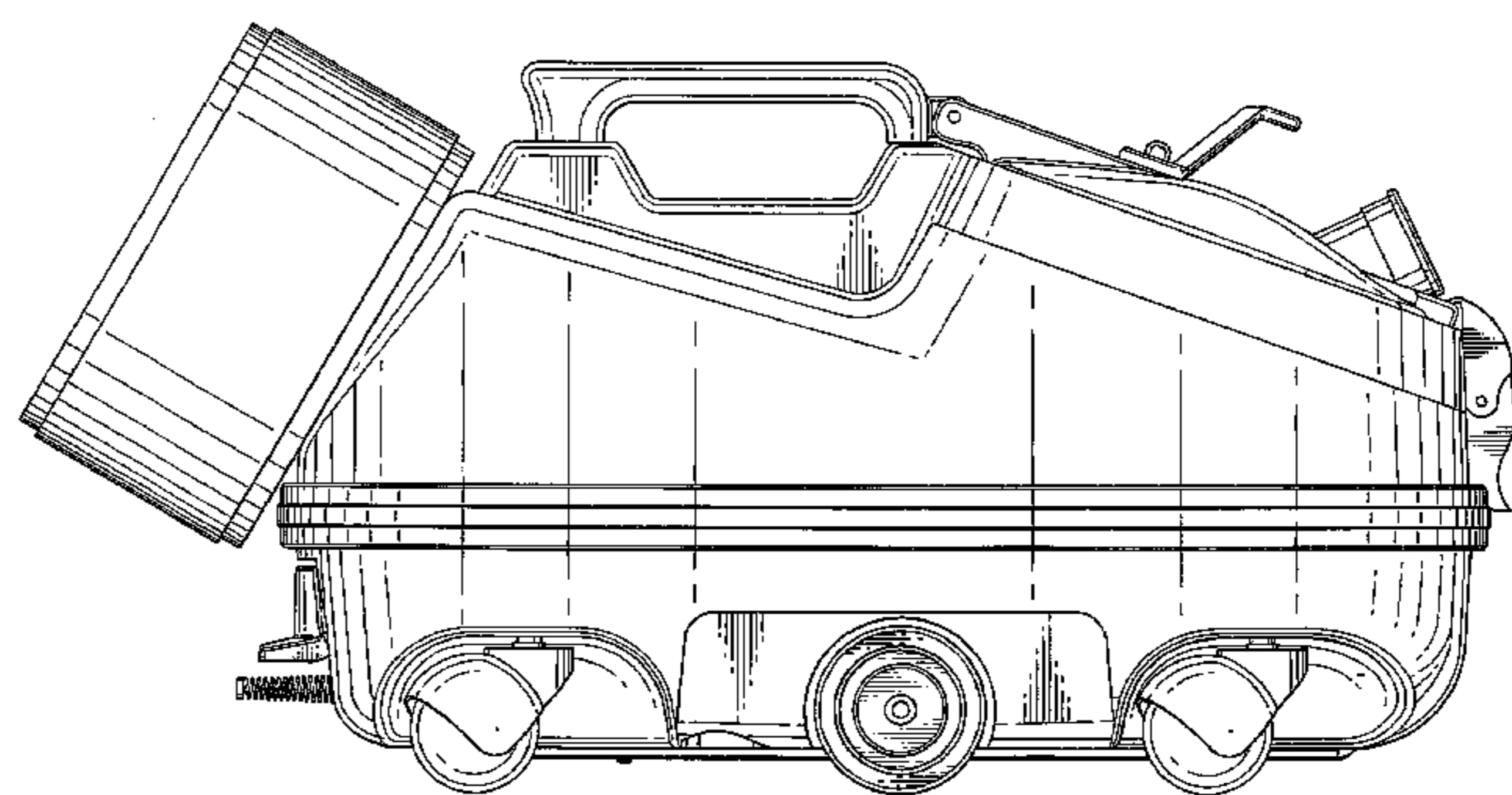
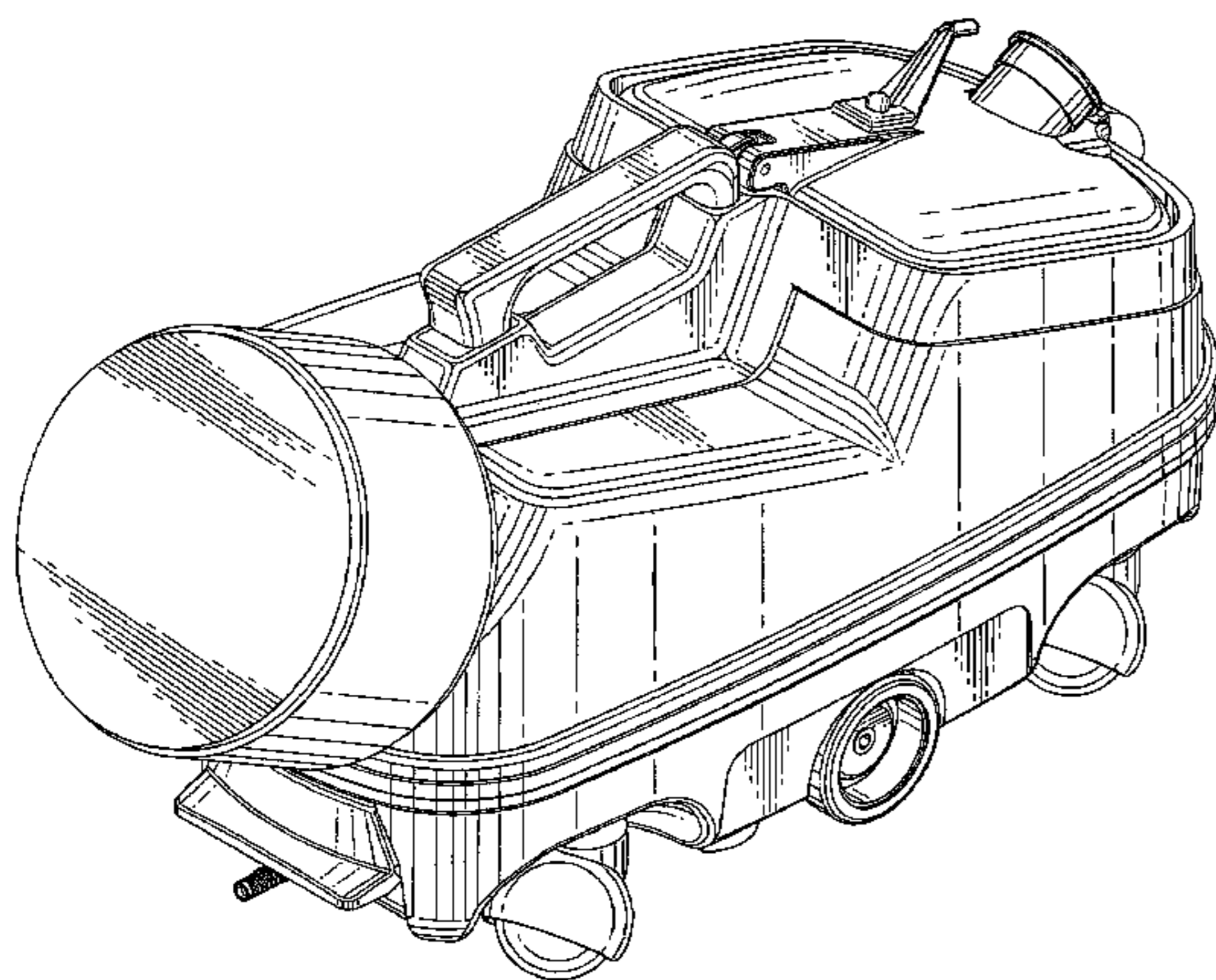
The ornamental design for a vacuum cleaner with attached air filter, as shown and described.

DESCRIPTION

FIG. 1 is a perspective view showing the side, top, and rear thereof, with an attached air filter;
FIG. 2 is a side elevational view thereof; the opposite side thereof being a mirror image of the view shown in FIG. 2;
FIG. 3 is a front elevational view thereof;
FIG. 4 is a rear elevational view thereof; and,
FIG. 5 is a top plan view thereof.

(56) **References Cited**
U.S. PATENT DOCUMENTS
D208,529 S 9/1967 Schoettler
D279,321 S 6/1985 Schoettler

1 Claim, 5 Drawing Sheets



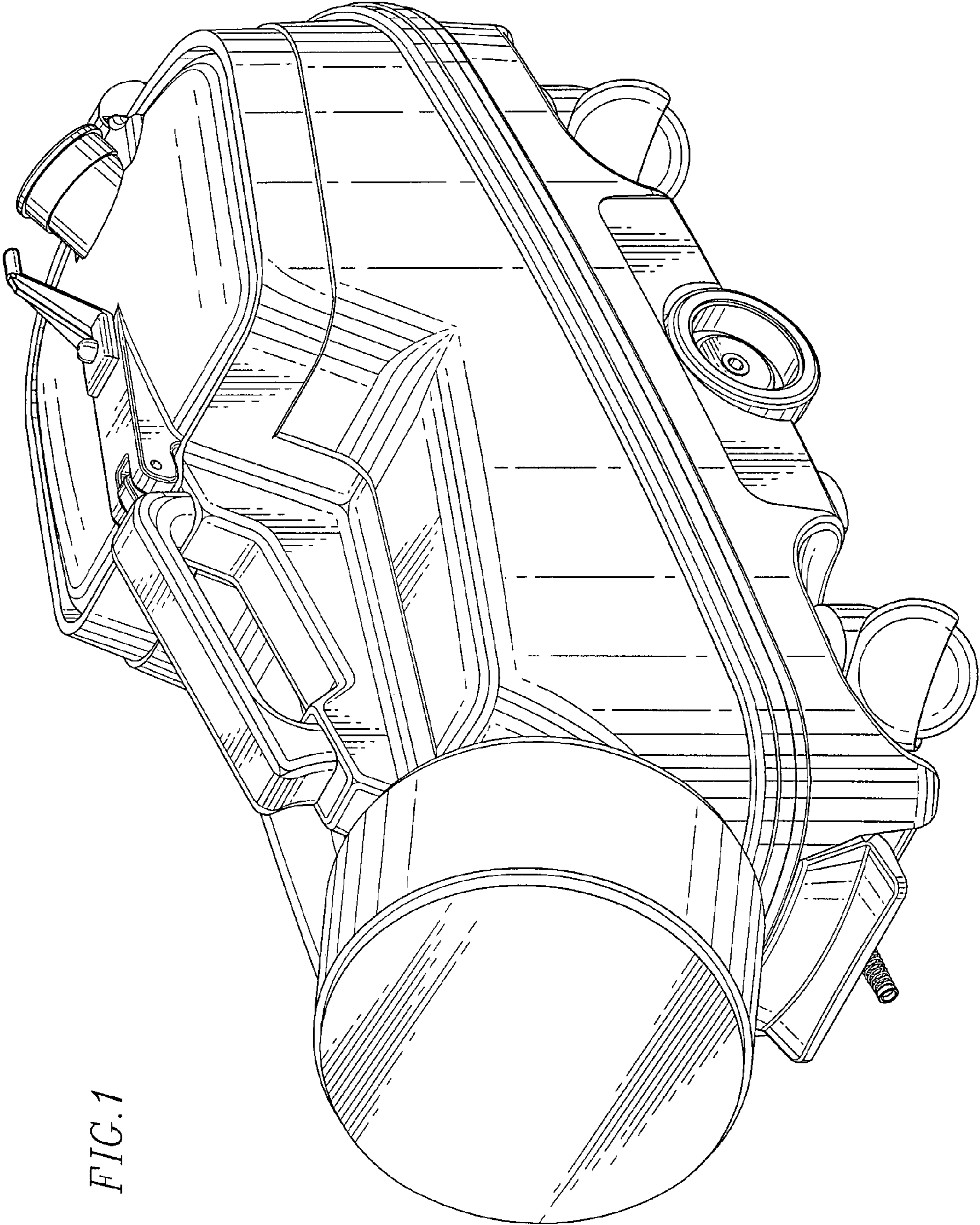
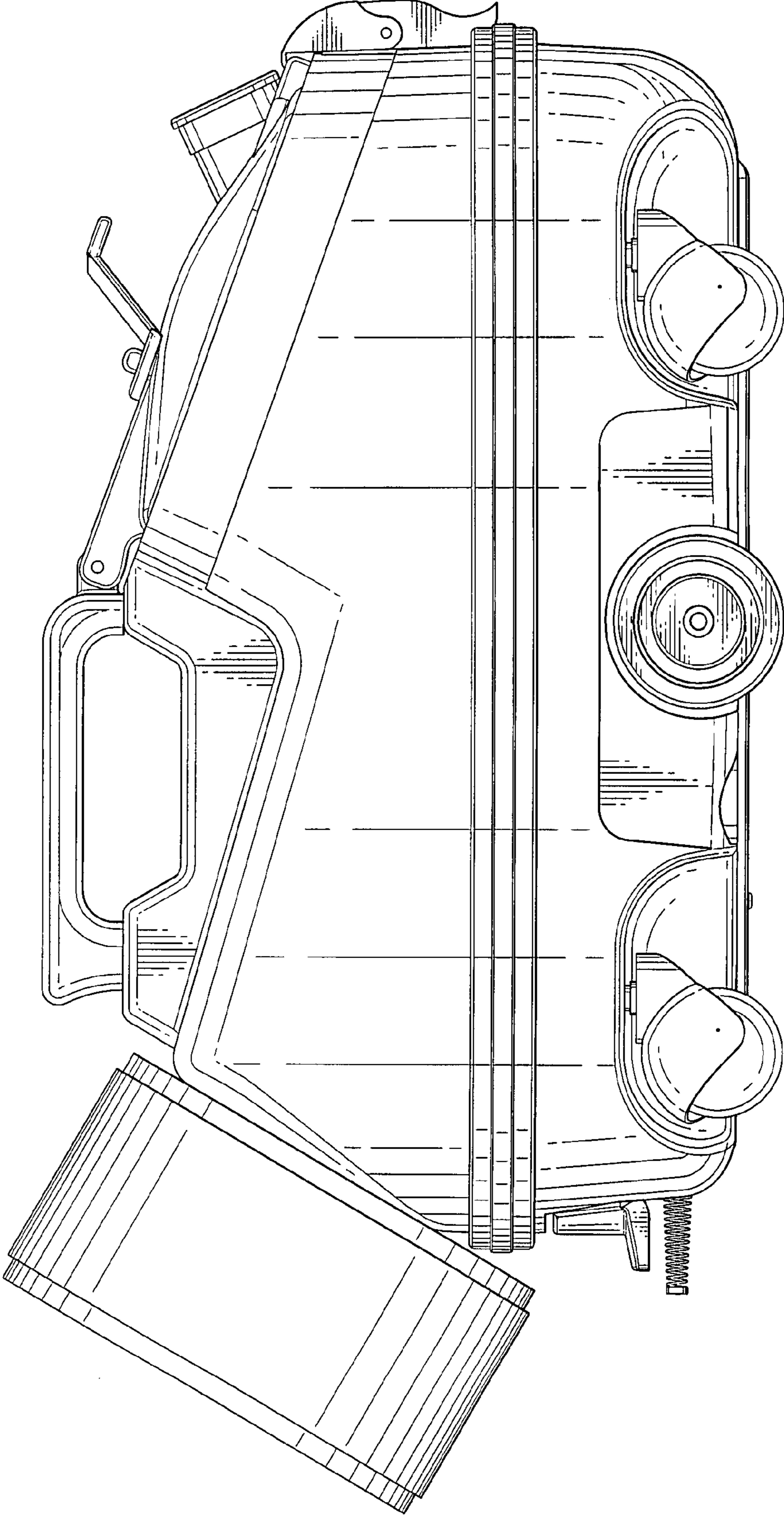


FIG.1

FIG. 2



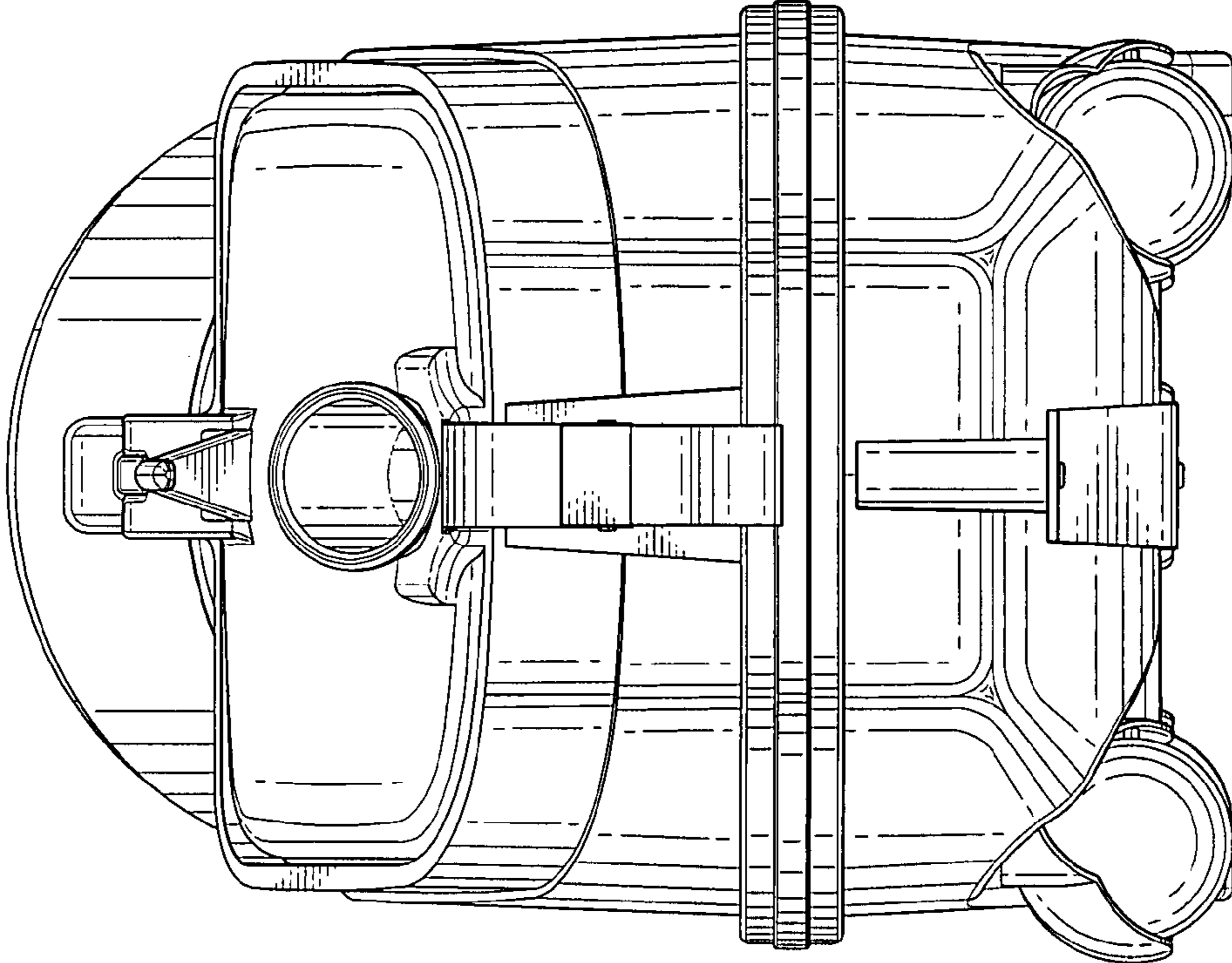


FIG. 3

FIG. 4

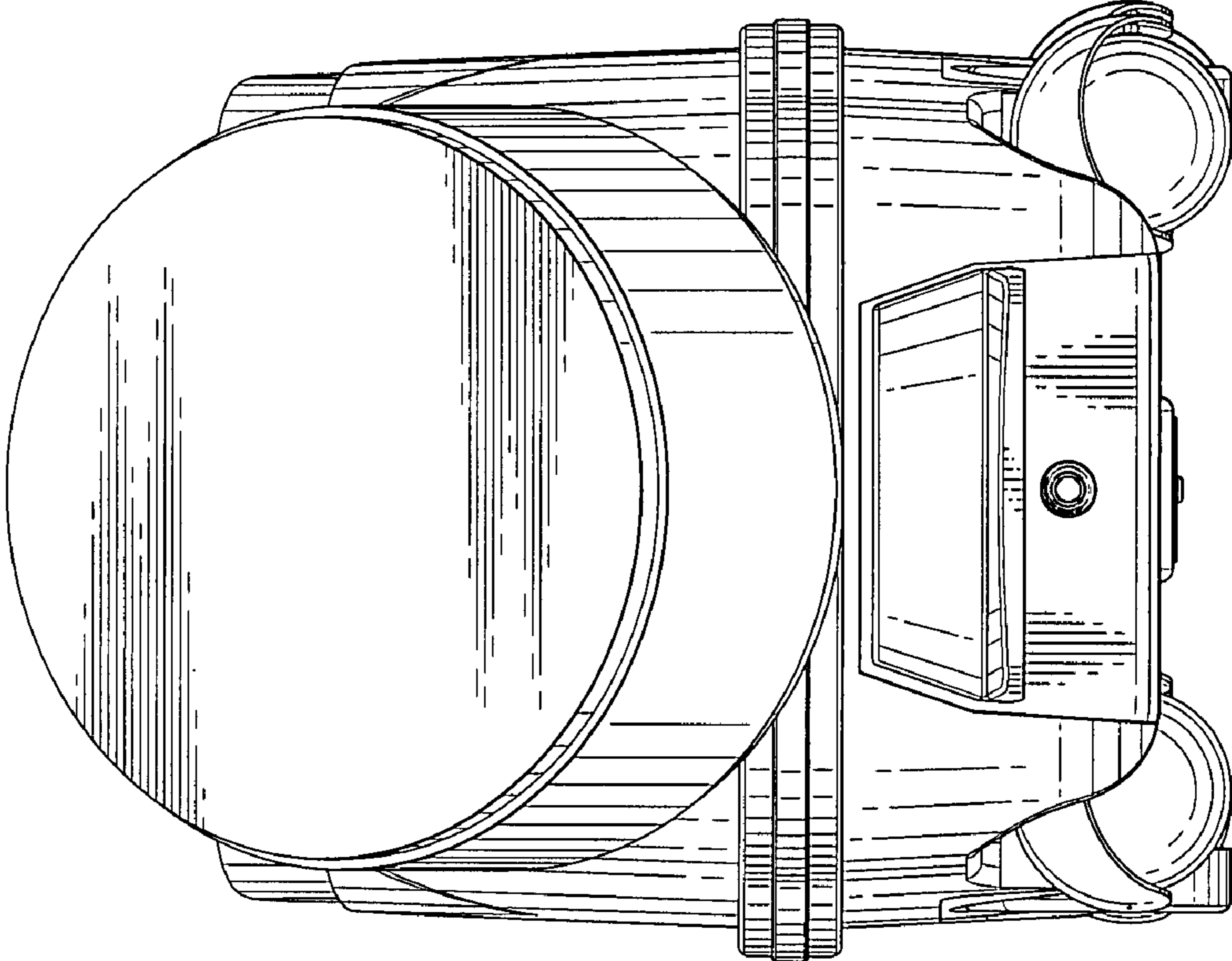


FIG. 5

