



US00D579160S

(12) **United States Design Patent**  
**Lebot et al.**

(10) **Patent No.:** **US D579,160 S**  
(45) **Date of Patent:** **\*\* Oct. 21, 2008**

(54) **STEAM GENERATING BASE FOR A LAUNDRY IRON**

(75) Inventors: **Laurent Lebot**, Nantes (FR); **Victor Massip**, Nantes (FR)

(73) Assignee: **Calor**, Lyons (FR)

(\*\*) Term: **14 Years**

(21) Appl. No.: **29/278,247**

(22) Filed: **Mar. 23, 2007**

(30) **Foreign Application Priority Data**

Oct. 10, 2006 (FR) ..... 06 4585

(51) **LOC (8) Cl.** ..... **15-05**

(52) **U.S. Cl.** ..... **D32/9**

(58) **Field of Classification Search** ..... D32/9,  
D32/68-73, 17-18, 21, 23-24, 31-33; 68/5 R,  
68/222, 5 A; 38/85, 82, 77.8, 81, 94, 77.83,  
38/79, 96; 392/405, 324, 333, 342, 379,  
392/403; 219/259, 242, 254, 246; 8/149.3;  
15/344, 329, 320-322, 415.1-422.1, 327.1-327.2,  
15/327.6-627.7

See application file for complete search history.

(56) **References Cited**

**U.S. PATENT DOCUMENTS**

D315,434 S \* 3/1991 Paulin ..... D32/68  
D380,068 S \* 6/1997 Gudfin ..... D32/9  
D404,864 S \* 1/1999 Gudfin ..... D32/73  
D451,653 S \* 12/2001 Berreth et al. .... D32/17  
7,114,274 B2 \* 10/2006 Kobayashi et al. .... 38/96

**OTHER PUBLICATIONS**

Design Registration No. 000026562-0002, published on Aug. 5, 2003, entitled "Steam Generators for Irons" in the name of Koninklijke Philips Electronics N.V., pp. 1-2.

Design Registration No. 000046917-0001, published on Nov. 11, 2003, entitled "Boilers for Irons" in the name of EKO S.p.A., pp. 1-2.

Design Registration No. 000046917-0002, published on Nov. 11, 2003, entitled "Boilers for Irons" in the name of EKO S.p.A., pp. 1-2.

Design Registration No. 000067343-0002, published on Jul. 13, 2004, entitled Steam Generators in the name of Braun GmbH, pp. 1-2.

Design Registration No. 000107636-0001, published on Feb. 24, 2004, entitled "Stands for Flat-Irons" in the name of De'Longhi S.p.A., pp. 1-2.

Design Registration No. 000204177-0002, published on Dec. 14, 2004, entitled "Steam Generators for Irons" in the name of Kenwood Limited, pp. 1-2.

Design Registration No. 000204177-0004, published on Dec. 14, 2004, entitled "Steam Generators for Irons" in the name of Kenwood Marks Limited, pp. 1-2.

Design Registration No. 000251681-0001, published on Apr. 19, 2005, entitled "Steam Generators for Irons" in the name of Calor, pp. 1-2.

Design Registration No. 000302344-0002, published on May 3, 2005, entitled "Steam Generators for Irons" in the name of Tunbow Electrical Limited, pp. 1-2.

(Continued)

*Primary Examiner*—Ruth McInroy

(74) *Attorney, Agent, or Firm*—Oblon, Spivak, McClelland, Maier & Neustadt, P.C.

(57) **CLAIM**

The ornamental design for a steam generating base for a laundry iron, as shown and described.

**DESCRIPTION**

FIG. 1 is a front, top, right perspective view of a steam generating base for a laundry iron, showing our design;

FIG. 2 is a rear, top, left perspective view thereof;

FIG. 3 is a left view thereof;

FIG. 4 is a right view thereof;

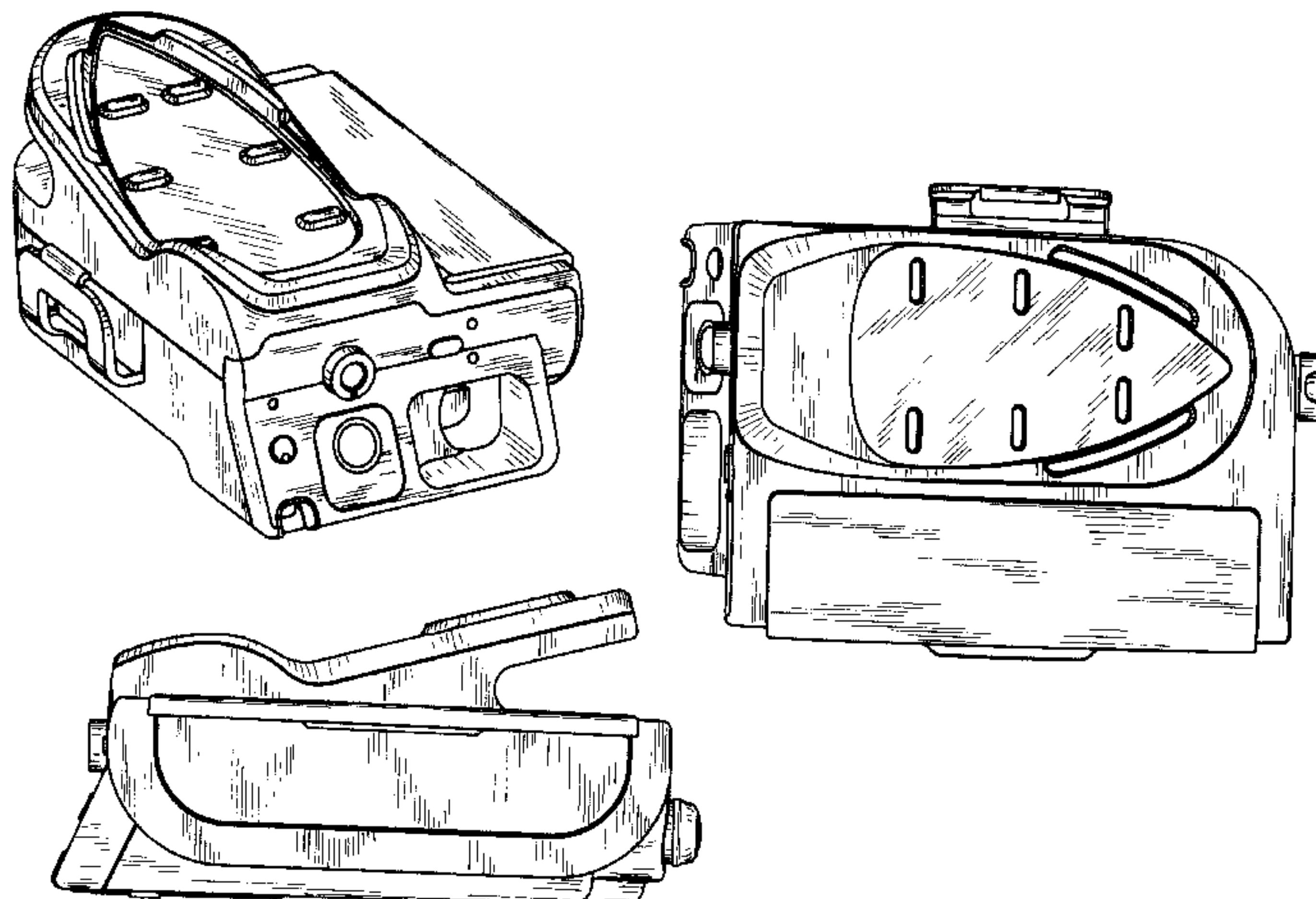
FIG. 5 is a front view thereof;

FIG. 6 is a rear view thereof;

FIG. 7 is a top view thereof; and,

FIG. 8 is a bottom view thereof.

**1 Claim, 8 Drawing Sheets**



OTHER PUBLICATIONS

Design Registration No. 000346036-0003, published on Jul. 26, 2005, entitled "Flat-Irons" in the name of Laurastar SA, pp. 1-2.

Design Registration No. 000346036-0004, published on Jul. 26, 2005, entitled "Flat-Irons" in the name of Laurastar SA, pp. 1-2.

Design Registration No. 000441670-0001, published on Jan. 24, 2006, entitled "Steam Irons with Steam Generators" in the name of Koninklijke Philips Electronics N.V., pp. 1-2.

Design Registration No. 000450051-0005, published on Feb. 21, 2006, entitled "Bases for Irons" in the name of Tunbow Electrical Limited, pp. 1-2.

Design Registration No. 000450051-0006, published on Feb. 21, 2006, entitled "Bases for Irons" in the name of Tunbow Electrical Limited, pp. 1-2.

Design Registration No. 000535018-0001, published on Jul. 4, 2006, entitled "Steam Generators for Irons" in the name of De Longhi S.p.A., pp. 1-2.

Design Registration No. 000535018-0010, published on Jul. 4, 2006, entitled "Steam Generators for Irons" in the name of De Longhi S.p.A., pp. 1-2.

Design Registration No. 000625496-0019, published on Dec. 26, 2006, entitled "Ironing and Pressing Equipment" in the name of Eletrodomesticos Taurus S.L., pp. 1-2.

Internet Printout, Kenwood—Rechargeable Steam Station—IC600 Stratum Multicare, publication date unknown, available Mar. 8, 2007.

Internet Printout, Kenwood—Stratum Garment and Fabric Care Centre—IC800 Stratum Multicare, publication date unknown, available Mar. 8, 2007.

Internet Printout, Kenwood—Rechargeable Steam Station—IC700 Stratum Multicare, publication date unknown, available Mar. 8, 2007.

Internet Printout, Shark Steam Station, Model G6200, publication date unknown, available Mar. 8, 2007.

\* cited by examiner



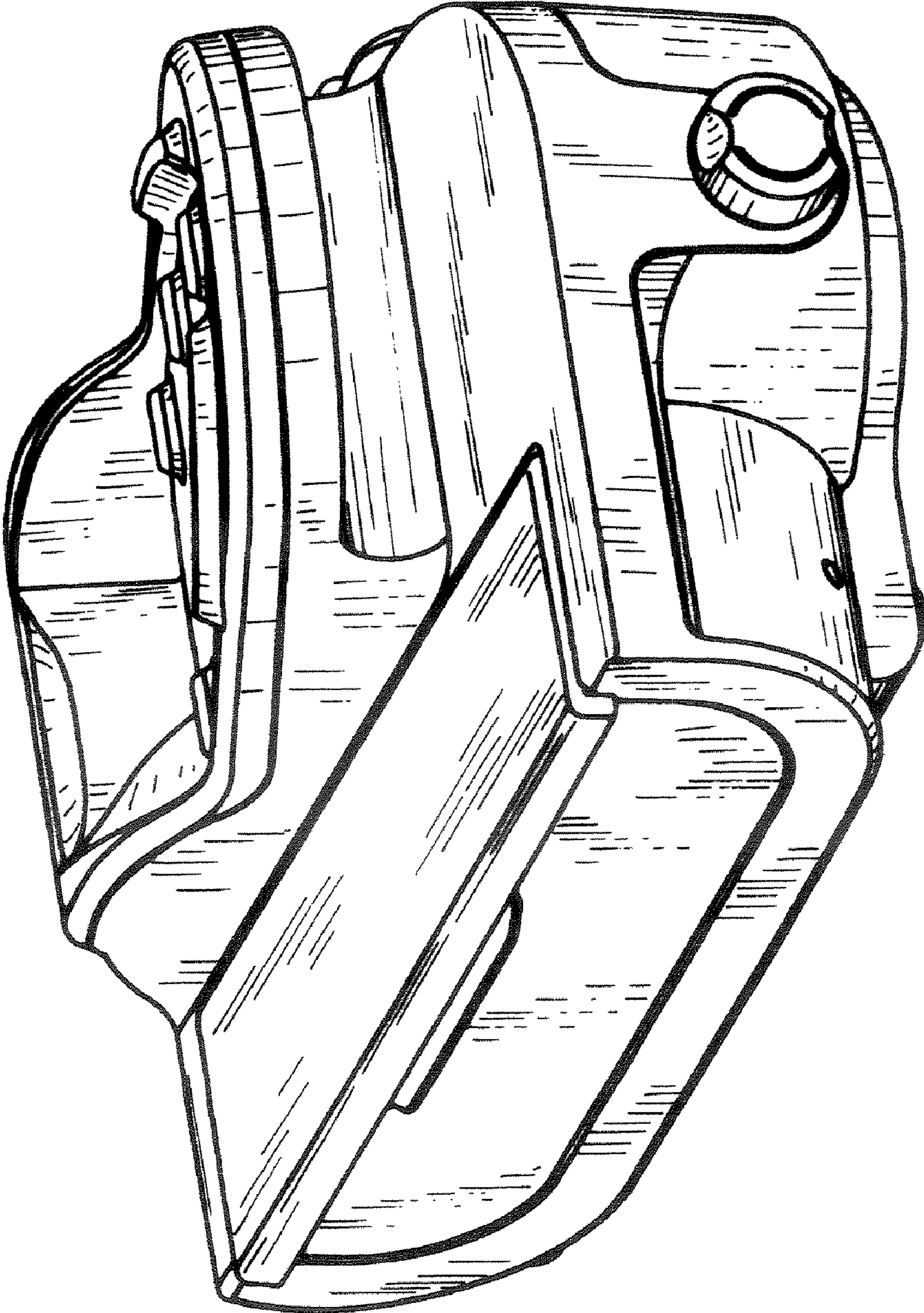


FIG. 1

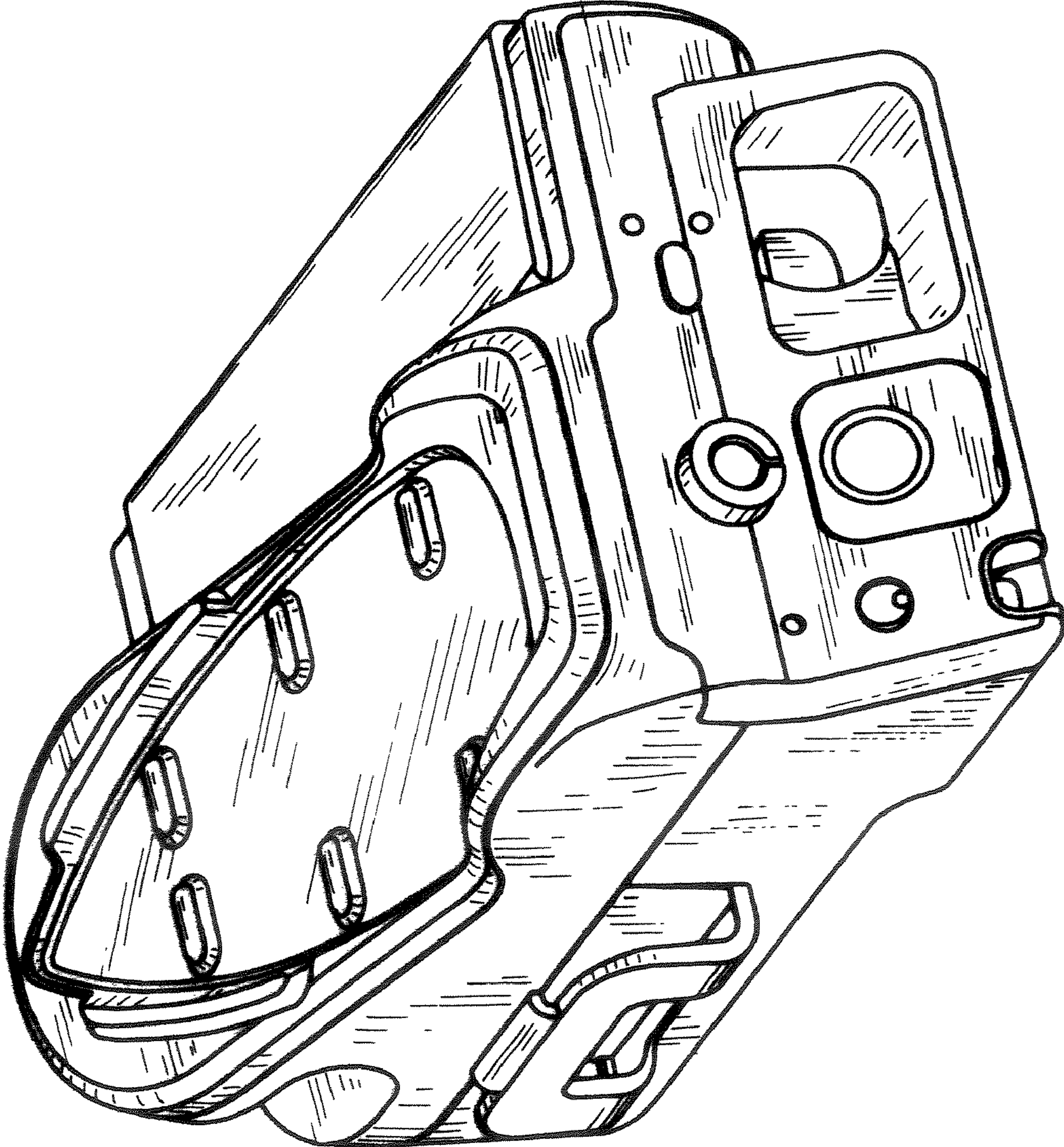


FIG. 2



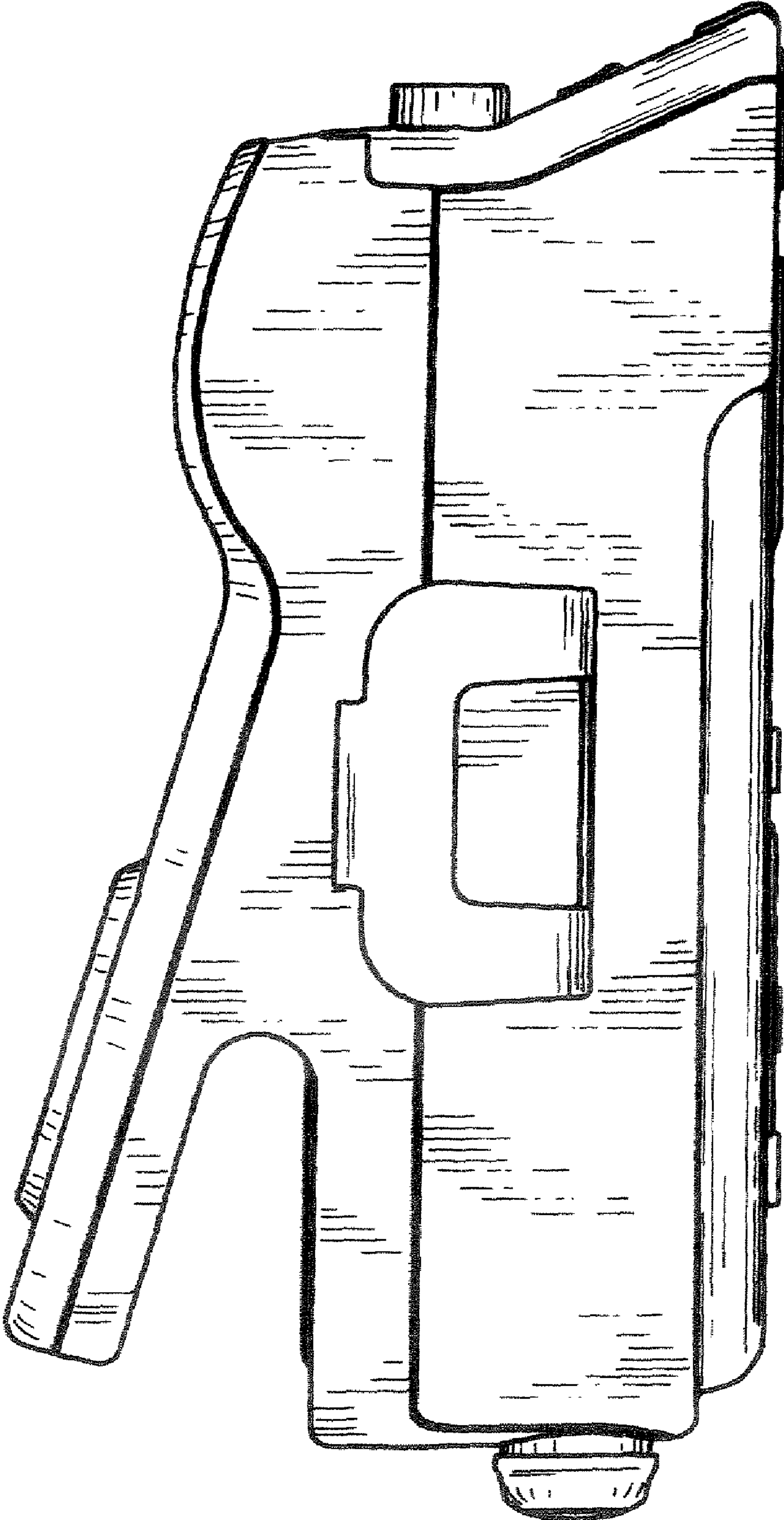


FIG. 3

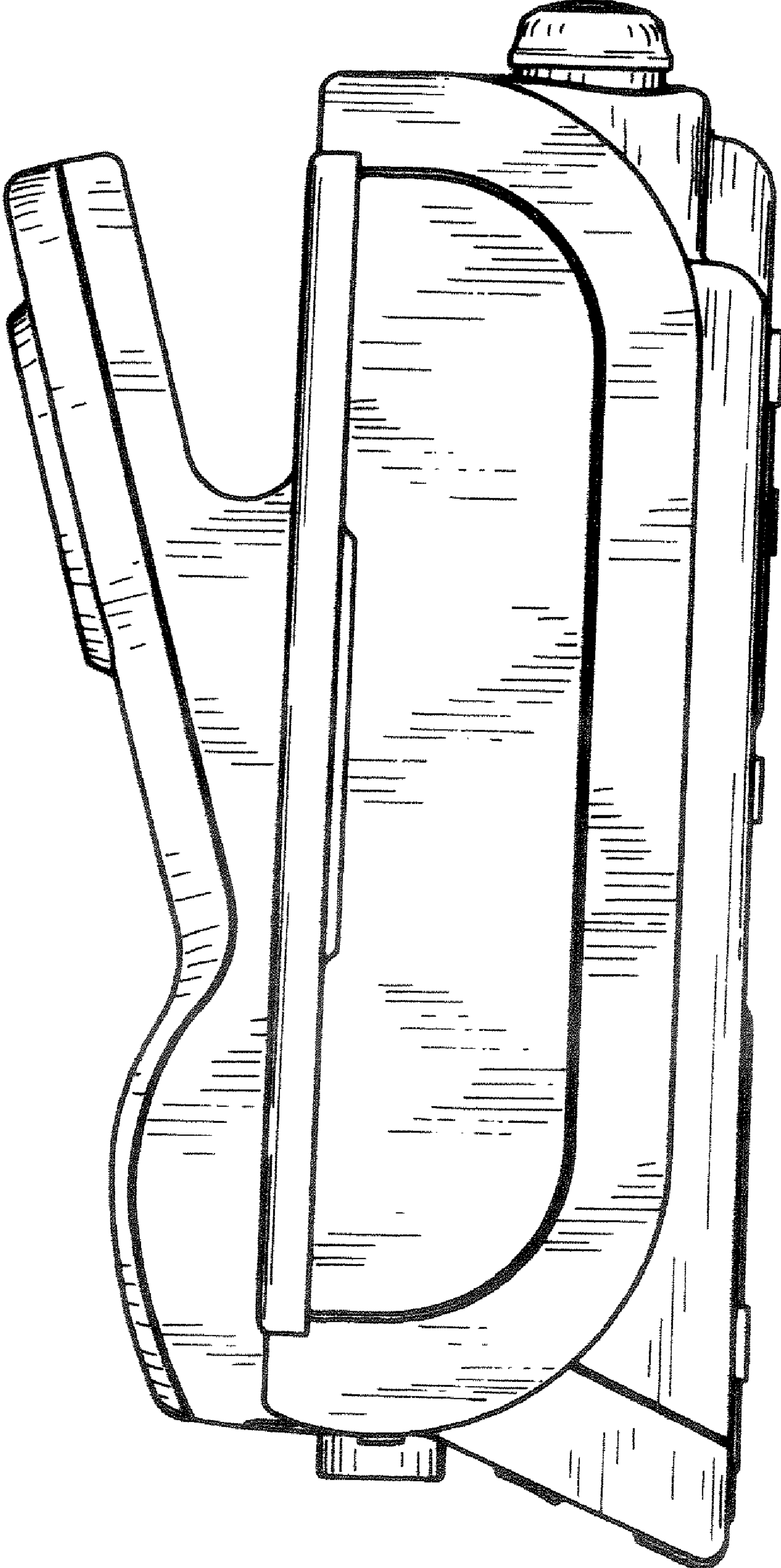


FIG. 4

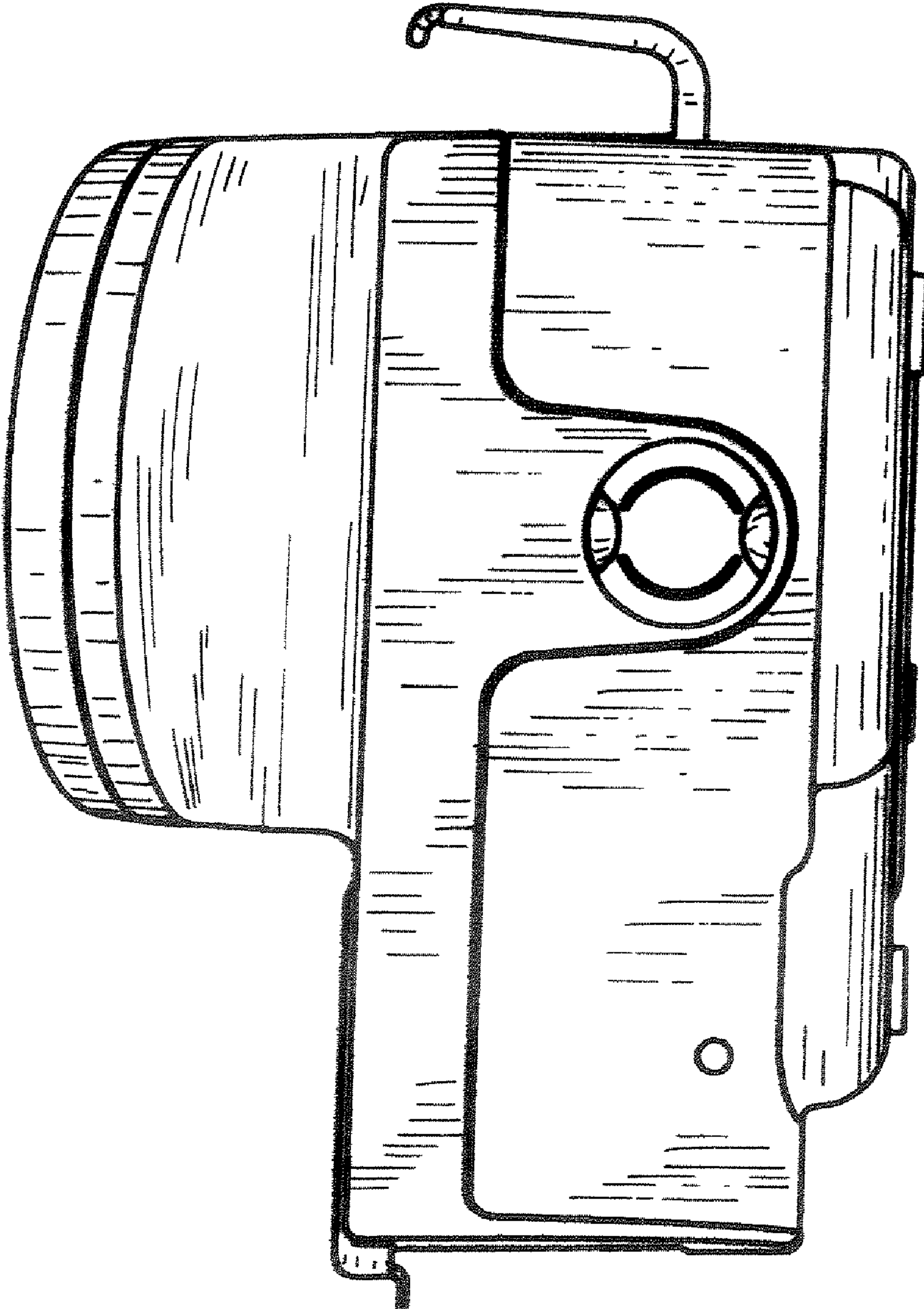


FIG. 5



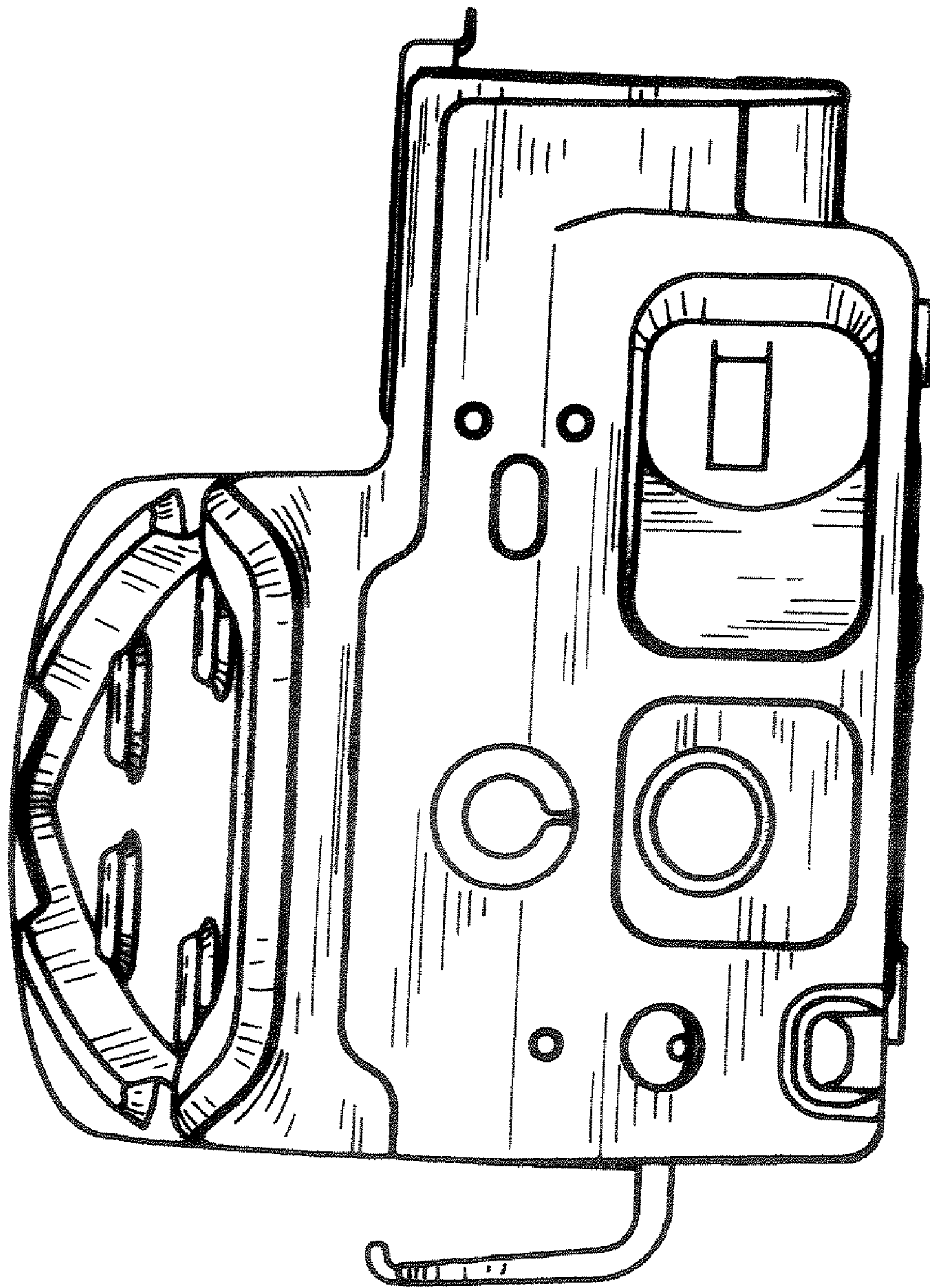


FIG. 6



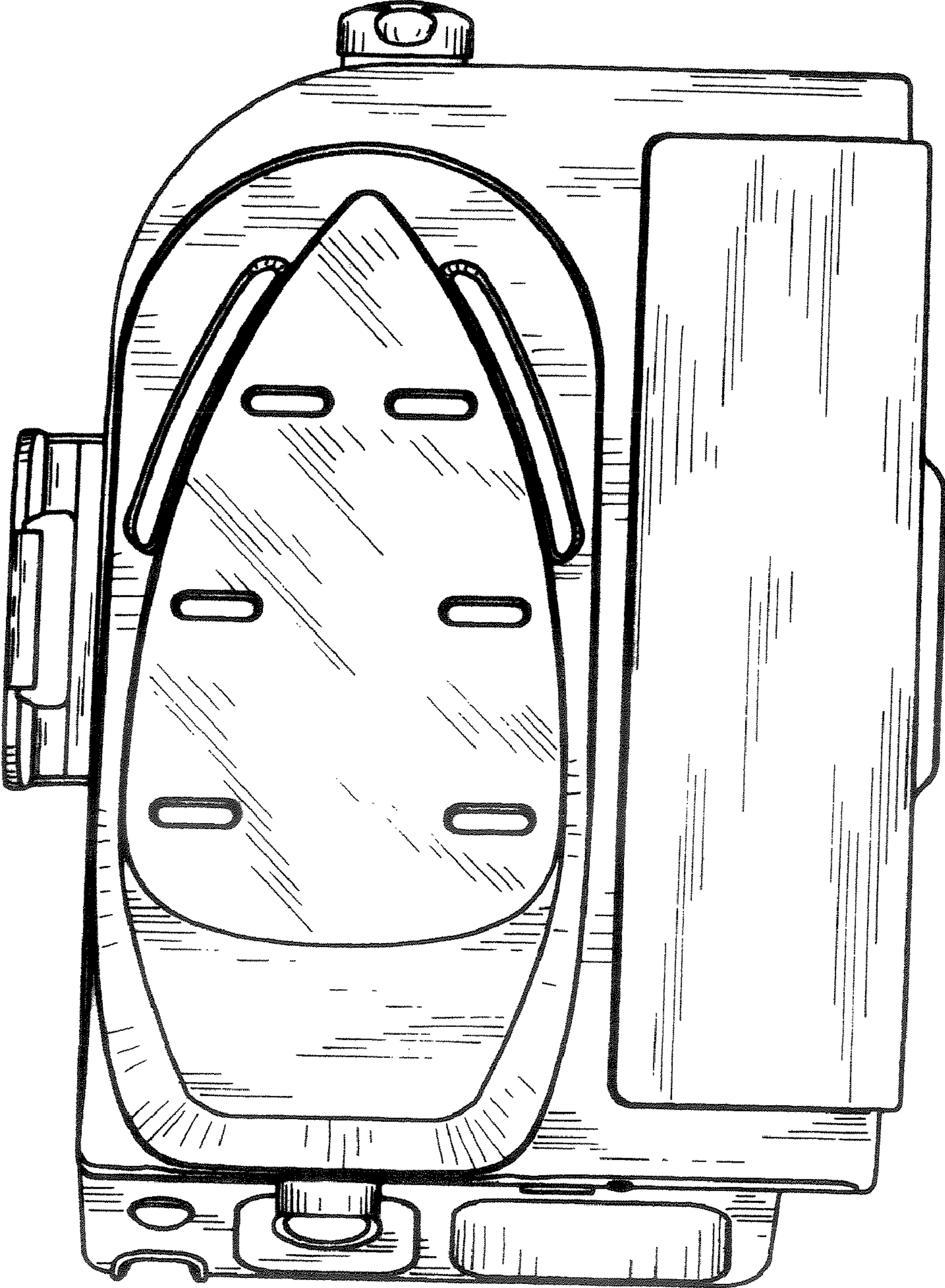


FIG. 7

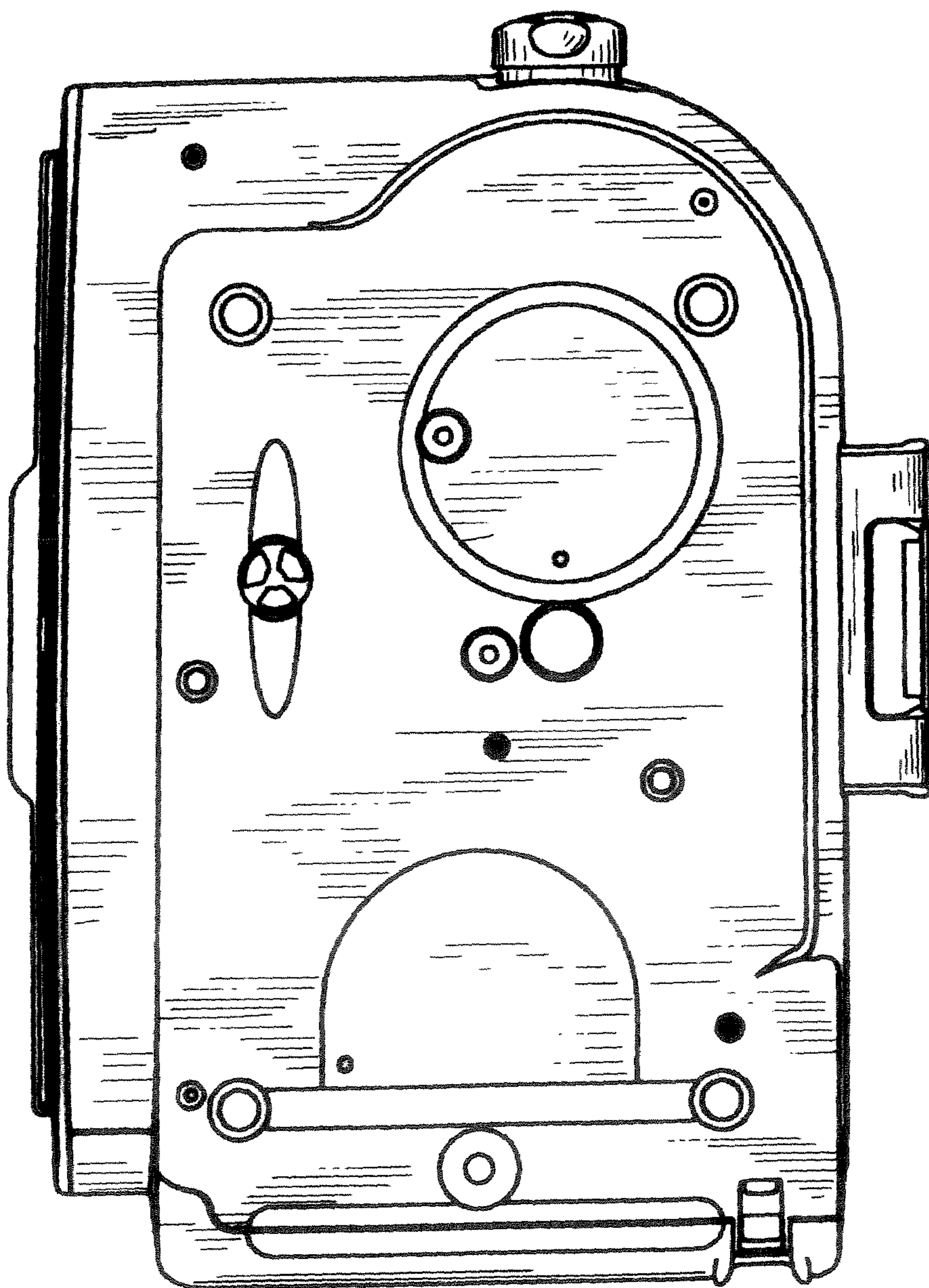


FIG. 8