



US00D579158S

(12) **United States Design Patent**
Gillis et al.

(10) **Patent No.:** **US D579,158 S**
(45) **Date of Patent:** **** Oct. 21, 2008**

- (54) **SEMICIRCULAR LITTER BOX**
- (75) Inventors: **Greg Gillis**, Escondido, CA (US);
Bradley J. Wahl, Huntington Beach, CA (US)
- (73) Assignee: **Radio Systems Corporation**, Knoxville, TN (US)
- (**) Term: **14 Years**
- (21) Appl. No.: **29/276,660**
- (22) Filed: **Jan. 31, 2007**

RE36,847 E	9/2000	Waters	
6,234,112 B1 *	5/2001	Emery	119/166
6,286,459 B1 *	9/2001	Parr	119/166
6,401,661 B1 *	6/2002	Emery	119/166
6,568,348 B1 *	5/2003	Bedard	119/166
6,837,180 B2 *	1/2005	Billi et al.	119/166
7,017,519 B1 *	3/2006	Deasy et al.	119/166
7,096,824 B1 *	8/2006	Deasy	119/166
7,128,022 B2 *	10/2006	Parr	119/166
7,137,355 B1 *	11/2006	Wan	119/166
2004/0177816 A1 *	9/2004	Parr	119/165
2005/0284389 A1 *	12/2005	Gillis et al.	119/166

* cited by examiner

Primary Examiner—Cathy Anne MacCormac
(74) *Attorney, Agent, or Firm*—Pitts & Brittian, P.C.

Related U.S. Application Data

- (62) Division of application No. 29/238,761, filed on Sep. 21, 2005.
 - (51) **LOC (8) Cl.** **30-99**
 - (52) **U.S. Cl.** **D30/161**
 - (58) **Field of Classification Search** D30/108,
D30/110-112, 117-119, 161; 119/28.5,
119/161-170, 482, 496, 499, 502, 512-513,
119/712
- See application file for complete search history.

(57) **CLAIM**

We claim the ornamental design for a semicircular litter box, as shown and described.

DESCRIPTION

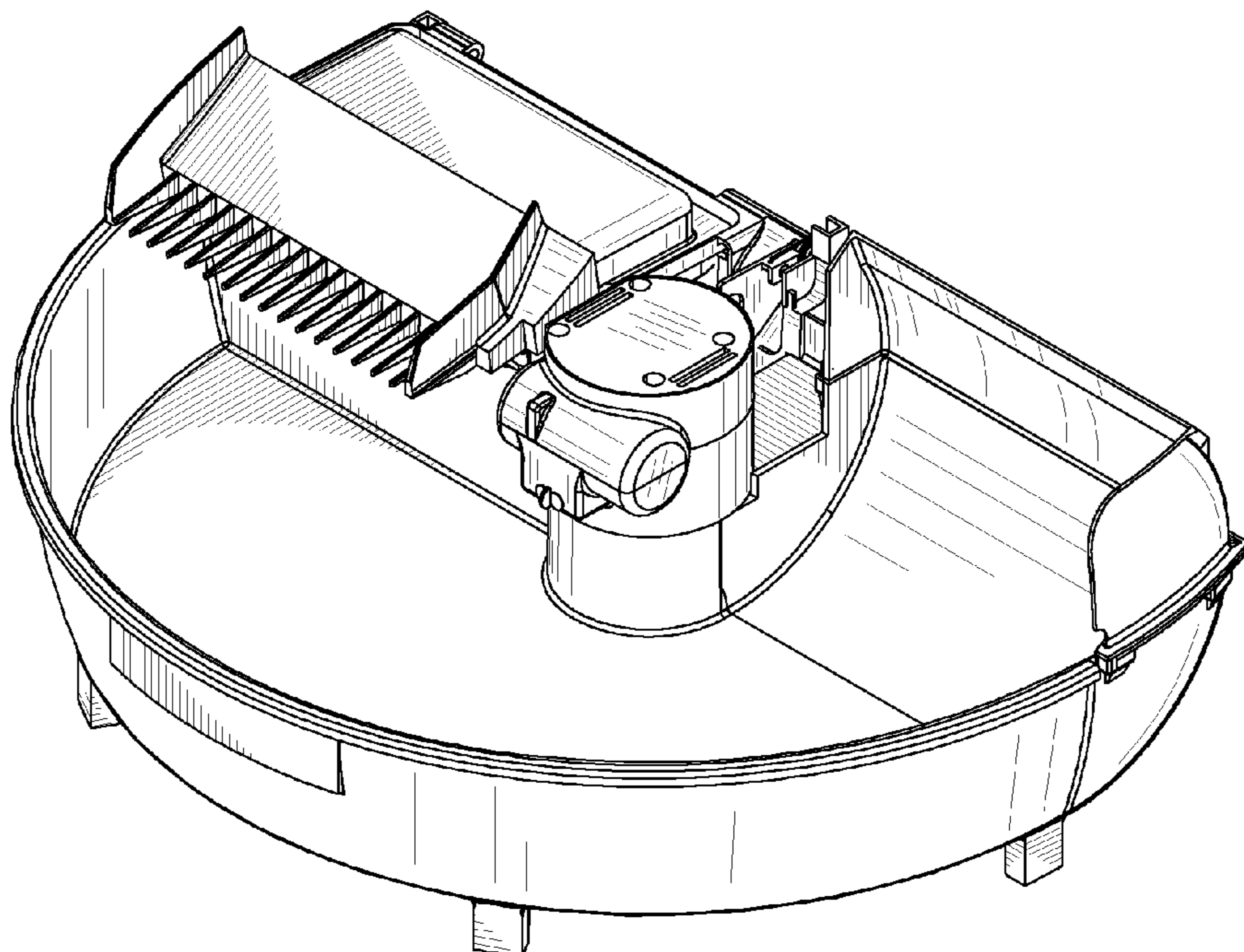
FIG. 1 is a perspective view of a first embodiment of the semicircular litter box of the present invention;
 FIG. 2 is a top plan view thereof;
 FIG. 3 is a bottom plan view thereof;
 FIG. 4 is a left side elevation view thereof;
 FIG. 5 is a right side elevation view thereof;
 FIG. 6 is a front elevation view thereof; and,
 FIG. 7 is a rear elevation view thereof.

1 Claim, 5 Drawing Sheets

(56) **References Cited**

U.S. PATENT DOCUMENTS

4,574,735 A *	3/1986	Hohenstein	119/163
5,048,465 A	9/1991	Carlisi	
5,226,388 A	7/1993	McDaniel	
5,931,119 A *	8/1999	Nissim et al.	119/163
6,082,302 A	7/2000	Thaler et al.	



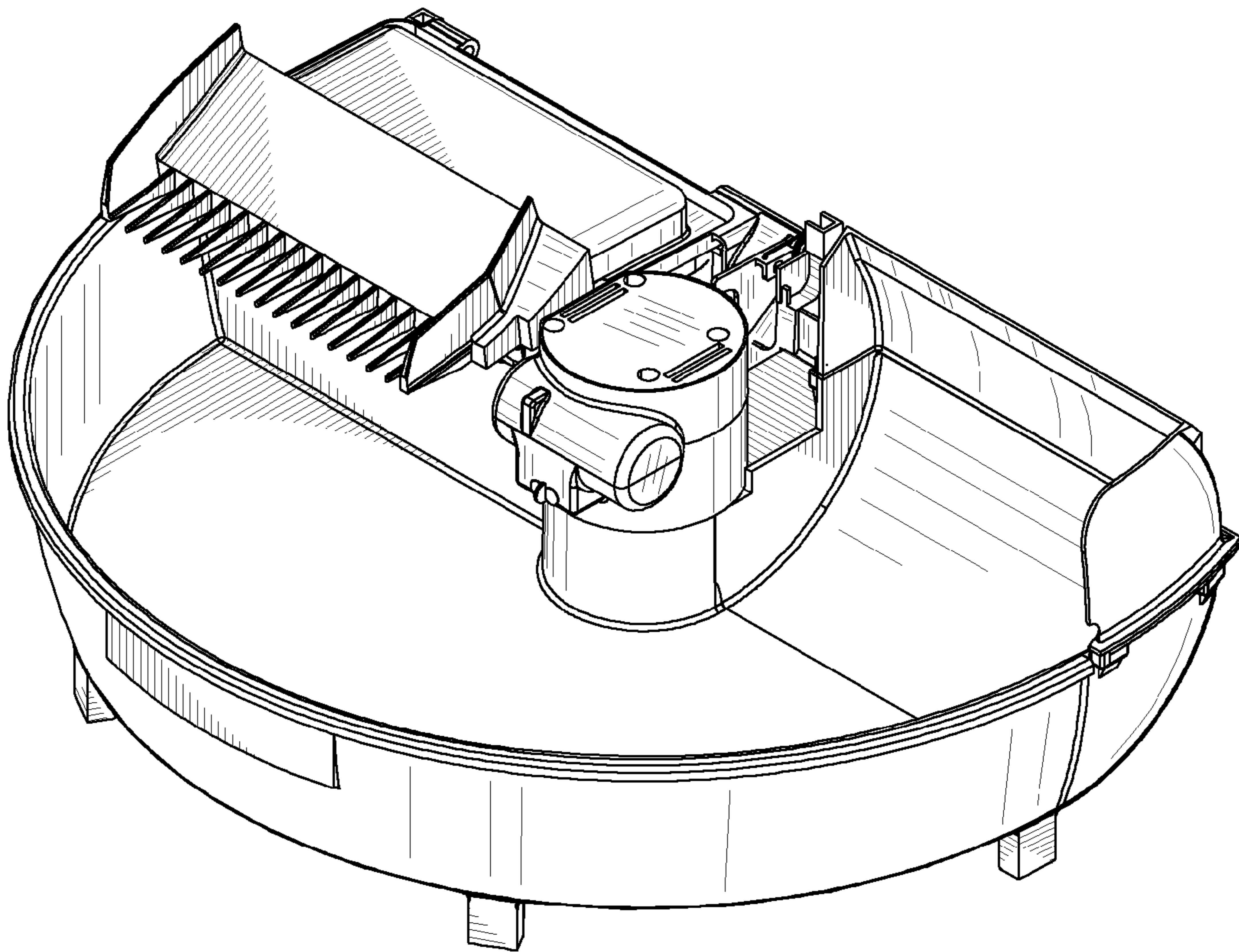


Fig.1

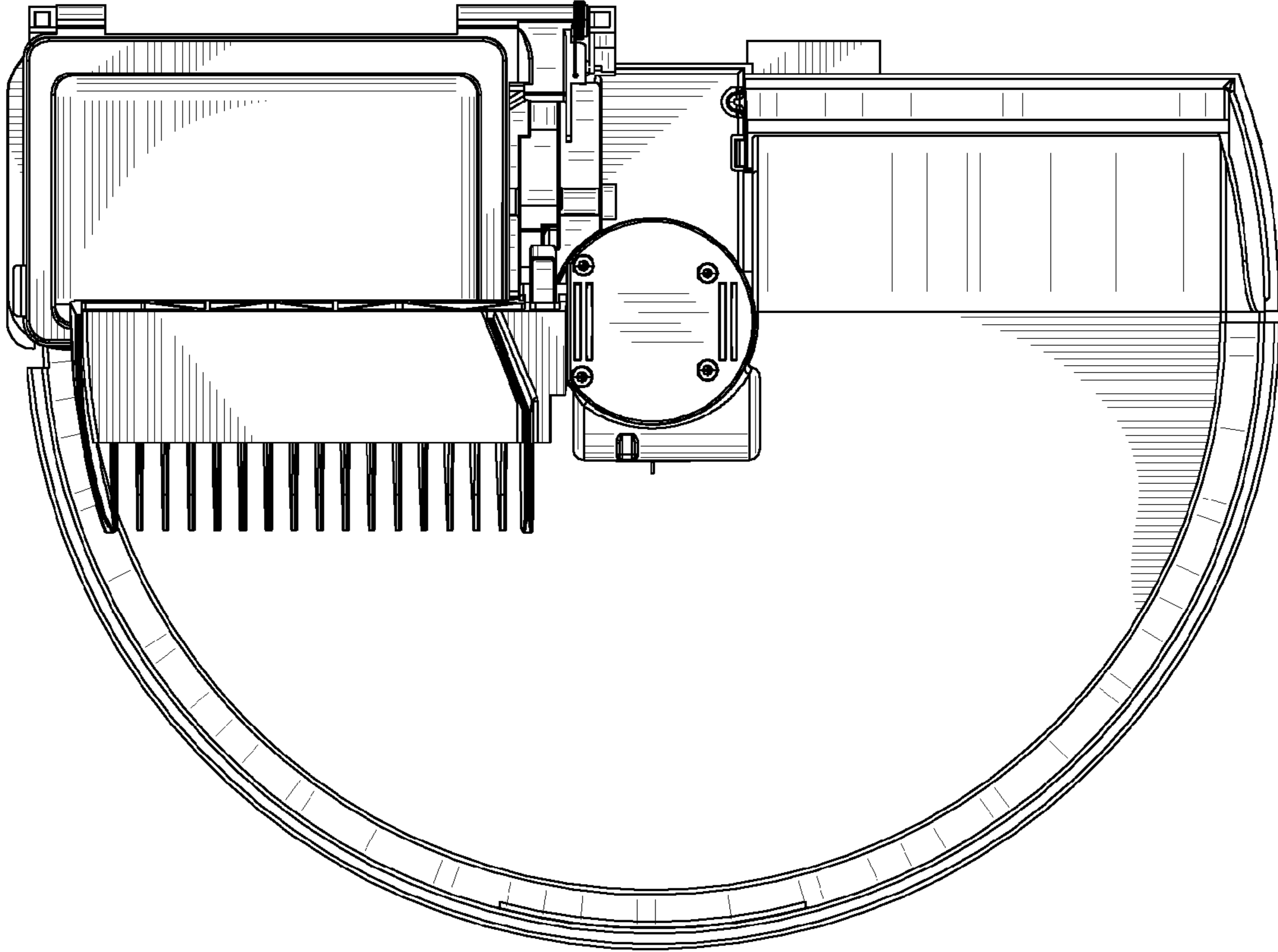


Fig.2

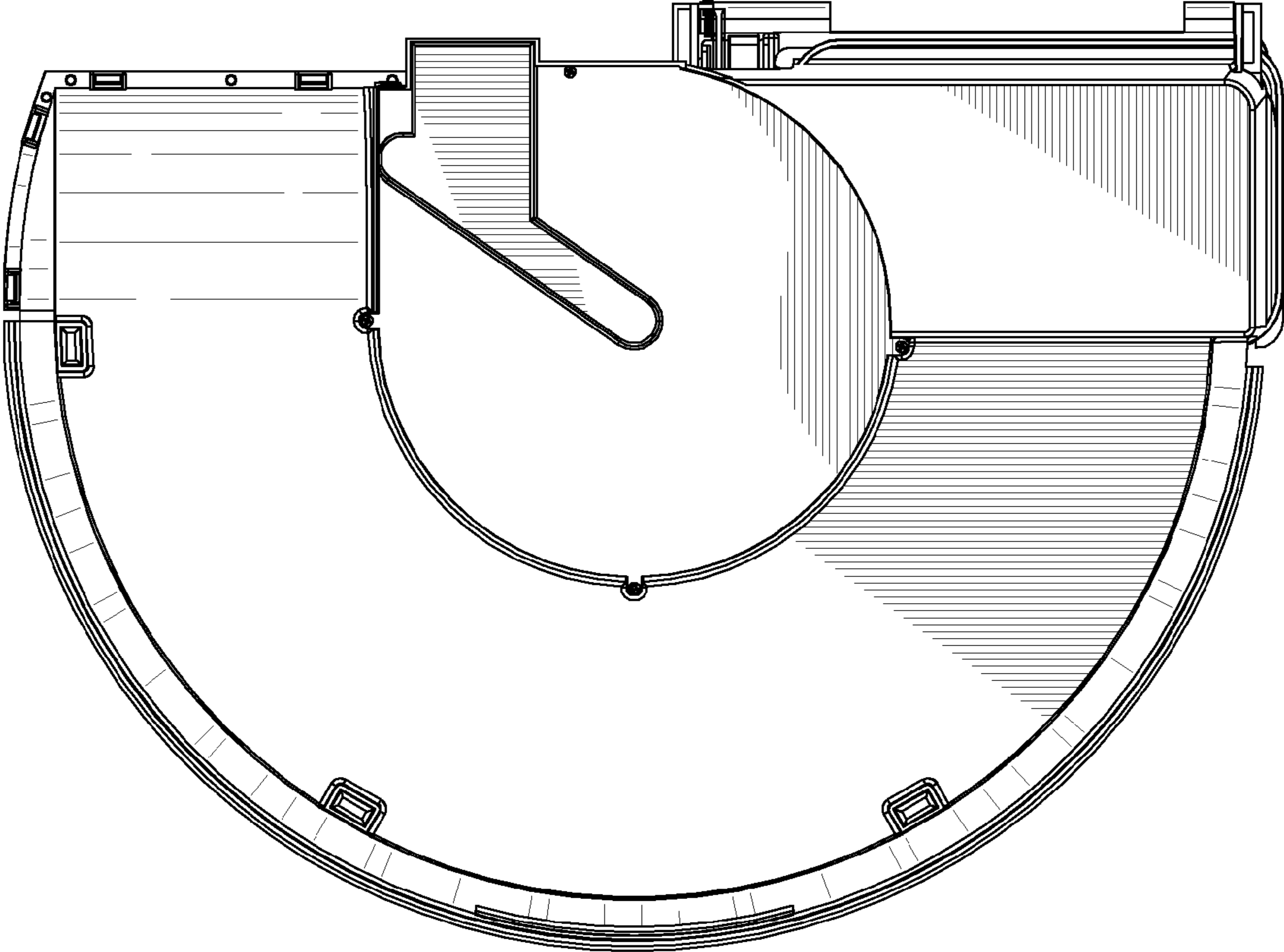


Fig.3

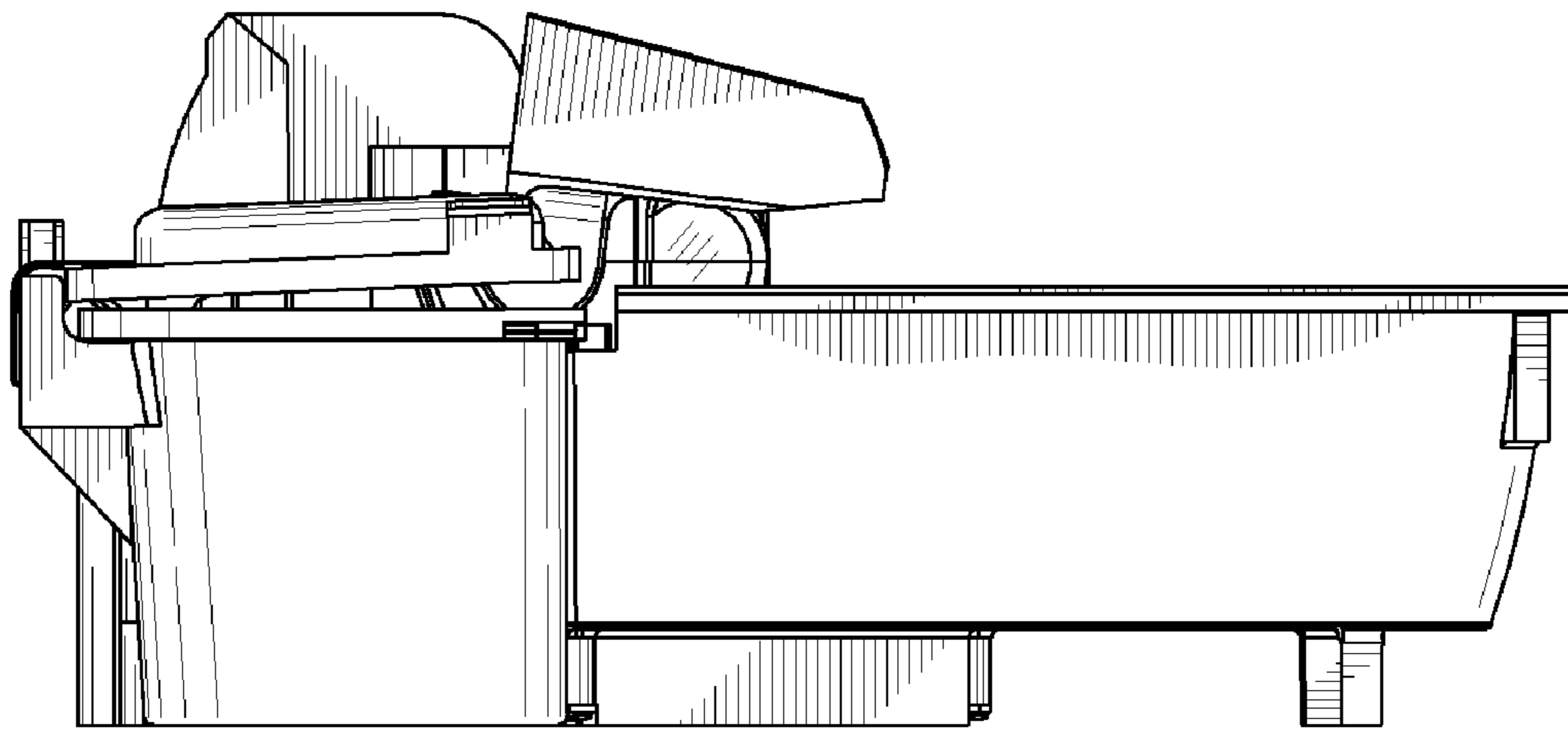


Fig.4

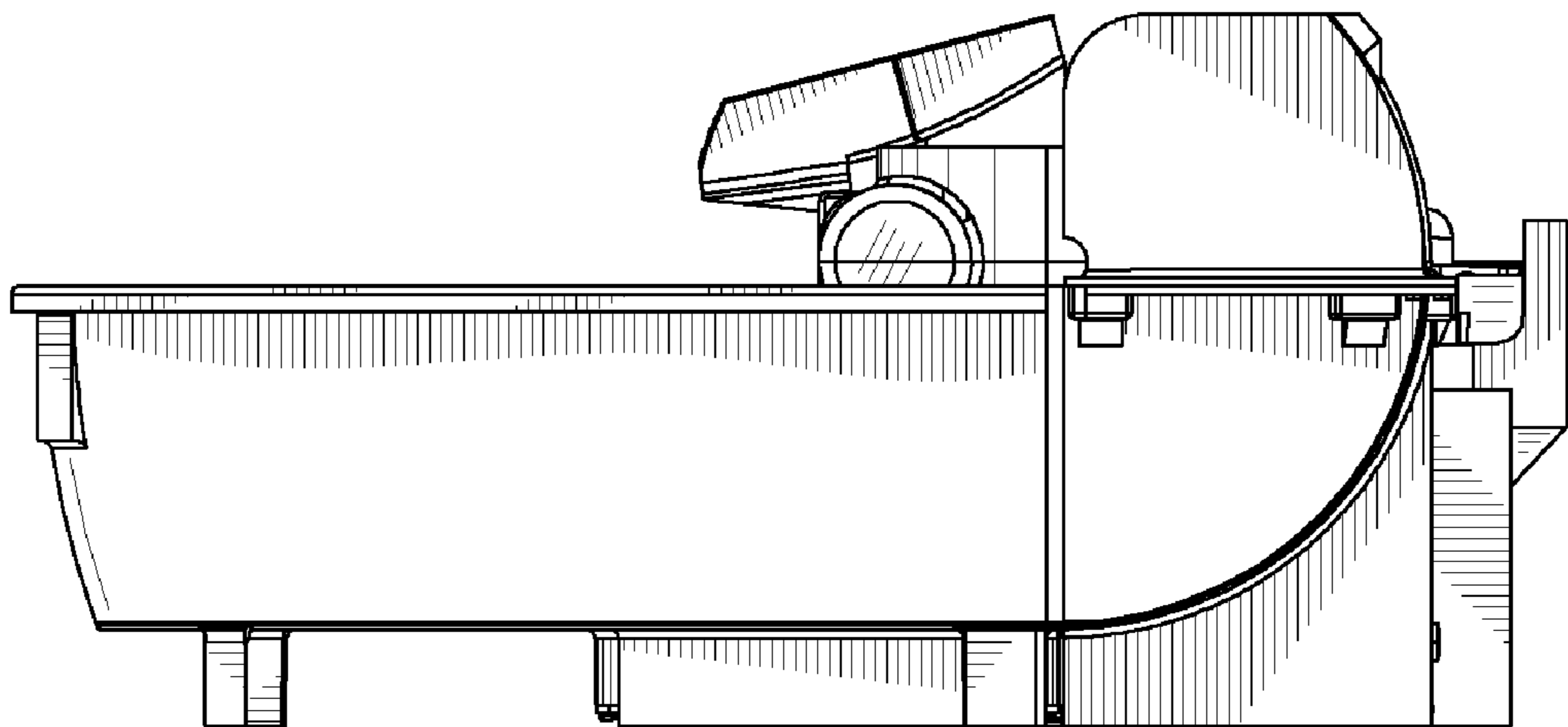


Fig.5

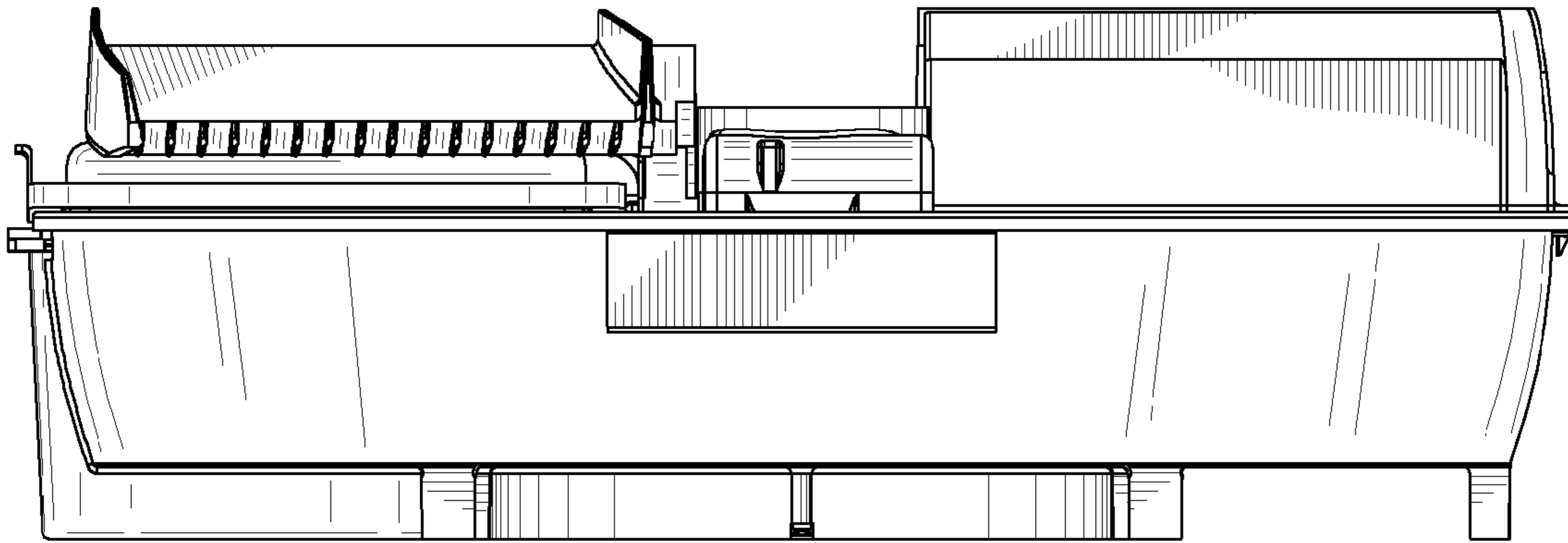


Fig.6

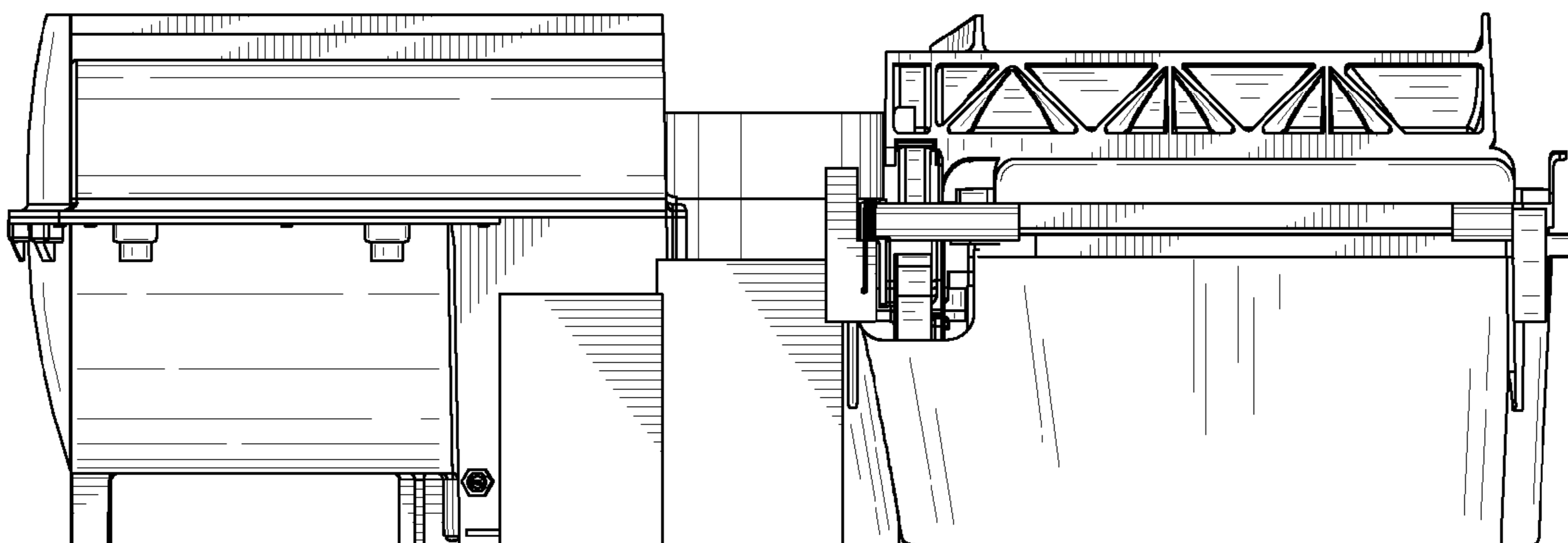


Fig.7