



US00D579157S

(12) **United States Design Patent**
Edwards

(10) **Patent No.:** **US D579,157 S**
(45) **Date of Patent:** **** Oct. 21, 2008**

(54) **DOG TOY**

(76) Inventor: **Philip Edwards**, 80 Lakeshore Rd.,
Grosse Pointe Shores, MI (US) 48236

(**) Term: **14 Years**

(21) Appl. No.: **29/279,002**

(22) Filed: **Apr. 17, 2007**

Related U.S. Application Data

(63) Continuation-in-part of application No. 11/372,829,
filed on Mar. 10, 2006, now abandoned.

(51) **LOC (8) Cl.** **30-99**

(52) **U.S. Cl.** **D30/160; D21/707**

(58) **Field of Classification Search** D30/160;
119/702, 706-711; D21/707, 386, 398, 455,
D21/464, 466, 713-714; 473/595, 612, 614;
D24/211-214

See application file for complete search history.

(56) **References Cited**

U.S. PATENT DOCUMENTS

- D256,503 S * 8/1980 Moustakas D24/212
- D274,468 S * 6/1984 Perry D24/211
- 4,513,014 A 4/1985 Edwards
- 4,557,219 A 12/1985 Edwards
- 4,771,733 A 9/1988 Axelrod
- 4,802,444 A 2/1989 Markham et al.
- D307,339 S 4/1990 Markham et al.
- D308,122 S 5/1990 Markham et al.
- 5,035,425 A 7/1991 Edwards
- D337,827 S * 7/1993 Seng D24/211
- RE34,352 E * 8/1993 Markham et al. 119/710
- 5,234,964 A 8/1993 Lin et al.
- D344,161 S 2/1994 Markham
- D348,412 S * 7/1994 Hazelton D10/113
- D349,786 S 8/1994 Markham
- D358,111 S * 5/1995 Gregory D10/113
- 5,419,283 A 5/1995 Leo

- D368,339 S * 3/1996 O'Rourke et al. D30/160
- D370,243 S * 5/1996 Thompson D21/707
- 5,640,931 A 6/1997 Markham
- 5,647,302 A 7/1997 Shipp
- 5,706,762 A 1/1998 Dokken
- 5,707,696 A 1/1998 Boxler
- 5,832,877 A 11/1998 Markham
- 5,865,146 A 2/1999 Markham
- 5,904,118 A 5/1999 Markham
- 5,912,285 A 6/1999 Godsey
- 5,947,061 A 9/1999 Markham et al.
- D417,319 S * 11/1999 Weiss, Jr. D30/160
- 6,129,053 A 10/2000 Markham et al.
- 6,148,771 A * 11/2000 Costello 119/709
- 6,202,598 B1 3/2001 Willinger
- 6,360,693 B1 3/2002 Long, III
- 6,439,186 B1 8/2002 Owen et al.
- 6,546,896 B1 4/2003 Markham
- D475,464 S * 6/2003 Chen D24/211
- D511,029 S * 10/2005 Willinger D30/160
- 2004/0244719 A1 12/2004 Jager

FOREIGN PATENT DOCUMENTS

EP 0564764 10/1993

* cited by examiner

Primary Examiner—Cathy Anne MacCormac
(74) *Attorney, Agent, or Firm*—Gifford, Krass, Sprinkle,
Anderson & Citkowski, P.C.

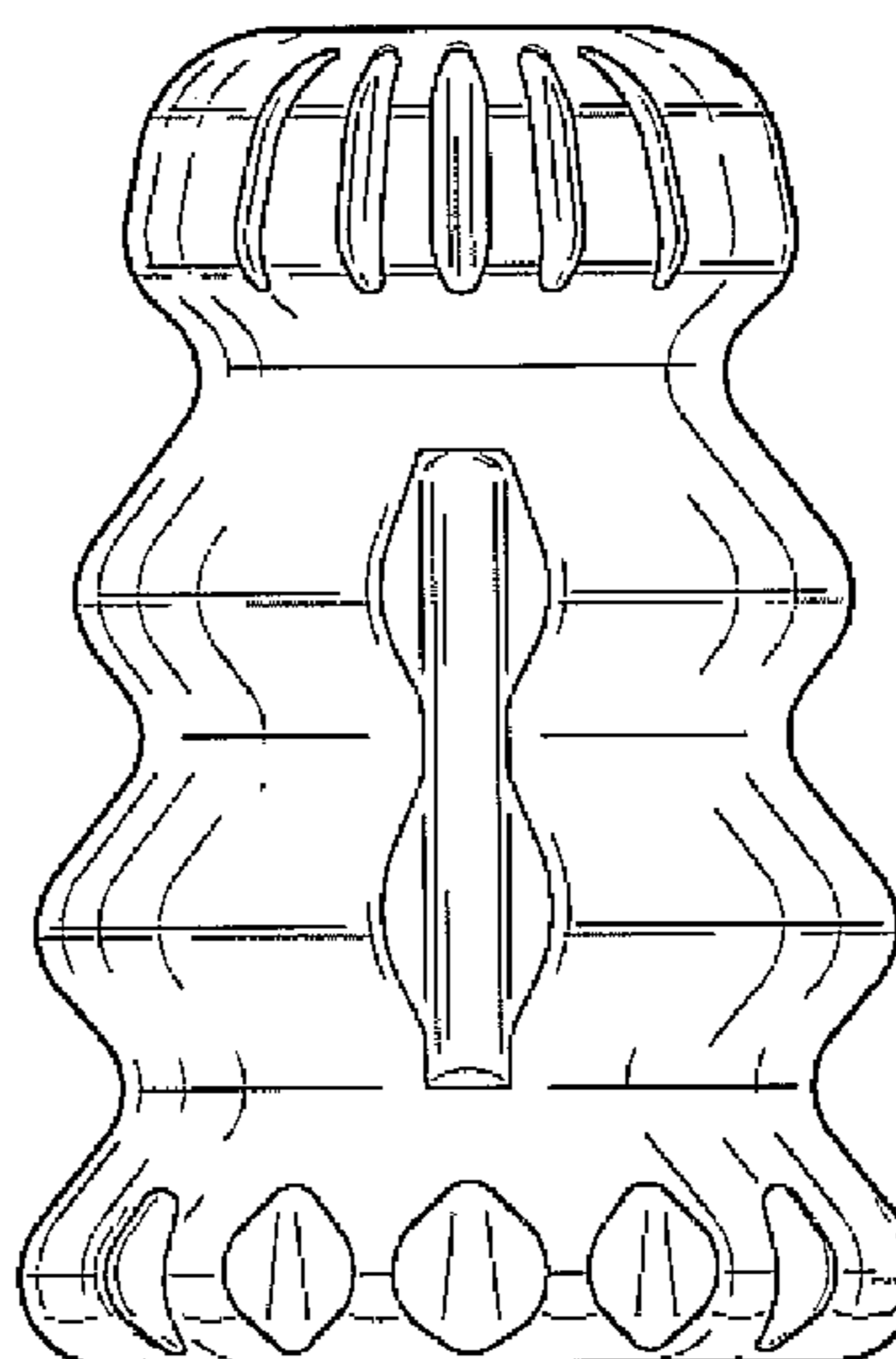
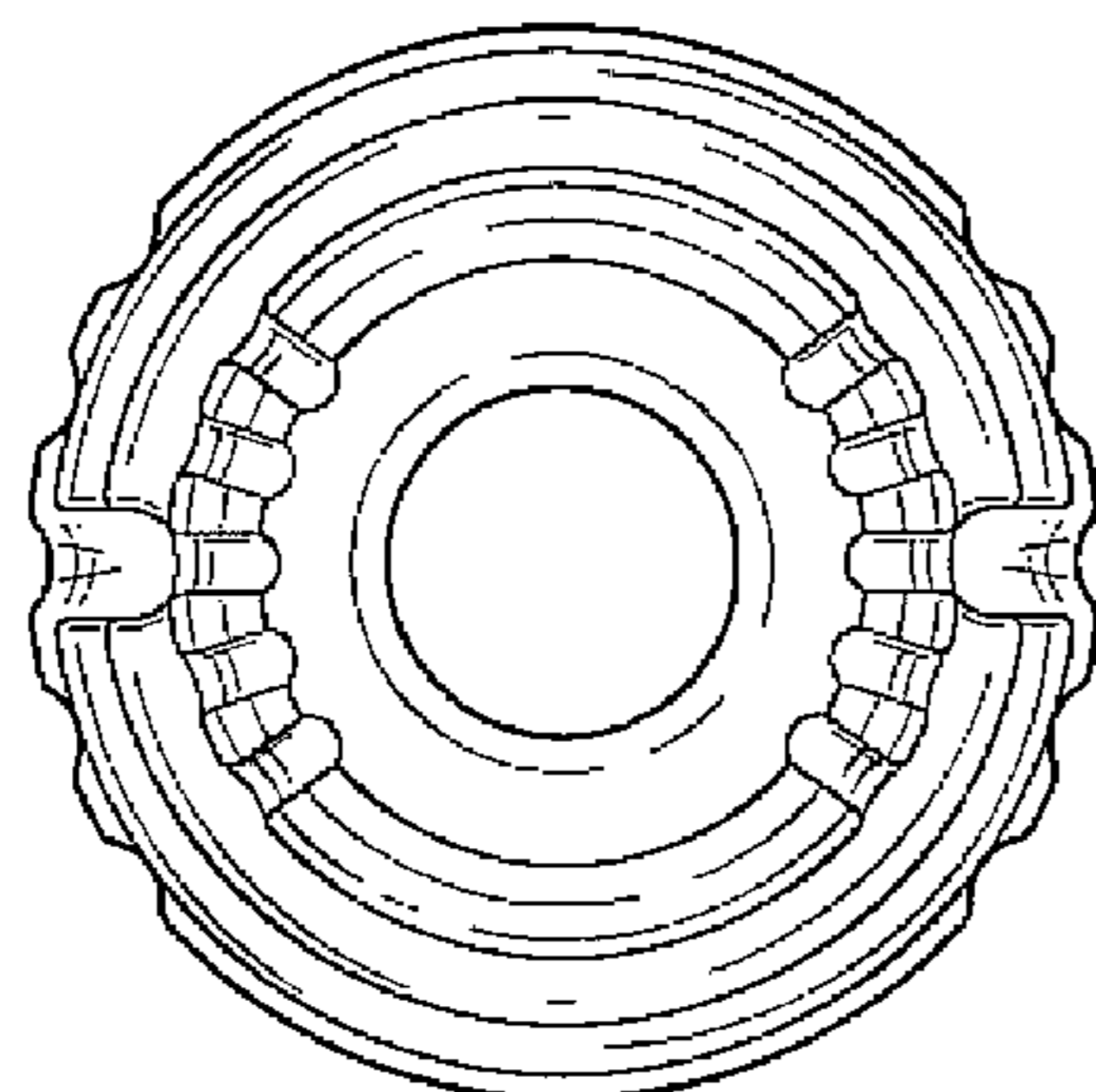
(57) **CLAIM**

The ornamental design for a dog toy, as shown and described.

DESCRIPTION

FIG. 1 is a top view of a dog toy of the present invention;
FIG. 2 is a front view thereof, the rear view being identical;
and,
FIG. 3 is a left side view thereof, the right side view being
identical.

1 Claim, 1 Drawing Sheet



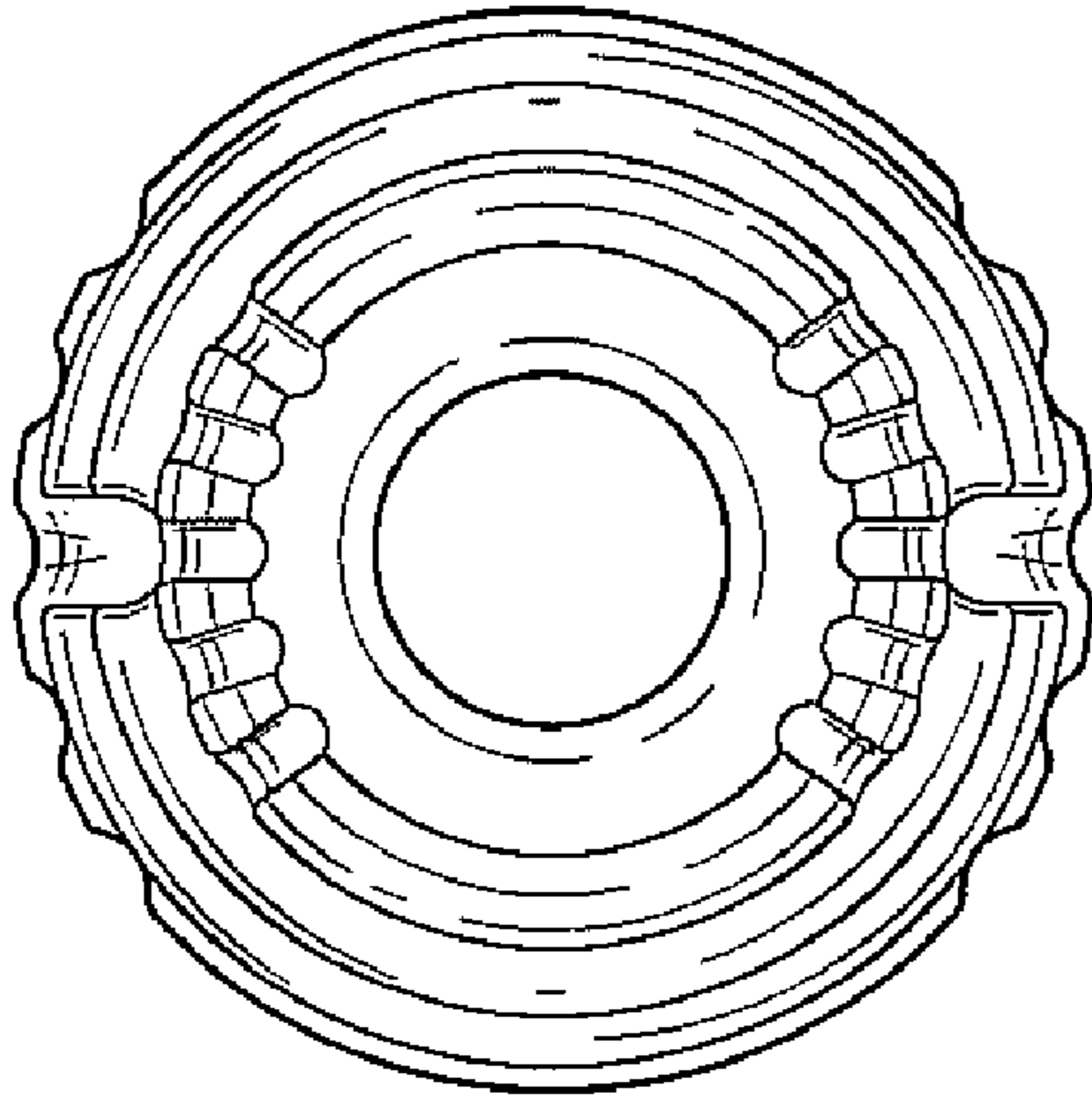


Fig-1

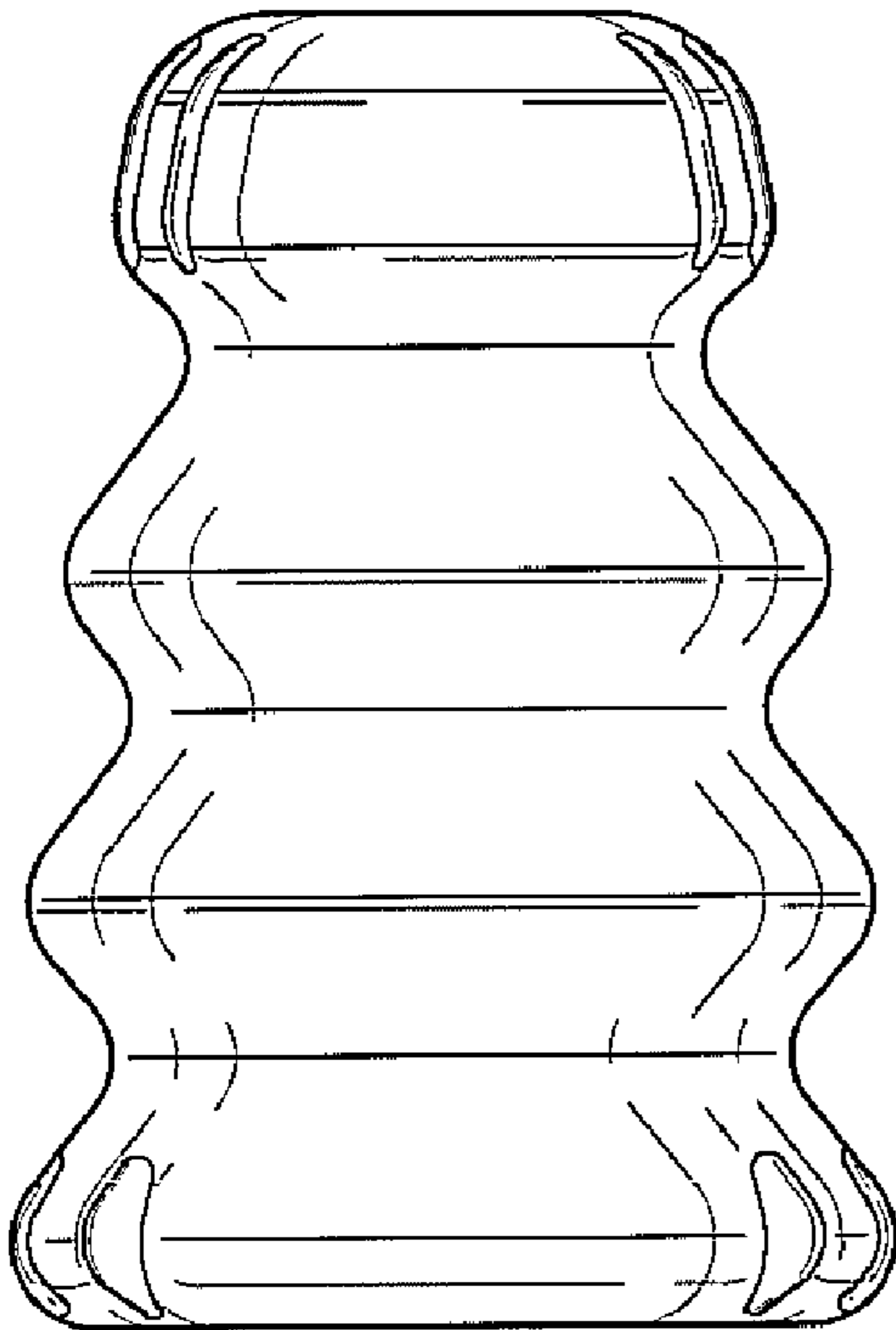


Fig-2

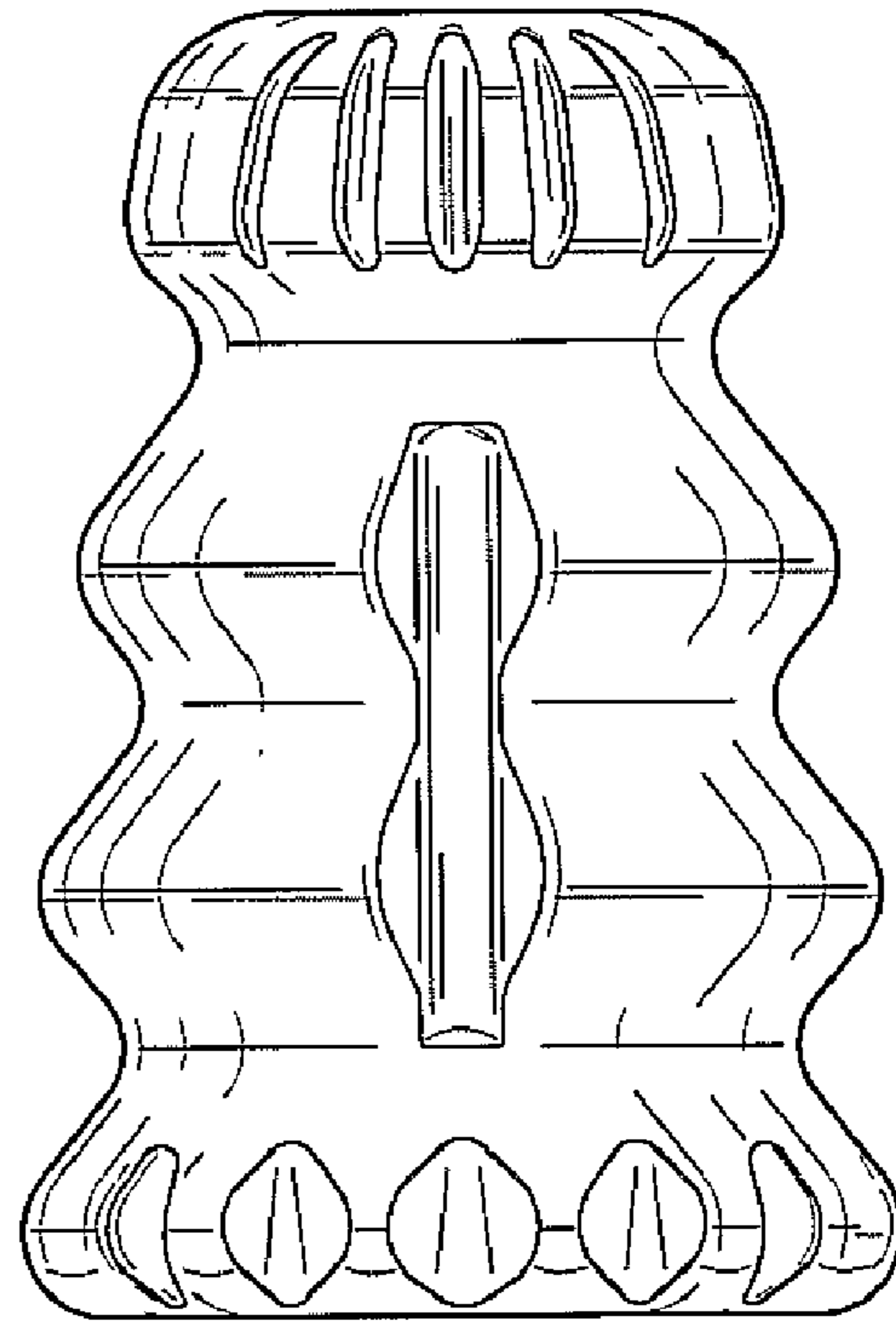


Fig-3