



US00D579151S

(12) **United States Design Patent**
Leung

(10) **Patent No.:** **US D579,151 S**

(45) **Date of Patent:** **** Oct. 21, 2008**

(54) **HAIR DRYER**

(75) Inventor: **Anthony Kit Lun Leung**, North Point
(CN)

(73) Assignee: **Conair Corporation**, Stamford, CT
(US)

(**) Term: **14 Years**

(21) Appl. No.: **29/285,757**

(22) Filed: **Apr. 9, 2007**

(51) **LOC (8) Cl.** **28-03**

(52) **U.S. Cl.** **D28/13**

(58) **Field of Classification Search** D28/12-19;
34/96-101; 392/380, 381, 382, 383, 384,
392/385; 219/222

See application file for complete search history.

(56) **References Cited**

U.S. PATENT DOCUMENTS

D259,665 S *	6/1981	Cousins	D28/13
D323,039 S *	1/1992	Lerner	D28/13
D325,794 S *	4/1992	Lerner	D28/13
D367,128 S *	2/1996	Rizzuto	D28/13
D383,874 S *	9/1997	Rizzuto	D28/18

D398,717 S *	9/1998	Kling et al.	D28/13
D399,026 S *	9/1998	Kip	D28/13
D403,808 S *	1/1999	Kip	D28/18
D404,522 S *	1/1999	Kip	D28/18
5,953,829 A *	9/1999	Van Den Brug et al.	34/97
D425,662 S *	5/2000	Cheung	D28/13

* cited by examiner

Primary Examiner—Janice E. Seeger

Assistant Examiner—Zenia I. Bennett

(74) *Attorney, Agent, or Firm*—Lawrence Cruz

(57) **CLAIM**

The ornamental design for a hair dryer, as shown.

DESCRIPTION

FIG. 1 is a perspective view of a hair dryer showing my new design;

FIG. 2 is a right side view thereof;

FIG. 3 is a left side view thereof;

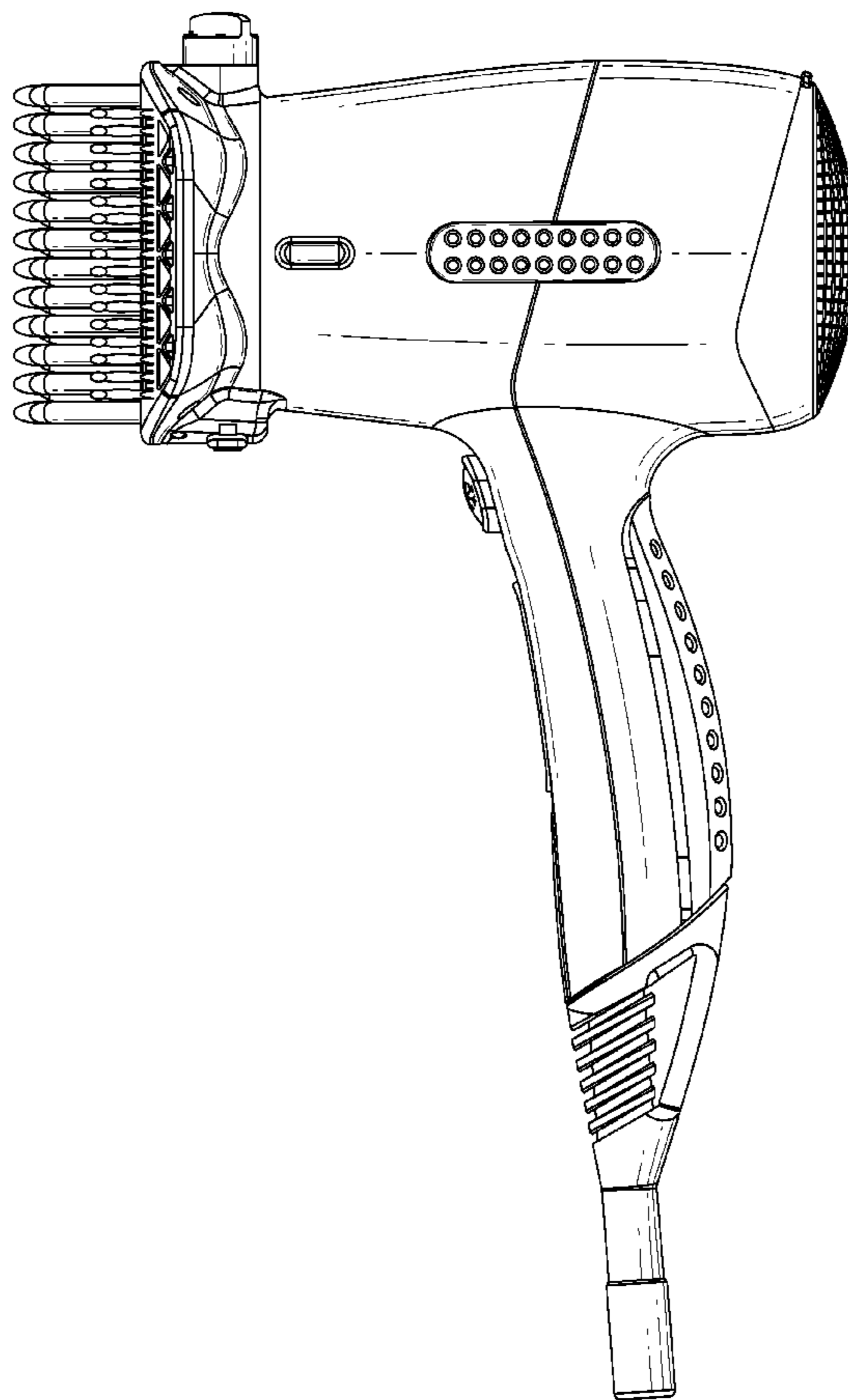
FIG. 4 is a front view thereof;

FIG. 5 is a top view thereof;

FIG. 6 is a rear view thereof; and,

FIG. 7 is a bottom view.

1 Claim, 7 Drawing Sheets



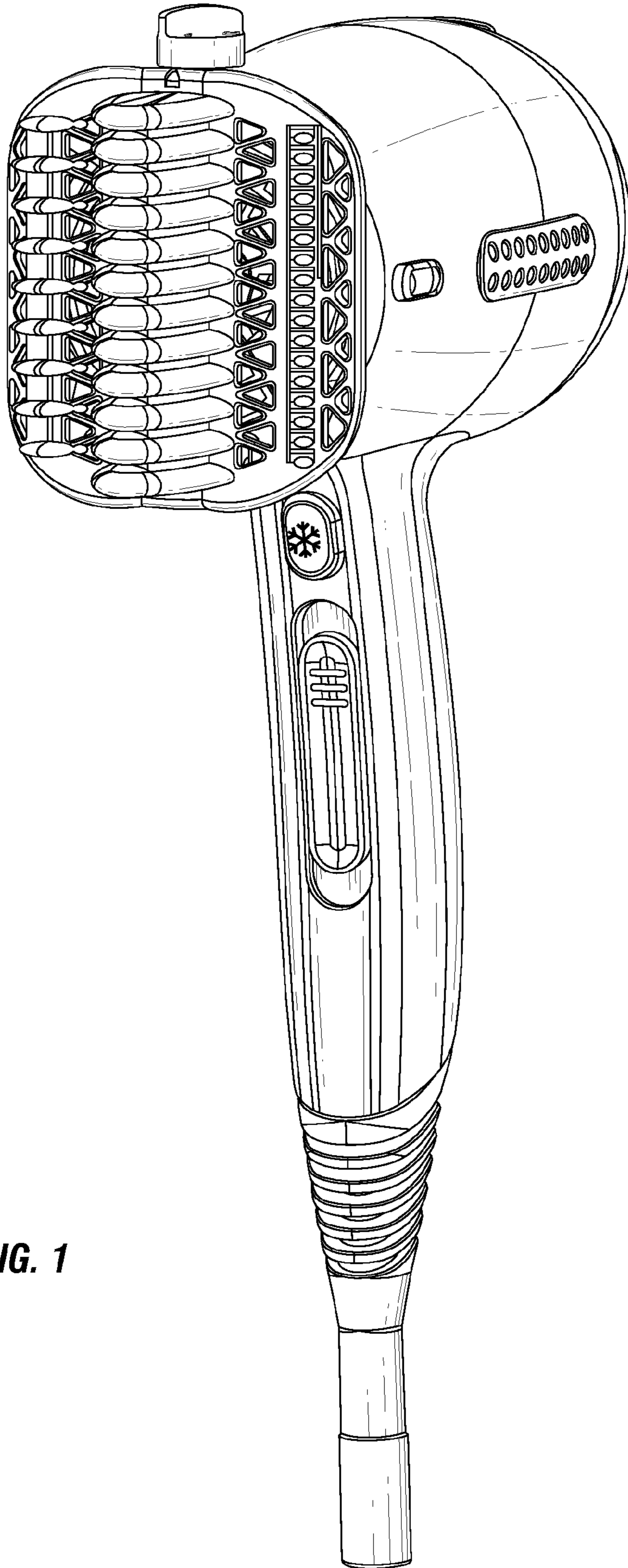


FIG. 1

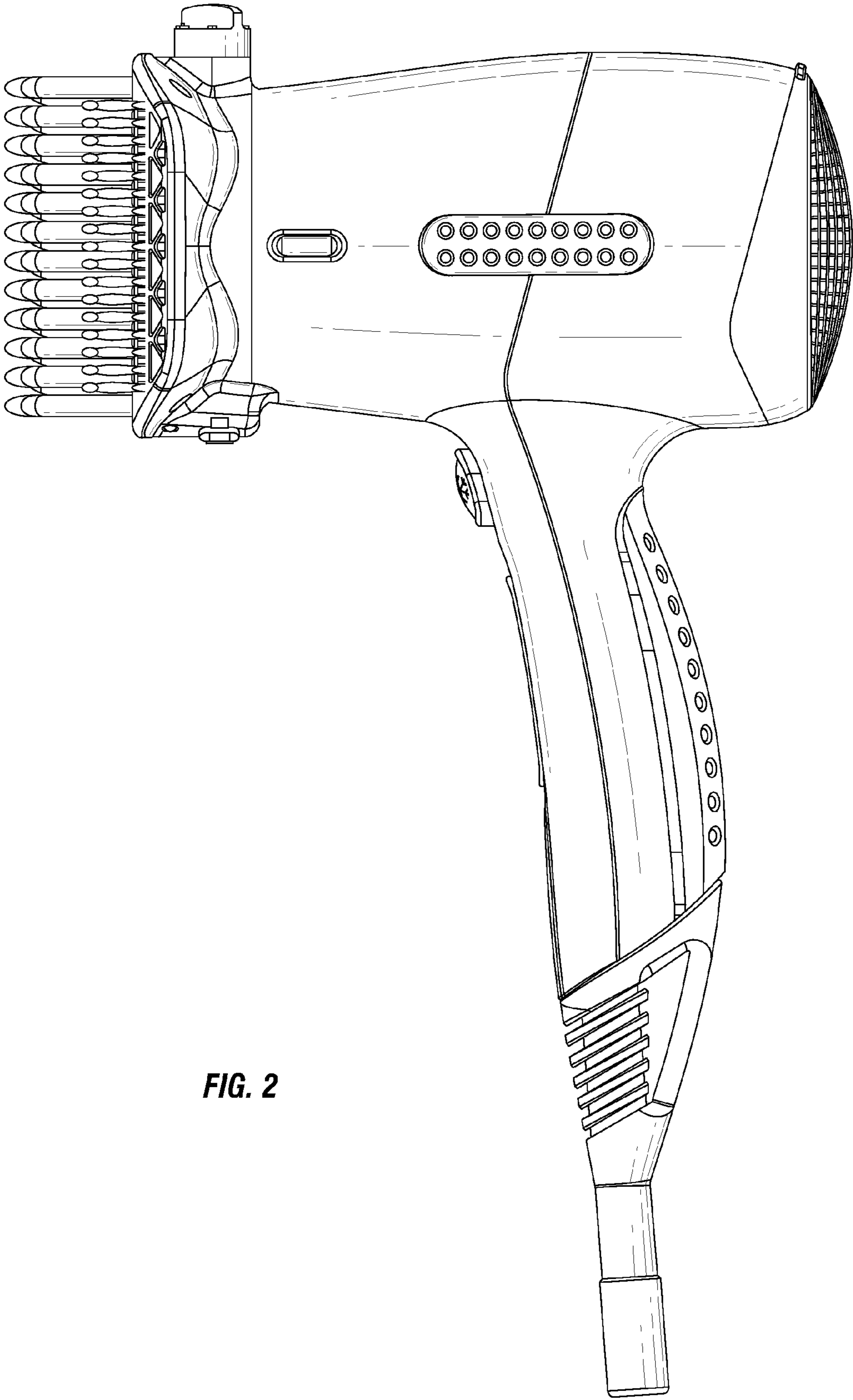


FIG. 2

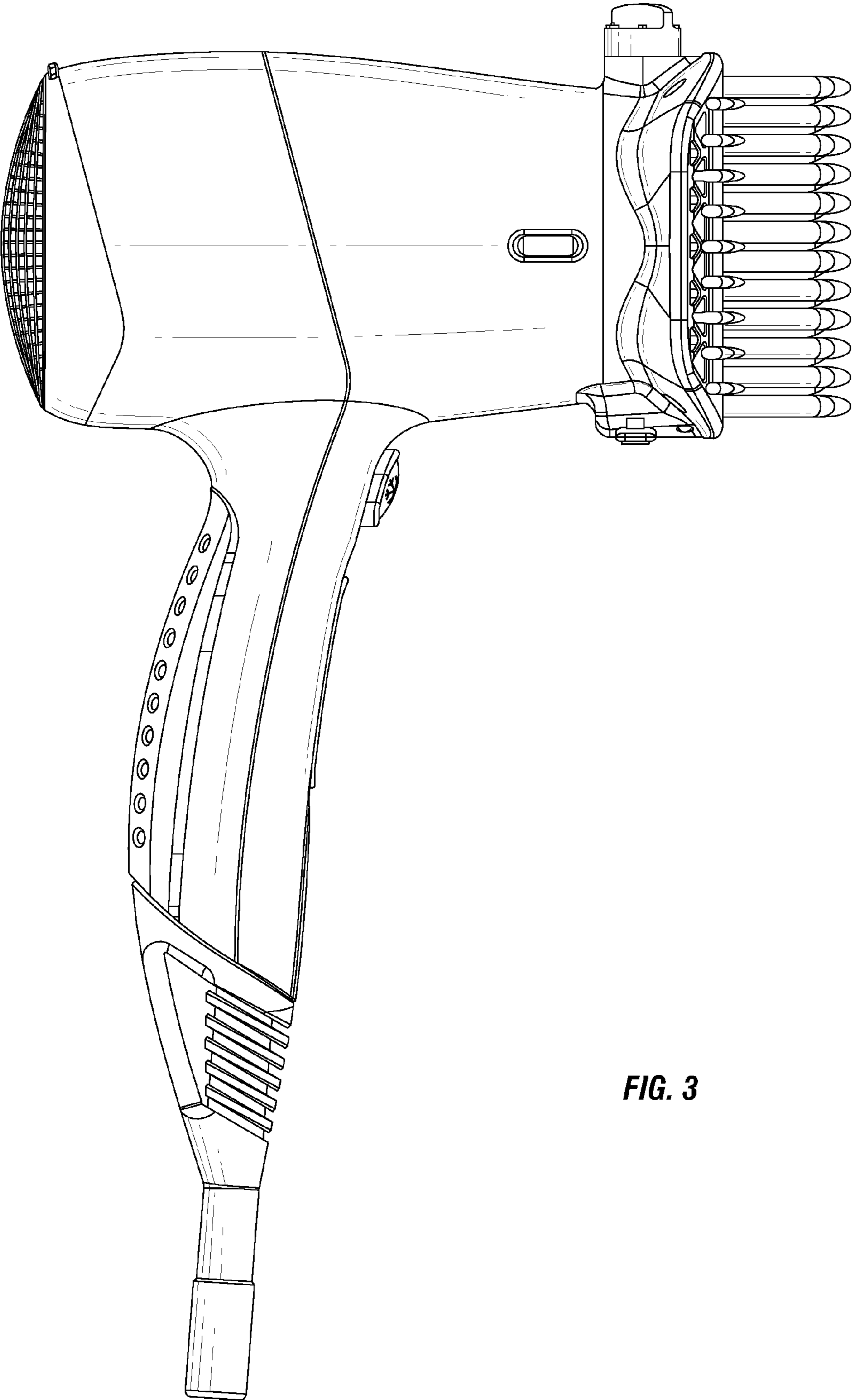


FIG. 3

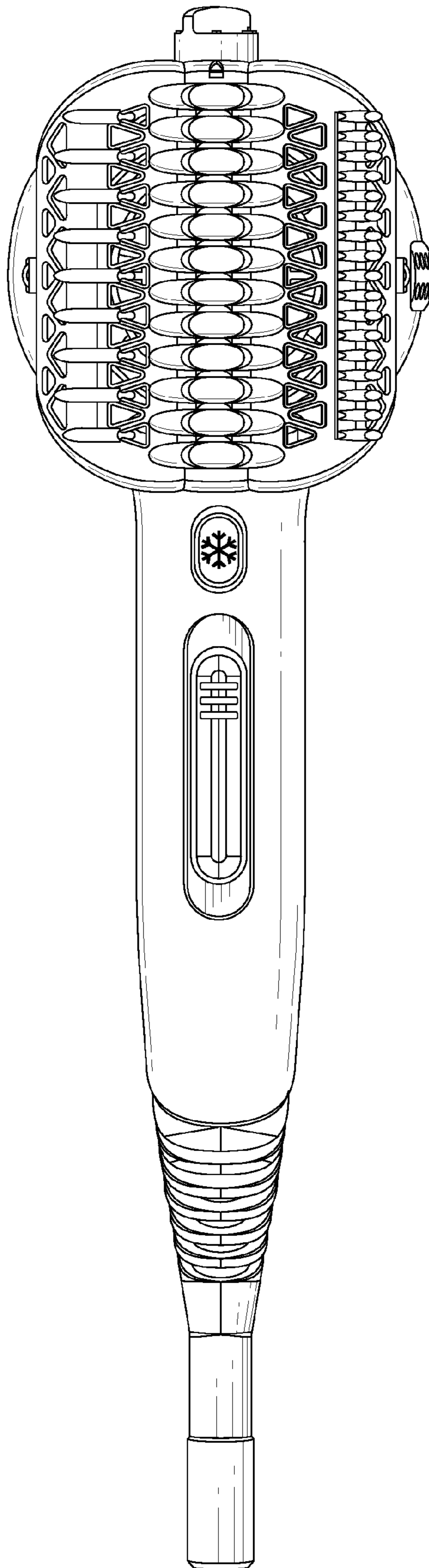


FIG. 4

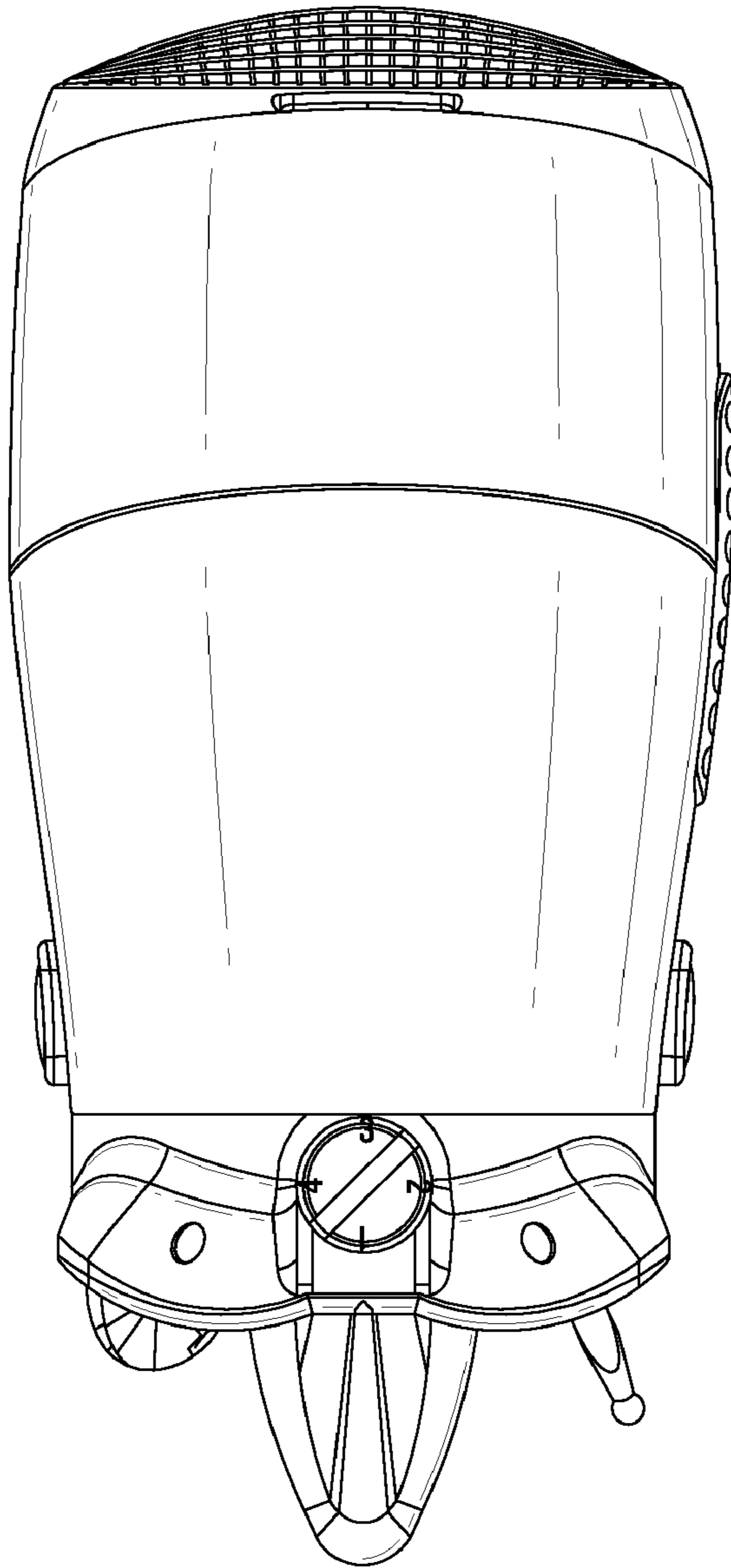


FIG. 5

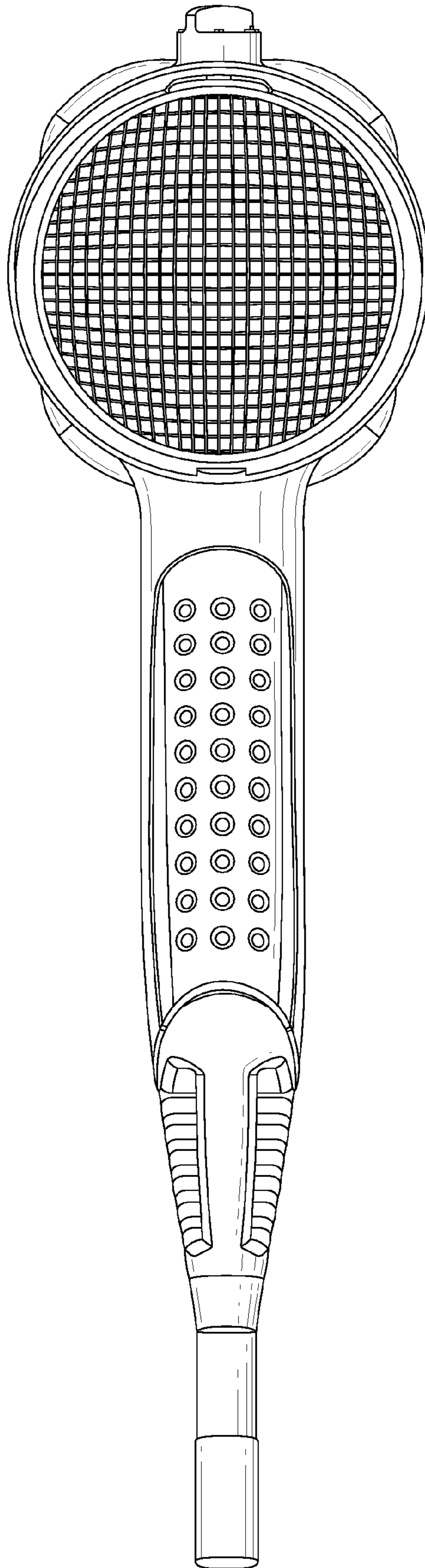


FIG. 6

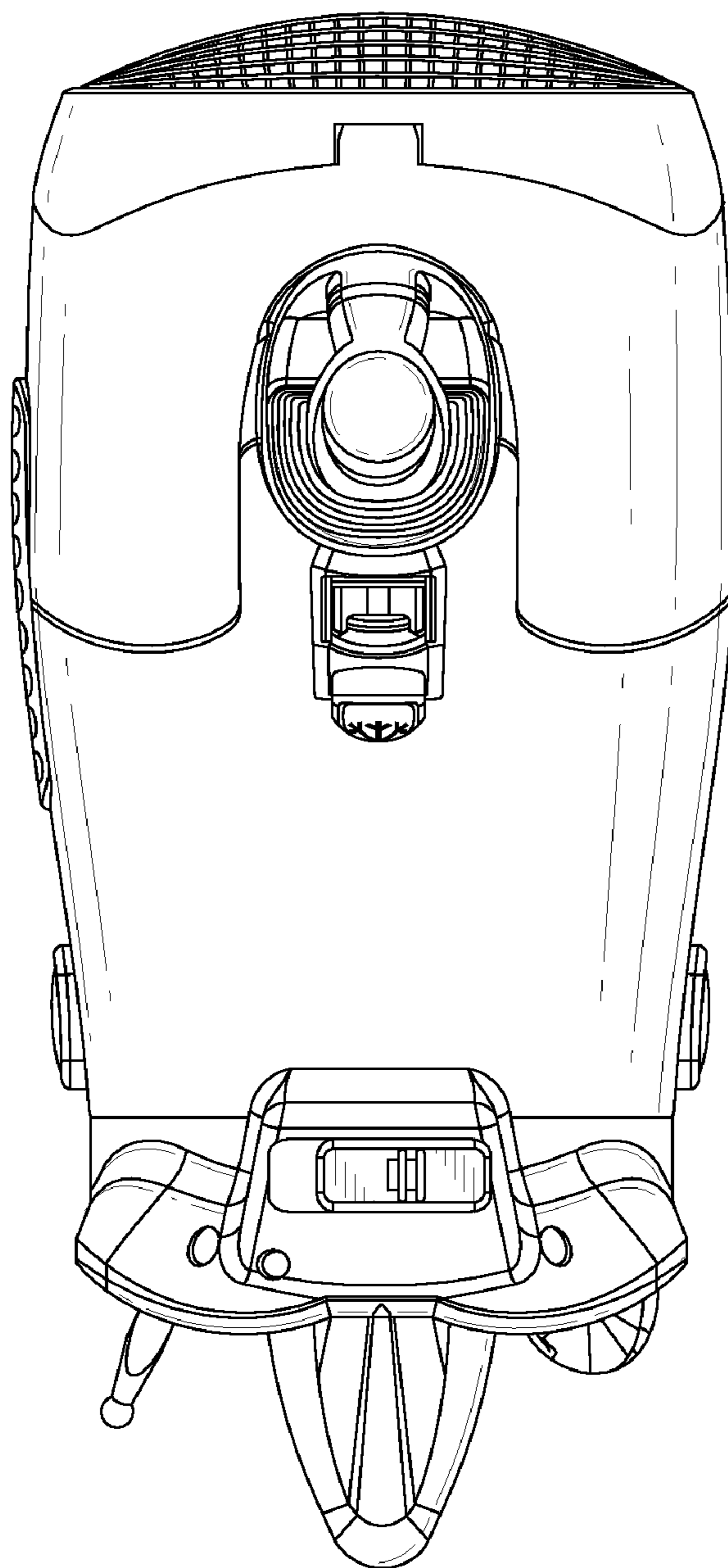


FIG. 7