



US00D579150S

(12) **United States Design Patent**  
**Lin et al.**

(10) **Patent No.:** **US D579,150 S**  
(45) **Date of Patent:** **\*\* Oct. 21, 2008**

(54) **MACHINE HOUSING**

(75) Inventors: **Mei Lin**, Glenview, IL (US); **Robert Patrick Muncer**, Palatine, IL (US)

(73) Assignee: **Republic Tobacco L.P.**, Glenview, IL (US)

(\*\*) Term: **14 Years**

(21) Appl. No.: **29/305,715**

(22) Filed: **Mar. 26, 2008**

(51) **LOC (8) Cl.** ..... **27-06**

(52) **U.S. Cl.** ..... **D27/194; D27/184**

(58) **Field of Classification Search** ..... 131/329,  
131/70-75, 58; D27/172, 183, 184, 194  
See application file for complete search history.

(56) **References Cited**

**U.S. PATENT DOCUMENTS**

2,551,095	A	5/1951	Chaze	
2,714,383	A *	8/1955	Gee	131/70
2,731,971	A	1/1956	Kastner	
3,127,900	A *	4/1964	Kastner	131/70
3,688,777	A	9/1972	Kastner	
D241,354	S *	9/1976	Gee	D27/194
4,411,278	A	10/1983	Kastner	
5,088,506	A *	2/1992	Kastner	131/70
5,526,825	A	6/1996	Ruppert et al.	
5,657,768	A	8/1997	Neumann et al.	
6,557,560	B2 *	5/2003	Kastner	131/73
D553,793	S *	10/2007	Lin	D27/194
2002/0189623	A1 *	12/2002	Kastner	131/70

**FOREIGN PATENT DOCUMENTS**

CA	643473	6/1962
CA	1128396	7/1982

DE	1757504	4/1971
EP	0584805 A1	3/1994
EP	1604576 A2	12/2005
WO	WO 2006/130367 A2	12/2006

**OTHER PUBLICATIONS**

- Photograph No. 1, front and top view of Premier Cigarette Making Machine.
- Photograph No. 2, front and top view of Supermatic Cigarette Making Machine.
- Photograph No. 3, front and top view of Premier Supermatic Cigarette Making Machine.
- Photograph No. 4, top view of Magnum Injector Cigarette Making Machine.

\* cited by examiner

*Primary Examiner*—Jennifer Rivard

(74) *Attorney, Agent, or Firm*—Drinker Biddle & Reath LLP

(57) **CLAIM**

The ornamental design for a machine housing, as shown and described.

**DESCRIPTION**

FIG. 1 is a front perspective view of a machine housing showing my new design;

FIG. 2 is a front elevation view thereof;

FIG. 3 is a rear elevation view thereof;

FIG. 4 is a left side elevation view thereof;

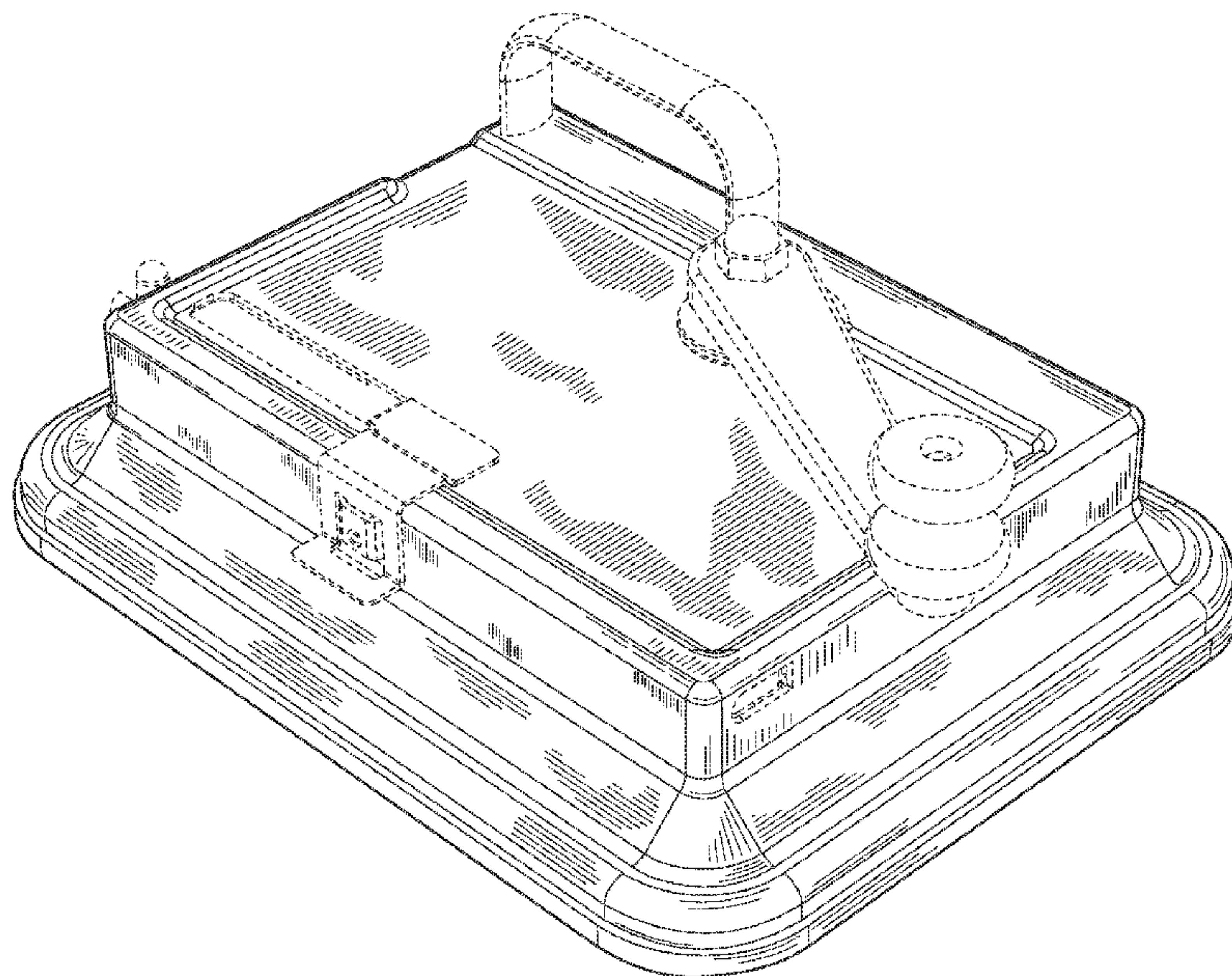
FIG. 5 is a right side elevation view thereof;

FIG. 6 is a top plan view thereof; and,

FIG. 7 is a bottom plan view thereof,

wherein the broken lines in the Figures are for illustrative purposes only and form no part of the claimed design.

**1 Claim, 4 Drawing Sheets**



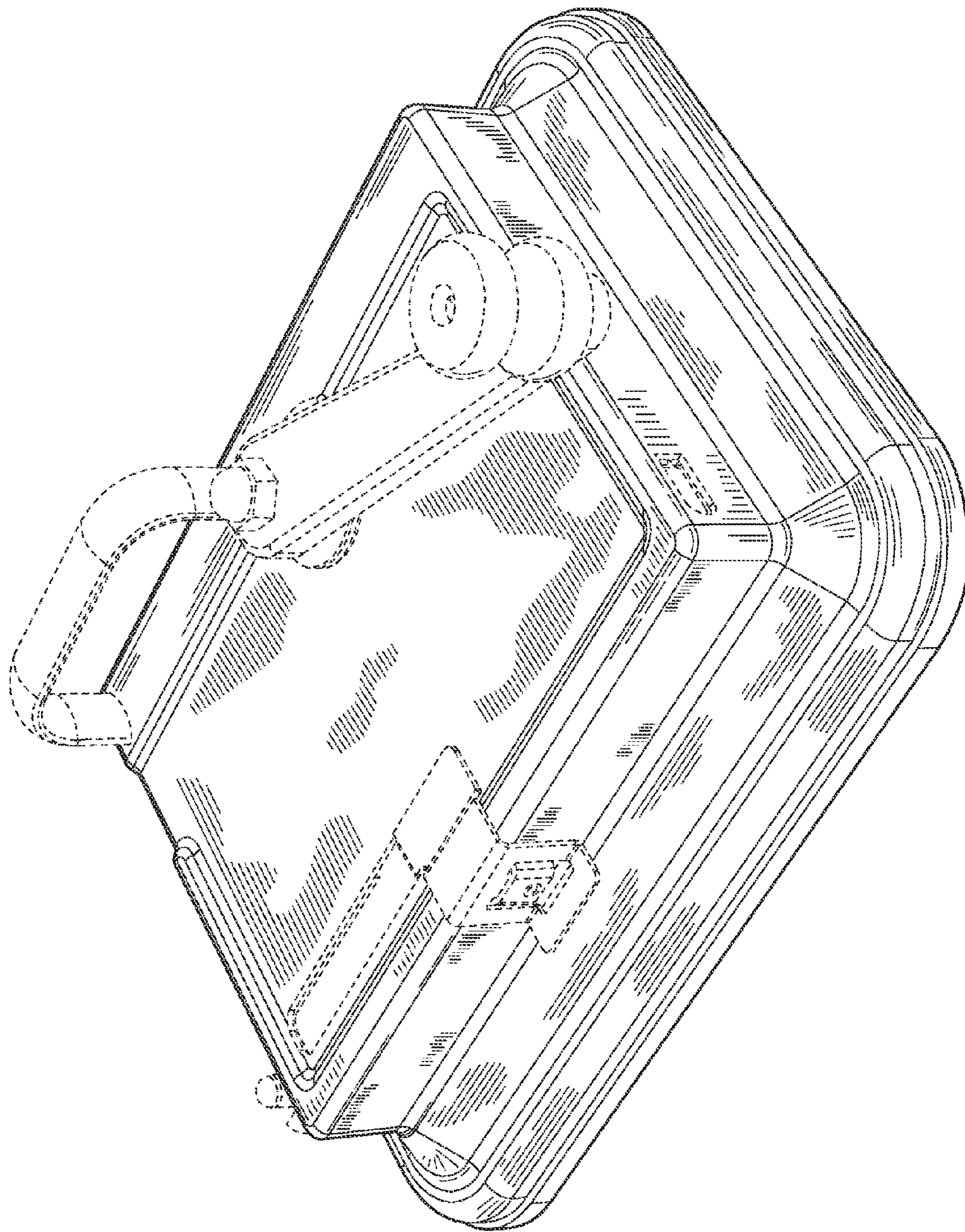


FIG. 1



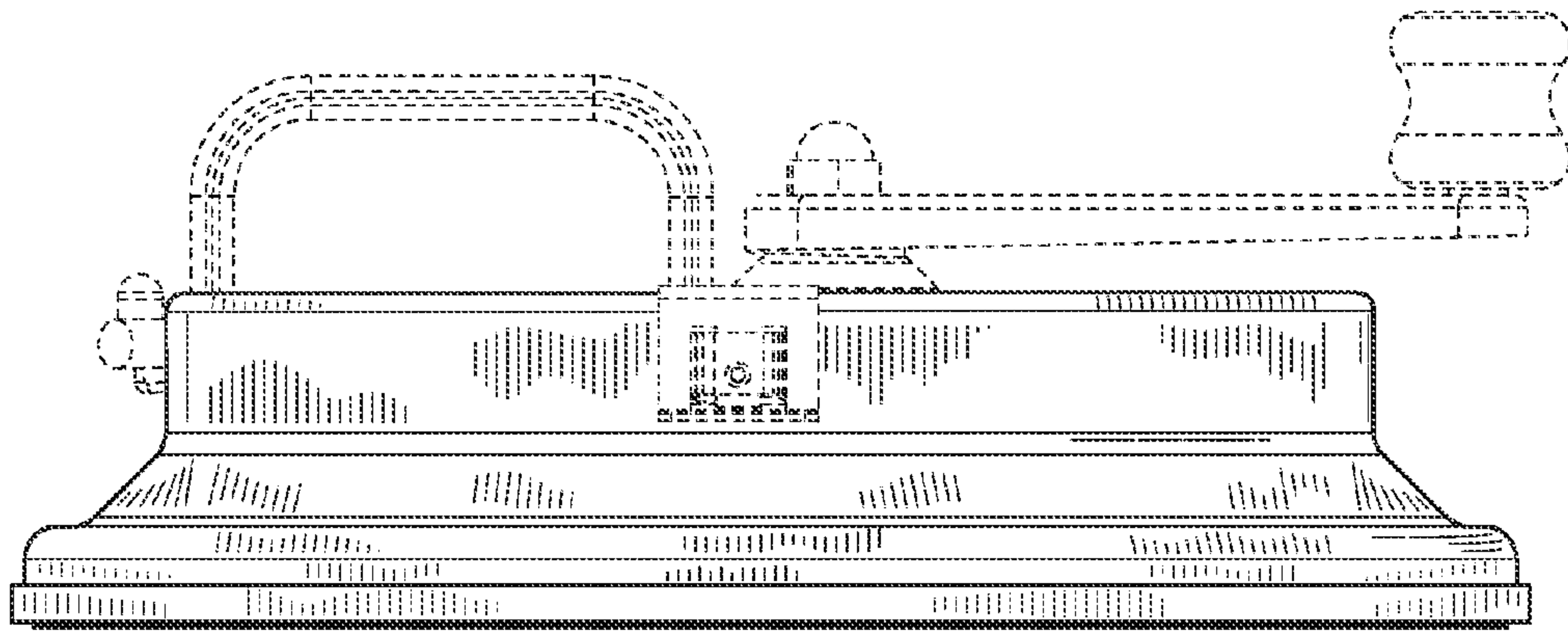


FIG. 2

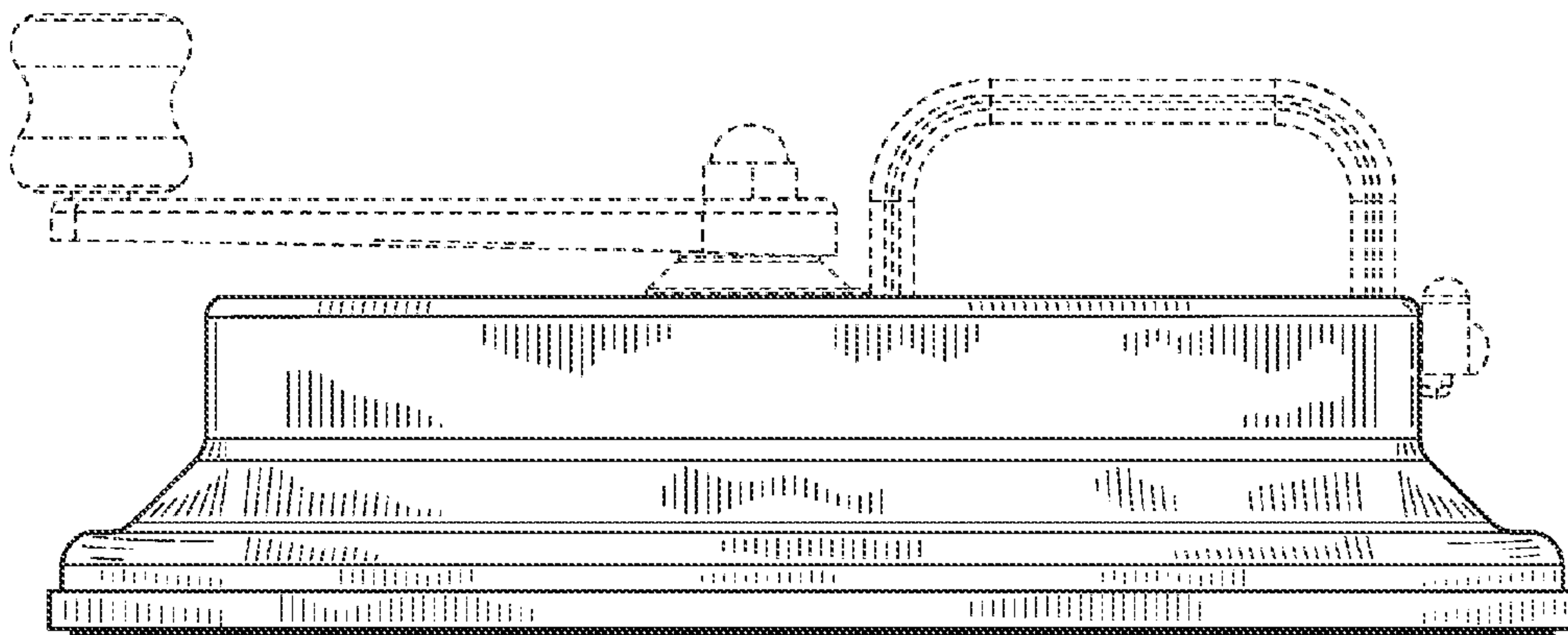


FIG. 3

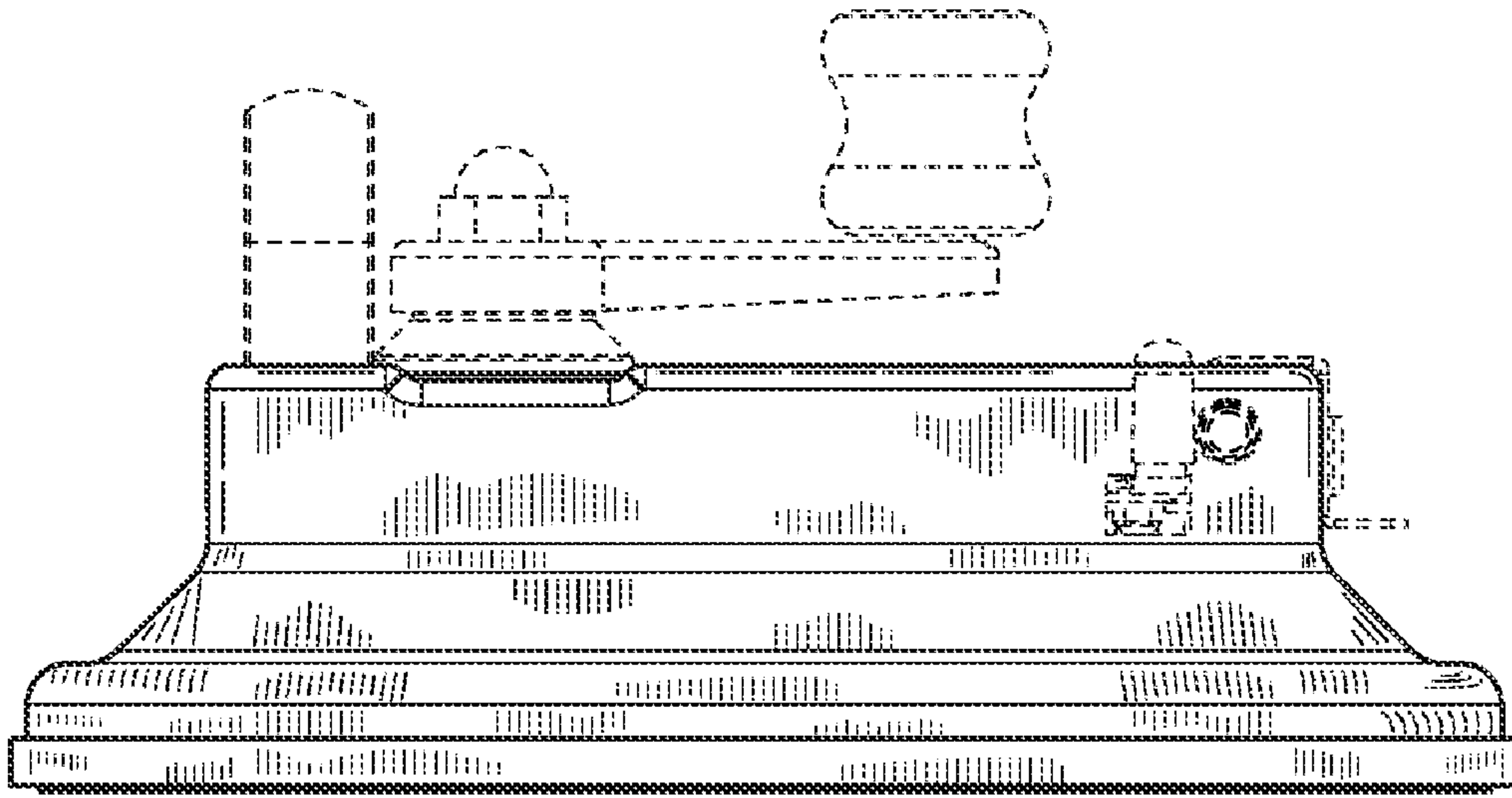


FIG. 4

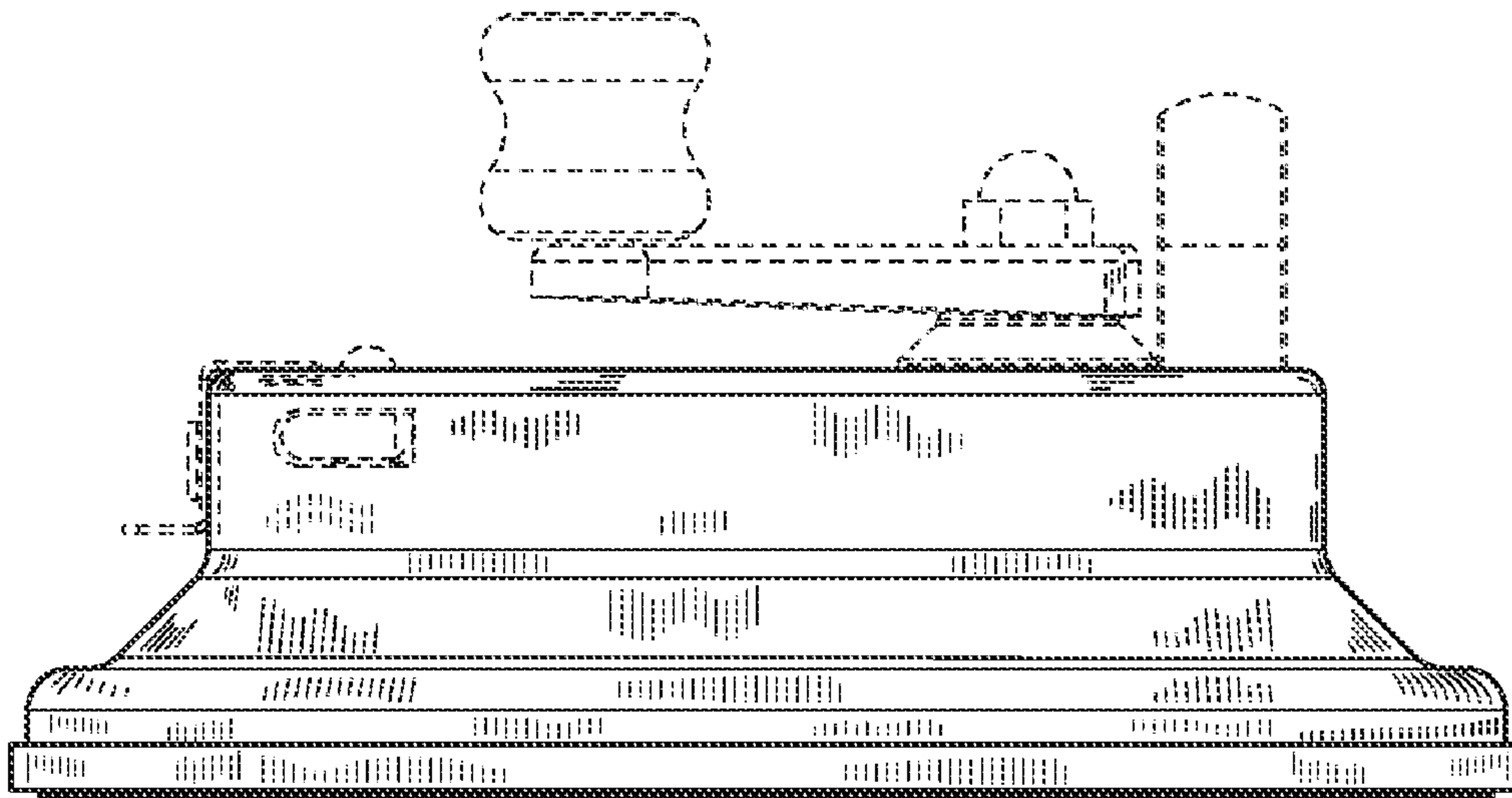


FIG. 5

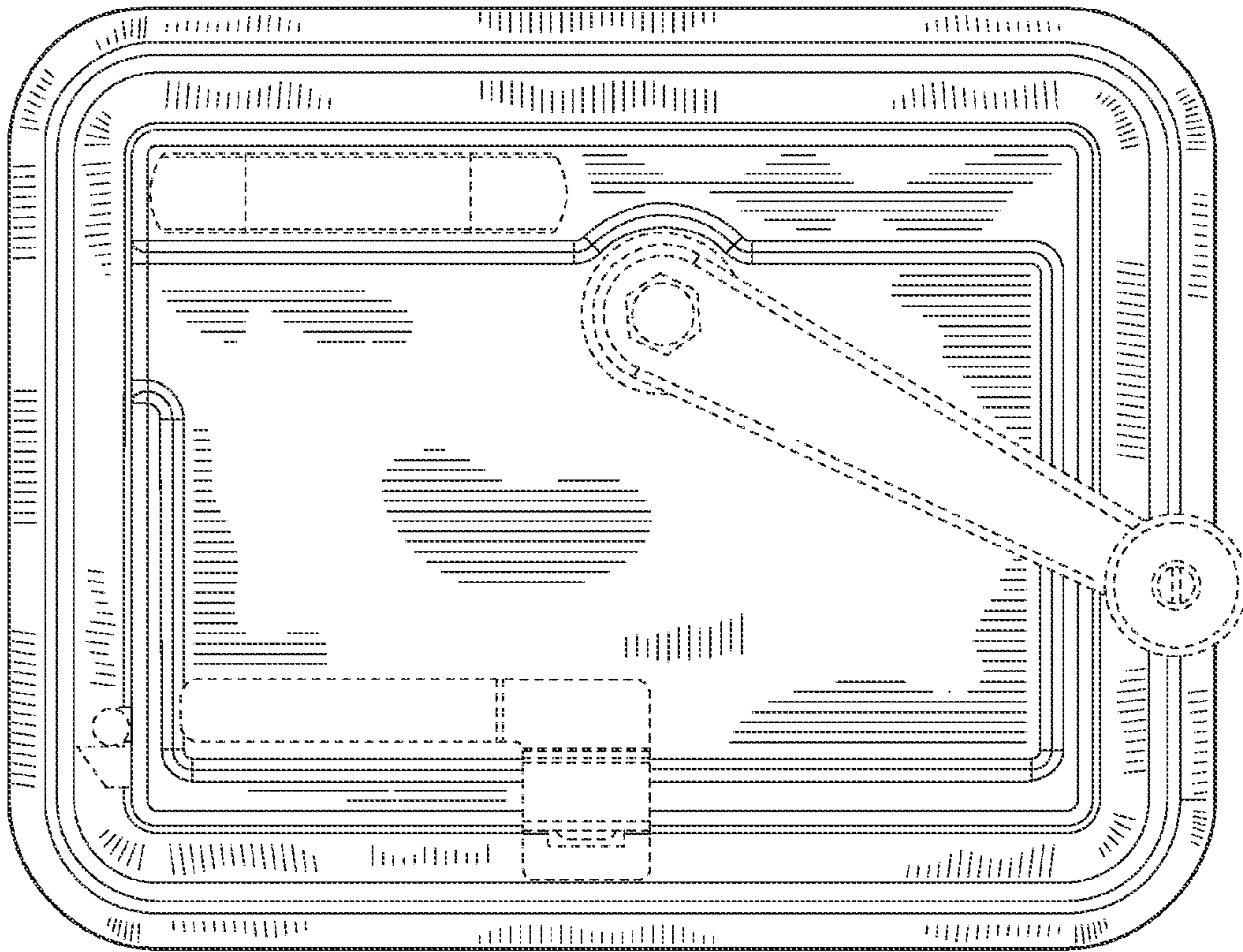


FIG. 6

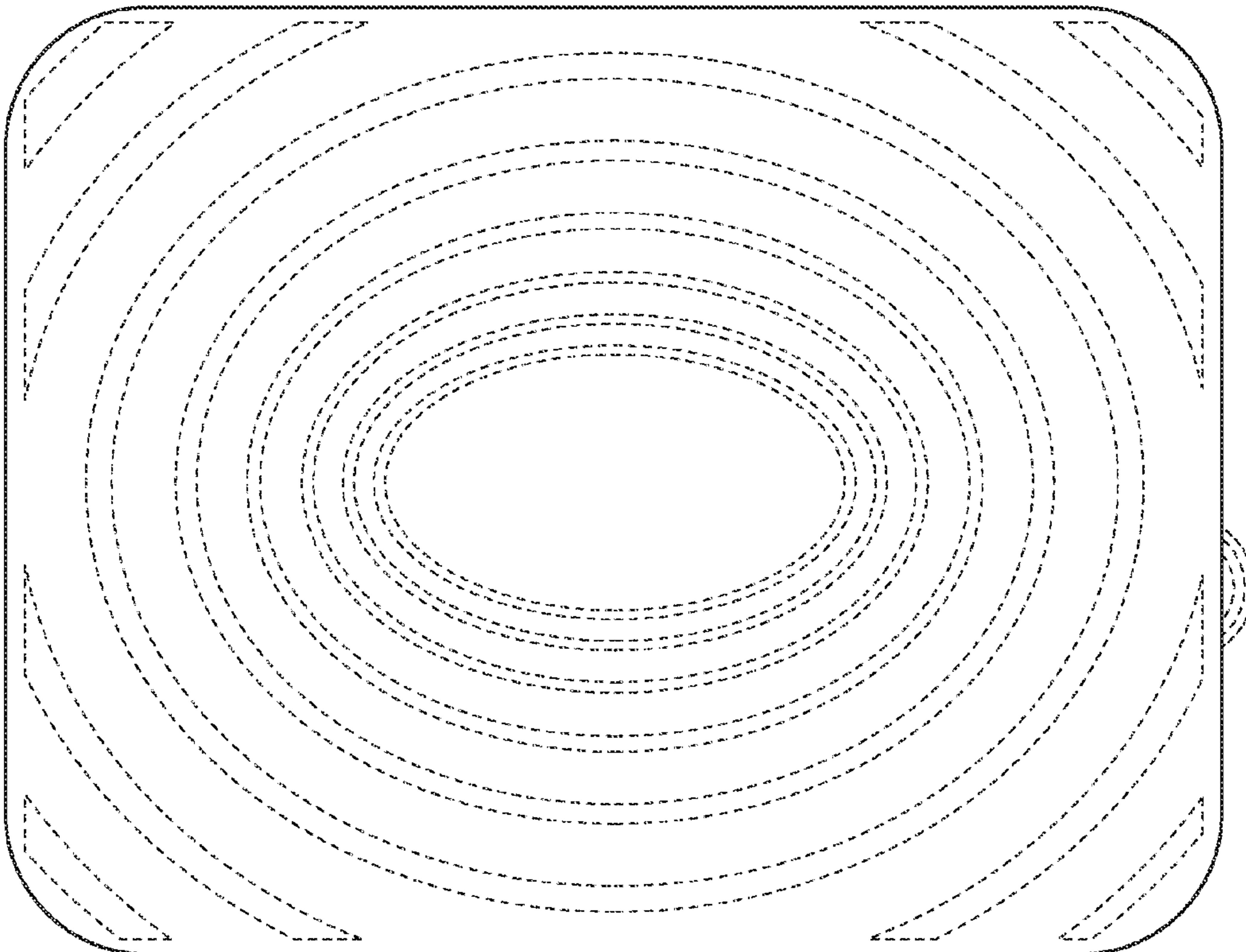


FIG. 7